



ISSUED NO. SR600 EUO-1

Parts Catalogue

MOWER

(EXPORT MODEL)

SR600

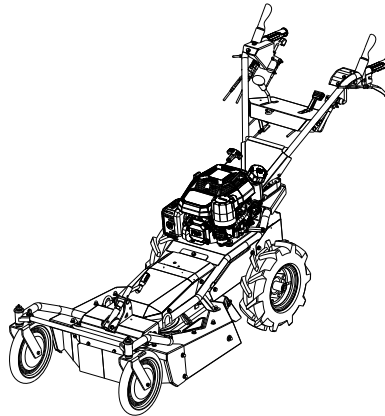
Serial Number : RN23K00001~

MODEL

CODE

SR600/H EUO

0355-○○○○



CONTENTS

Fig. 1	FRAME	1
Fig. 2	TIRE	11
Fig. 3	FRONT TIRE	12
Fig. 4	ROTARY COVER	14
Fig. 5	HANDLE	21
Fig. 6	TRANSMISSION	26
Fig. 7	Label	36



Update : **Sep.2024**

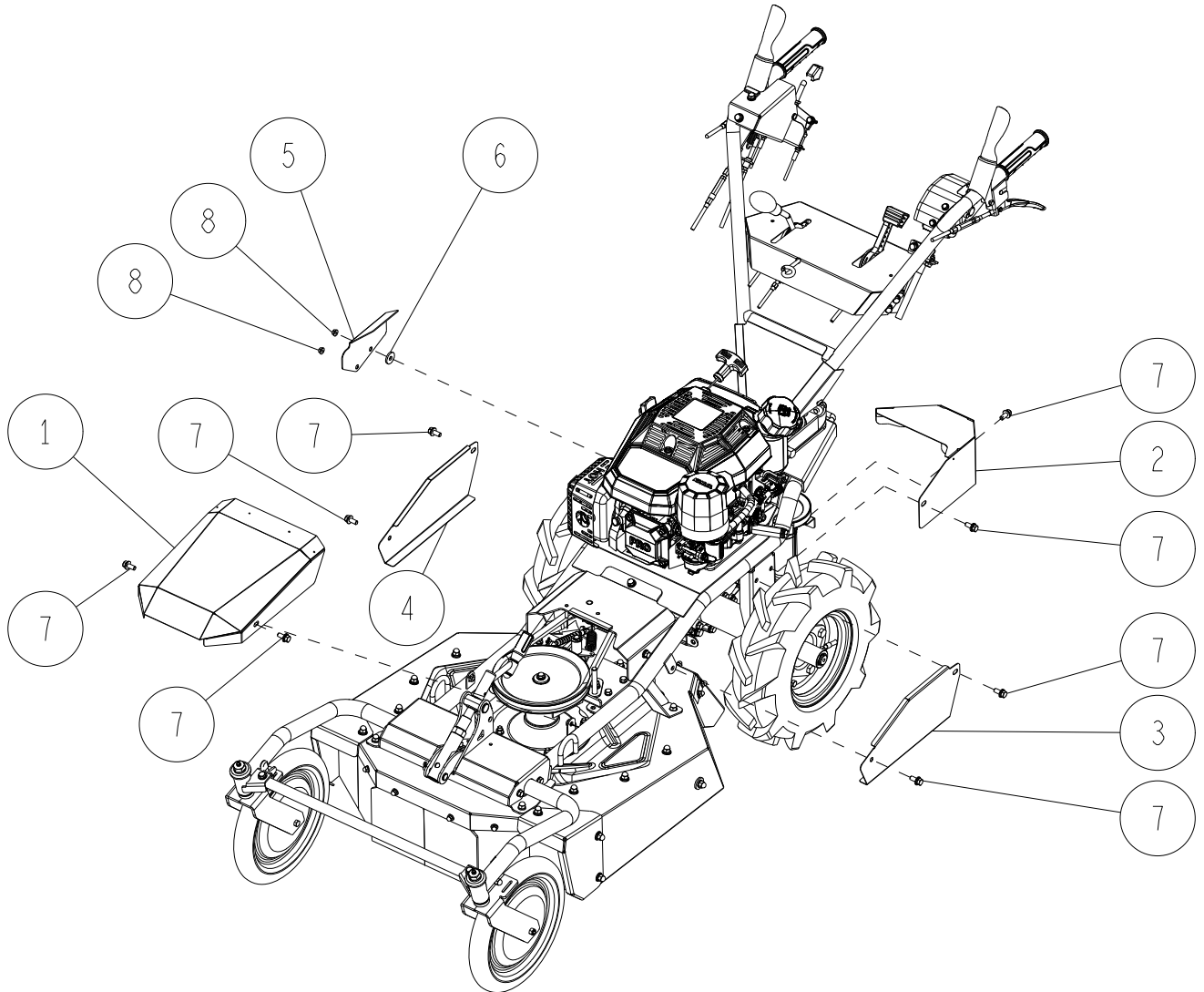
MEMO

- *1) Interchangeable
- *2) Serial Number : RN24E00001~

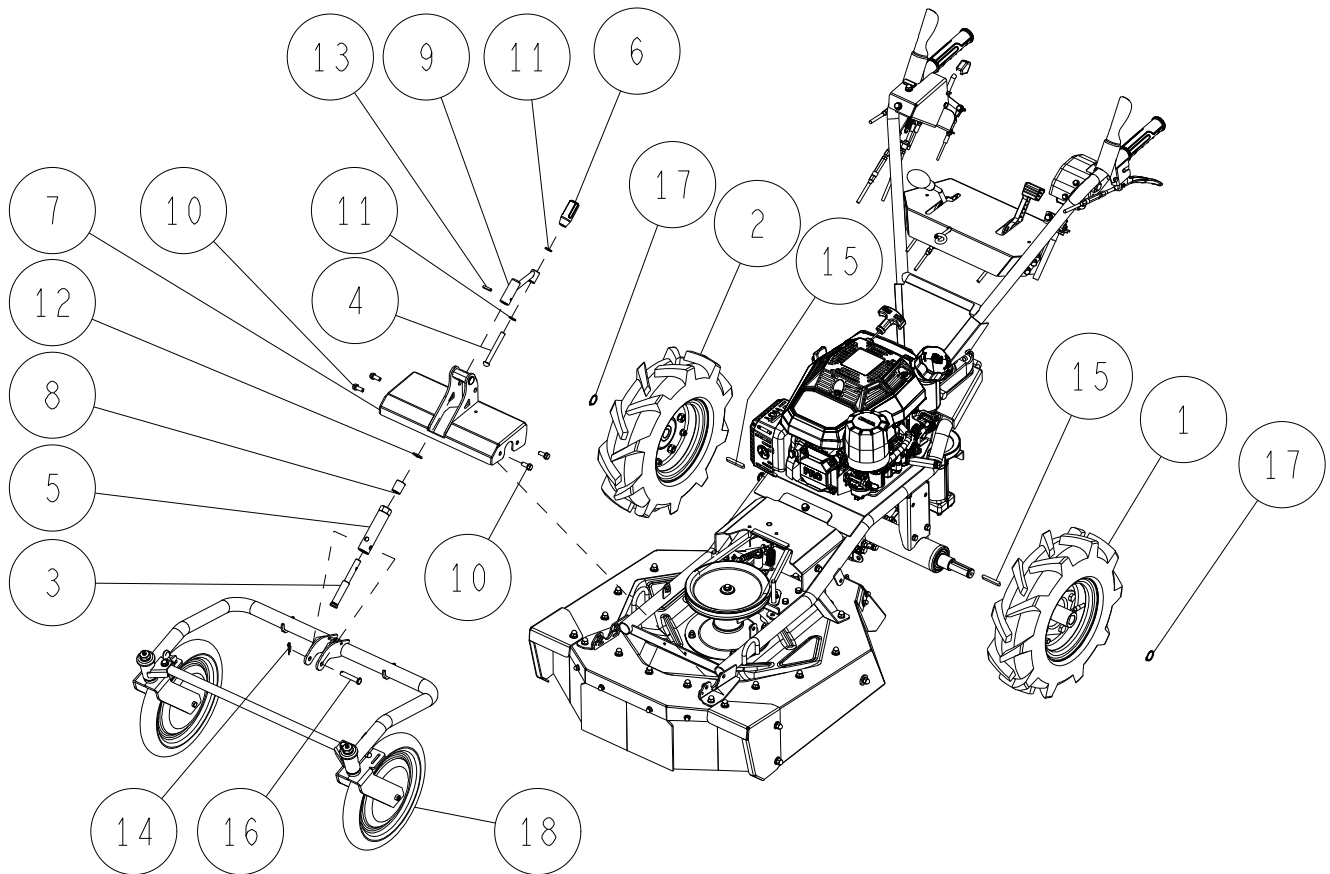
R/P) Recommend Parts

- ★★ : Highly recommended
- ★ : Recommended

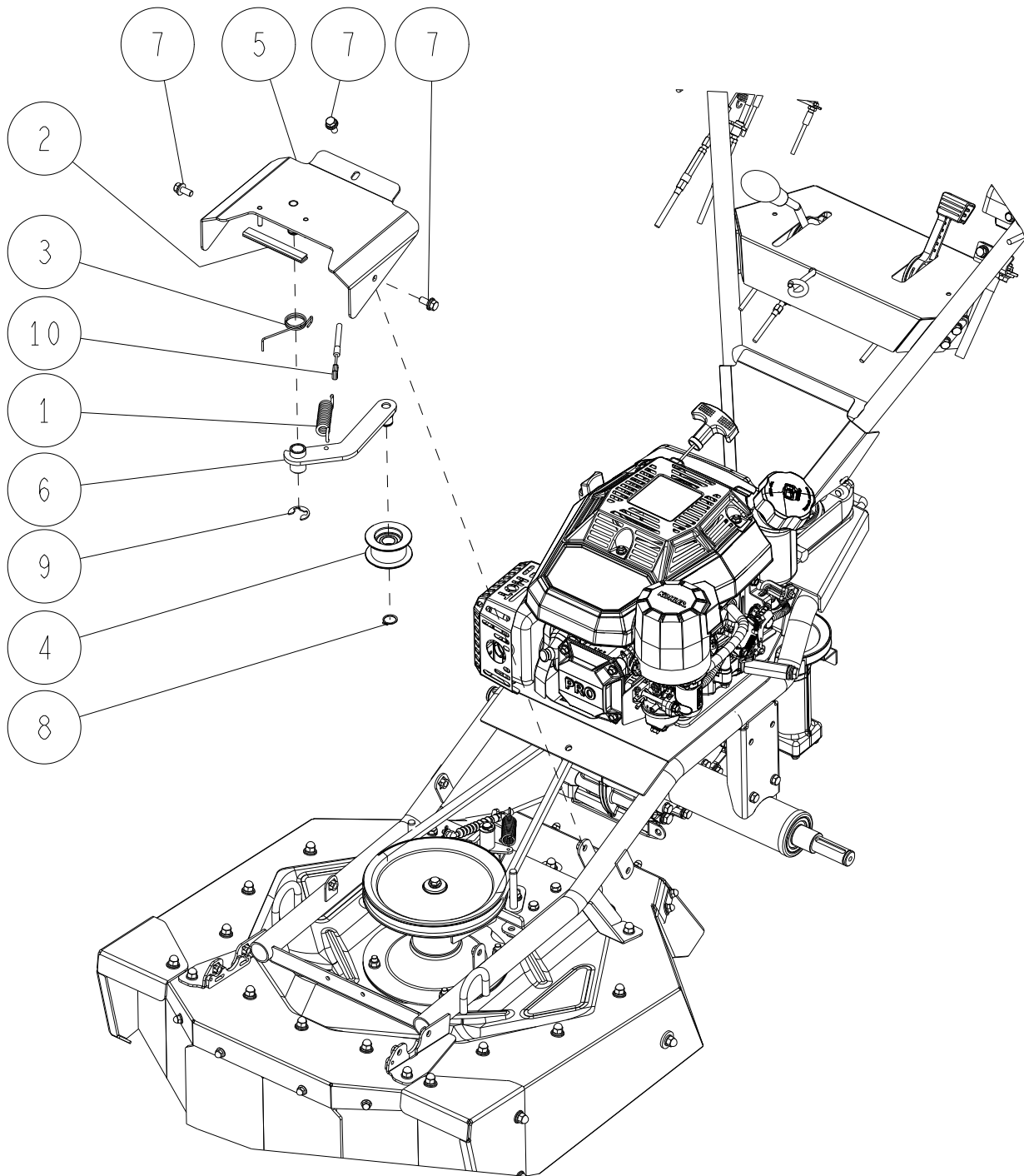
Painted Parts



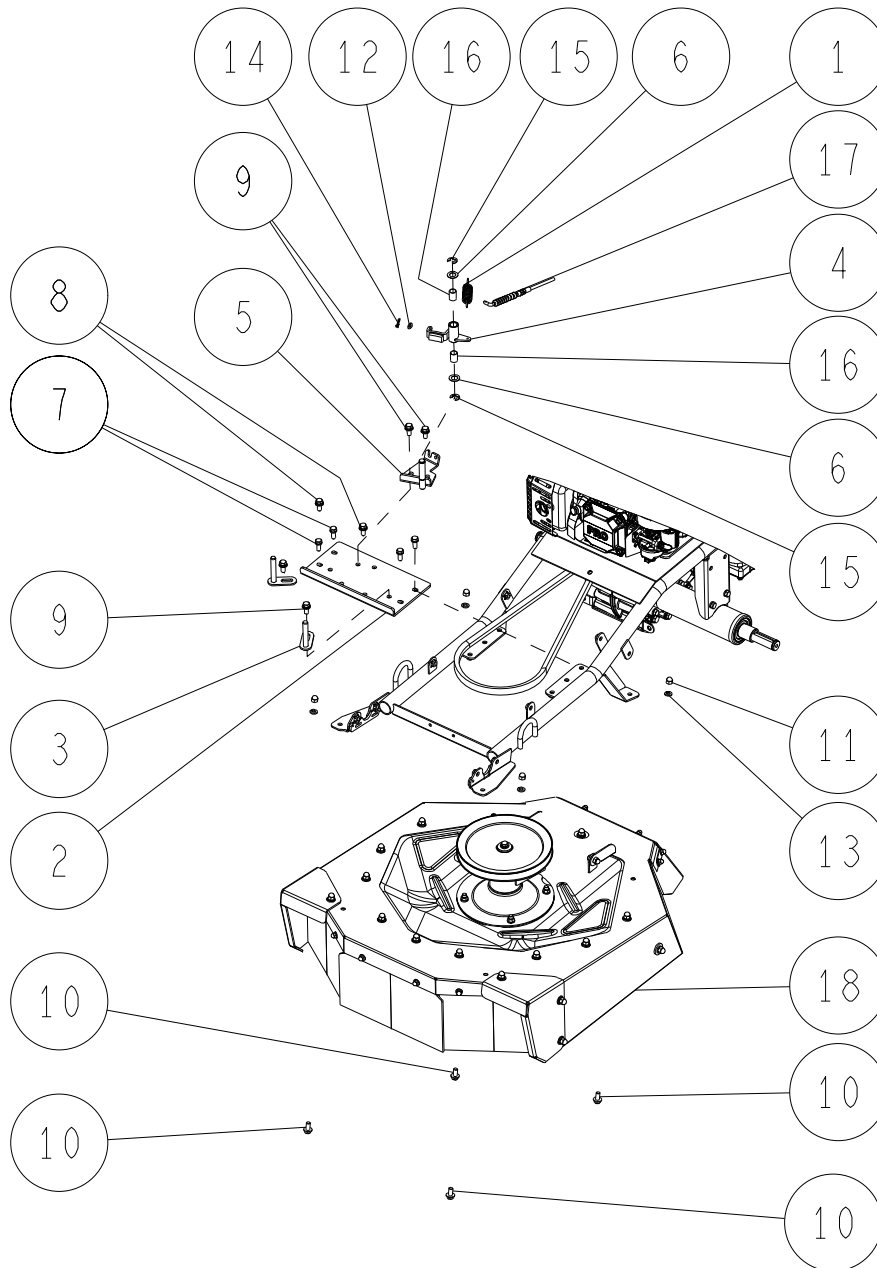
Ref.	Parts No.	Parts Name	Qty	Remark	R/P
1	0355-20601	Front Belt Cover CMP (White)	1		
2	0355-2071H	Rear Belt Cover CMP (Metallic Grey)	1	*2)	
	0355-2070H	Rear Belt Cover CMP (Metallic Grey)	1		
3	0355-2080H	Side Cover L (Metallic Grey)	1		
4	0355-2090H	Side Cover R (Metallic Grey)	1		
5	0355-2130H	Rear Cover S (Metallic Grey)	1		
6	83-1751-312-00	Washer 8*25*3.2	1		
7	89-1239-080202	Mini Hexagonal Bolt (PWSW) M8*20	8		
8	89-1631-080042	Flange Nut M8	2		



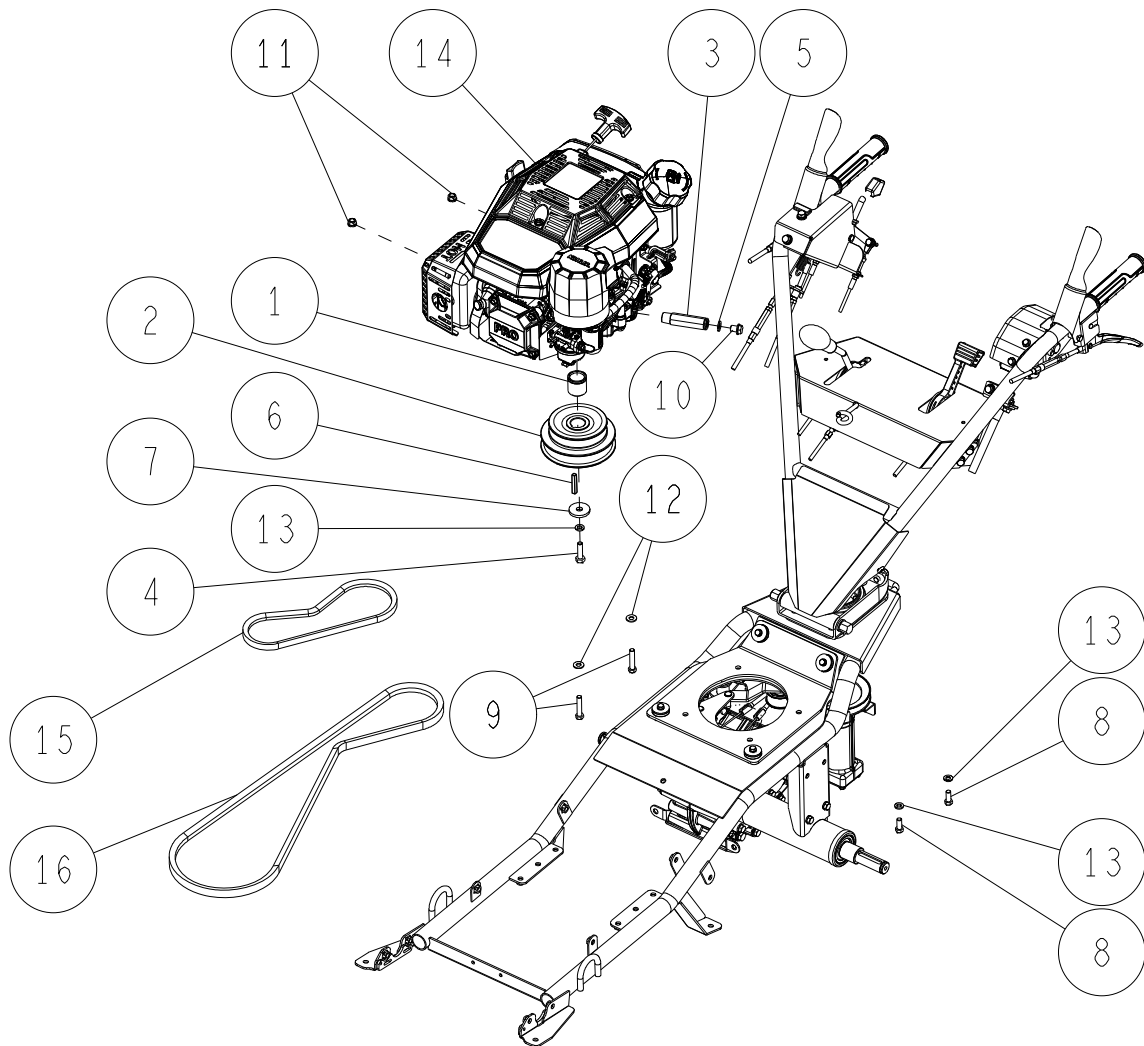
Ref.	Parts No.	Parts Name	Qty	Remark	R/P
1	0257-30000	Tire Assy 400-7 (L) (Include Wheel Boss	1	P.11	
2	0257-31000	Tire Assy 400-7 (R) (Include Wheel Boss	1	P.11	
3	0285-62400	Height Adjusting Bolt CMP	1		
4	0285-77000	Round Head Pin 10*80	1		
5	0318-5020H	Cutting Height Shaft CMP (Metallic Grey)	1		
6	0334-75100	Lever Grip (Black) 10	1		
7	0355-2151H	Front Arm Cover CMP (Metallic Grey)	1	*2)	
	0355-2150H	Front Arm Cover CMP (Metallic Grey)	1		
8	0355-21600	Collar	1		
9	84-1723-739-00	Cutting Height Adjusting Handle	1		
10	89-1235-080202	Mini Hexagonal Bolt (SW) M8*20	4		
11	89-1711-100002	Flat Washer 10*18*1.6	2		
12	89-1714-120002	Flat Washer 12	1		
13	89-2111-050022	Spring Pin 5*22	1		
14	89-2131-100002	Snap Pin 10	1		
15	89-2150-070500	Key 7*50 (round)	2		
16	89-2181-100502	Flat Head Pin 10*50	1		
17	89-2511-000220	Snap Ring (S22)	2		
18	-	Front Tire Assy	1	P.12~	



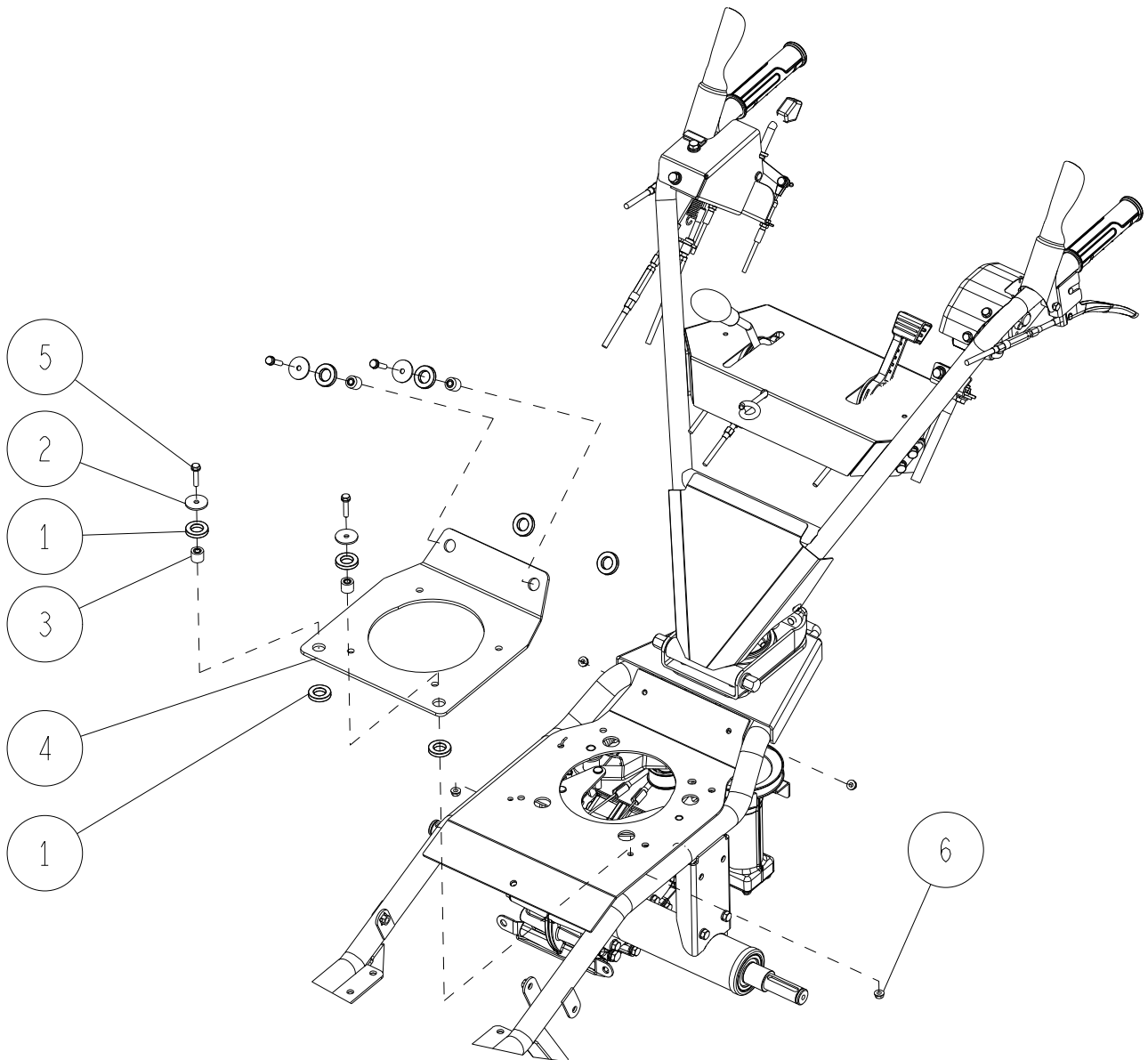
Ref.	Parts No.	Parts Name	Qty	Remark	R/P
1	80-1030-558-00	Kinfe Tension Return Spring	1		
2	0-1417-301Z-00	Rubber 3.2t×100	1		
3	80-1614-552-00	Tension Spring	1		
4	0272-41000	Tension Pulley (B) Assy	1		★★
5	0355-2110H	Arm Setting CMP (Metallic Grey)	1		
6	0355-40101	Blade Tension Arm CMP (White)	1		
7	89-1239-080202	Mini Hexagonal Bolt (PWSW) M8*20	3		
8	89-2511-000170	Snap Ring (S17)	1		
9	89-2521-000150	E Type Ring 15	1		
10	0355-70100	Blade Tension Cable	1		★★



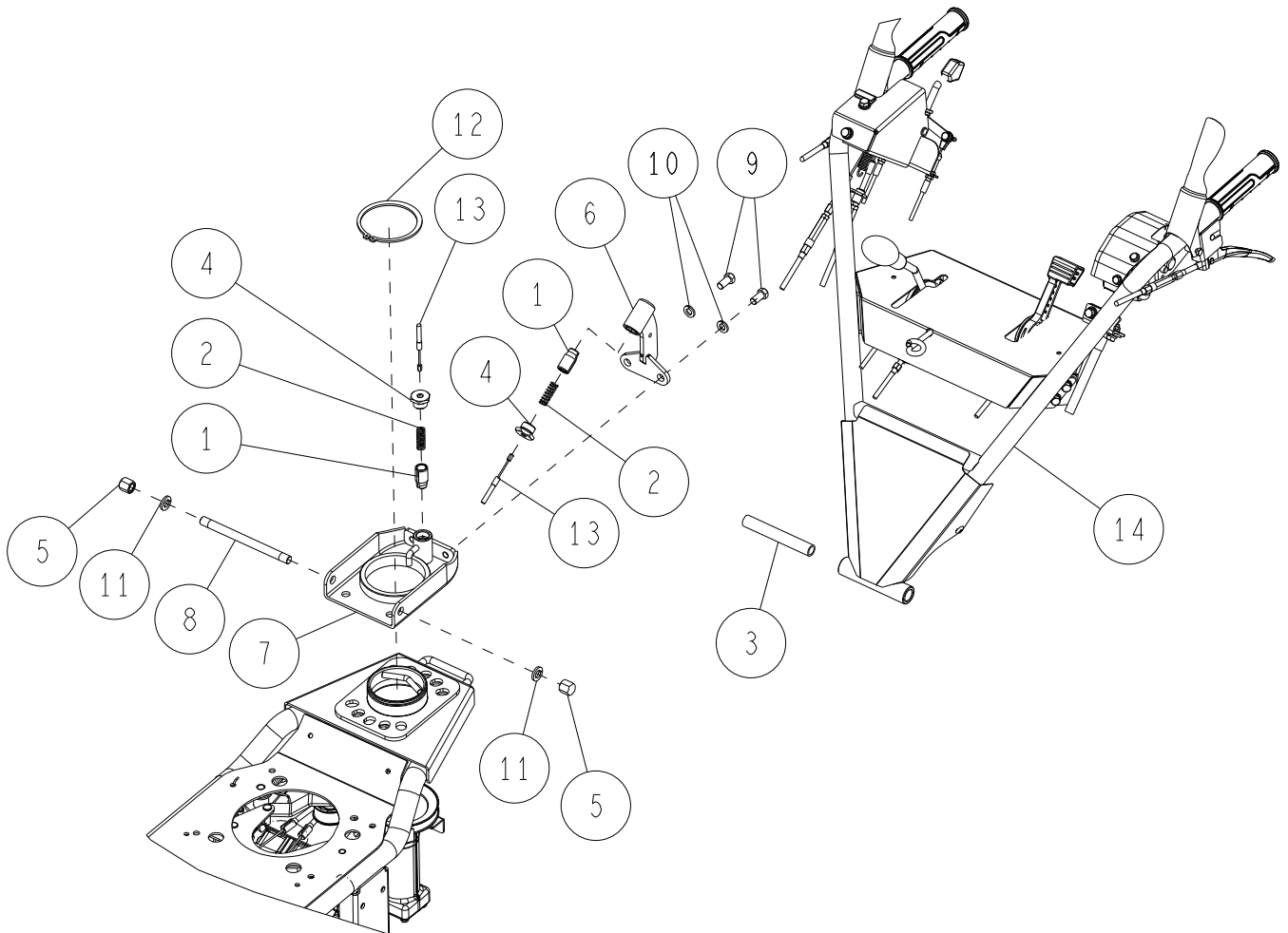
Ref.	Parts No.	Parts Name	Qty	Remark	R/P
1	0267-70800	Knife Brake Spring	1		
2	0355-2120H	Connecting Plate CMP (Metallic Grey)	1		
3	0355-4020H	Belt Holder CMP (Metallic Grey)	2		
4	0355-51101	Blade Brake (White)	1		★
5	0355-5130H	Brake Bracket CMP (Metallic Grey)	1		
6	83-1754-329-00	Washer 13*22*1.0	2		
7	89-1235-080202	Mini Hexagonal Bolt (SW) M8*20	4		
8	89-1236-080202	Mini Hexagonal Bolt (PWSW) M8*20	2		
9	89-1239-080202	Mini Hexagonal Bolt (PWSW) M8*20	4		
10	89-1253-080162	Flange Mini Hexagonal Bolt (8T) M8*16	4		
11	89-1671-080042	Mini Cap Nut M8	4		
12	89-1711-060002	Flat Washer 6	1		
13	89-1750-080002	Spring Washer 8	4		
14	89-2132-060002	Snap Pin 6 (with stopper)	1		
15	89-2521-000100	E Type Ring 10	2		
16	89-3510-012200	DU Bush 12.20	2		
17	0355-70400	Blade Brake Cable	1		
18	-	Rotary Cover Assy	1	P.14~	



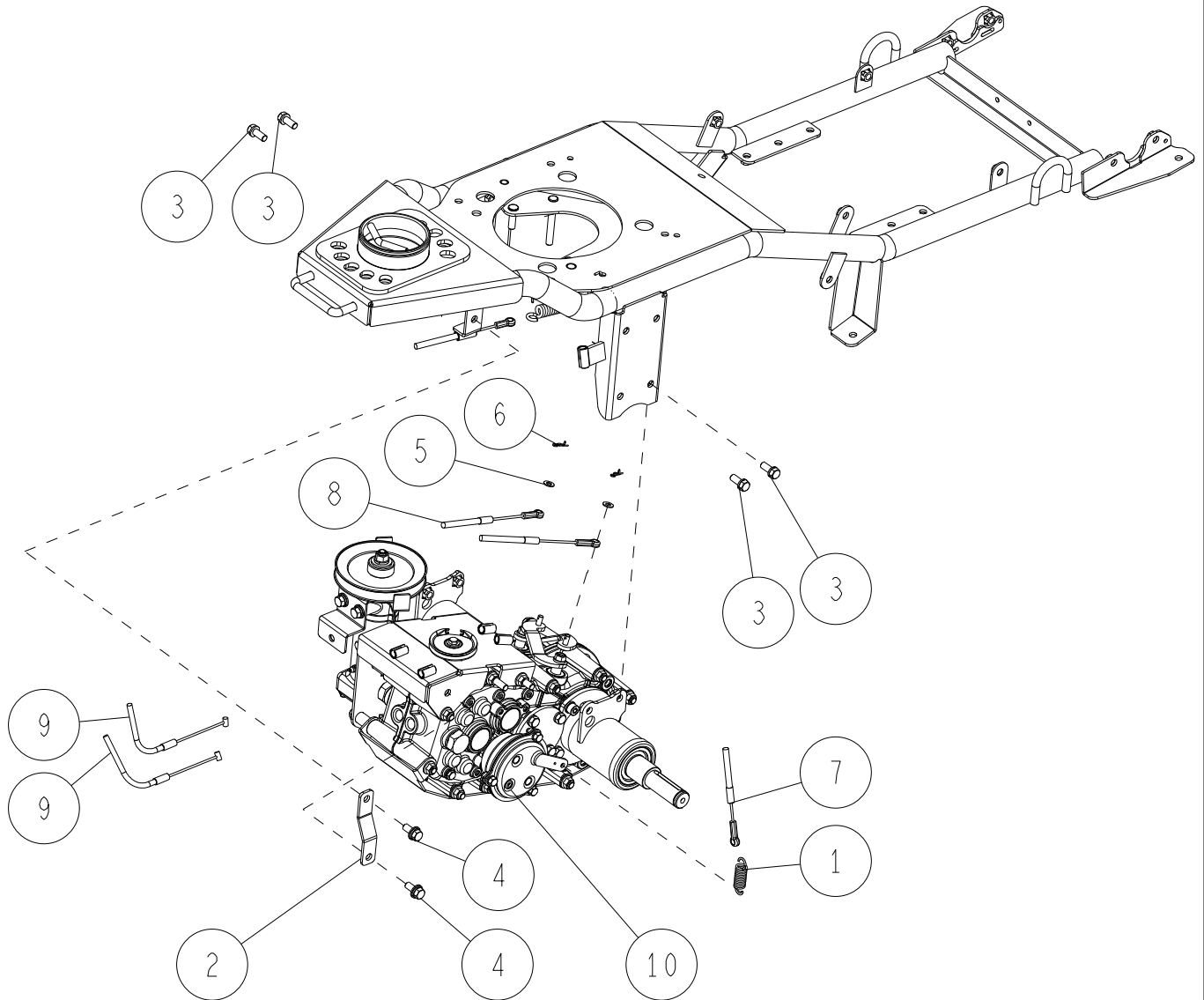
Ref.	Parts No.	Parts Name	Qty	Remark	R/P
1	0257-40900	Pulley Collar (CV224)	1		
2	0355-20300	Engine Pulley	1		★
3	0355-21400	Drain Extension	1		
4	83-1020-118-00	Hexagonal Bolt 3/8-24*32UNF (K)	1		
5	83-1020-349-00	Copper Packing 10.5*18*1.6	1		
6	83-1437-205-00	Key 1/4 inch *40	1		
7	83-1610-321-00	Washer 10*36*4.5	1		
8	89-1213-080202	Mini Hexagonal Bolt (8T) M8*20	2		
9	89-1213-080402	Mini Hexagonal Bolt (8T) M8*40	2		
10	89-1252-100122	Flange Mini Hexagonal Bolt M10*12 (sler	1		
11	89-1543-080002	Mini Hexagonal Nut (SW) M8	2		
12	89-1714-080002	Flat Washer 8	2		
13	89-1750-080002	Spring Washer 8	3		
14	9001-0051	KOHLER ENGINE (CV224-3011)	1		
15	89-6122-002700	V Belt LA-27	1		★★
16	89-6123-006100	V-Belt LB-61	1		★★



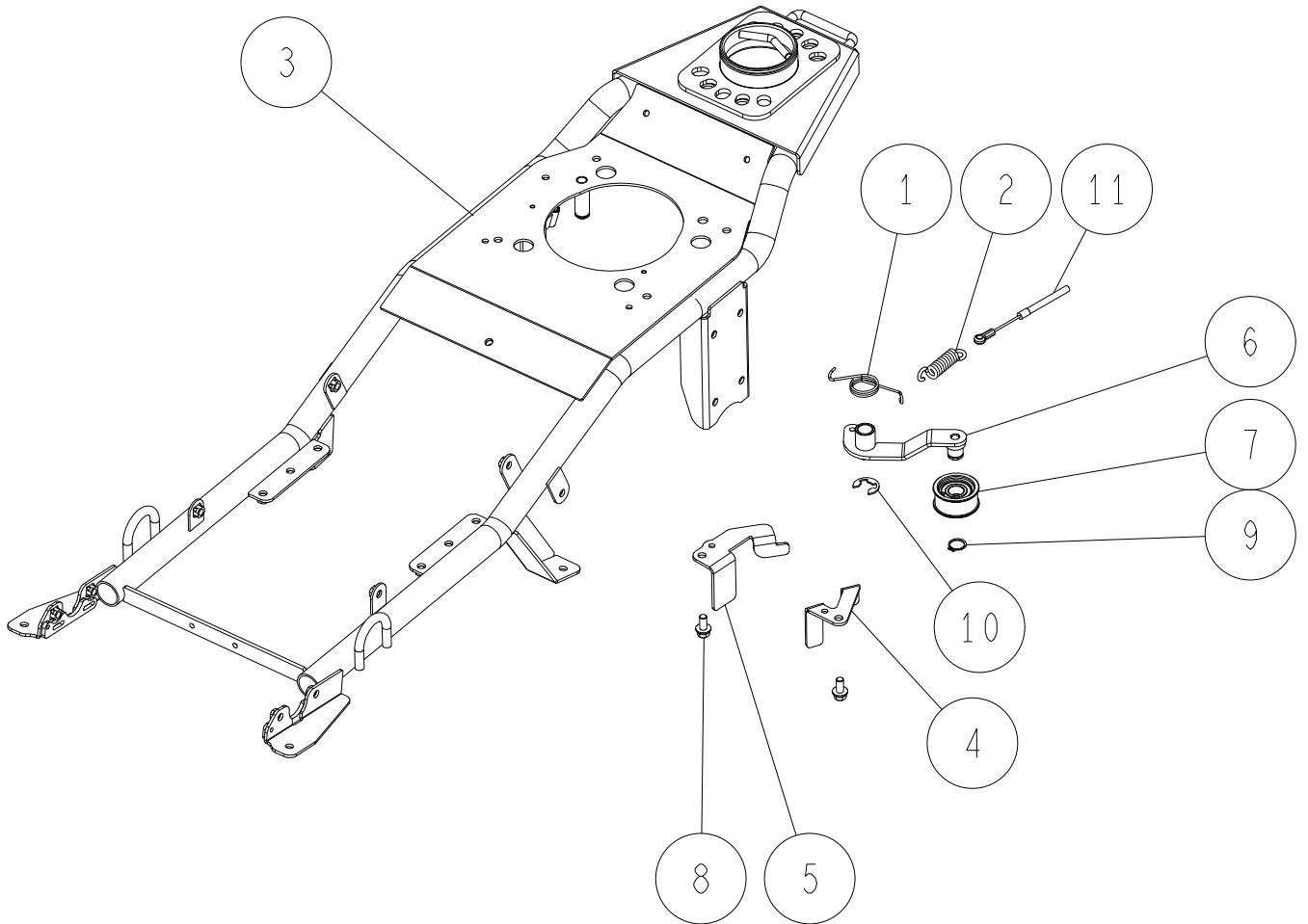
Ref.	Parts No.	Parts Name	Qty	Remark	R/P
1	0208-09910	Vibration-proof Rubber	8		
2	0305-09800	Flat Washer 6*30*2.3	4		
3	0327-08700	Anti-Vibration Rubber Assy	4		★
4	0355-2040H	Engine Mount (Metallic Grey)	1		
5	89-1135-060302	Hexagonal Bolt (SW) M6*30	4		
6	89-1531-060042	Flange Nut M6	4		



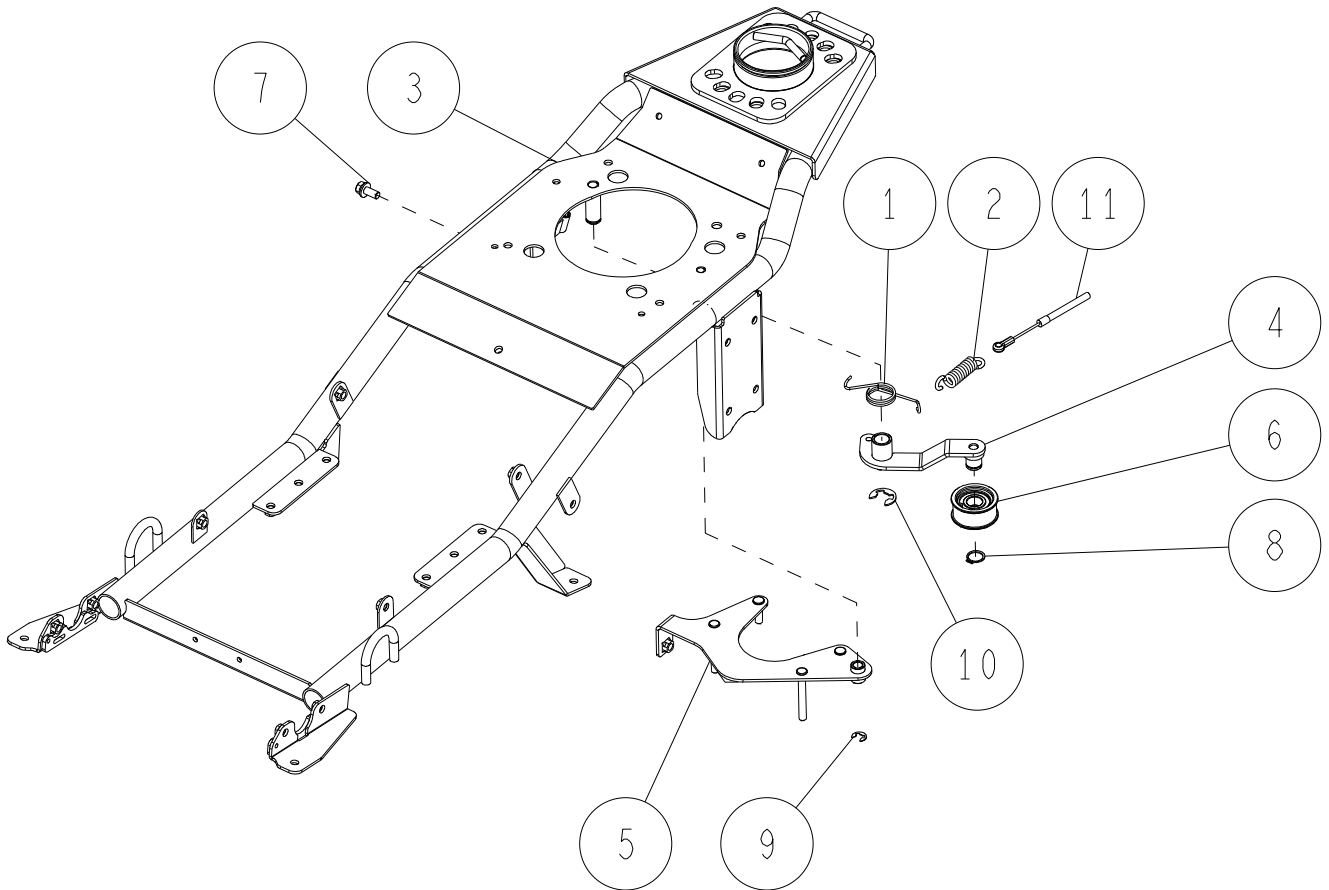
Ref.	Parts No.	Parts Name	Qty	Remark	R/P
1	80-1210-216-00	Stopper Pin	2		
2	80-1210-217-00	Stopper Spring	2		
3	80-1210-222-00	Handle Setting Collar	1		
4	80-1310-215-00	Stopper Cap	2		
5	80-1310-228-00	Handle Fix Nut	2		
6	0302-1010H	Handle Up/Down Stopper Arm CMP (GX)	1		
7	0334-2030H	Turntable for Handle (Metallic Grey)	1		
8	83-1210-133-00	Setting Bolt M12*160	1		
9	89-1211-100202	Mini Hexagonal Bolt M10*20	2		
10	89-1750-100002	Spring Washer 10	2		
11	89-1750-120002	Spring Washer 12	2		
12	89-2511-000850	Snap Ring (S85)	1		
13	0355-70500	Handle Adjusting Cable	2		
14	-	Handle Assy	1	P.21~	



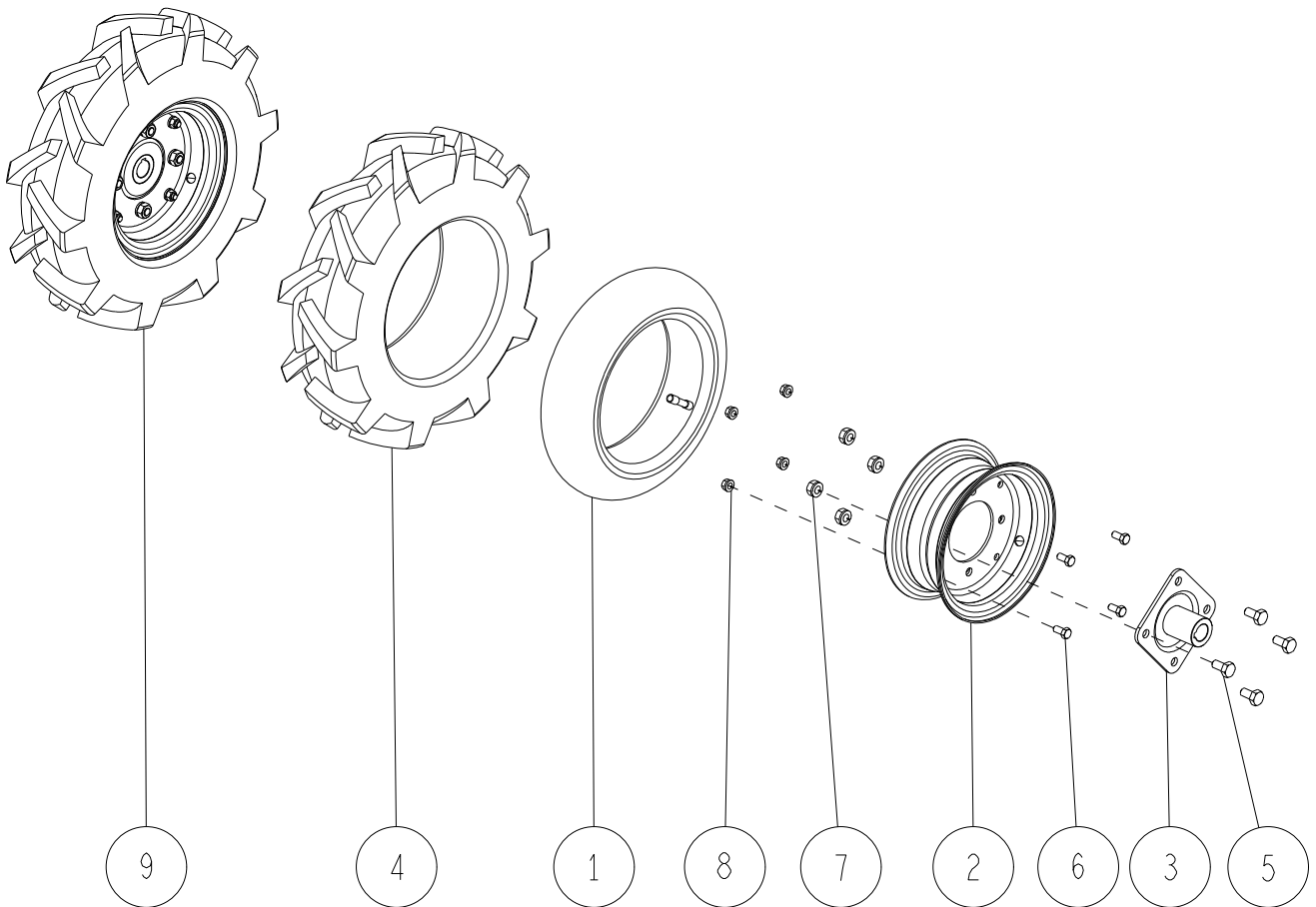
Ref.	Parts No.	Parts Name	Qty	Remark	R/P
1	80-1614-315-00	Return Spring	1		
2	0355-20500	Transmission Hunger Stay	1		
3	89-1235-080202	Mini Hexagonal Bolt (SW) M8*20	4		
4	89-1239-080202	Mini Hexagonal Bolt (PWSW) M8*20	2		
5	89-1711-060002	Flat Washer 6	2		
6	89-2132-060002	Snap Pin 6 (with stopper)	2		
7	0355-70300	Brake Cable	1		★★
8	0355-70600	Steering Clutch Cable	2		★★
9	0355-70700	Change Cable	2		★★
10	-	Transmission Assy	1	P.26~	



Ref.	Parts No.	Parts Name	Qty	Remark	R/P
1	80-1417-552-00	Return Spring	1		★
2	80-1560-551-00	Return Spring	1		★
3	0355-2010H	Frame CMP (Metallic Grey)	1		
4	0355-40601	Tension Arm CMP (White)	1		
5	0355-40301	Belt Holder A (White)	1		
6	0355-40401	Belt Holder B (White)	1		
7	83-1032-760-00	Tension Pulley Assy	1		★★
8	89-1239-080202	Mini Hexagonal Bolt (PWSW) M8*20	2		
9	89-2511-000170	Snap Ring (S17)	1		★
10	89-2521-000150	E Type Ring 15	1		
11	0355-70200	Drive Clutch Cable	1		★★

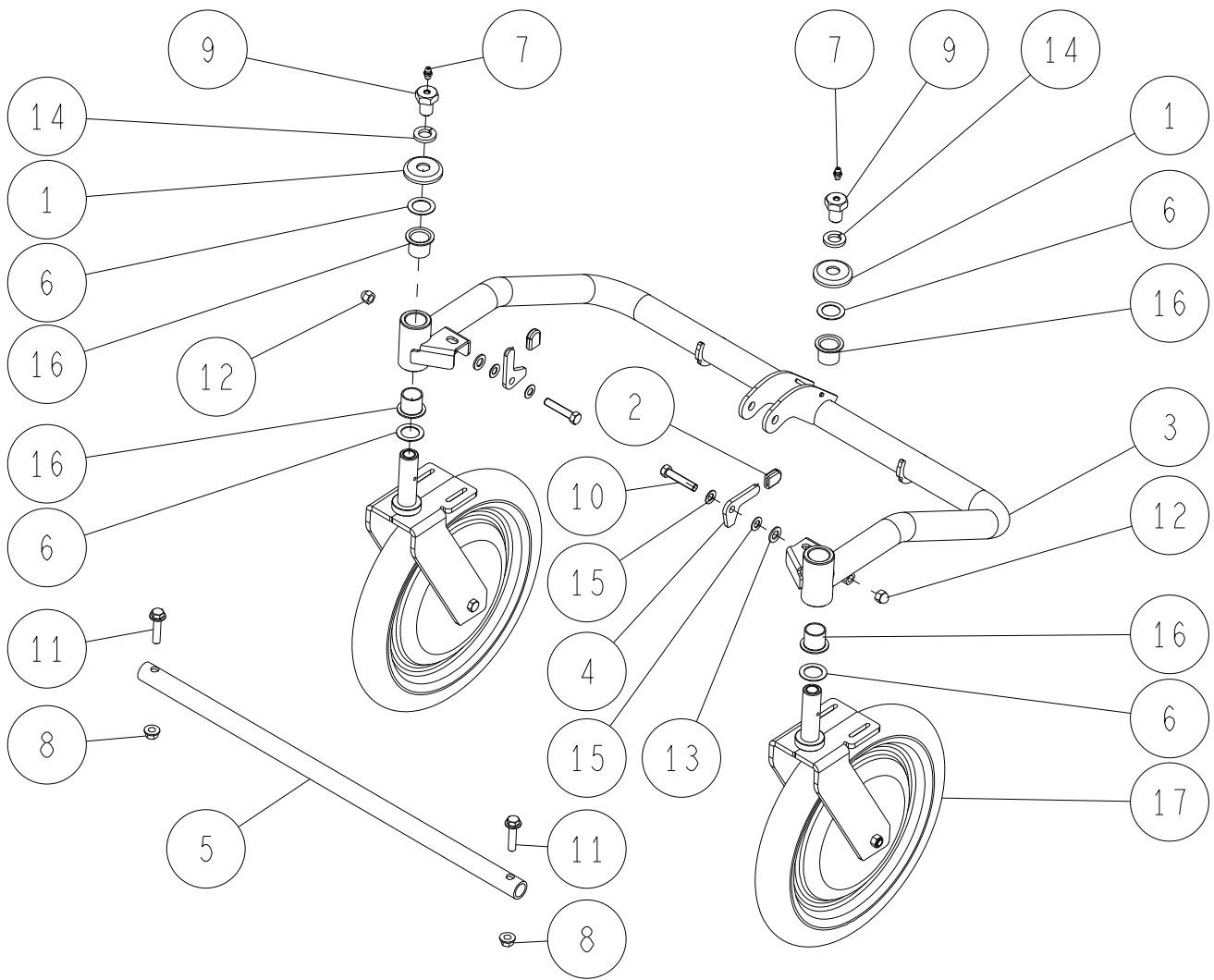


Ref.	Parts No.	Parts Name	Qty	Remark	R/P
1	80-1417-552-00	Return Spring	1		★
2	80-1560-551-00	Return Spring	1		★
3	0355-2011H	Frame CMP (Metallic Grey)	1		
4	0355-40601	Tension Arm CMP (White)	1		
5	0355-4070H	Belt Holder CMP (Metallic Grey)	1		
6	83-1032-760-00	Tension Pulley Assy	1		
7	89-1239-080202	Mini Hexagonal Bolt (PWSW) M8*20	1		★★
8	89-2511-000170	Snap Ring (S17)	1		
9	89-2521-000080	E Type Ring 8	1		★
10	89-2521-000150	E Type Ring 15	1		
11	0355-70200	Drive Cable	1		★★



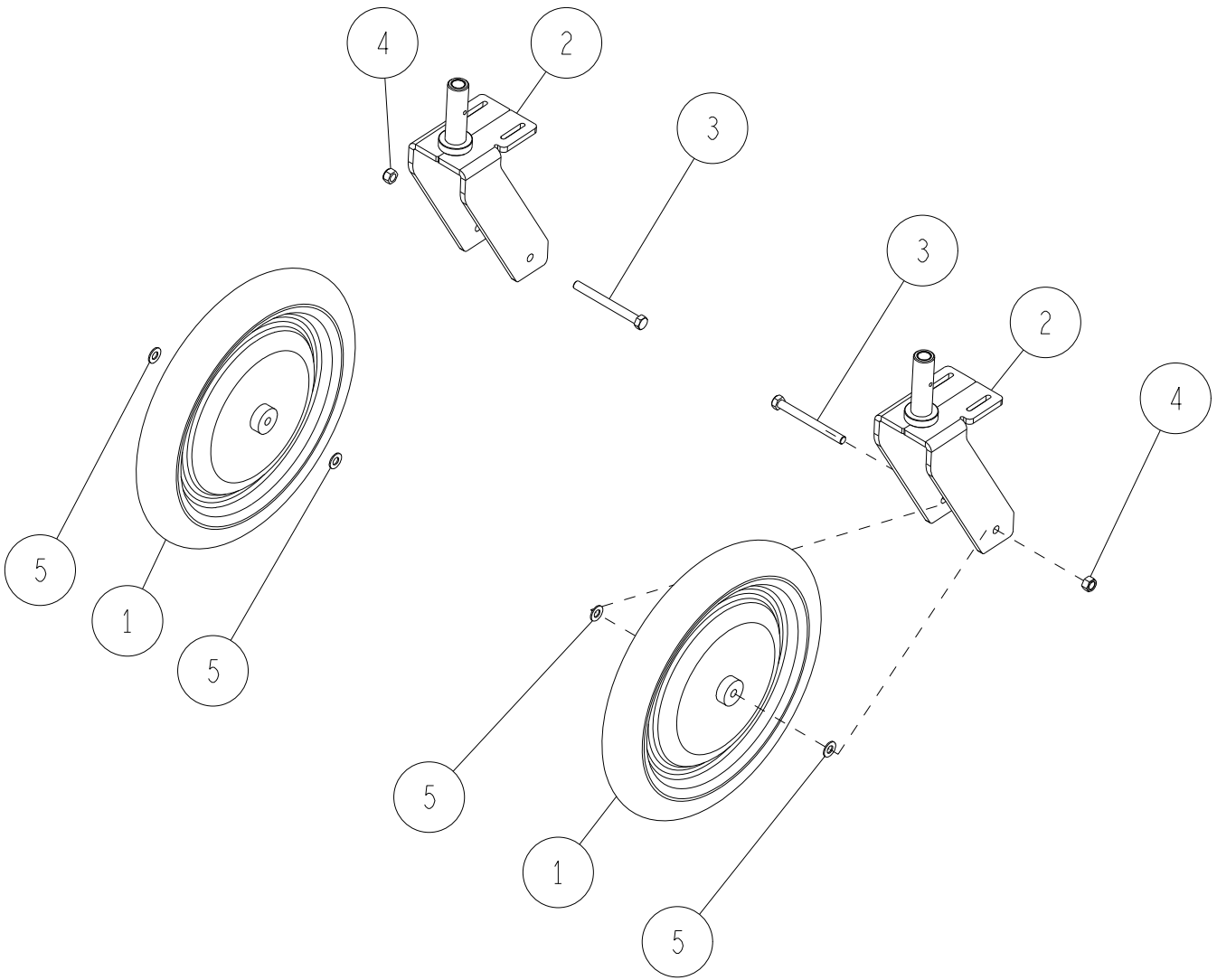
Ref.	Parts No.	Parts Name	Qty	Remark	R/P
1	80-1260-404-00	Tire Tube 3.50-7	1		★★
2	80-1260-407-00	Wheel Assy 3.50-7	1		
3	80-1565-413-11	Wheel Boss (White)	1		
4	0244-79310	Tire (4.00-7)	1		★★
5	89-1111-100202	Hexagonal Bolt M10*20	4		
6	89-1213-080162	Mini Hexagonal Bolt (8T) M8*16	4		
7	89-1541-100002	Hexagonal Nut (SW) M10	4		
8	89-1543-080002	Mini Hexagonal Nut (SW) M8	4		
9	0257-31000	Tire Assy 400-7 (R) (Include Wheel Boss	-	include Ref.1-8	
	0257-30000	Tire Assy 400-7 (L) (Include Wheel Boss	-	include Ref.1-8	
-	0244-79110	Front Wheel Tire (R) Assy (400-7)	-	include Ref.1-2,4,6,8	
-	0244-79210	Front Wheel Tire (L) Assy (400-7)	-	include Ref.1-2,4,6,8	

12/37 Front Tire 1/2



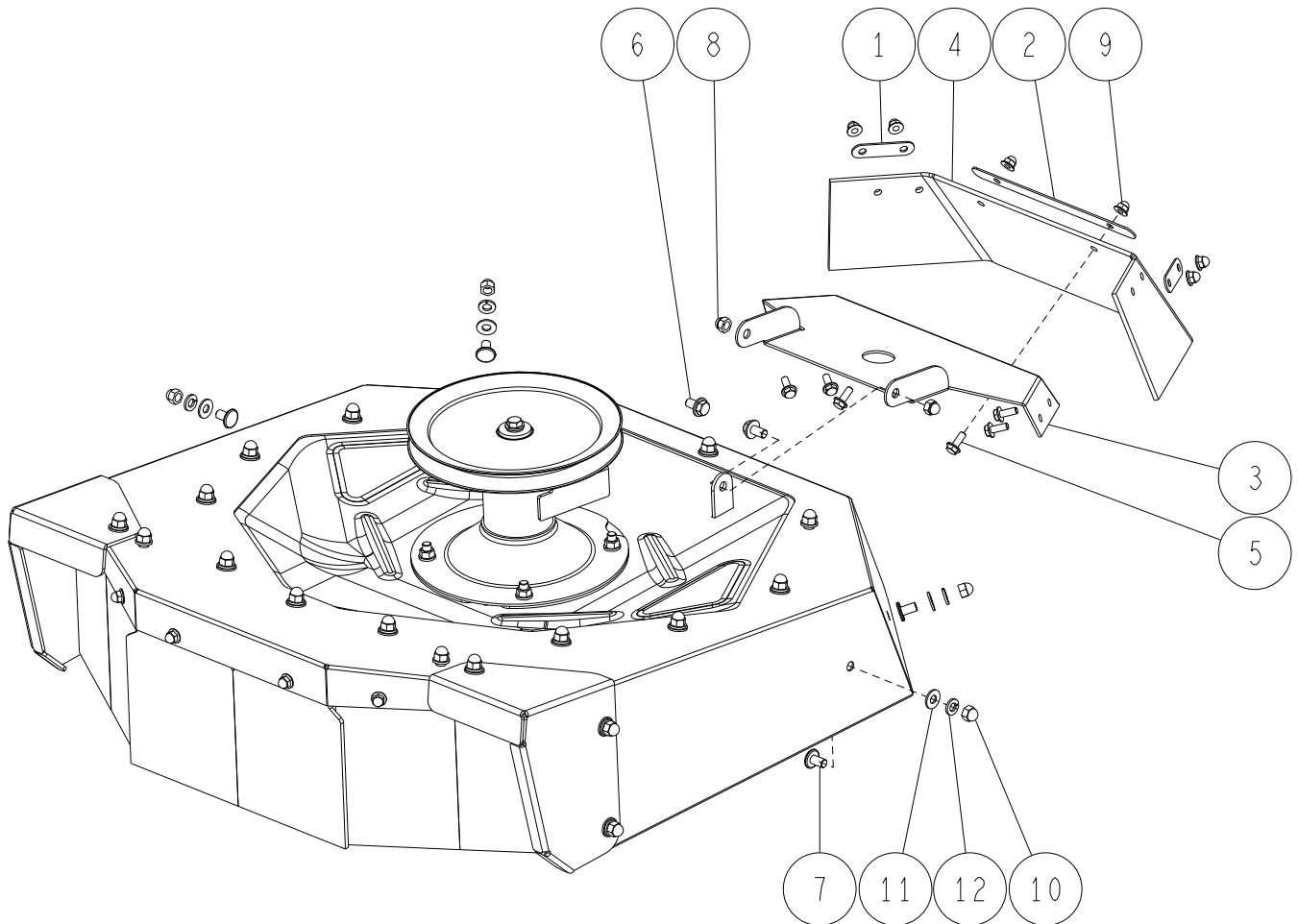
Ref.	Parts No.	Parts Name	Qty	Remark	R/P
1	0256-60700	Dust Cover	2		
2	0305-70200	Lever Cap	2		
3	0355-2021H	Front Arm CMP (Metallic Grey)	1	*2)	
	0355-2020H	Front Arm CMP (Metallic Grey)	1		
4	0355-21700	Fixing Plate	2		
5	0355-2190H	Foot Guard (Metallic Grey)	1		
6	83-1310-371-00	Thrust Washer 20*30*1.0	4		
7	83-1415-975-00	Grease Nipple M6	2		
8	83-1484-255-00	Lock Nut ZUF M8	2		
9	84-1783-791-00	Grease Nipple Bolt M14	2		
11	89-1213-080407	Flange Mini Hexagonal Bolt (8T) M8*40	2		
10	89-1253-080352	Flange Mini Hexagonal Bolt (8T) M8*35	2		
12	89-1671-080042	Mini Cap Nut M8	2		
13	89-1711-100002	Flat Washer 10*18*1.6	2		
14	89-1750-140002	Spring Washer 14	2		
15	89-1852-080001	Plate Spring H8	4		
16	89-3511-020200	DU Bush 20.20.31F	4		★★
17	-	Front Wheel ASSY	2		

13/37 Front Tire 2/2



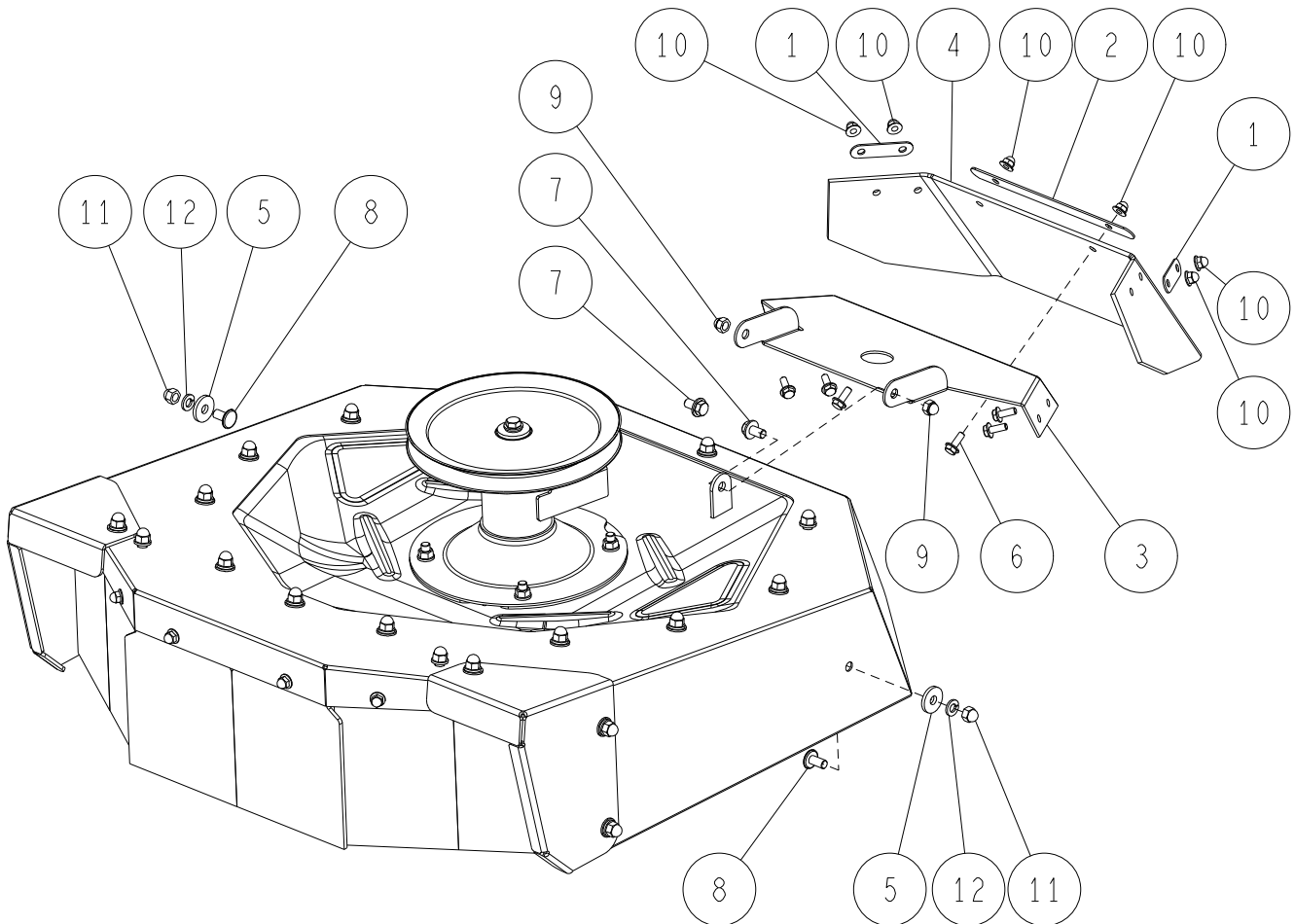
Ref.	Parts No.	Parts Name	Qty	Remark	R/P
1	0258-70500	Front Wheel (Black)	2		★★
2	0355-21800	Front Fork CMP	2		★
3	89-1213-080802	Mini Hexagonal Bolt (8T) M8*80	2		
4	89-1561-080002	Mini Hexagonal U Nut M8	2		
5	89-1711-080002	Flat Washer 8	4		

Rotary Cover 1/6 RN23K00001~RN23K00004



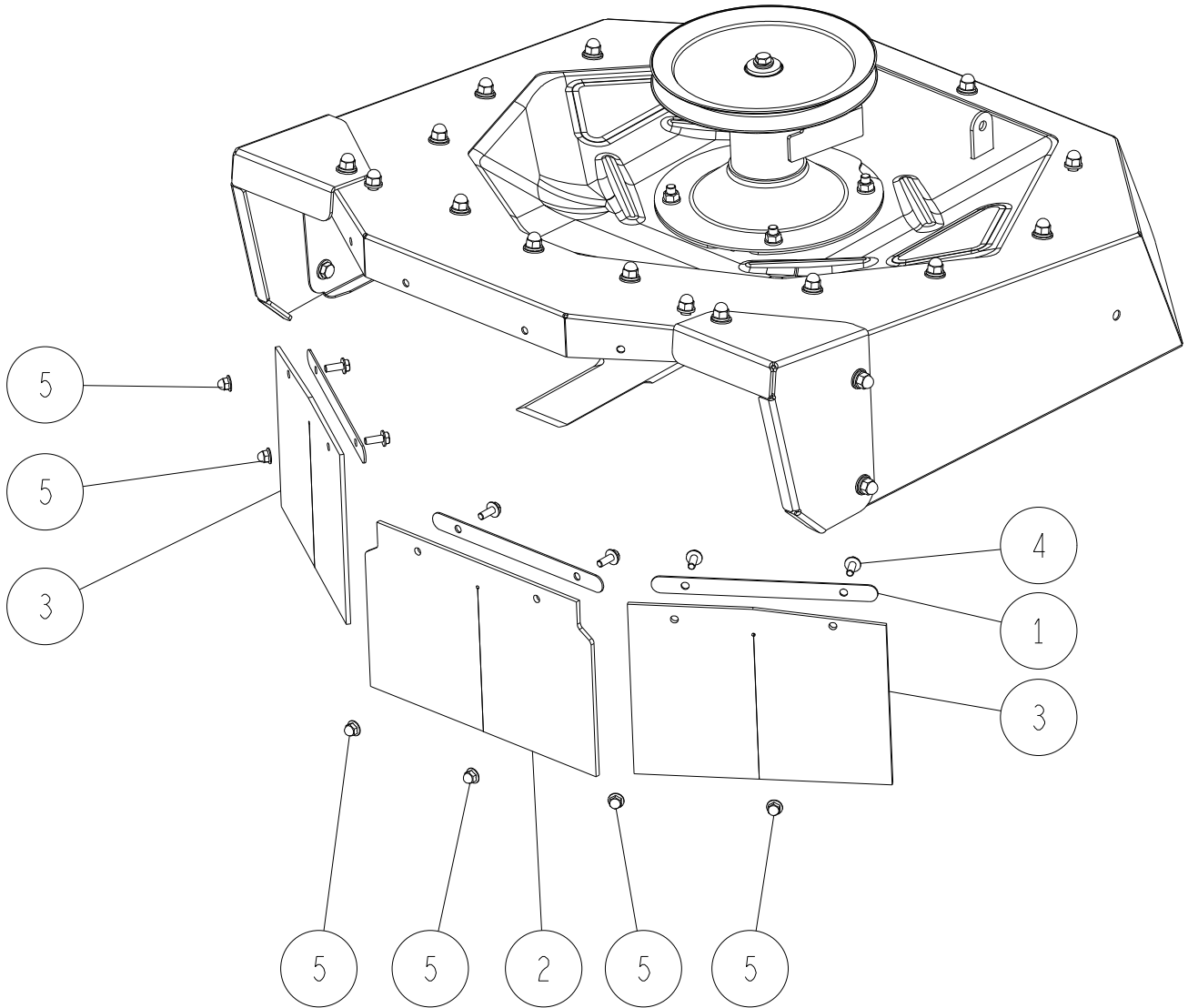
Ref.	Parts No.	Parts Name	Qty	Remark	R/P
1	0218-60400	Flapper Holder (G)	2		
2	0355-5050H	Flapper Stay (Metallic Grey)	1		
3	0355-5080H	Rear Cover (Metallic Grey)	1		
4	0355-50900	Rear Flapper	1		★
5	89-1137-060172	Hexagonal Bolt (PW) M6*17	6		
6	89-1253-080142	Flange Mini Hexagonal Bolt (8T) M8*14	2		
7	89-1390-080142	Weld Bolt M8X14	4		
8	89-1563-080003	Bag Hexagonal U Nut M8	2		
9	89-1581-060042	Flange Cap Nut M6	6		
10	89-1671-080042	Mini Cap Nut M8	4		
11	89-1712-080002	Flat Washer 8	4		
12	89-1750-080002	Spring Washer 8	4		

Rotary Cover 1/6 RN24E00001~



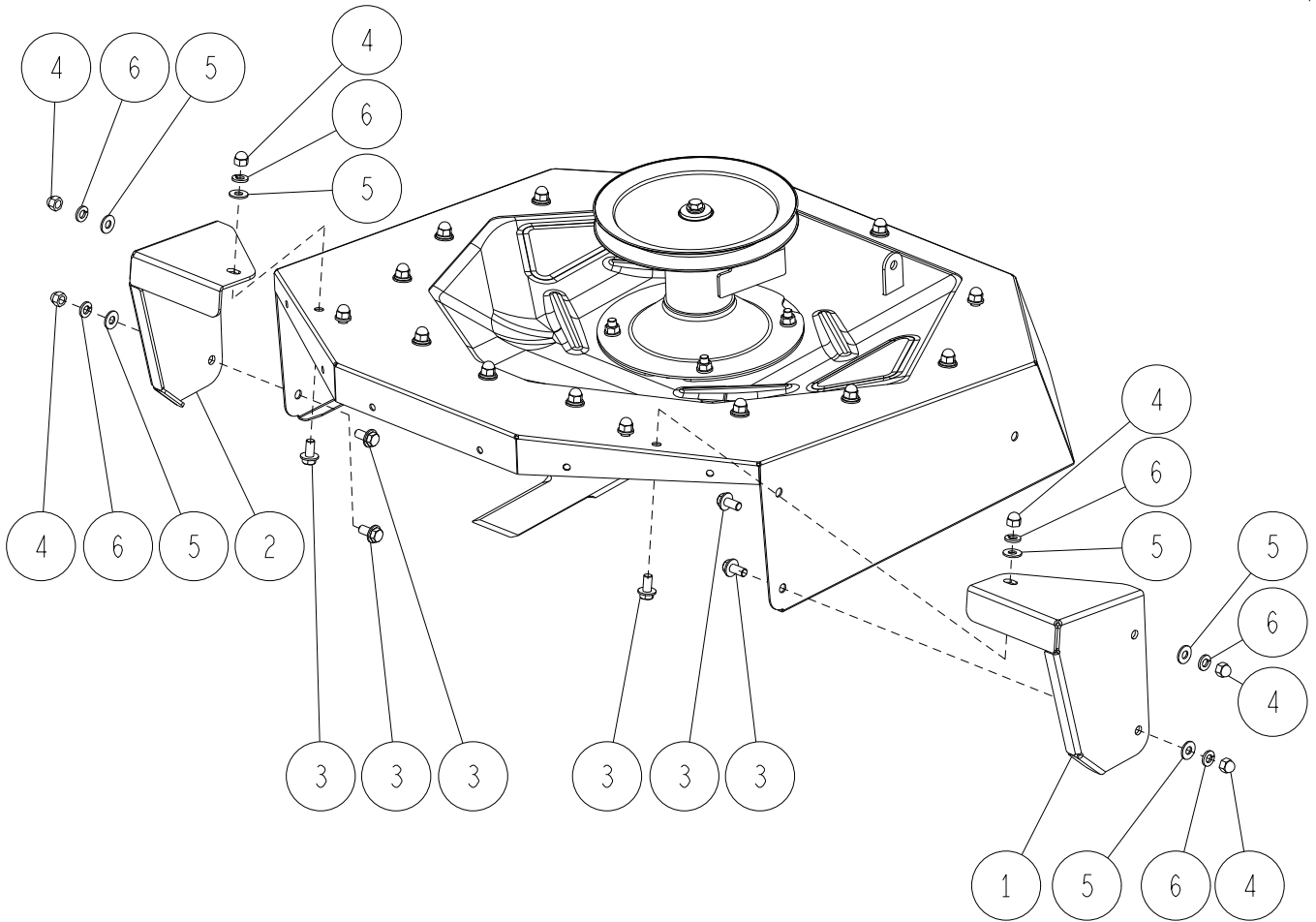
Ref.	Parts No.	Parts Name	Qty	Remark	R/P
1	0218-60400	Flapper Holder (G)	2		
2	0355-5050H	Flapper Stay (Metallic Grey)	1		
3	0355-5080H	Rear Cover (Metallic Grey)	1		
4	0355-50900	Rear Flapper	1		★
5	83-1751-312-00	Flat Washer 8	2		
6	89-1137-060172	Hexagonal Bolt (PW) M6*17	6		
7	89-1253-080142	Flange Mini Hexagonal Bolt (8T) M8*14	2		
8	89-1390-080162	Weld Bolt M8X16	4		
9	89-1563-080003	Bag Hexagonal U Nut M8	2		
10	89-1581-060042	Flange Cap Nut M6	6		
11	89-1671-080042	Mini Cap Nut M8	2		
12	89-1750-080002	Spring Washer 8	2		

Rotary Cover 2/6



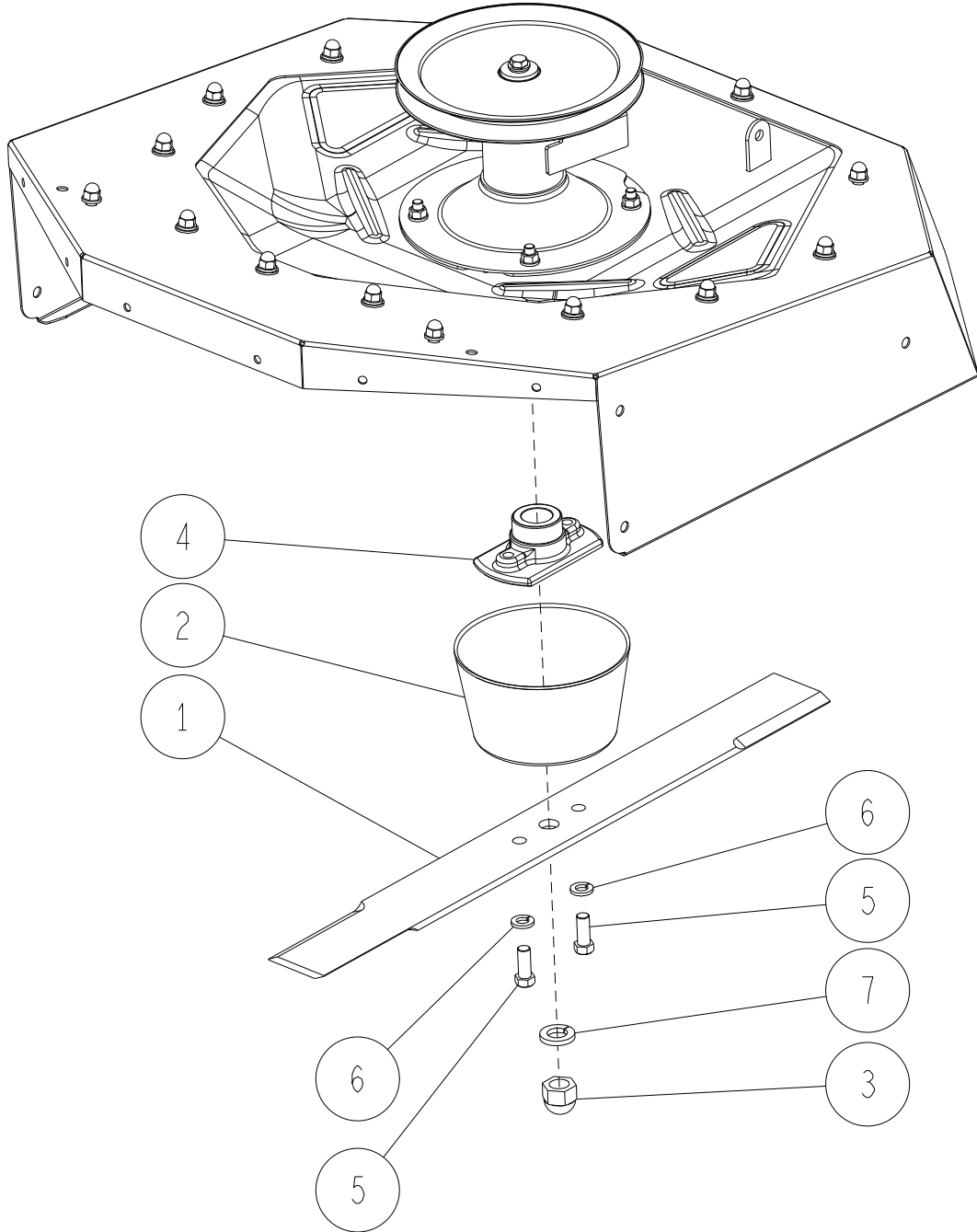
Ref.	Parts No.	Parts Name	Qty	Remark	R/P
1	0355-5050H	Flapper Stay (Metallic Grey)	3		
2	0355-50600	Front Flapper A	1		★
3	0355-50700	Front Flapper B	2		
4	89-1137-060172	Hexagonal Bolt (PW) M6*17	6		
5	89-1581-060042	Flange Cap Nut M6	6		

Rotary Cover 3/6



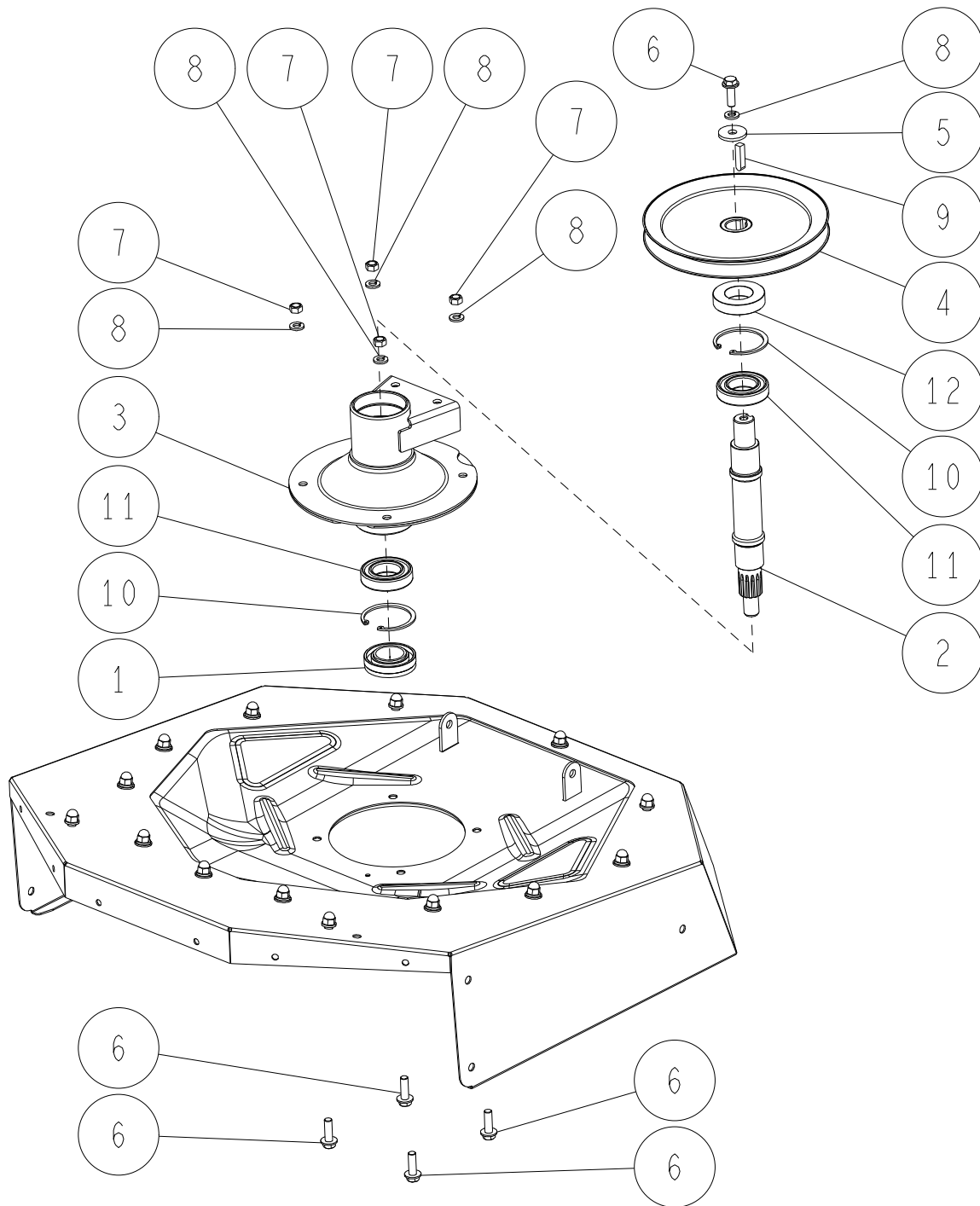
Ref.	Parts No.	Parts Name	Qty	Remark	R/P
1	0355-5140H	Rotary Reinforcement L (Metallic Grey)	1		
2	0355-5150H	Rotary Reinforcement R (Metallic Grey)	1		
3	89-1253-080162	Flange Mini Hexagonal Bolt (8T) M8*16	6		
4	89-1671-080042	Mini Cap Nut M8	6		
5	89-1712-080002	Flat Washer 8	6		
6	89-1750-080002	Spring Washer 8	6		

Rotary Cover 4/6



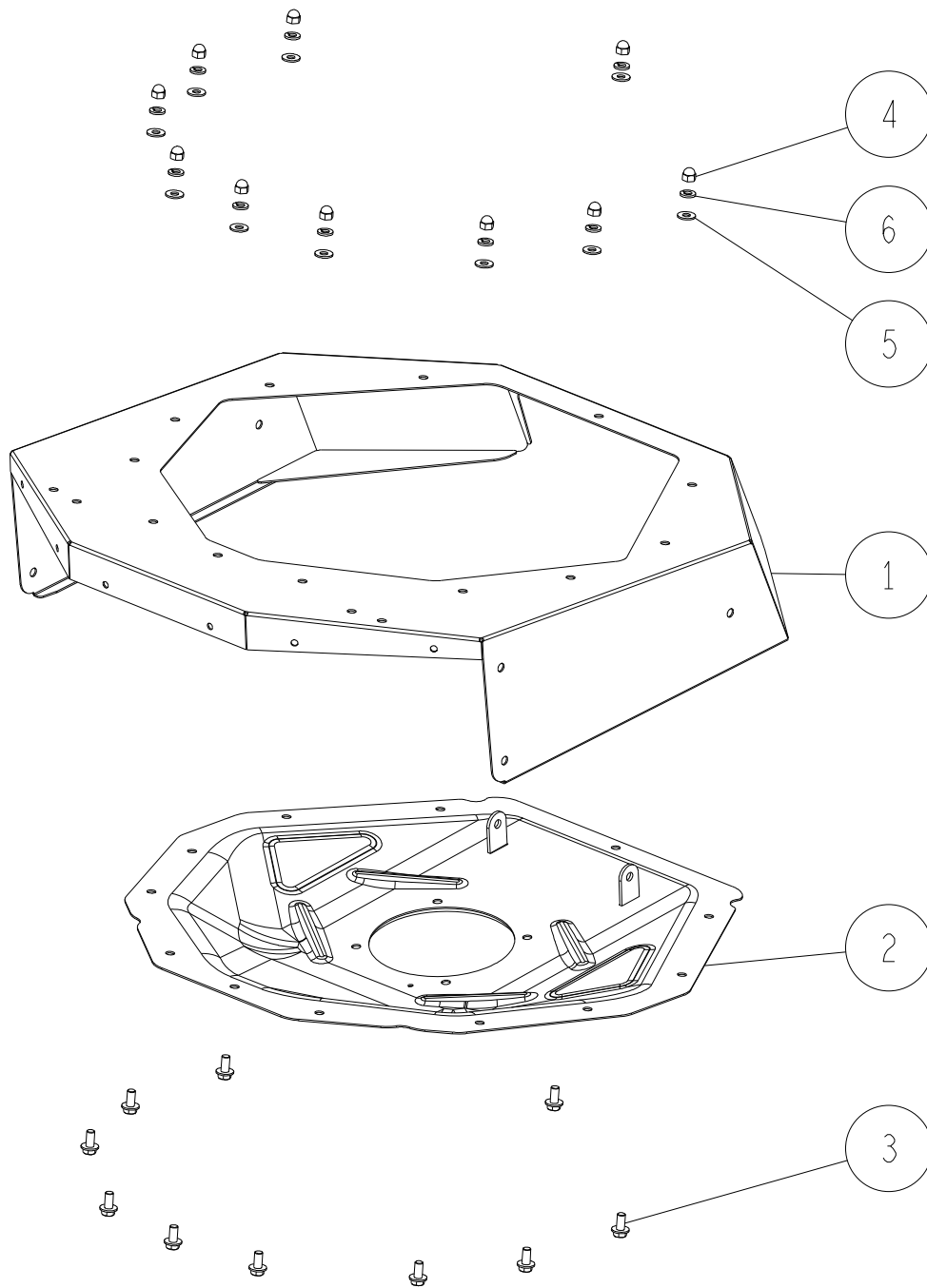
Ref.	Parts No.	Parts Name	Qty	Remark	R/P
1	80-1415-821-00	Bar Knife	1		★★
2	80-1415-836-0H	Knife Neck Guard (Metallic Grey)	1		★
3	83-1732-175-00	Bag Nut M16 (Lock)	1		★
4	84-1763-833-0H	Knife Bracket (Metallic Grey)	1		★
5	89-1213-100252	Mini Hexagonal Bolt (8T) M10*25	2		
6	89-1750-100002	Spring Washer 10	2		
7	89-1750-160002	Spring Washer 16	1		

Rotary Cover 5/6

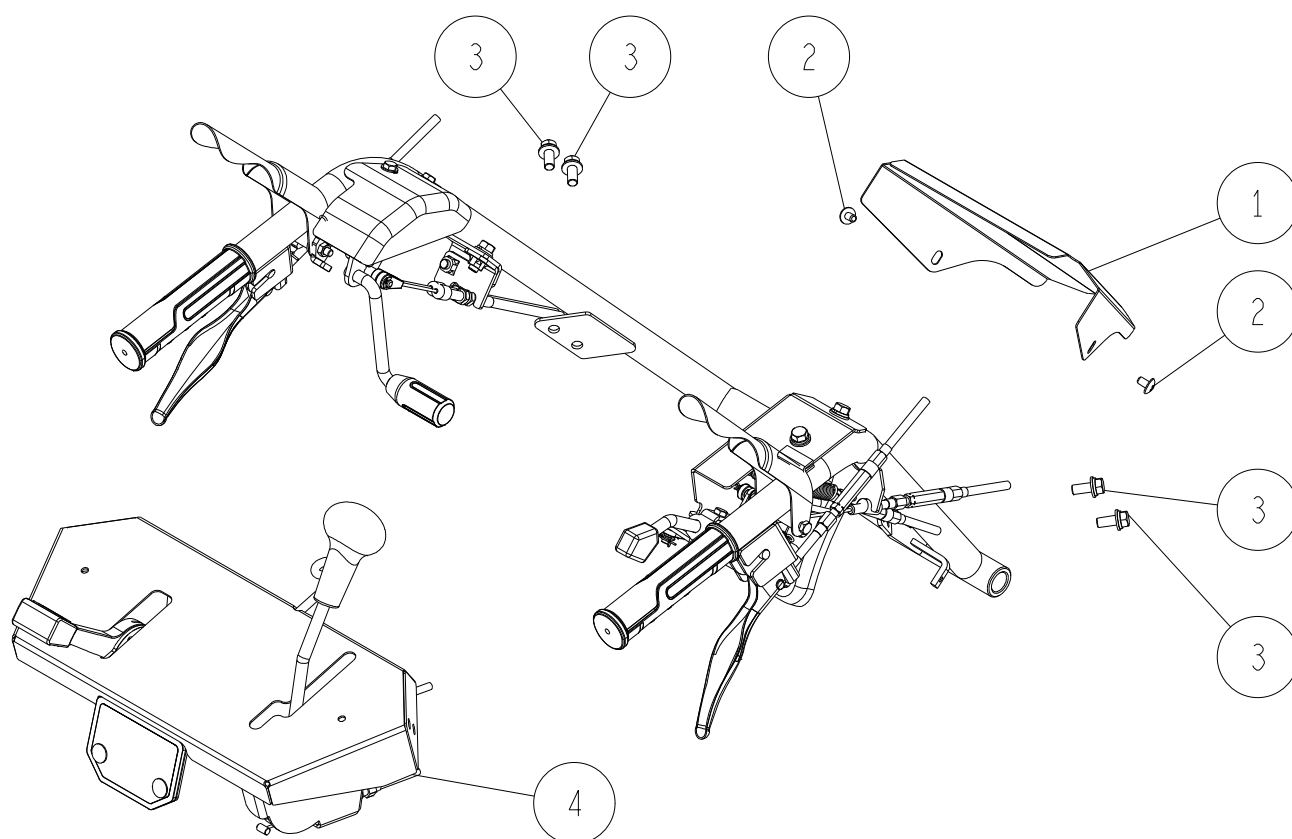


Ref.	Parts No.	Parts Name	Qty	Remark	R/P
1	0297-08000	Oil Seal AP 35.55.16	1		★★
2	0355-50300	Blade Shaft	1		
3	0355-5040H	BB Case CMP (Metallic Grey)	1		
4	0355-51201	Blade Pulley (White)	1		★
5	83-1415-312-00	Washer 8*30*3.2	1		
6	89-1253-080252	Flange Mini Hexagonal Bolt (8T) M8*25	5		
7	89-1611-080042	Mini Hexagonal Nut M8	4		
8	89-1750-080002	Spring Washer 8	5		
9	89-2151-070300	Key 7*30 (half round)	1		
10	89-2512-000550	Snap Ring (R55)	2		
11	89-3115-060064	Bearing 6006 2RS	2		★★
12	89-5121-305512	Oil Seal UE 30.55.12	1		

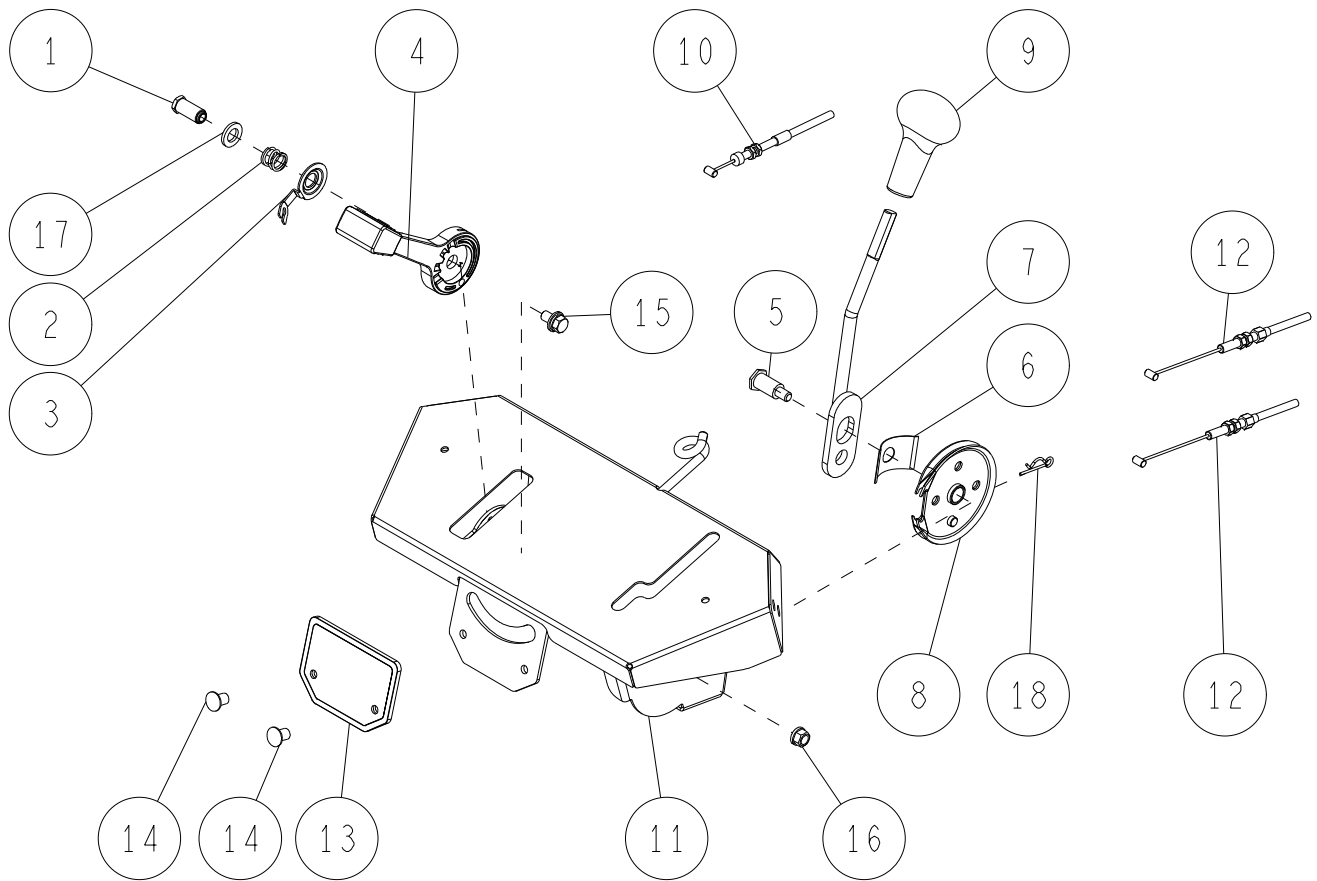
Rotary Cover 6/6



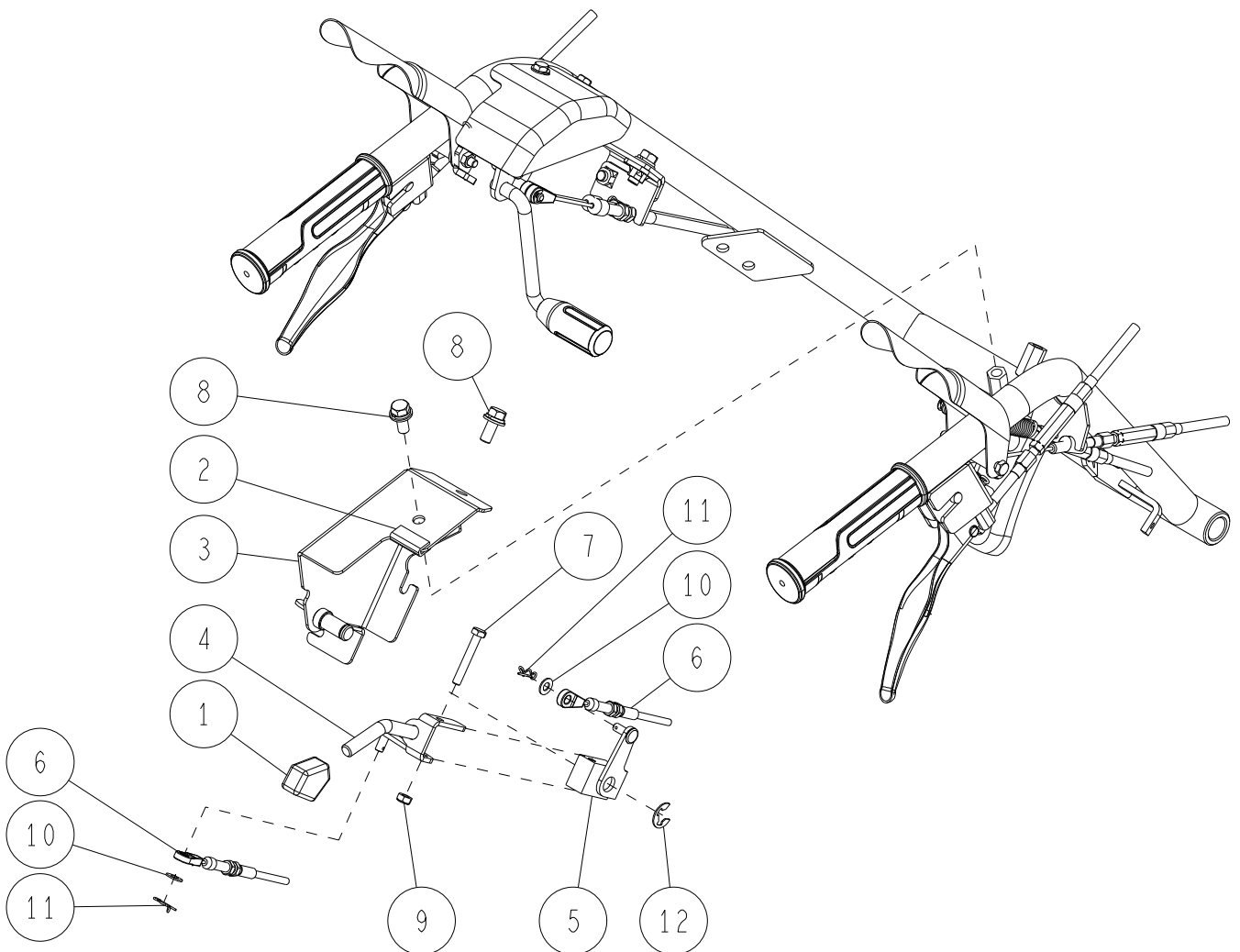
Ref.	Parts No.	Parts Name	Qty	Remark	R/P
1	0355-5010G	Rotary Cover CMP (Green)	1		
2	0355-5020G	Rotary Base CMP (Green)	1		
3	89-1253-080162	Flange Mini Hexagonal Bolt (8T) M8*16	10		
4	89-1671-080042	Mini Cap Nut M8	10		
5	89-1712-080002	Flat Washer 8	10		
6	89-1750-080002	Spring Washer 8	10		



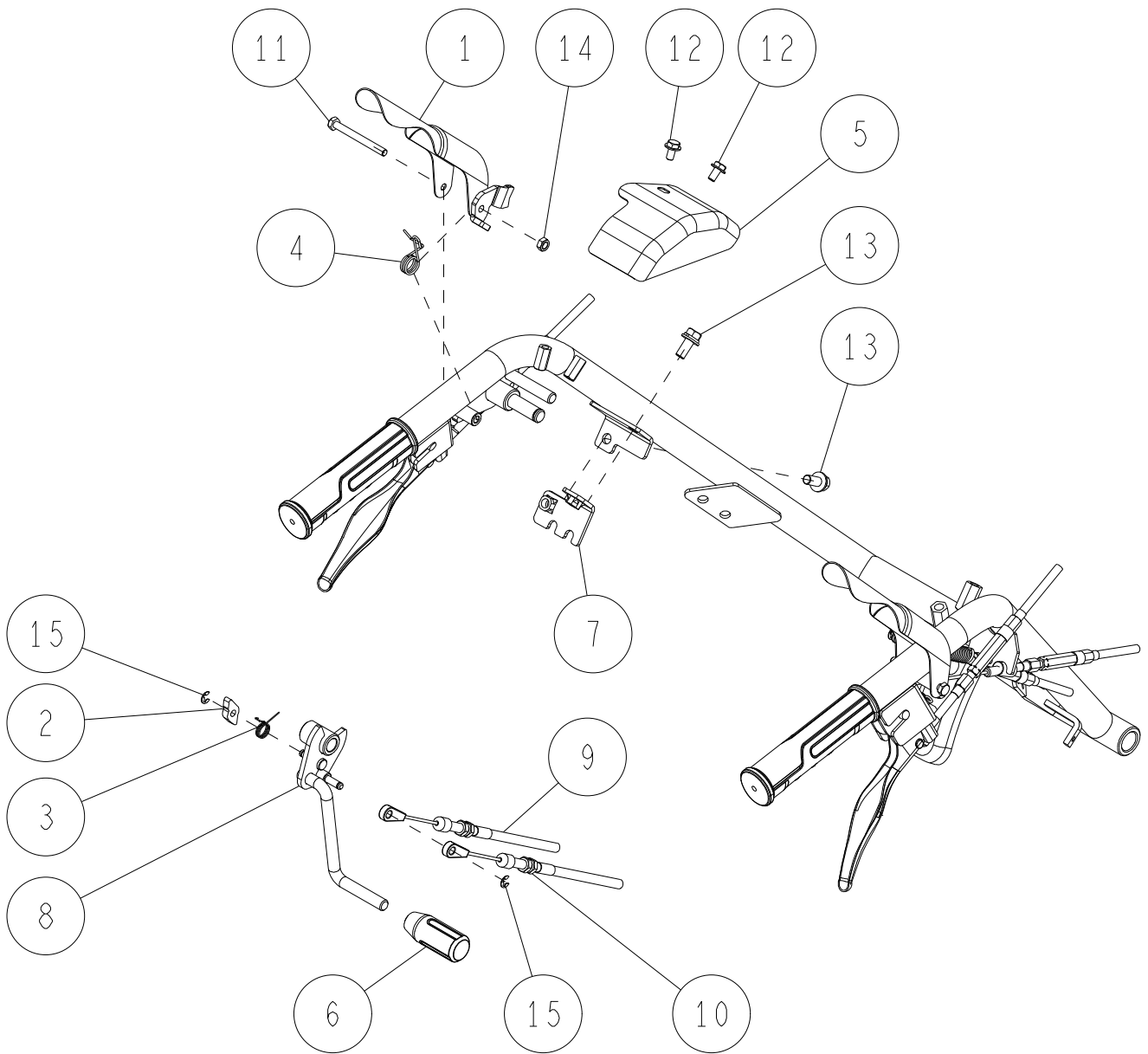
Ref.	Parts No.	Parts Name	Qty	Remark	R/P
1	0355-12101	Handle Bonnet (White)	1		
2	89-1137-060122	Hexagonal Bolt (PW) M6*12	2		
3	89-1239-080202	Mini Hexagonal Bolt (PWSW) M8*20	4		
4	-	Control Panel Assy	1	P.22	



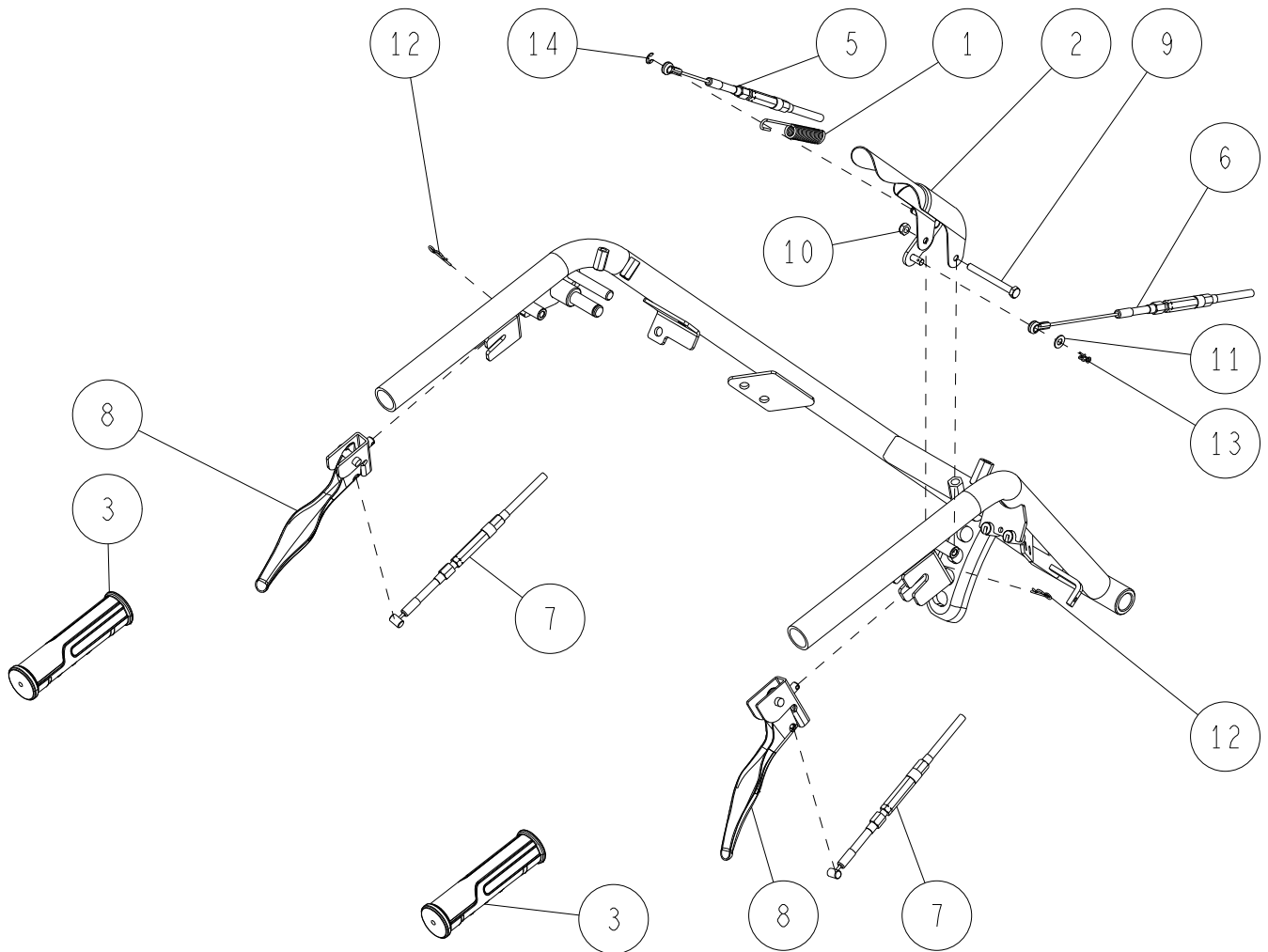
Ref.	Parts No.	Parts Name	Qty	Remark	R/P
1	80-1020-262-00	Control Lever Shaft	1		
2	80-1020-263-00	Control Lever Shaft Spring	1		
3	80-1020-264-00	Control Washer	1		
4	80-1020-265-00	Throttle Lever (H)	1		★
5	80-1210-267-00	Wire Guide Axle	1		
6	80-1310-268-00	Non Flap Spring	1		
7	80-1417-263-00	Change Lever	1		
8	80-1417-266-11	Wire Guide B (White)	1		
9	0221-13200	Change Grip	1		
10	0257-72800	Throttle Wire (CV224)	1		★★
11	0355-10211	Control Panel CMP (White)	1		
12	0355-70700	Shift Cable	2		★★
13	0355-79100	Climeter	1		
14	83-1484-369-00	Clip (5347)	2		
15	89-1239-080162	Mini Hexagonal Bolt (PWSW) M8*16	1		
16	89-1543-080002	Mini Hexagonal Nut (SW) M8	1		
17	89-1711-120003	Flat Washer 12	1		
18	89-2131-120002	Snap Pin 12	1		



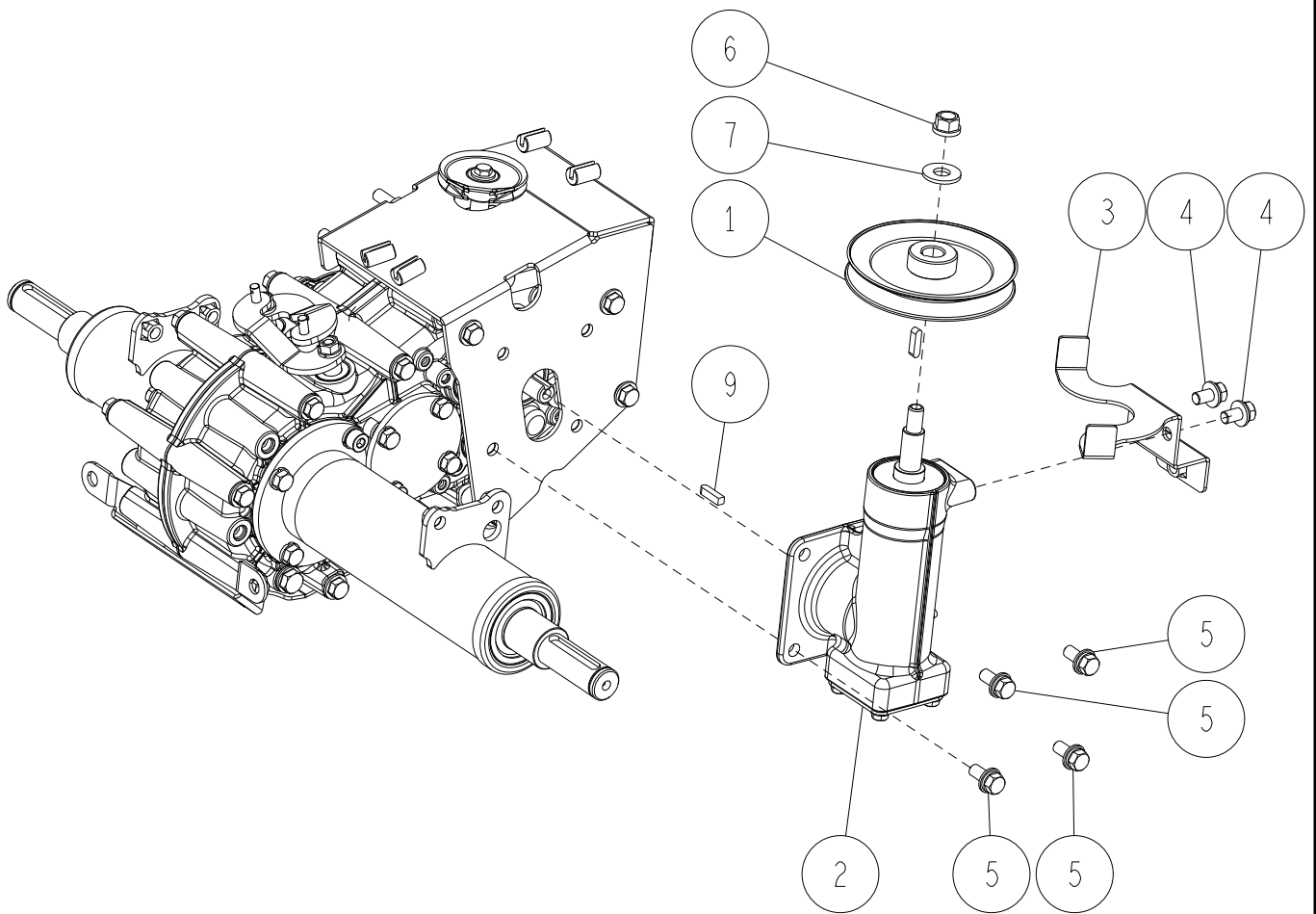
Ref.	Parts No.	Parts Name	Qty	Remark	R/P
1	80-1761-291-00	Lever Cap	1		
2	0285-66100	Rubber L30	1		
3	0355-10311	Cable Bracket CMP (White)	1	*2)	
	0355-10301	Cable Bracket CMP (White)	1		
4	0355-10400	Handle Adjust Lever CMP	1		
5	0355-10500	Arm CMP	1		
6	0355-70500	Handle Adjusting Cable	2		★
7	89-1111-060402	Hexagonal Bolt M6*40	1		
8	89-1239-080202	Mini Hexagonal Bolt (PWSW) M8*20	2		
9	89-1551-060002	Hexagonal U Nut M6	1		
10	89-1711-060002	Flat Washer 6	2		
11	89-2132-060002	Snap Pin 6 (with stopper)	2		
12	89-2521-000100	E Type Ring 10	1		



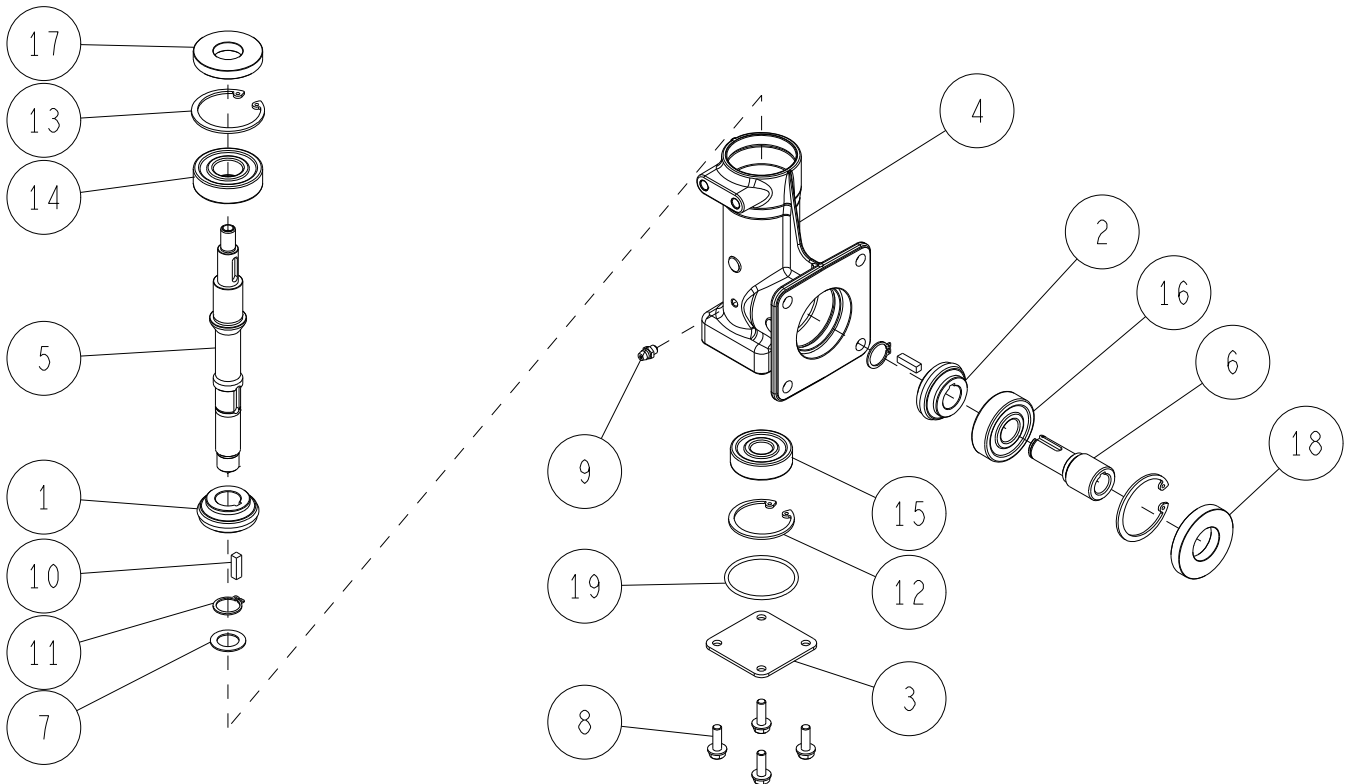
Ref.	Parts No.	Parts Name	Qty	Remark	R/P
1	80-1417-251-20	Blade Clutch Lever CMP	1		
2	80-1417-253-00	Stopper	1		
3	80-1417-972-20	Spring for Stopper Return	1		
4	80-1417-973-10	Blade Clutch Lever Return Spring	1		
5	0220-10301	Upper Cover (White)	1		
6	0334-75200	Lever Grip (Red) 10	1		
7	0355-10601	Cable Bracket B CMP (White)	1		
8	0355-10700	Blade Clutch Lever	1		
9	0355-70100	Blade Clutch Cable	1		★★
10	0355-70400	Blade Brake Cable	1		★★
11	89-1113-060602	Hexagonal Bolt (8T) M6*60	1		
12	89-1137-060122	Hexagonal Bolt (PW) M6*12	2		
13	89-1239-080202	Mini Hexagonal Bolt (PWSW) M8*20	2		
14	89-1551-060002	Hexagonal U Nut M6	1		
15	89-2521-000050	E Type Ring 5	2		



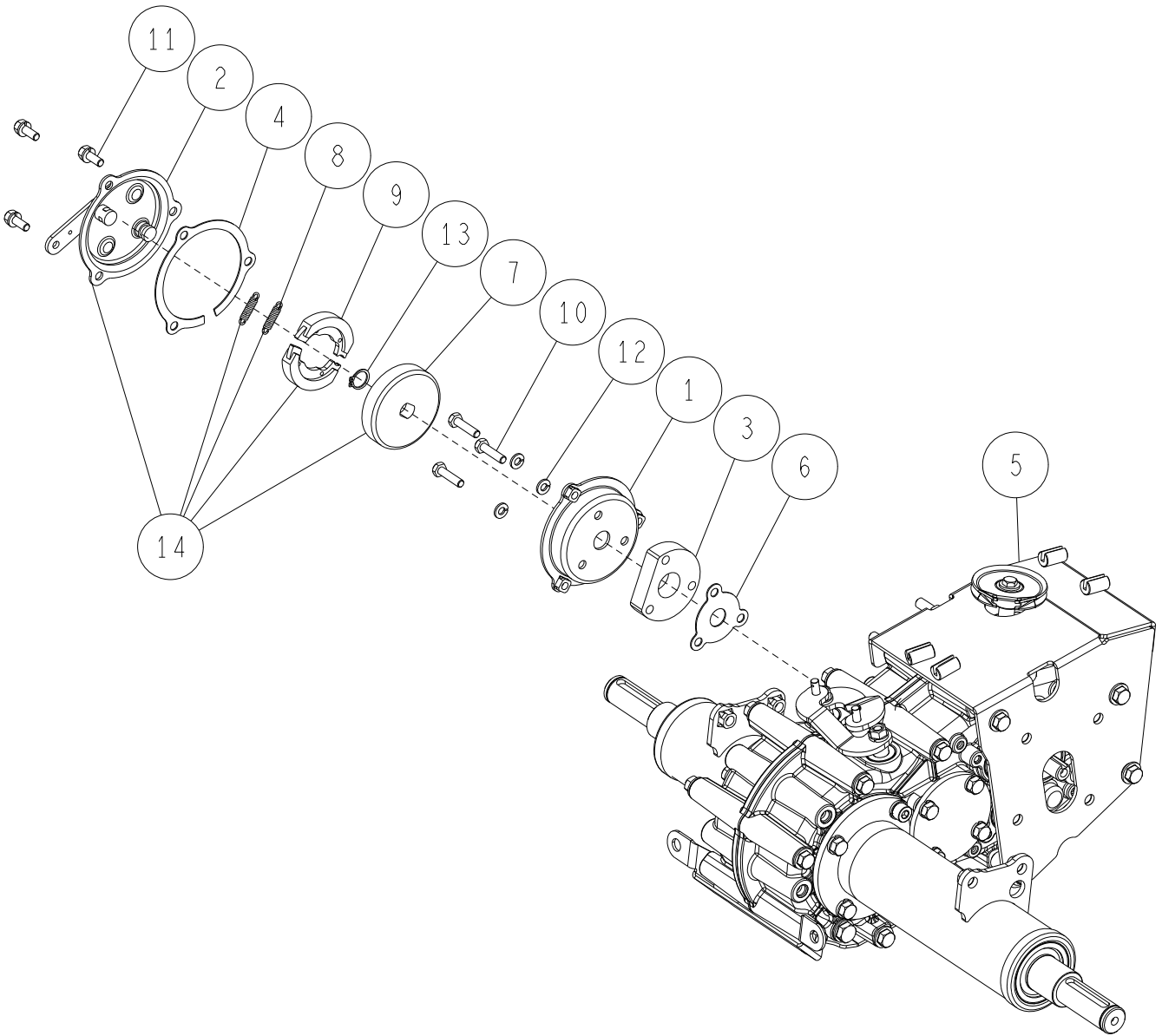
Ref.	Parts No.	Parts Name	Qty	Remark	R/P
1	0211-20600	Brake Spring	1		
2	0220-10200	Driving Clutch Lever	1		
3	0334-75300	Handle Grip 27	2		
4	0355-10110	Handle CMP	1	*2)	
	0355-10100	Handle CMP	1		
5	0355-70200	Blade Clutch Cable	1		★★
6	0355-70300	Brake Cable	1		★
7	0355-70600	Steering Clutch Cable	2		★★
8	83-1761-457-00	Side Clutch Lever	2		
9	89-1113-060602	Hexagonal Bolt (8T) M6*60	1		
10	89-1551-060002	Hexagonal U Nut M6	1		
11	89-1711-060002	Flat Washer 6	1		
12	89-2131-080002	Snap Pin 8	2		
13	89-2132-060002	Snap Pin 6 (with stopper)	1		
14	89-2521-000050	E Type Ring 5	1		



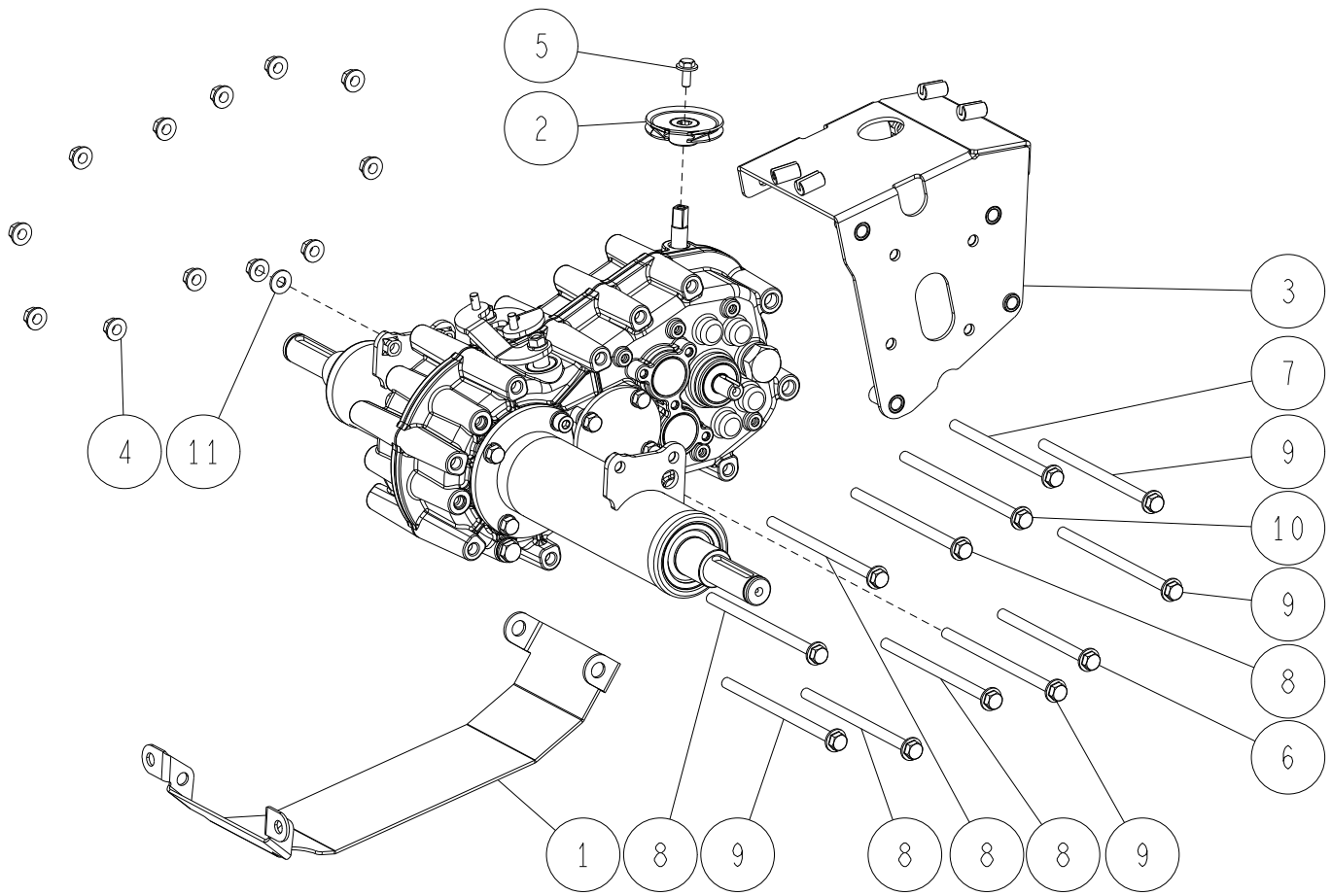
Ref.	Parts No.	Parts Name	Qty	Remark	R/P
1	0355-00700	Transmission Pulley	1		★
2	0355-02000	Gear Box Assy	1		
3	0355-4051H	Belt Holder CMP (Metallic Grey)	1	*2)	
	0355-4050H	Belt Holder CMP (Metallic Grey)	1		
4	89-1239-080162	Mini Hexagonal Bolt (PWSW) M8*16	2		
5	89-1239-080202	Mini Hexagonal Bolt (PWSW) M8*20	4		
6	89-1543-100002	Mini Hexagonal Nut (SW) M10	1		
7	89-1713-100002	Flat Washer 10 (large)	1		
8	89-2150-050200	Key 5*20 (round)	1		
9	89-2151-050200	Key 5*20 (half round)	1		



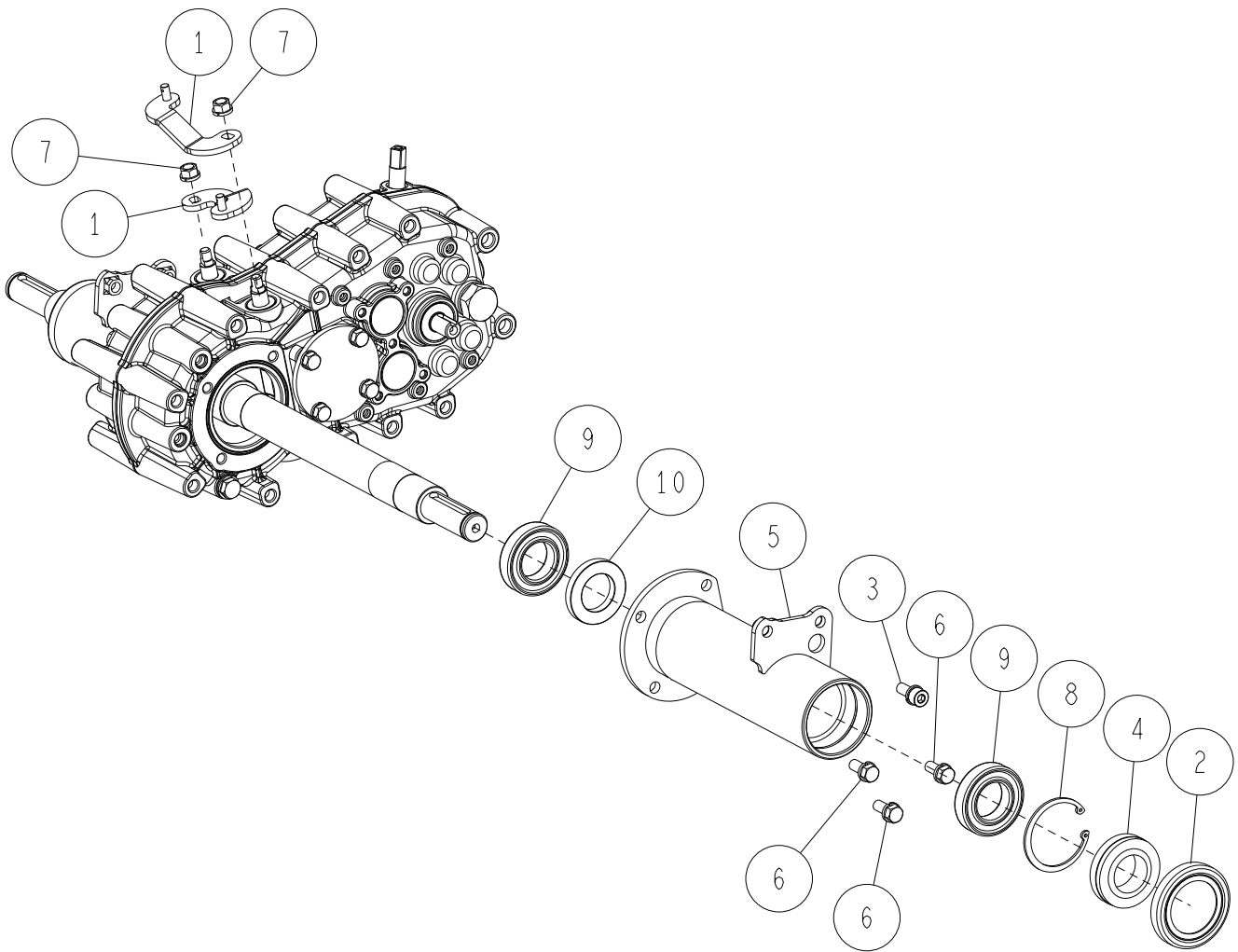
Ref.	Parts No.	Parts Name	Qty	Remark	R/P
1	0286-50600	Spiral Miter (R) 14T	1		
2	0286-50700	Spiral Miter (L) 14T	1		
3	0317-52400	Gearbox Cap (B)	1		
4	0355-00100	Gear Box	1		
5	0355-00200	Vertical Shaft	1		
6	0355-00300	Horizontal Shaft CMP	1		
7	83-1020-361-00	Thrust Washer 15*24*1.0	1		
8	83-1035-148-00	Tapping Bolt M6*18	4		
9	83-1415-975-00	Grease Nipple M6	1		
10	89-2152-050180	Key 5*18	2		
11	89-2511-000170	Snap Ring (S17)	2		
12	89-2512-000420	Snap Ring (R42)	1		
13	89-2512-000470	Snap Ring (R47)	2		
14	89-3115-062044	Bearing 6204 2RS	1		
15	89-3115-063024	Bearing 6302 2RS	1		
16	89-3115-063034	Bearing 6303 2RS	1		
17	89-5121-204707	Oil Seal UE 20.47.7	1		
18	89-5121-255208	Oil Seal UE 25.52.8	1		
19	89-5222-045000	O Ring G45	1		



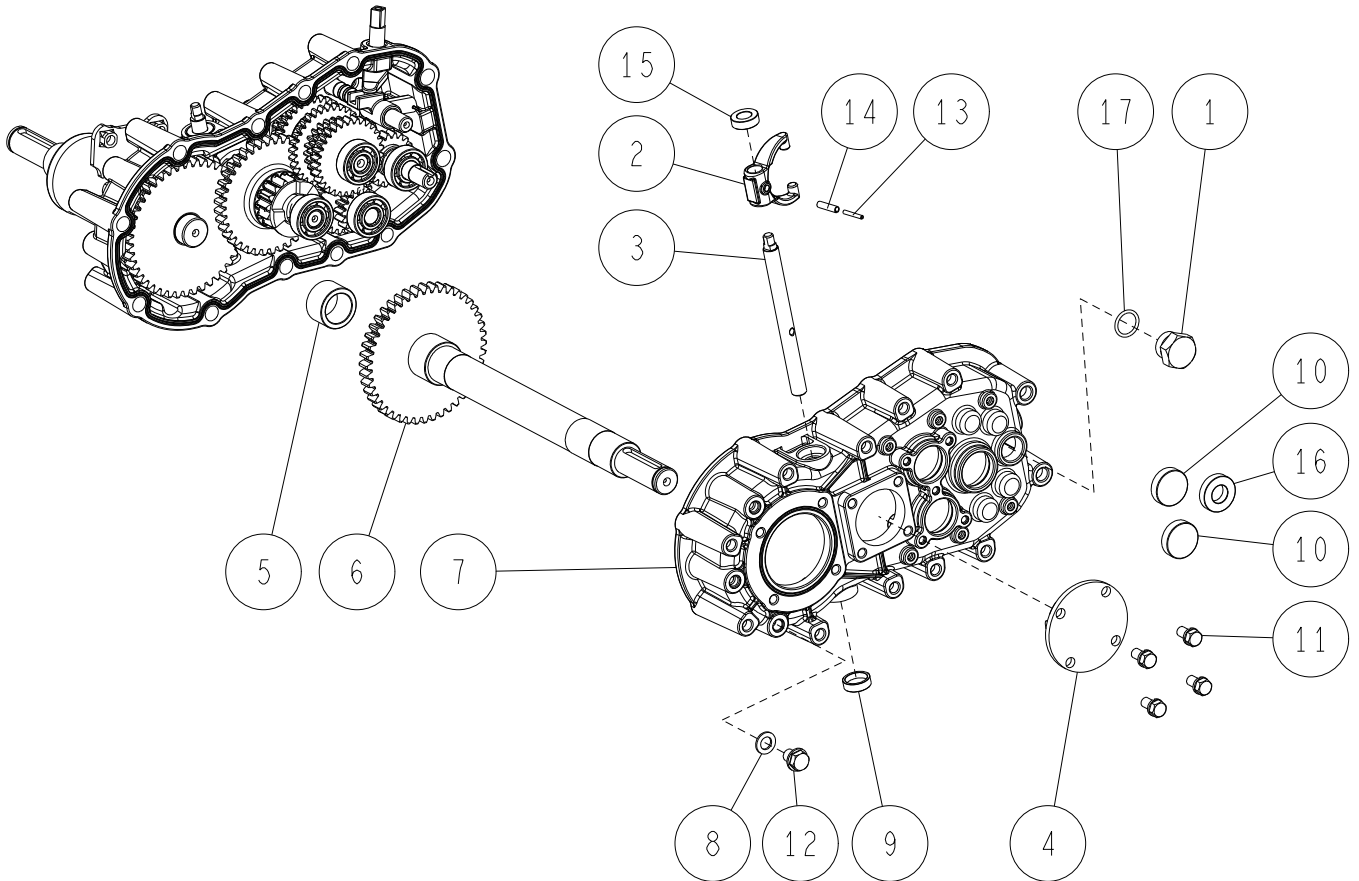
Ref.	Parts No.	Parts Name	Qty	Remark	R/P
1	80-1614-312-01	Brake Cover CMP (White)	1		
2	80-1614-314-00	Brake Cover	1		
3	80-1920-313-01	Brake Cover Spacer (White)	1		
4	0211-31800	Brake Packing (Large)	1		
5	0355-01000	Transmission Assy	1		
6	85-1445-317-00	Brake Packing (Small)	1		
7	85-1711-315-00	Brake Drum	1		
8	85-1711-317-00	Shoe Return Spring	2		
9	85-1711-318-00	Brake Shoe Set	1		
10	89-1111-060252	Hexagonal Bolt M6*25	3		
11	89-1132-060162	Hexagonal Bolt (SW) M6*16	3		
12	89-1750-060002	Spring Washer 6	3		
13	89-2511-000140	Snap Ring (S14)	1		
14	85-1445-310-00	Brake Assy(W6308)	1		



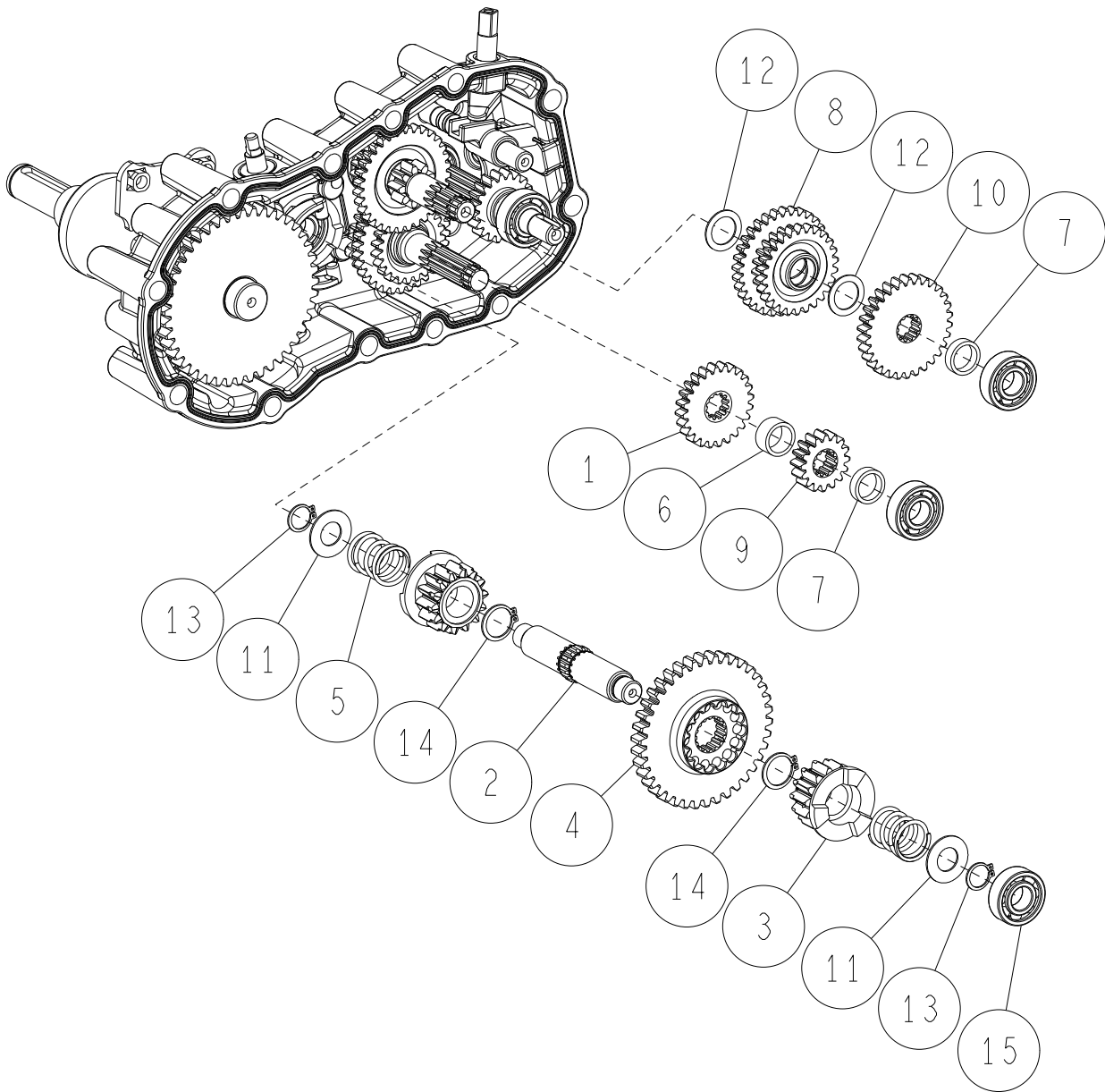
Ref.	Parts No.	Parts Name	Qty	Remark	R/P
1	0267-0180H	Transmission Guard (Metallic Grey)	1		
2	0334-00301	Wire Guide (M) CMP (White)	1		
3	0355-0210H	Cable Bracket CMP (Metallic Grey)	1		
4	83-1484-255-00	Lock Nut ZUF M8	12		
5	83-1565-111-00	Hexagonal Bolt (with Big Washer) M6*16	1		
6	89-1253-081153	Flange Mini Hexagonal Bolt (8T) M8*115	1		
7	89-1253-081303	Flange Mini Hexagonal Bolt (8T) M8*130	1		
8	89-1253-081403	Flange Mini Hexagonal Bolt (8T) M8*140	5		
9	89-1253-081453	Flange Mini Hexagonal Bolt (8T) M8*145	4		
10	89-1253-081552	Flange Mini Hexagonal Bolt (8T) M8*155	1		
11	89-1712-080002	Flat Washer 8	1		



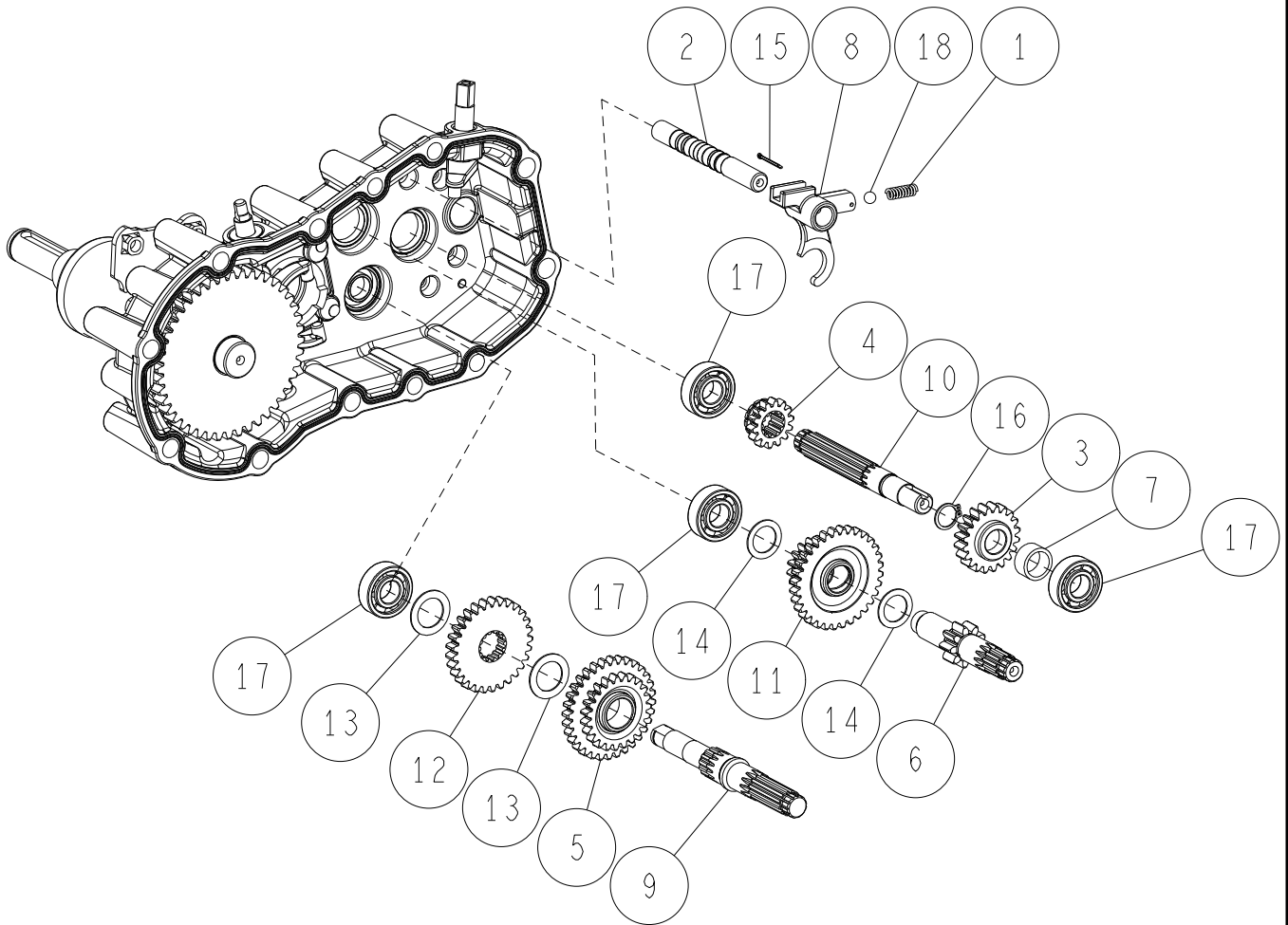
Ref.	Parts No.	Parts Name	Qty	Remark	R/P
1	80-1920-153-0H	Side Clutch Arm (Metallic Grey)	2		
2	0267-00700	Dust Cover	1		★
3	0267-71800	Seal Bolt M8×20	1		
4	0297-08000	Oil Seal AP 35.55.16	1		
5	0355-0160H	Axle BB Case (R) CMP (Metallic Grey)	3		
6	83-1415-127-00	Seal Bolt (SW) M8*20	1		★★
7	89-1543-080002	Mini Hexagonal Nut (SW) M8	2		
8	89-2512-000550	Snap Ring (R55)	1		
9	89-3115-060064	Bearing 6006 2RS	2		★
10	89-5121-305007	Oil Seal UE 30.50.7	1		



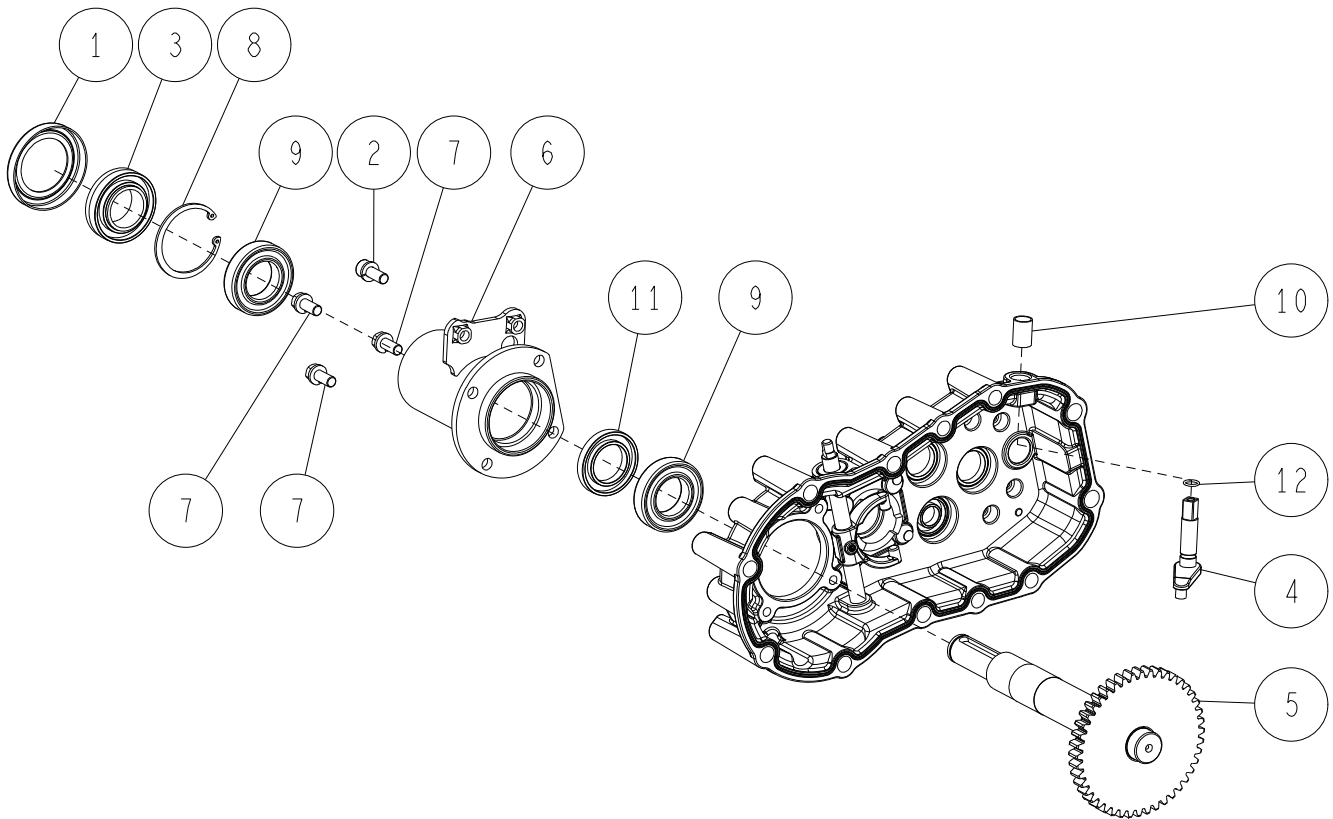
Ref.	Parts No.	Parts Name	Qty	Remark	R/P
1	80-1032-119-00	Oil Cock M22	1		
2	80-1415-114-00	Side Clutch Fork	1		
3	80-1425-112-00	Driving Clutch Fork Shaft	1		
4	80-1575-152-1H	Side Clutch Shaft BB Case (Metallic Grey)	1		
5	80-1920-147-00	Axle Collar	1		
6	0355-01300	Axle (L) CMP	1		
7	0355-01900	Transmission Case (L)	1		
8	83-1020-349-00	Copper Packing 10.5*18*1.6	1		
9	83-1415-671-00	Blind Cover 22	1		
10	83-1415-672-00	Blind Cover 30	2		
11	89-1232-080162	Mini Hexagonal Bolt (SW) M8*16	4		
12	89-1254-100122	Flange Mini Hexagonal Bolt M10*12 P=1	1		
13	89-2111-030020	Spring Pin 3*20	1		
14	89-2111-050020	Spring Pin 5*20	1		
15	89-5121-122207	Oil Seal UE 12.22.7	1		
16	89-5121-153007	Oil Seal UE 15.30.7	1		
17	89-5221-018000	O Ring P18	1		



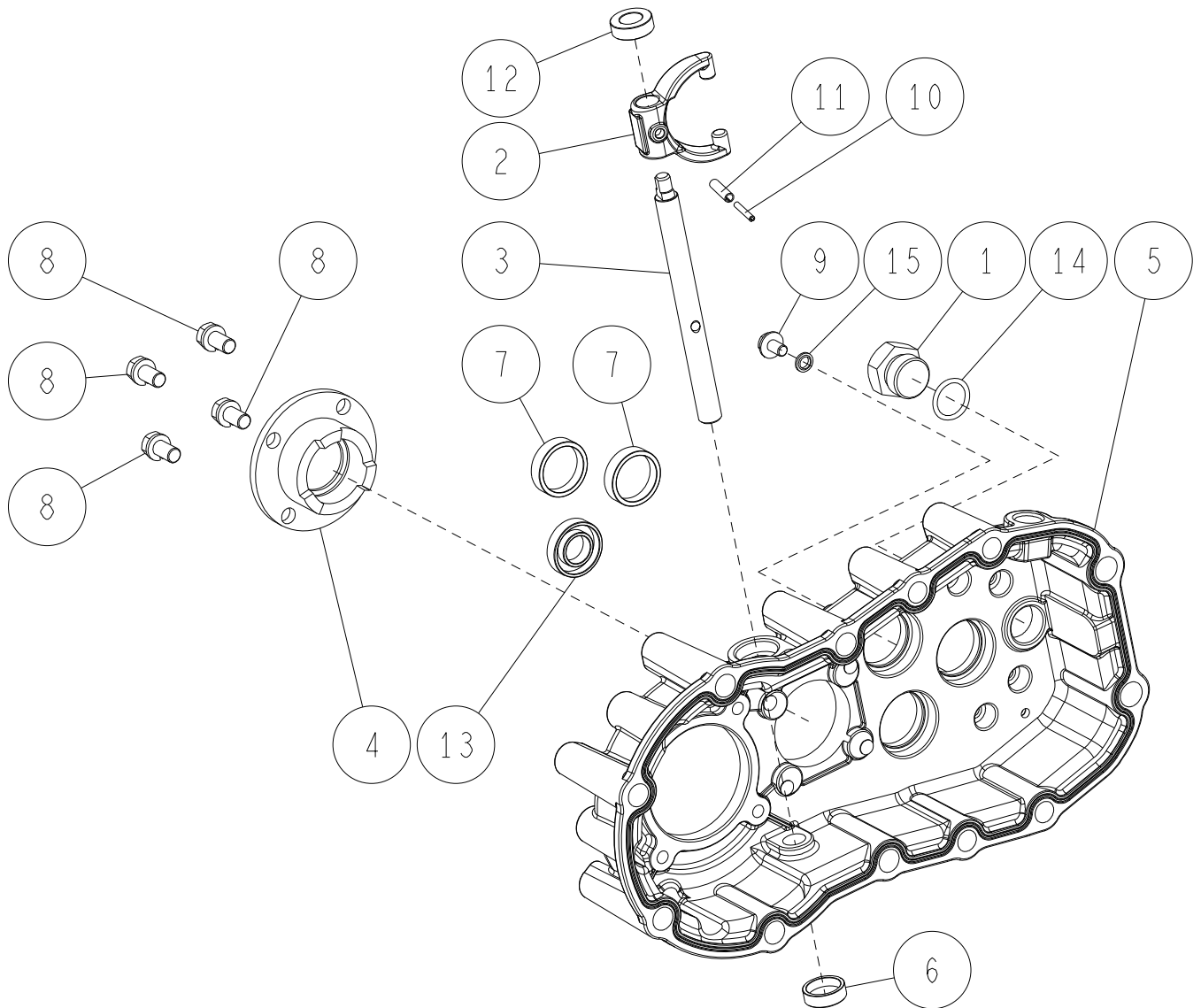
Ref.	Parts No.	Parts Name	Qty	Remark	R/P
1	80-1575-129-10	2nd Shaft Gear 24T	1		
2	80-1575-140-00	Side Clutch Shaft	1		
3	80-1575-141-00	Side Clutch Gear 14T	2		
4	80-1575-142-00	Side Clutch Gear 38T	1		
5	80-1575-162-00	Side Clutch Spring	2		
6	0223-02400	Collar 11L	1		
7	0223-02500	Collar 6L	2		
8	0251-01610	3rd Shaft Gear 22T	1		
9	0267-00500	2nd Shaft Gear 16T	1		
10	0267-00600	3rd Shaft Gear 30T	1		
11	83-1633-362-10	Thrust Washer 15*30*1.2	2		
12	83-1830-368-00	Thrust Washer 18*26*1.0	2		
13	89-2511-000150	Snap Ring (S15)	2		
14	89-2511-000200	Snap Ring (S20)	2		
15	89-3111-062024	Bearing 6202	4		



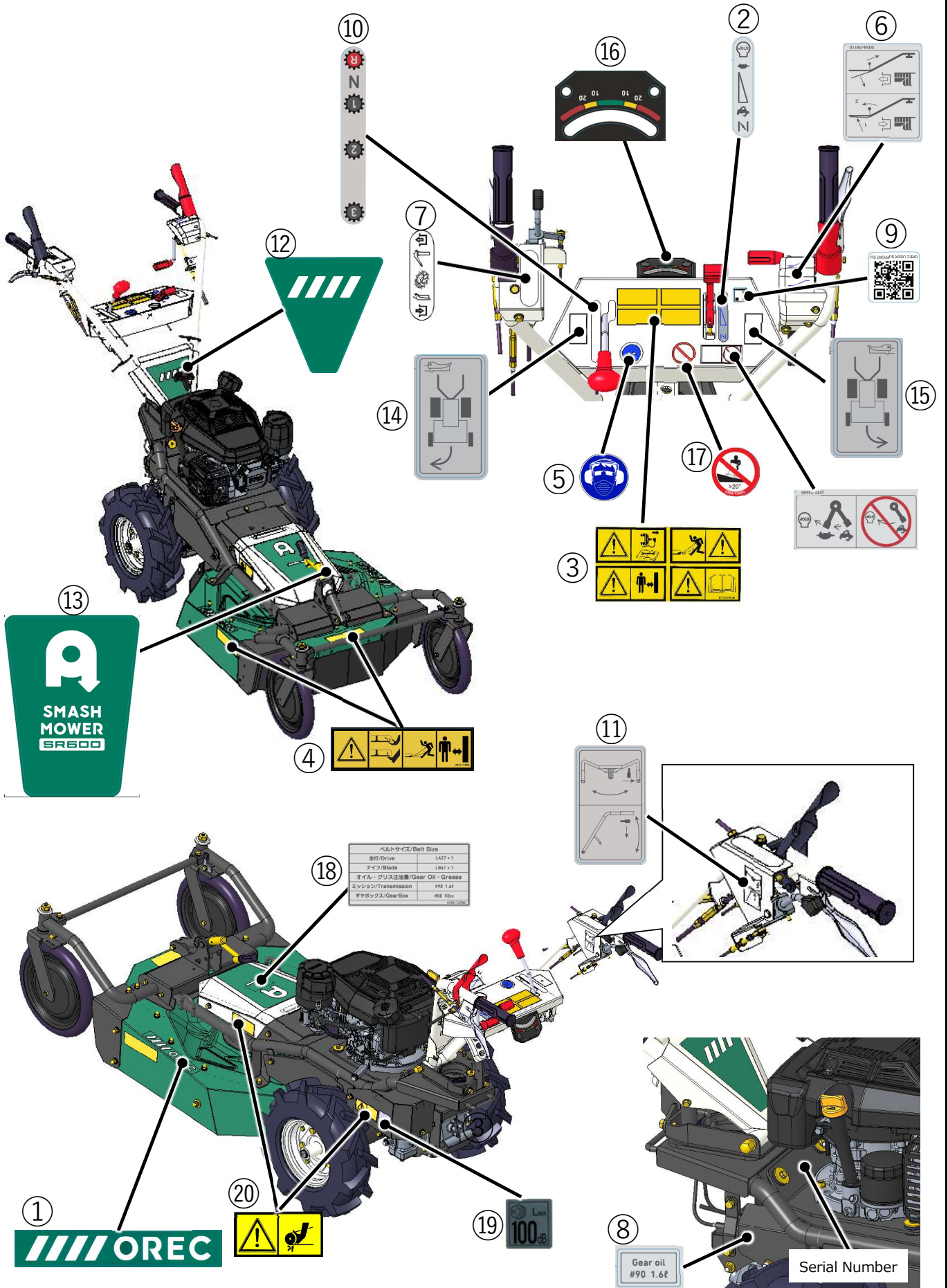
Ref.	Parts No.	Parts Name	Qty	Remark	R/P
1	80-1310-138-00	Spring 1.4	1		
2	0223-00400	Shift Fork Shaft	1		
3	0223-00600	1st Shaft Gear 20T	1		
4	0223-00700	1st Shaft Shift Gear 14T	1		
5	0223-01200	Back Gear CMP	1		
6	0223-01400	3rd Shaft	1		
7	0223-02400	Collar 11L	1		
8	0251-00300	Shift Folk	1		
9	0301-00500	2nd Shaft	1		
10	0355-01100	1st Shaft	1		
11	0355-01400	3rd Shaft 17T Gear CMP	1		
12	0355-01500	2nd Shaft 29T Gear	1		
13	83-1310-371-00	Thrust Washer 20*30*1.0	2		
14	83-1830-368-00	Thrust Washer 18*26*1.0	2		
15	89-2120-200202	Split Pin 2*20	1		
16	89-2511-000150	Snap Ring (S15)	1		
17	89-3111-062024	Bearing 6202	4		
18	89-3410-075000	Steel Ball 7.5	1		



Ref.	Parts No.	Parts Name	Qty	Remark	R/P
1	0267-00700	Dust Cover	1		★
2	0267-71800	Seal Bolt M8×20	1		
3	0297-08000	Oil Seal AP 35.55.16	1		★★
4	0334-00500	Swing Arm	1		
5	0355-01200	Axle (R) CMP	1		
6	0355-0170H	Axle BB Case (L) CMP (Metallic Grey)	1		
7	83-1415-127-00	Seal Bolt (SW) M8*20	3		
8	89-2512-000550	Snap Ring (R55)	1		
9	89-3115-060064	Bearing 6006 2RS	2		★
10	89-3510-012200	DU Bush 12.20	1		
11	89-5121-305007	Oil Seal UE 30.50.7	1		
12	89-5221-009000	O Ring P9	1		



Ref.	Parts No.	Parts Name	Qty	Remark	R/P
1	80-1032-119-00	Oil Cock M22	1		
2	80-1415-114-00	Side Clutch Fork	1		
3	80-1425-112-00	Driving Clutch Folk Shaft	1		
4	80-1575-152-1H	Side Clutch Shaft BB Case (Metallic Grey)	1		
5	0355-01800	Transmission Case (R)	1		
6	83-1415-671-00	Blind Cover 22	1		
7	83-1415-672-00	Blind Cover 30	2		
8	89-1232-080162	Mini Hexagonal Bolt (SW) M8*16	4		
9	89-1251-060102	Flange Hexagonal Bolt M6*10	1		
10	89-2111-030020	Spring Pin 3*20	1		
11	89-2111-050020	Spring Pin 5*20	1		
12	89-5121-122207	Oil Seal UE 12.22.7	1		
13	89-5121-153007	Oil Seal UE 15.30.7	1		
14	89-5221-018000	O Ring P18	1		
15	89-5230-060000	Seal Washer 6	1		



ベルトサイズ/Belt Size	LA27 x 1
走行/Drive	LA27 x 1
ナイフ/Blade	LA61 x 1
オイル・グリス注油量/Gear Oil - Grease	
ミッション/Transmission	#90 1.6ℓ
ギヤボックス/Gear Box	#90 50cc
	900-1276

Gear oil #90 1.6ℓ

Serial Number



Ref.	Parts No.	Parts Name	Qty	Remark	R/P
1	0051-71700	Label, OREC Logo B26	2		
2	0214-73800	Label, Throttle	1		
3	0223-76100	Label, Caution (Large)	1		
4	0257-71800	Label, Caution (Middle)	3		
5	0270-71300	Label, Protection Equipment	1		
6	0334-76110	Label, Cutting	1		
7	0334-76210	Label, Driving	1		
8	0335-75600	Label, Gear Oil	1		
9	0340-78200	QR Code EU	1		
10	0355-72100	Label, Geer Shift	1		
11	0355-72200	Label, Handle Adjustment	1		
12	0355-72300	Label, Handle Cover	1		
13	0355-72400	Label, SR600	1		
14	0355-72500	Label, Steering (R)	1		
15	0355-72600	Label, Steering (L)	1		
16	0355-72700	Label, Clinometer	1		
17	0355-72800	Label, Caution Slope 20°	1		
18	0355-72900	Label, Belt Size	1		
19	80-1020-932-00	Label, Noise 100db	1		
20	80-1488-928-10	Label, Caution for Belt Involving	3		