

Hustler® Parts Manual

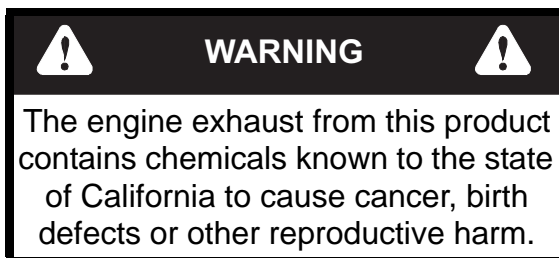


HUSTLER®
TURF EQUIPMENT

200 South Ridge Road

Hesston, Kansas

67062



NOTICE OF REQUIREMENT OF SPARK ARRESTER MUFFLER

This equipment may create sparks that can start fires around dry vegetation. California Public Resources Code Section 4442.6 provides that it is unlawful to use or operate an internal combustion engine on any forest-covered, brush-covered, or grass-covered land unless the engine is equipped with a spark arrester maintained in effective working order. A spark arrester is a device constructed of nonflammable materials specifically for the purpose of removing and retaining carbon and other flammable particles over 0.0232 of an inch in size from the exhaust flow of an internal combustion engine that uses hydrocarbon fuels or which is qualified and rated by the United States Forest Service. Other states or federal areas may have similar laws. The Operator Should Contact Local Fire Agencies For Laws or Regulations Relating to Fire Prevention Requirements. **THIS EQUIPMENT DOES NOT HAVE A SPARK ARRESTER AND YOU SHOULD CONTACT YOUR AUTHORIZED DEALER FOR THE PURCHASE OF A SPARK ARRESTER.**

Inspect spark arrester daily; replace every 500 hours or as needed.

The Engine Owner's Manual provides information regarding the U.S. Environmental Protection Agency (EPA) and the California Emission Control Regulation of emission systems, maintenance and warranty.

Keep Engine Owner's Manual with your unit. Should the Engine Owner's Manual become damaged or illegible, replace immediately. Replacements may be ordered per the information found in the Product Information section of the owner's manual.

Federal law and California State law prohibit the following acts or the causing thereof:

1. The removal or rendering inoperative by any person other than for purposes of maintenance, repair, replacement, of any device or element of design incorporated into any equipment for the purposes of emissions control prior to or after its sales or delivery to the ultimate purchaser or while it is in use, or
2. The use of the equipment after such device or element of design has been removed or rendered inoperative by any person.

General Information Page 1

Frame, Engine Guard & Hitch

Frame 2-1
Engine Guard & Hitch 2-2

Transmissions, Drive Belt, Steering & Brake

Hydraulic Transmissions & Drive Belt (Multi-Page) 3-1
SERVICE PARTS - 608512 & 608513 Transmissions 3-2
Steering & Brake (Multi-Page) 3-3
Steering Cover Assembly 3-4
Steering Box Assembly - 607362 & 607363 3-5

Wheels & Tires

Wheels & Tires 4-1
Front Wheel Assembly 4-2
SERVICE PARTS - 606745 Front Tire/Wheel 4-3
Drive Wheel Assembly 4-4

Engine, Muffler, Clutch & Fuel System

Engine, Muffler & Clutch (Multi-Page) 5-1
Engine Service Parts 5-2
Fuel System (Multi-Page) 5-3
SERVICE PARTS - 608411 & 608412 Fuel Tanks 5-4

Instrument Panel, Wire Harness, Fenders & Battery

Instrument Panel & Wire Harness - S/N PRIOR TO 24120832 6-1
Instrument Panel & Wire Harness - S/N 24120832 & HIGHER 6-2
Battery 6-3

Deck, Deck Belt, Blades & Deck Lift

Service Deck 7-1
Pulleys & Spindles 7-2
Deck Pulleys & Spindles 7-3
SERVICE PARTS - 783506 Spindle 7-4
Deck Belt, Pulley Covers, & Blades 7-5
Deck Lift & Mounting Hardware (Multi-Page) - Prior To S/N 21106078 7-6
Deck Lift & Mounting Hardware (Multi-Page) - S/N 21106078 & Higher 7-7

Seat & ROPS

Seat & Footrest (Multi-Page) 8-1
SERVICE PARTS - 608996 Seat 8-2
ROPS 8-3

General Information

Note: When ordering parts, you must use the part number as shown for each part, not the index number. Always give the model and serial number to your parts and service representative.

Note: Items sold in bulk such as seals and hoses are sold by the foot.

Using This Manual

This manual is part of a service package for the Hustler® mowers. Use of this manual in conjunction with other Hustler® mower and component manuals will provide the information necessary to service and maintain Hustler® mowers.

This Parts Manual provides a complete parts listing for the unit. Use this manual when ordering parts. Illustrations used were current at the time of printing, but subsequent production changes may cause your machine to vary slightly in detail. Excel Industries, Inc. reserves the right to redesign and change the machine as deemed necessary, without notification. If a change has been made to your machine which is not reflected in this parts manual, see your authorized dealer for current information and parts.

The Service Manual is a service guide for use by Service Technicians. It provides the necessary information needed to perform normal maintenance requirements on these units.

The Operator's Manual provides fundamental operational information and operational safety that is needed when operating the mower.

The component manuals are furnished by the various manufacturers to be used for the troubleshooting and servicing of their products.

Hardware Description Codes & Abbreviations

The following codes are used throughout this parts manual. Refer to this list when ordering parts.

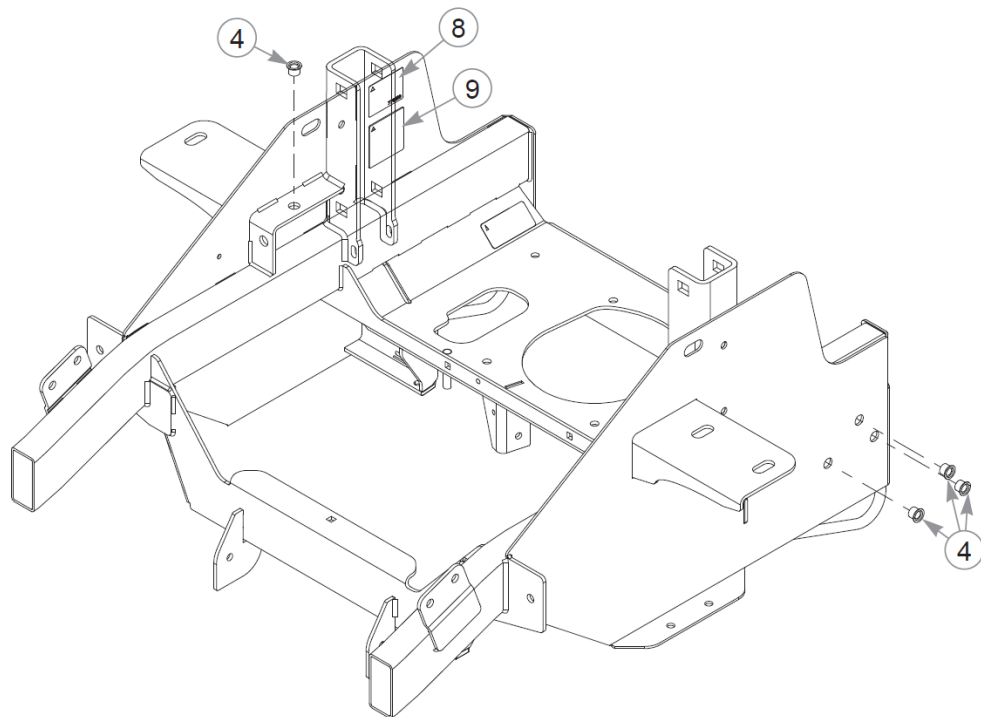
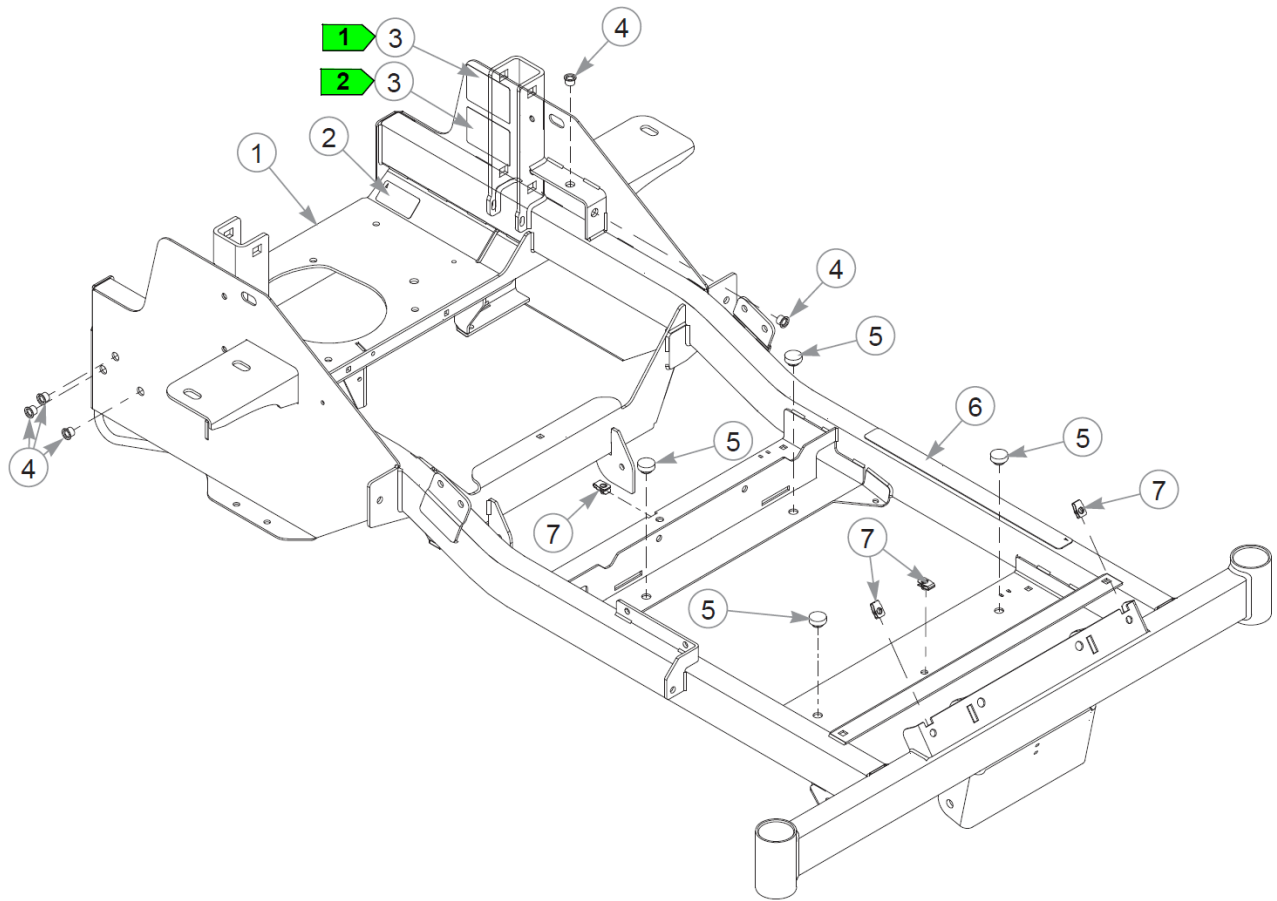
ABBREVIATION	DESCRIPTION	ABBREVIATION	DESCRIPTION
CB	CARRIAGE BOLT	MB	MACHINE BUSHING
CE	CLEVIS PIN	MS	MACHINE SCREW
CN	CLIP NUT	NT	NUT
CP	COTTER PIN	SC	SELF TAPPING CAP SCREW
CS	CAP SCREW	SH	SOCKET HEAD
CW	CUP WASHER	SB	SHOULDER BOLT
FDRW	FENDER WASHER	SS	SET SCREW
FW	FLAT WASHER	OD	OUTSIDE DIAMETER
HX	HEX HEAD	ID	INSIDE DIAMETER
LW	LOCK WASHER	WN	WELD NUT

Standard Torques

The following chart lists the standard torque values for the threaded fasteners found in this manual. Torque all cap screws, nuts and set screws to these values unless a different torque is shown in the Notes section next to the fastener.

SIZE	FT-LBS	N•M	SIZE	FT-LBS	N•M
.250	8.2	11.1	M3	1	1.3
.312	17	23	M4	2.2	3
.375	30	40	M5	4.5	6.1
.438	48	65	M6	7.7	10.4
.500	73	99	M8	18.5	25
.562	105	143	M10	37	50
.625	145	200	M12	64	87
.750	260	350	M14	80	108.5
.875	420	565	M16	160	215
1.00	625	850	M20	320	435
			M24	555	750

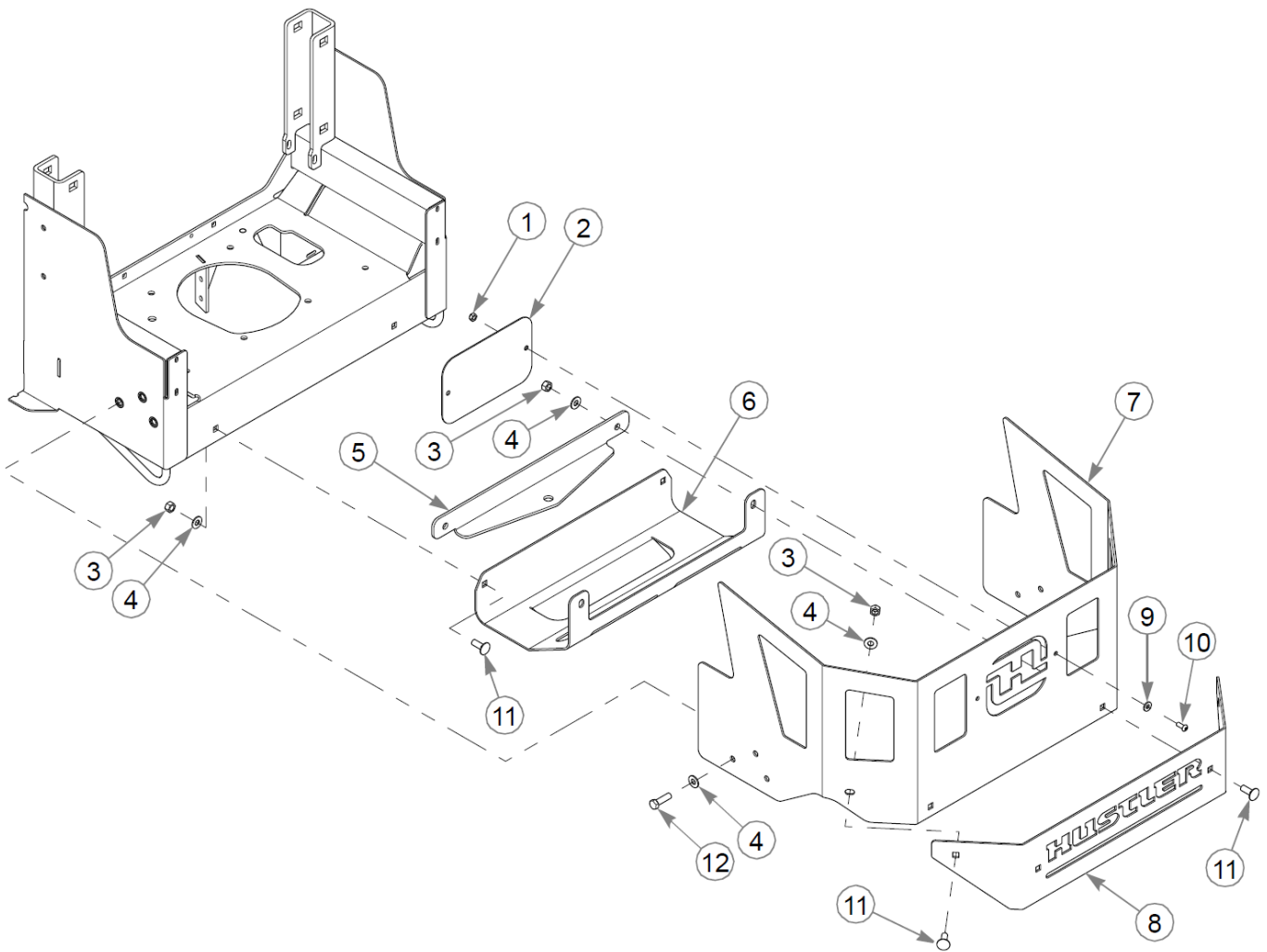
This page intentionally left blank



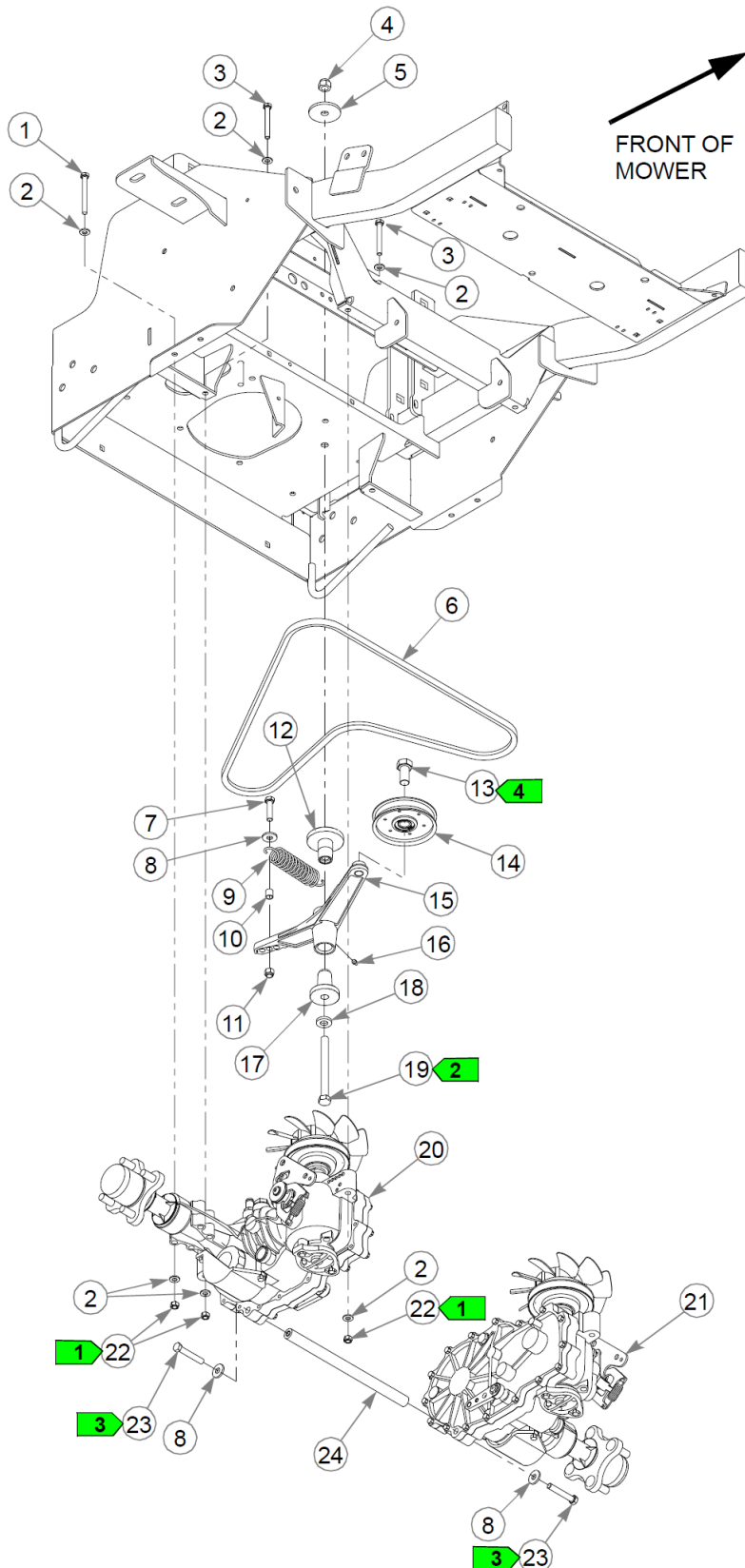
Item	Part No.	Qty	Name
1	556149	1	SVC FRAME
2	602041	2	DECAL, HOT
3		2	SERIAL NUMBER / SPEC. DECAL
4	808493	10	RIVET NUT, 3/8-16 THREA
5	781880	4	BUMPER, .500x 1.00x .31
6	601993	1	DECAL, SAFE OPERATION
7	601982	4	CN .250-20X .150 MAX THK
8	776310	1	DECAL, CE MARK
9	789776CE	1	DBA LIMIT DECAL

Comments for Page: Frame

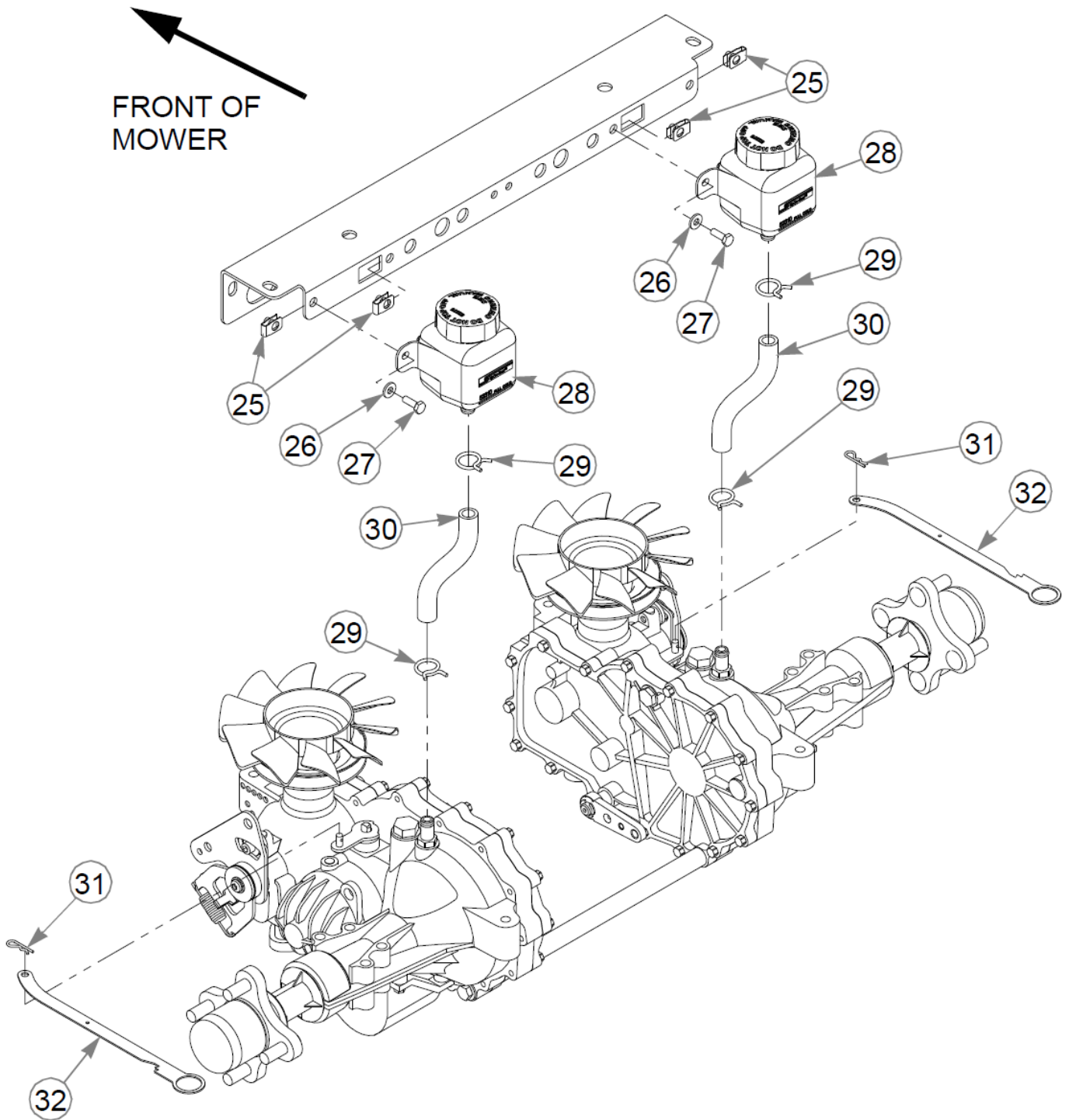
1. Serial number decal. In the event the serial number decal becomes damaged or illegible, please contact your dealer to order a replacement.
2. EPA compliance decal.
3. The frame includes the rivet nuts and decals.



Item	Part No.	Qty	Name
1	068551	2	NT .250-20 HXZY NL
2	128420-6	1	BACKER H LOGO
3	054502	6	NT .375-16HXG5
4	767954	12	FW 0.379X.82X.06 HD ZN
5	128419-6	1	HITCH PLATE
6	128418-6	1	MUFFLER SHIELD
7	128416-1	1	ENGINE GUARD YELLOW
8	128417-6	1	LOGO PLATE
9	605628	2	FW 0.281X.63X.07 ZB
10	608598	2	CS .250-20 X .625 BH TX
11	025395	6	CB .375-16X 1.00 G5 ZN
12	052860	6	CS .375-16X1.25 HX G5 ZN



This page intentionally left blank



Item	Part No.	Qty	Name
1	043067	4	CS .312-18X3.000HXG5
2	768523	16	FW 0.343SAE
3	710087	4	CS .312-18X2.500HXG5
4	781567	1	NT .500-13NLG5
5	344267	1	FW .510X2.15X.19 ZN
6	605468	1	DRIVE BELT
7	080655	1	CS .375-16X1.500HXG5
8	712919	3	FW 0.406X1.00X.12 HD ZN
9	036384	1	SPRING 1/4 COIL PL 1.23
10	605481	1	BUSHING
11	086660	1	NT .375-16NLG8
12	602880	1	BUSHING, IDLER PIVOT
13	781872	1	CS .625-11X1.250HXG5
14	607525	1	PULLEY, IDLER
15	608281	1	TENSIONER, CAST
16	015495	1	GREASE FITTING STRAIGHT
17	602879	1	BUSHING, IDLER PIVOT
18	767962	1	FW .531 x 1.063 x .175
19	051151	1	CS .500-13X5.000HXG5
20	608513	1	TRANS, ZT3200 20.69
21	608512	1	TRANS, ZT3200 20.69
22	058776	8	NT .312-18NLG5
23	608241	2	CS .375-16X2.250HXG8
24	600987	1	ZT SPACER TUBE
25	601982	4	CN .250-20X .150 MAX THK
26	768515	4	FW 0.281SAE
27	055939	4	CS .250-20X0.75 HX G5 ZN
28	605217	2	RESERVOIR, SINGLE FTNG
29	601001	4	SPRING CLAMP, .75" DIA
30	605218	2	OVERFLOW HOSE, FST
31	706549	2	HP0.080X1.190
32	120126	2	LINK, TOW VALVE
33	601052	1	OIL, 20W-50 (1.83 GALLONS)

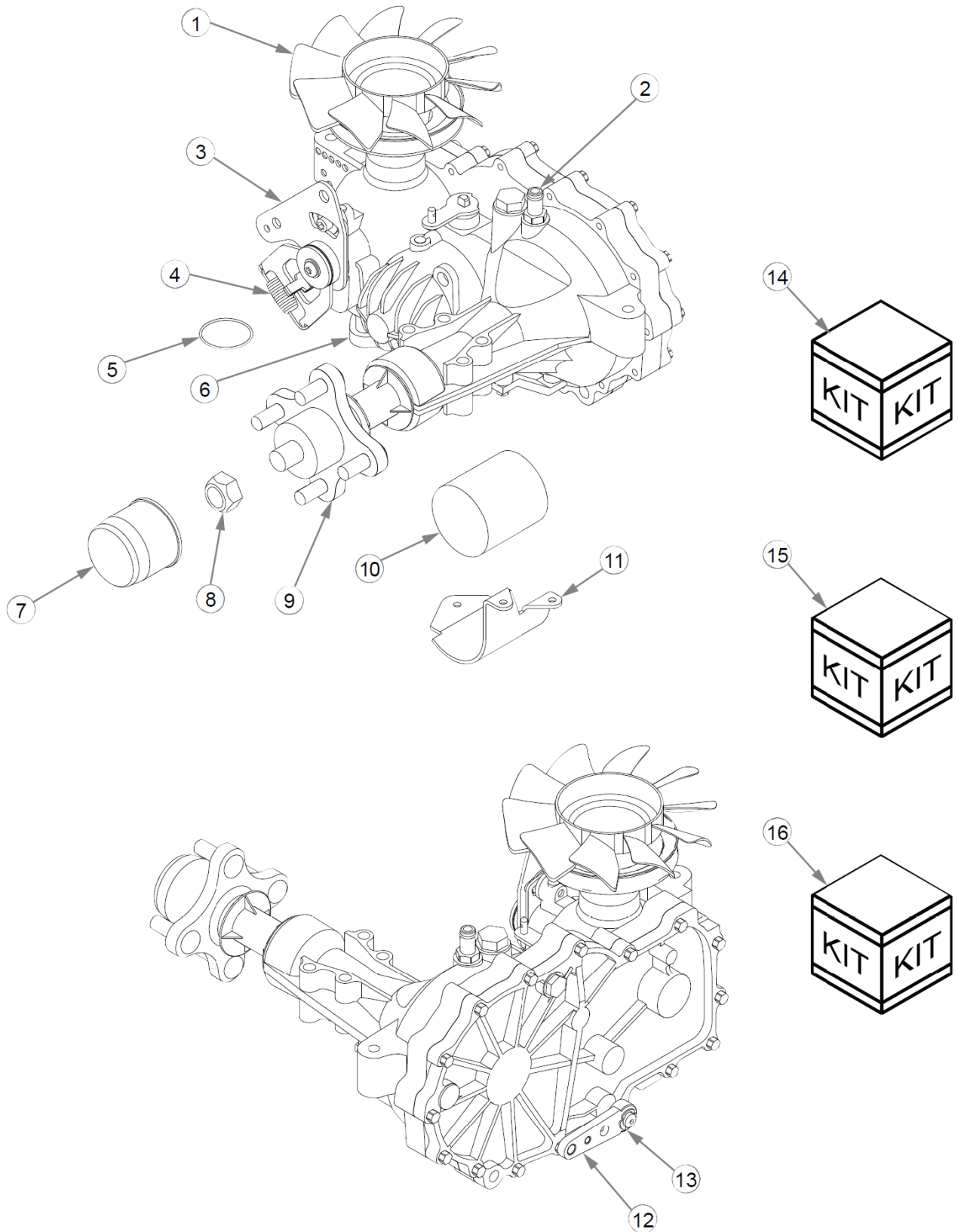
Comments for Page: Hydraulic Transmissions & Drive Belt (Multi-Page)

Hydraulic Transmissions & Drive Belt (Multi-Page)

54" RD FasTrak Parts Manual - 943449CE -
HTFSTR054KAWFT691VC

1. Torque to 23 N•m.
2. Torque to 96–102 N•m.
3. Torque to 41 N•m.
4. Torque to 68 N•m.

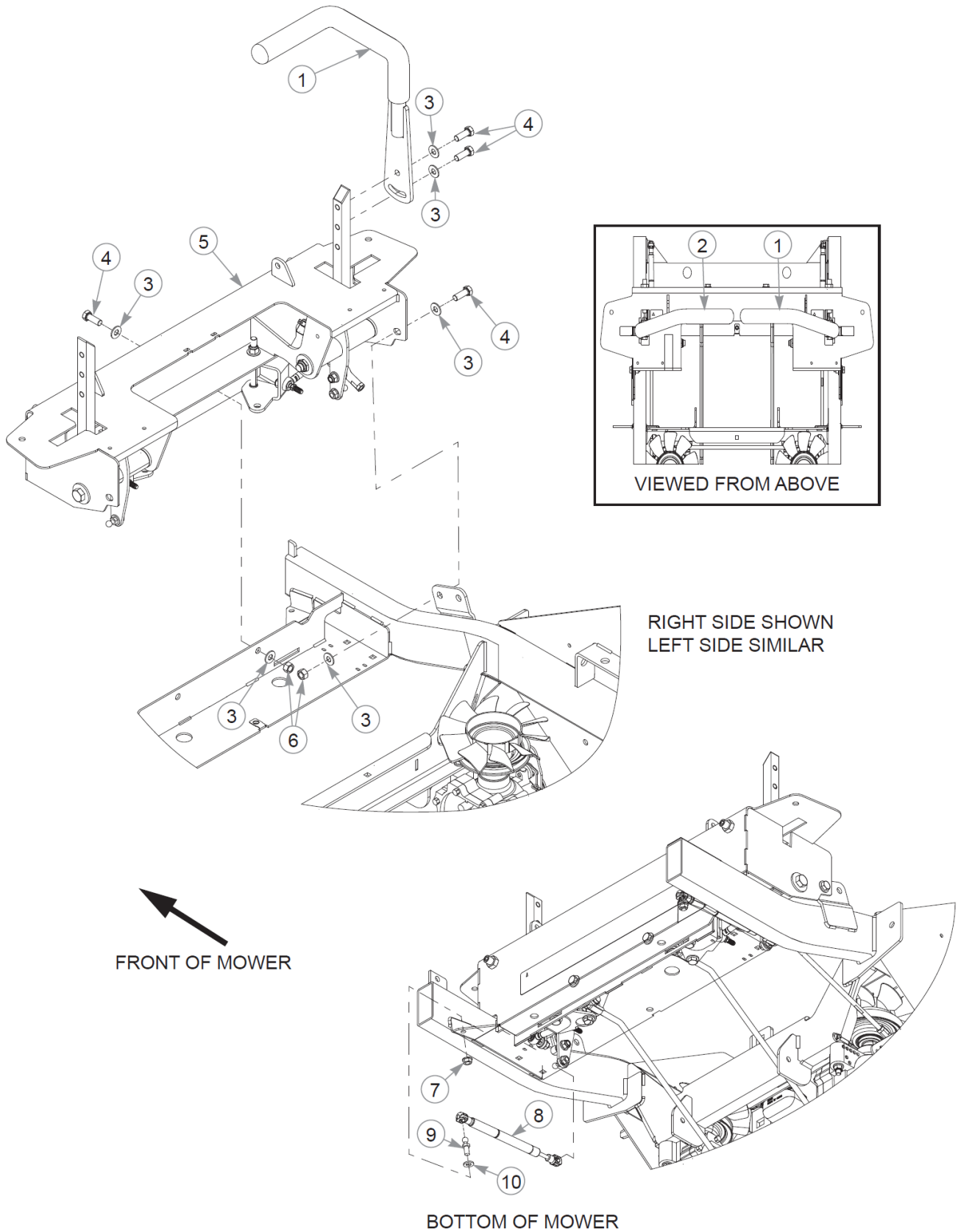
This page intentionally left blank



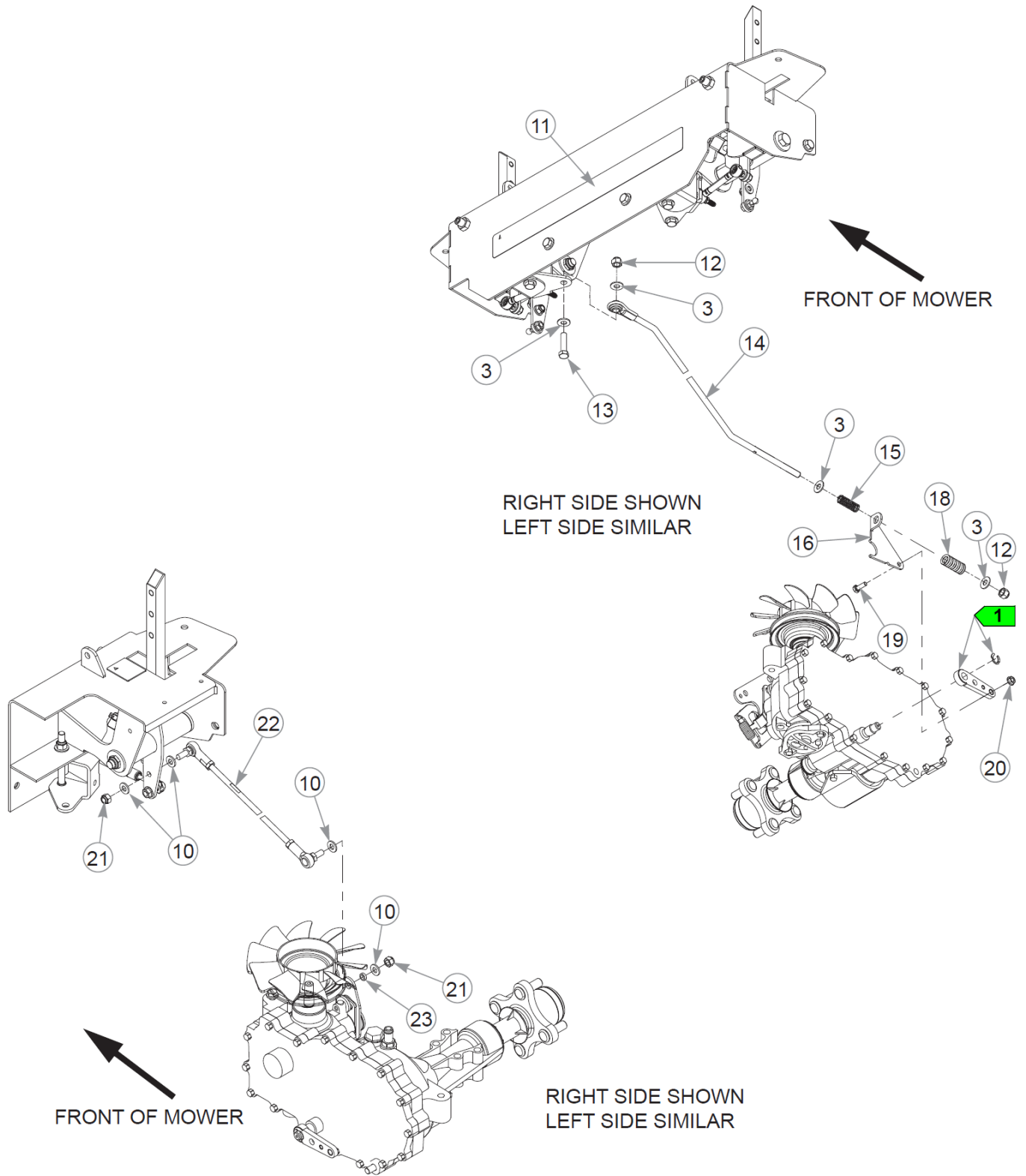
Item	Part No.	Qty	Name
	608512	1	TRANS, ZT3200 20.69
	608513	1	TRANS, ZT3200 20.69
1	607728	1	FAN - 7.0" (10 BLADE)
2	605608	1	FITTING, TRANSMISSION
3	605778	1	RETURN
	605779	1	RETURN
4	604903	1	HG RTN SPRING
5	603223	1	O-RING, ZT28/3100 CHARGE
6	603572	1	COVER, ZT3100 CHRGE PUMP
7	607111	1	CAP, AXLE LONG
Comments for Part Num. 607111			
CUSTOMER SERVICE NOTE: Lug Studs are not sold separately.			
8	788877	1	NUT, H-G ZT HUB
9	601433	1	KIT, HUB 4 BOLT
Comments for Part Num. 601433			
CUSTOMER SERVICE NOTE: Lug Studs are not sold separately.			
10	600976	1	HYDRAULIC OIL FILTER
11	600975	1	GUARD, TRANS FILTER
	600974	1	GUARD, TRANS FILTER
12	601221	1	ZT2800 BRAKE ARM - 2007
13	600972	1	CLIP, RETAINING
14	601941	1	FAN/PULLEY KIT
15	606830	1	OIL RETENSION KIT
16	607199	1	SEAL KIT

Comments for Page: SERVICE PARTS - 608512 & 608513 Transmissions

1. The LS and RS Returns include the springs.
2. The charge cover includes the bolts.
3. The hub kit includes the nut.
4. The LS and RS filter guards include the bolts.



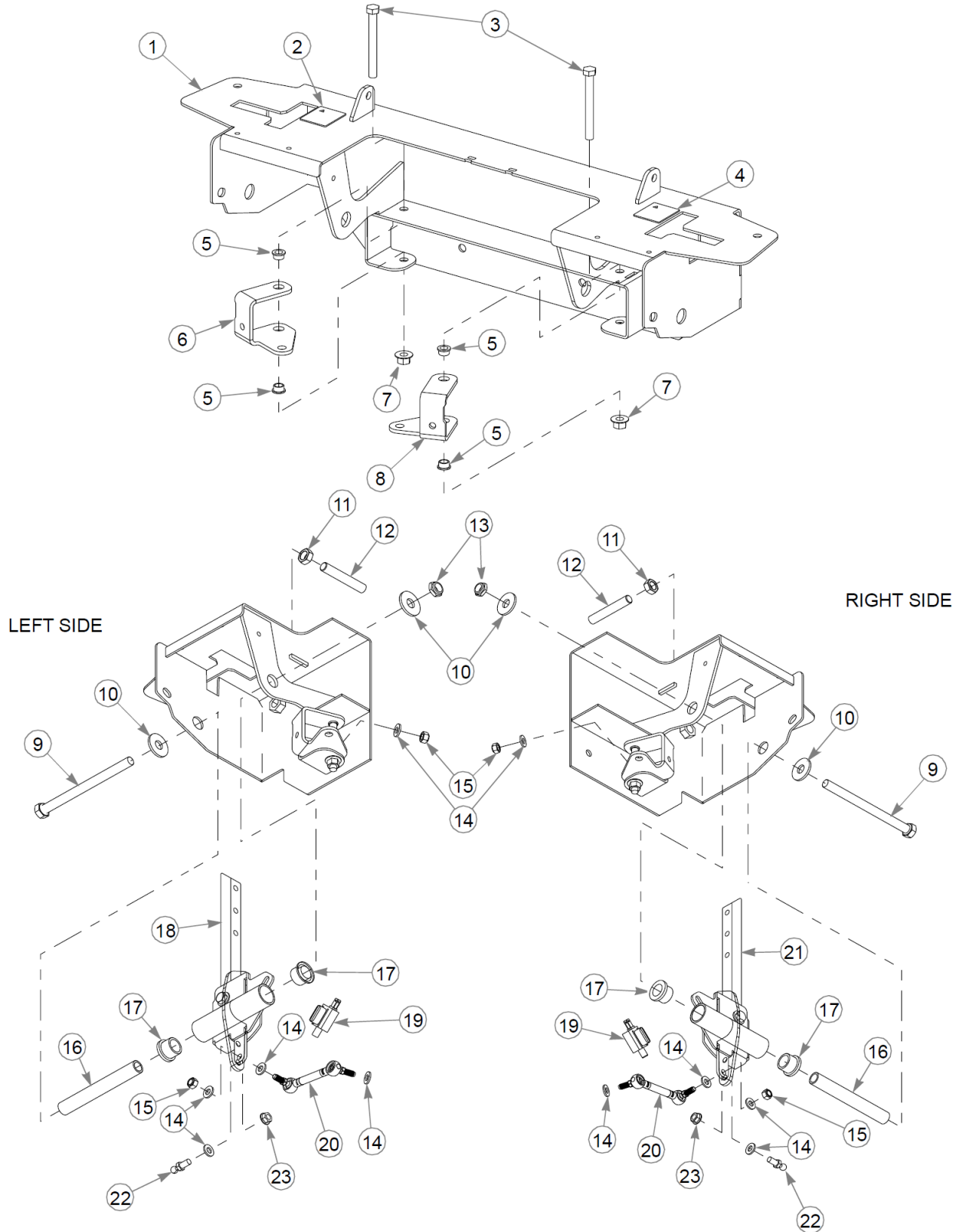
This page intentionally left blank



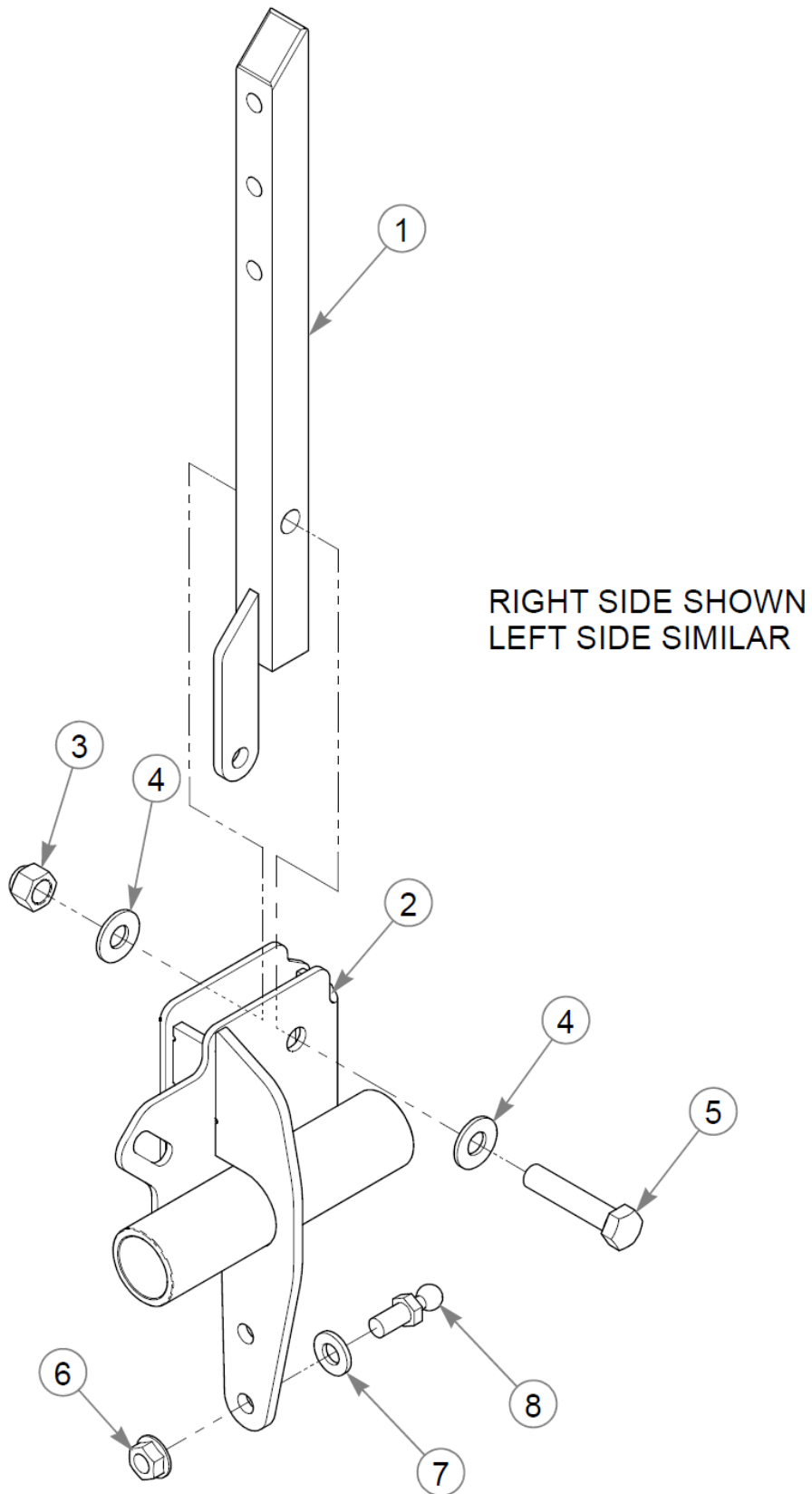
Item	Part No.	Qty	Name
1	605383	1	STEERING BAR W/A, RH
	781260	1	GRIP, STEERING BAR
2	605384	1	STEERING BAR W/A, LH
	781260	1	GRIP, STEERING BAR
3	767954	20	FW 0.379X.82X.06 HD ZN
4	036244	8	CS .375-16X1.00 HX G5 ZN
5		1	REFER TO "STEERING COVER ASSEMBLY"
6	054502	4	NT .375-16HXG5
7	016832	2	NT .312-18FLKG5
8	603983	2	DAMPER
9	781922	2	BALL STUD
10	768523	10	FW 0.343SAE
11	608096	1	DECAL, FASTRAK
12	086660	4	NT .375-16NLG8
13	080655	2	CS .375-16X1.500HXG5
14	605145	2	BRAKE ROD ASSEMBLY
15	601131	2	SPRING, BRAKE ARM RET.
16	120671	1	BRAKE SPRING LINK, RS
17	120672	1	BRAKE SPRING LINK, LS
18	601051	2	OVERTRAVEL SPRING
19	055939	2	CS .250-20X0.75 HX G5 ZN
20	016816	2	NT .250-20FLKG5
21	023655	4	NT 0.312-24 NL G8
22	600981	2	PUMP ROD ASSEMBLY
23	604456	2	SPACER, PUMP ARM

Comments for Page: Steering & Brake (Multi-Page)

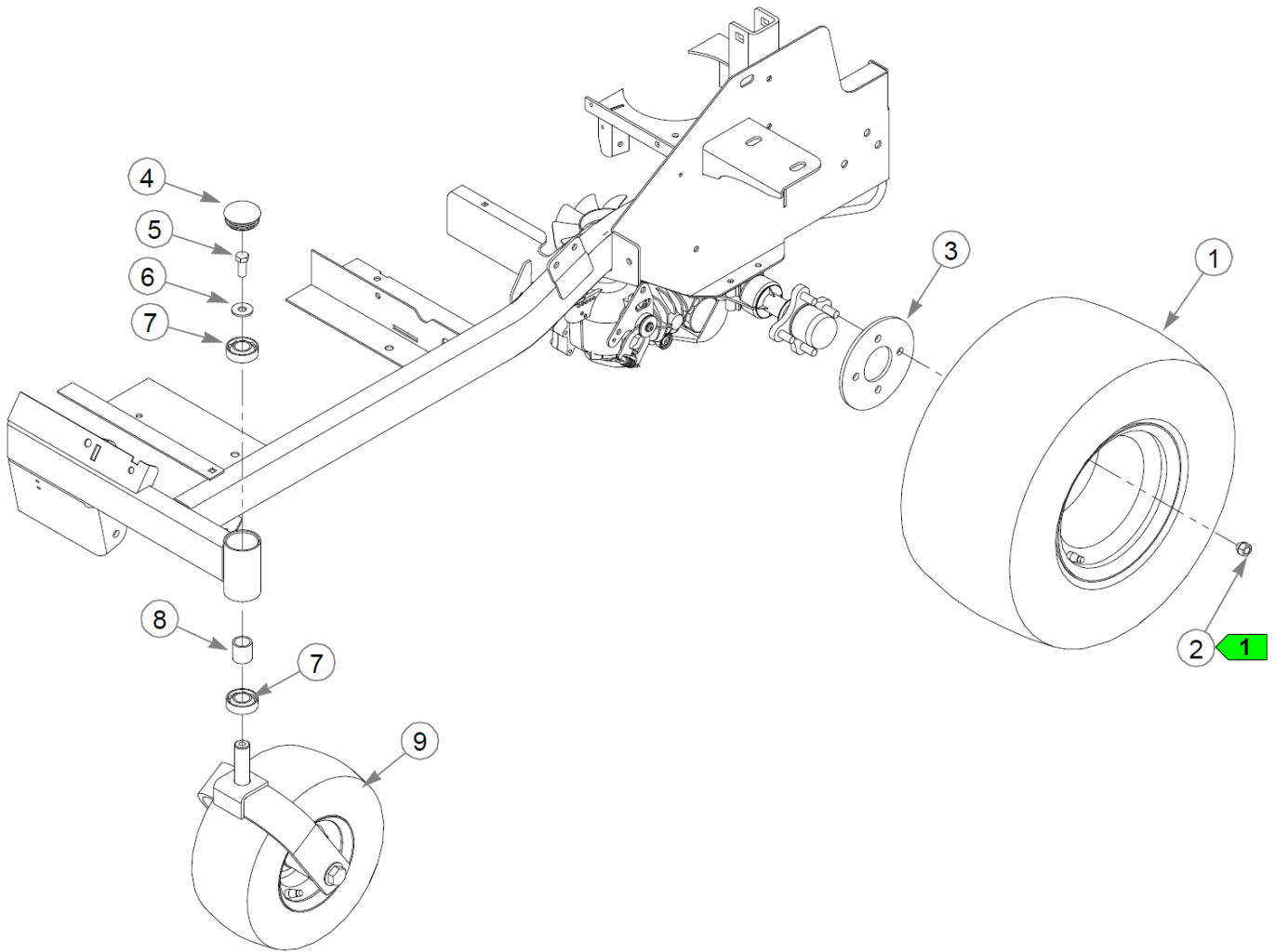
1. Part of the transmission.
2. The steering arms include the grips.
1. Part of the transmission.



Item	Part No.	Qty	Name
1	556155	1	SVC STEERING COVER
2	785139	1	DECAL, STEERING L.S.
3	005108	2	CS .375-16X3.500HXG5
4	785220	1	DECAL, STEERING R.S.
5	765339	4	BUSHING,IGUS#0608 (FS)
6	124352-1	1	BRAKE BELL CRANK, LS
7	604515	2	NT .375-16 FL NY GF
8	124353-1	1	BRAKE BELL CRANK, RS
9	042630	2	CS .500-13X6.500HXG5
10	712976	4	FW 0.531X1.38X.12 ZN
11	053199	2	NT .500-13JAMG5
12	608555	2	SS .500-13 X 3.0 SH ZN
13	707398	2	NT .500-13 JAM NY LK
14	768523	10	FW 0.343SAE
15	058776	4	NT .312-18NLG5
16	119811	2	SPACER, STEERING
17	608000	4	BUSHING
18	N/A	1	LS STEERING BOX SUB-ASSEMBLY
19	601087	2	SWITCH, PLUNGER N.O.
20	604179	2	BRAKE LINK
21	N/A	1	RS STEERING BOX SUB-ASSEMBLY
22	781922	2	BALL STUD
23	016832	2	NT .312-18FLKG5



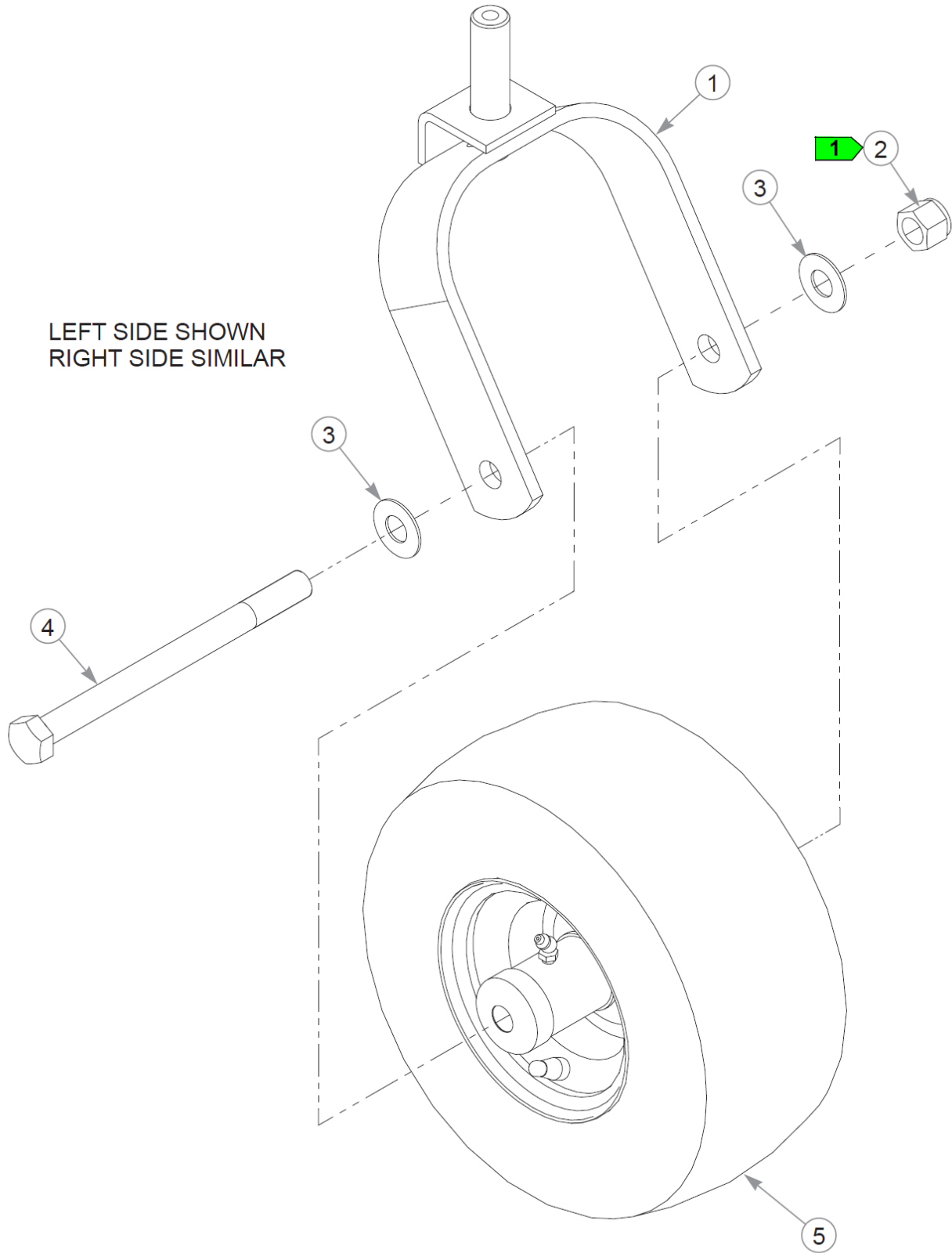
Item	Part No.	Qty	Name
1	119807	1	STEER LEVER W/A
2	607362	1	STEERING BOX S/A, RH
	607363	1	STEERING BOX S/A, LH
3	086660	1	NT .375-16NLG8
4	767954	2	FW 0.379X.82X.06 HD ZN
5	705178	1	CS .375-16X1.750HXG5
6	016832	1	NT .312-18FLKG5
7	768523	1	FW 0.343SAE
8	781922	1	BALL STUD



Item	Part No.	Qty	Name
1	609122	2	TIR/WHL 23X11.00-10 BLK
2	061077	8	WHEEL NUT
3	111875-1	2	BACKUP PLATE, WHEEL
4	607831	2	BEARING CAP
5	705954	2	CS .500-13X1.25 HX G5 ZN
6	712976	2	FW 0.531X1.38X.12 ZN
7	784223	4	BEARING
8	784603	2	SPACER
9		1	LS FRONT TIRE SUB-ASSEMBLY
10		1	RS FRONT TIRE SUB-ASSEMBLY (NOT SHOWN)

Comments for Page: Wheels & Tires

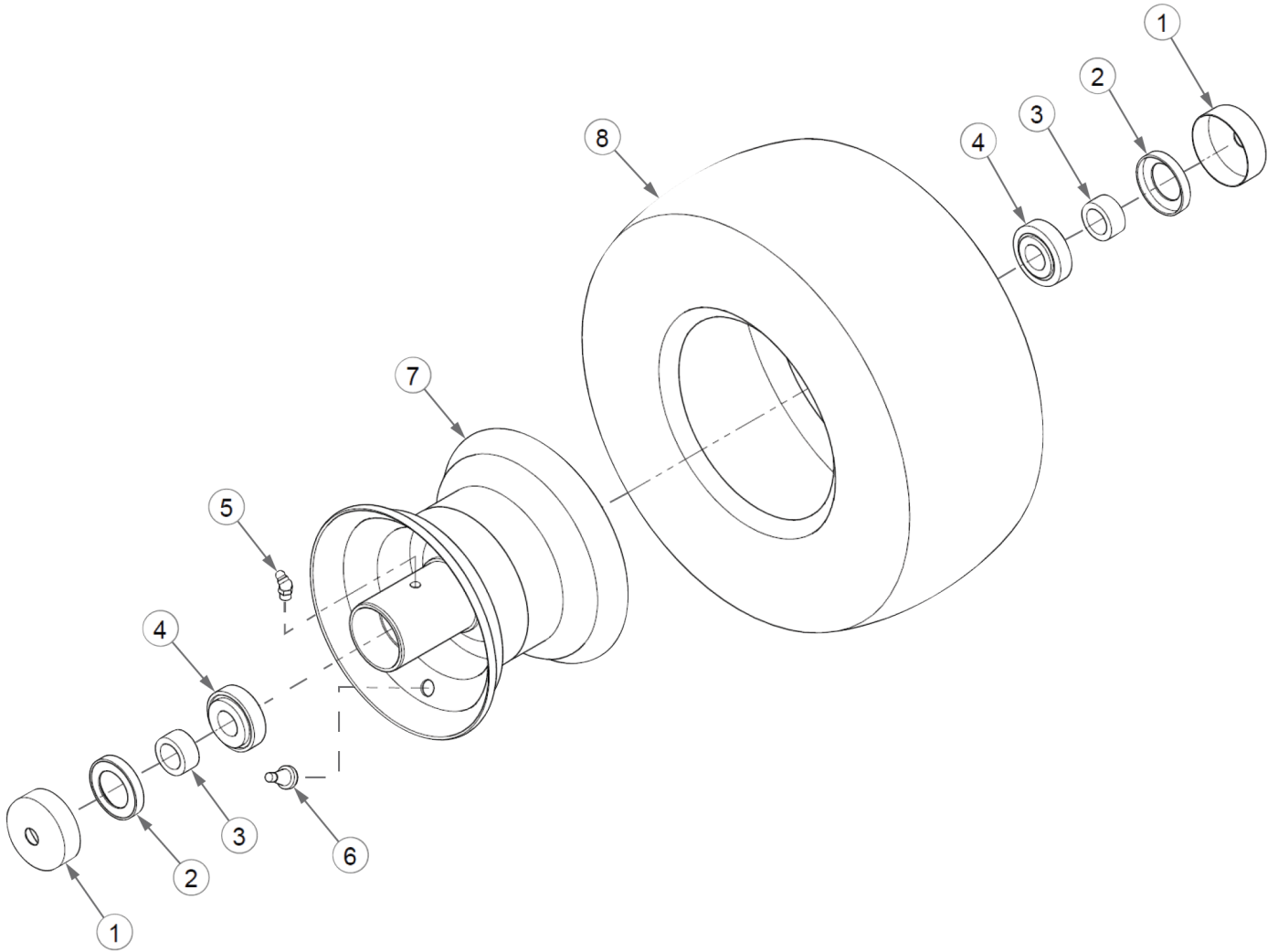
1. Torque to 88–101 N•m.



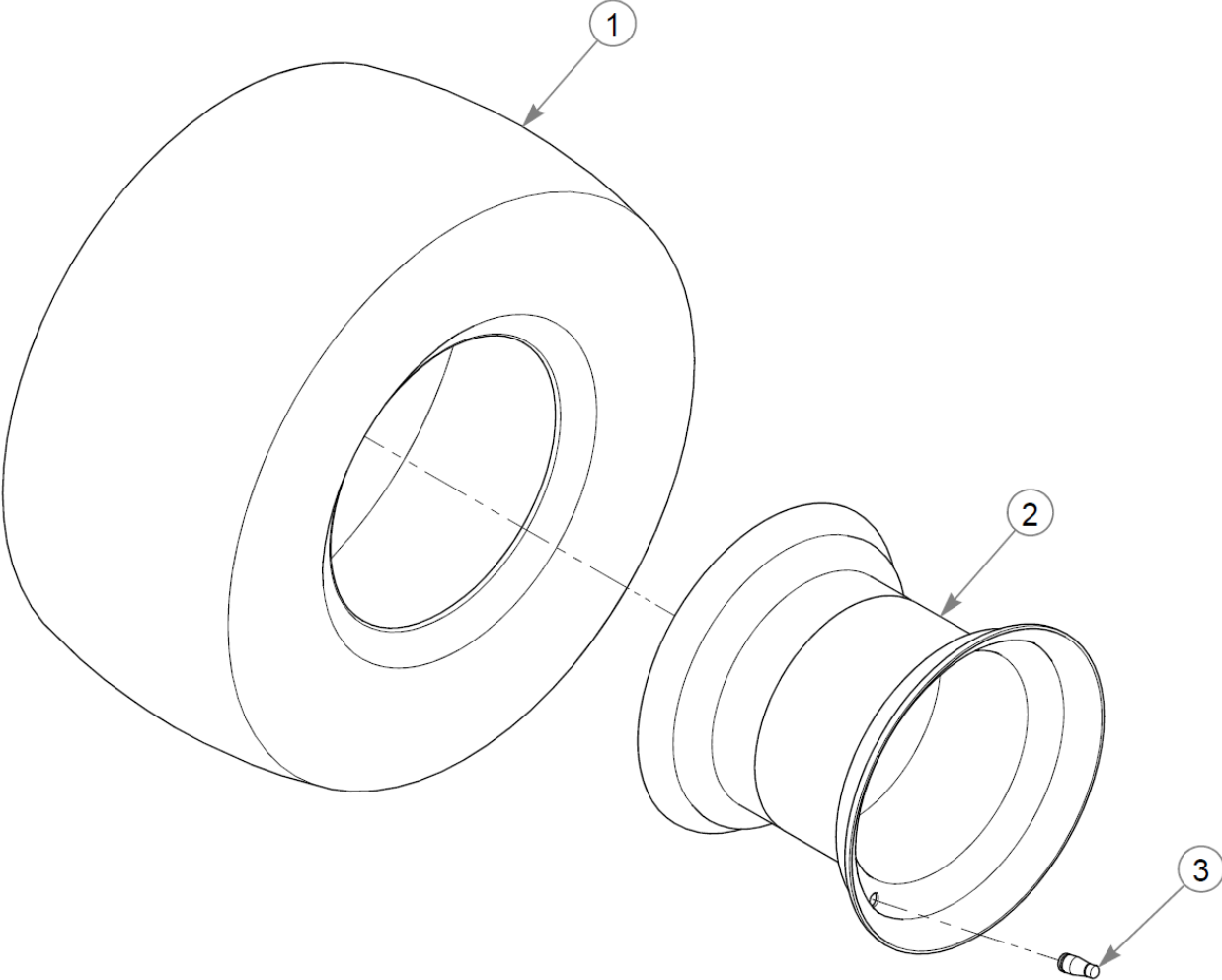
Item	Part No.	Qty	Name
1	604691	1	FORK W/A
2	061101	1	NT .750-10 HX ZN NL GR B
3	025296	2	FW .760X1.63X0.08 ZN
4	041475	1	CS .750-10X9.50 HX G5 ZN
5	606745	1	TIR/WHL 13X6.50-6 BLK

Comments for Page: Front Wheel Assembly

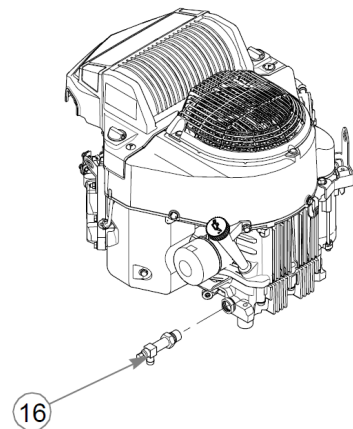
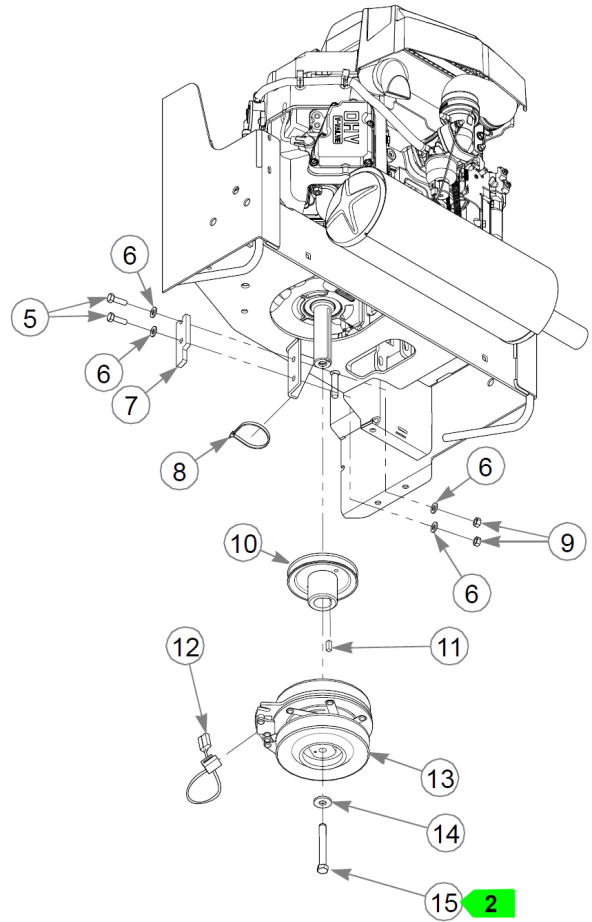
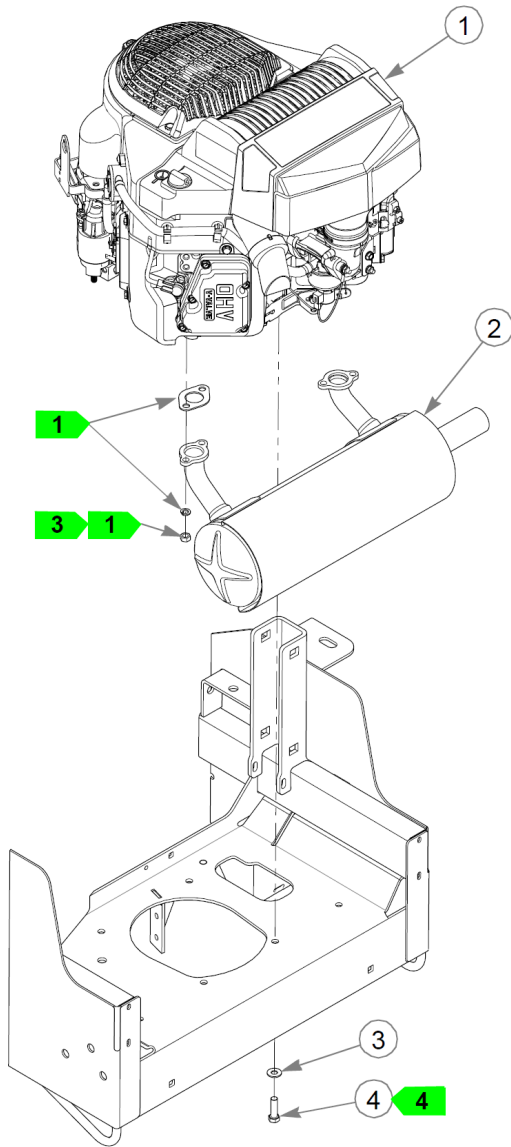
1. Tighten, then back off the nut until the wheel spins freely.



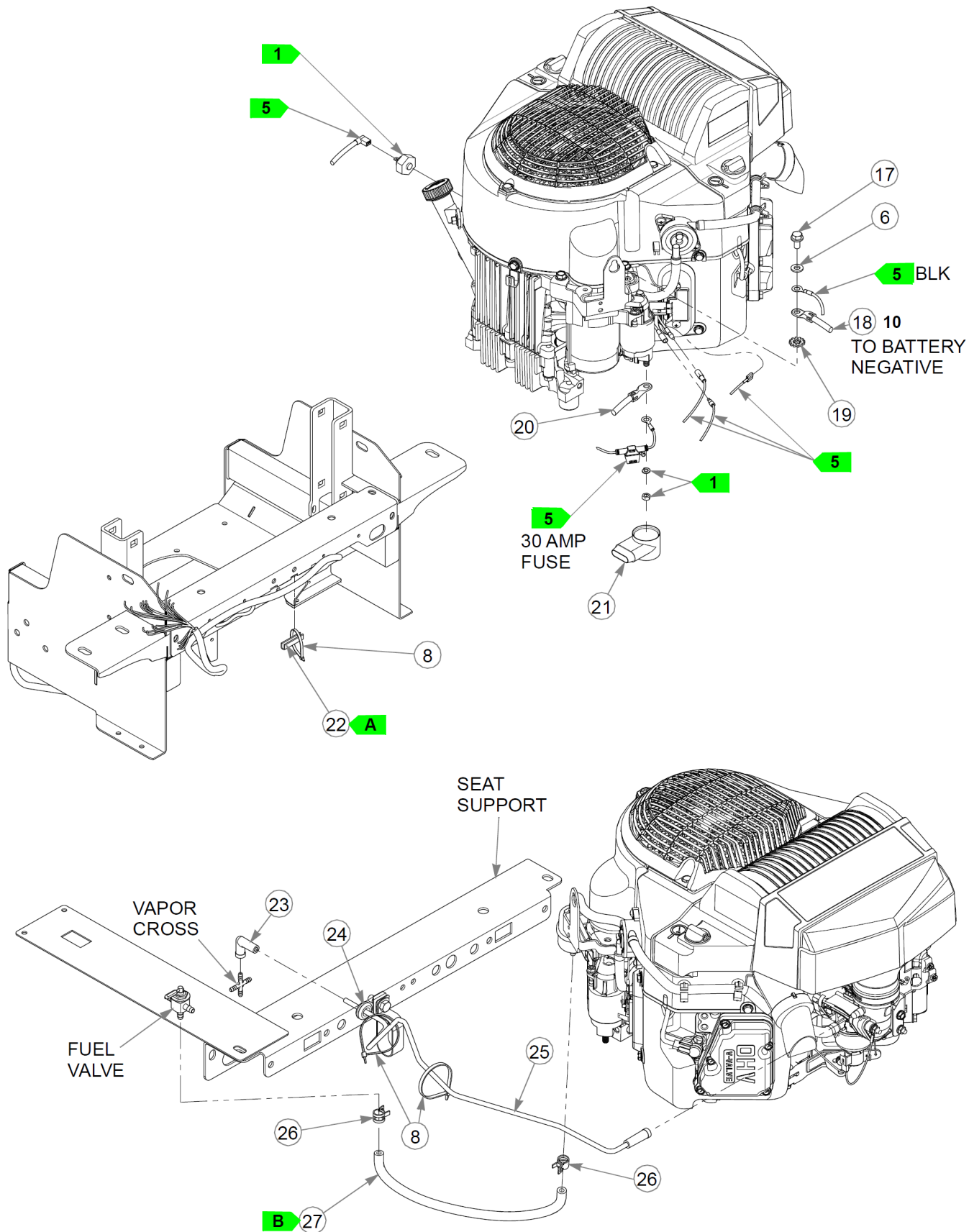
Item	Part No.	Qty	Name
	606745		TIR/WHL 13X6.50-6 BLK
1	606815	2	DUST CAP, 0.752 ID
2	606780	2	SEAL
3	606778	2	SPACER, 0.531
4	606753	2	BEARING, TAPERED ROLLER
5	606126	1	GREASE FITTING, M8X1.0
6	019521	1	TIRE VALVE TR-412 GOODY
7	606752	1	WHL 6X4.50 BLK
8	604843	1	TIR 13X6.50-6 B4R SMTH



Item	Part No.	Qty	Name
1	607802	1	S/C TO 609123
	609123	1	TIR 23X11.00-10 B4R LM
2	603737	1	WHL 10X8.50 4X4.0 BLK
3	019521	1	TIRE VALVE TR-412 GOODY



This page intentionally left blank



Item	Part No.	Qty	Name
1		1	ENGINE
2	608006	1	MUFFLER, 726CC KAW
3	767954	4	FW 0.379X.82X.06 HD ZN
4	602580	4	CS .375-16X1.25HXG8FTZN
5	036236	2	CS .312-18X1.000HXG5
6	768523	5	FW 0.343SAE
7	113946	1	CLUTCH ANCHOR
8	000331	4	WIRE TIE, SMALL/SHORT
9	034272	2	NT .312-18HXG5
10	608524	1	PULLEY, ENG 4.831 OP
11	712372	1	KEY 1/4 SQ X 0.66 LG(FS)
12	791251	1	HARNES, CLUTCH PIGTAIL
<p>Comments for Part Num. 791251</p> <p>Pigtail was updated with epoxy to hold the wires steady. The wire sheath was also updated to a more flexible material.</p>			
13	601785K	1	CLUTCH KIT
14	602680	1	FW .453X1.12X.12 HRD ZN
15	601834	1	CS .437-20X3.25 HXG5ZN
16		0.43	10W30 OIL (GALLONS)
17	796524	1	VALVE,OIL M20x2.5
18	720516	1	CS M8-1.25X16HX FL10.9
19	744284	1	BATTERY CABLE NEGATIVE
20	029876	1	LW .312 INTEXT ZN
21	786632	1	BATTERY CABLE, POS RED
22	609182	1	BOOT, RED
23	033001P	1	FLEX TRIM UNI-GRIP - 3 FT
24	605565	1	BOOT, 3/16 TO 3/16
25	080358	1	GM .50X1.00X.75X.12
26	605493	1	VAPOR LINE, 3/16 FORMED
27	000323	2	CLIP, HOSE CLAMP
28	015818P	1	FUEL LINE, 1/4" - 6 FT

Comments for Page: Engine, Muffler & Clutch (Multi-Page)

1. Supplied with the engine.
2. Torque to 61–65 N•m.
3. Torque to 23 N•m.

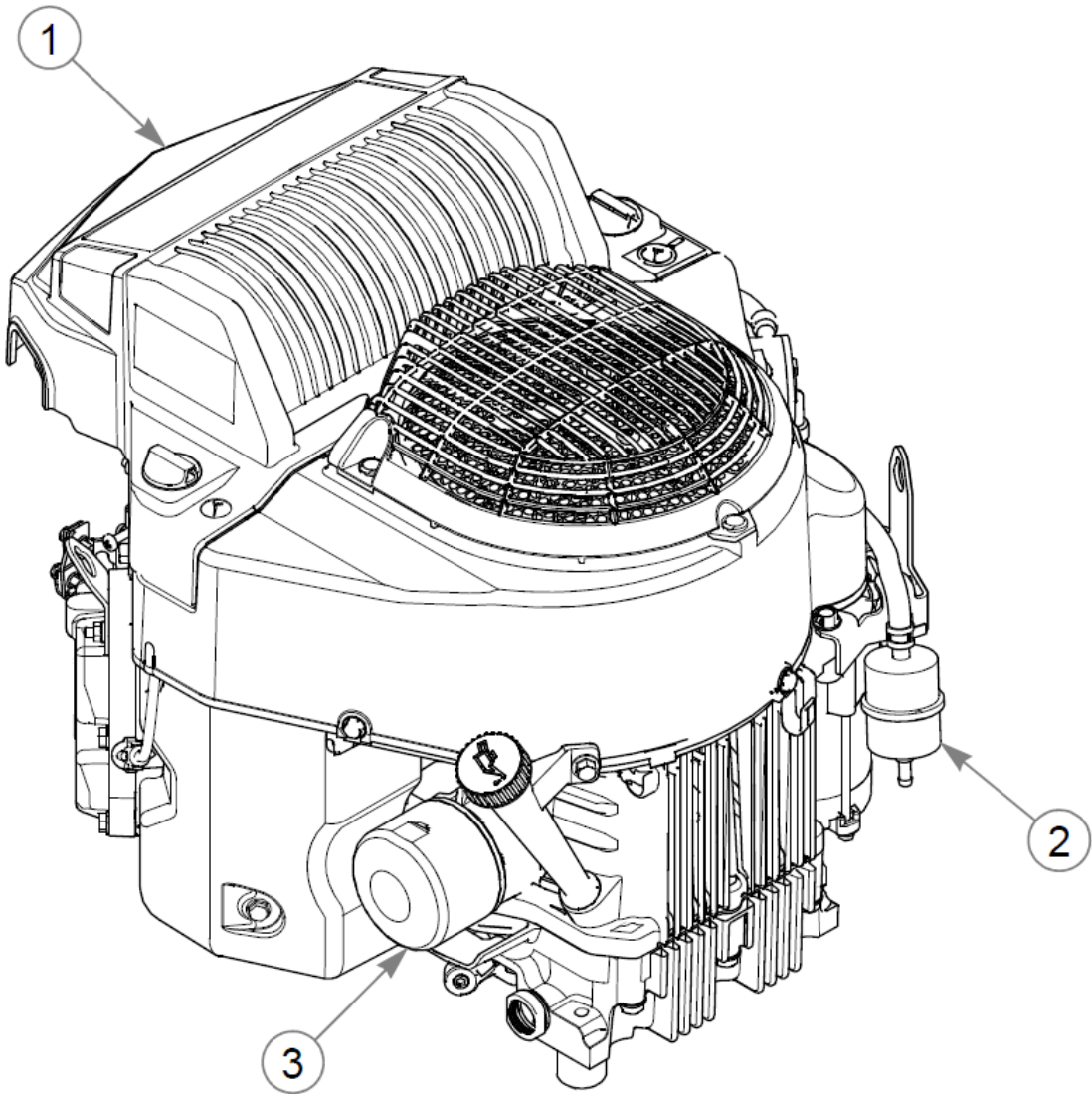
4. Torque to 41–47 N•m.
5. Part of the wire harness.

TRIM & FUEL LINE LENGTHS

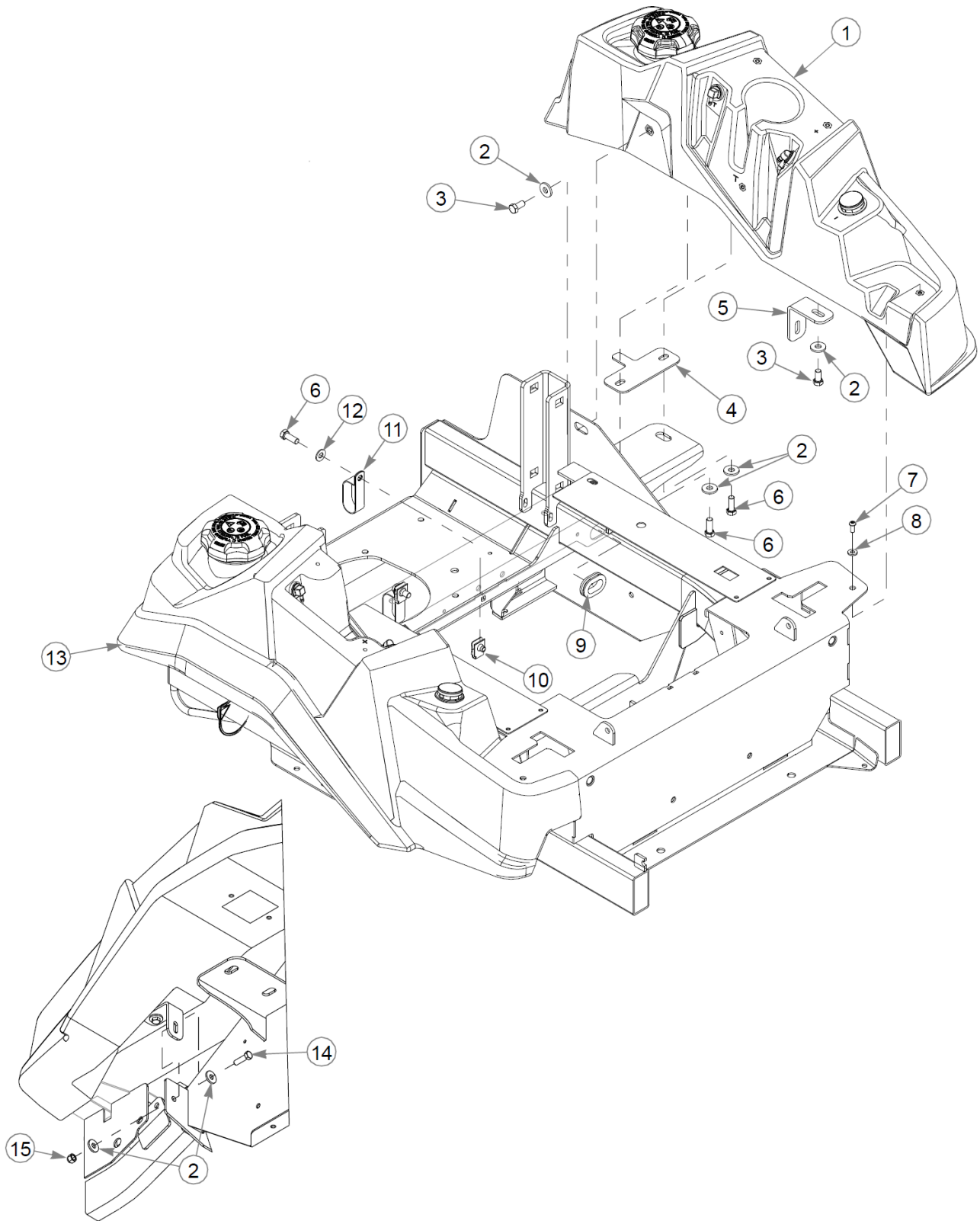
A: 5 cm (FLEXIBLE TRIM)

B: 36 cm (FUEL LINE)

This page intentionally left blank

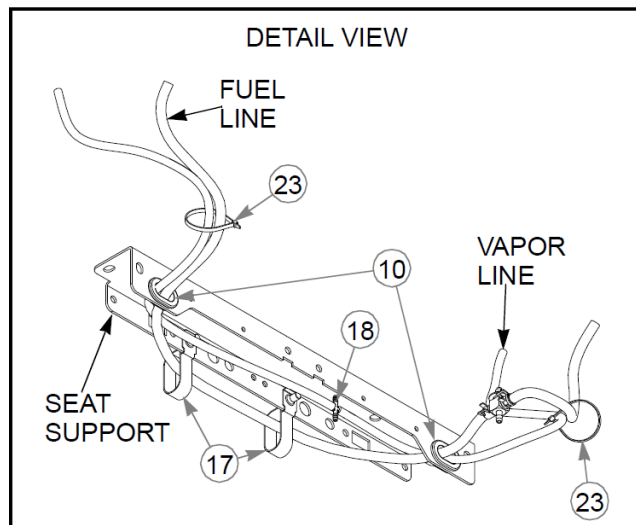
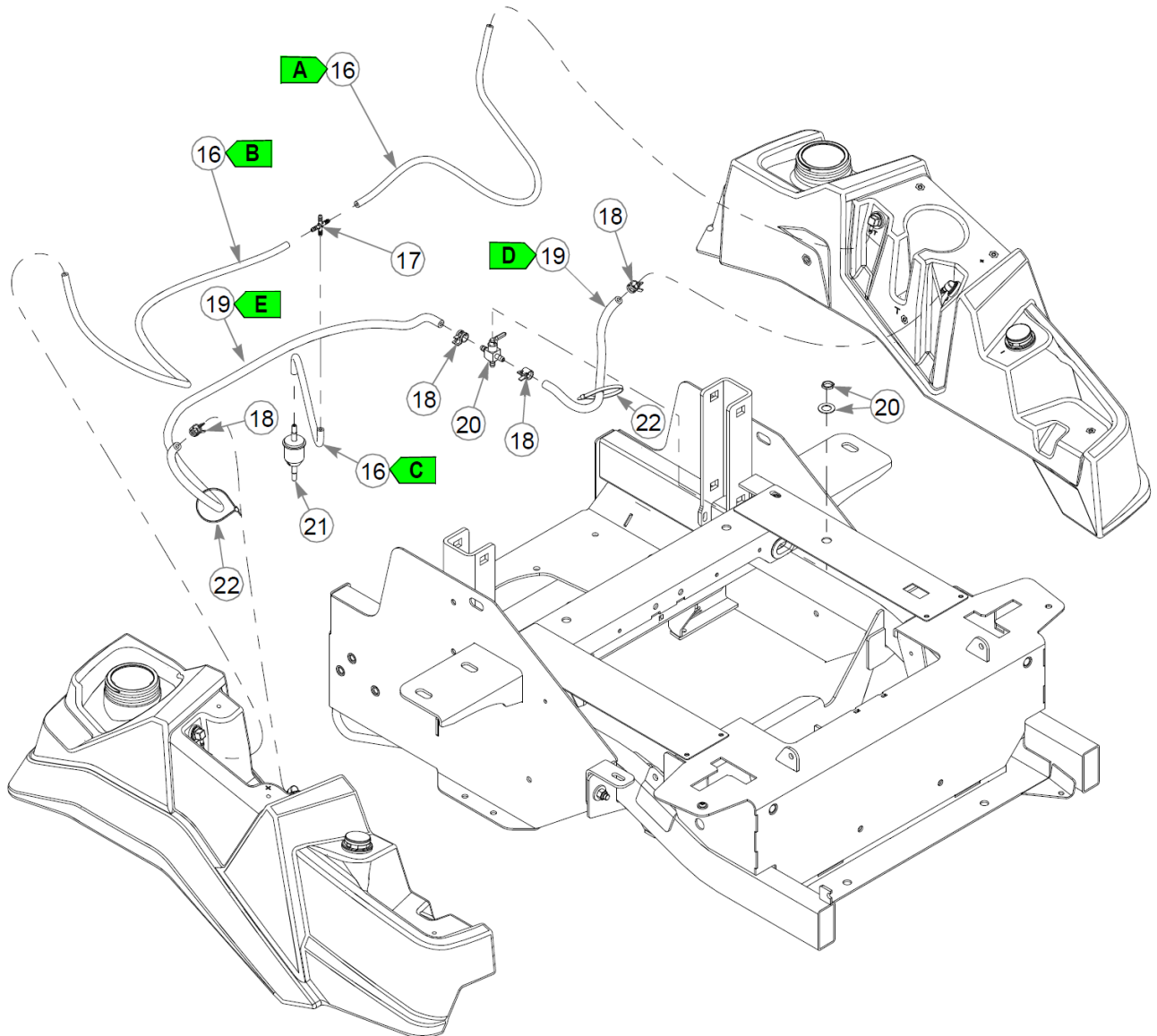


Item	Part No.	Qty	Name
1	607968	1	AIR FILTER, KAW FT
2	604558	1	FILTER, KAWASAKI FUEL
3	602581	1	ENGINE OIL FILTER



UNDERSIDE OF GAS TANK

This page intentionally left blank

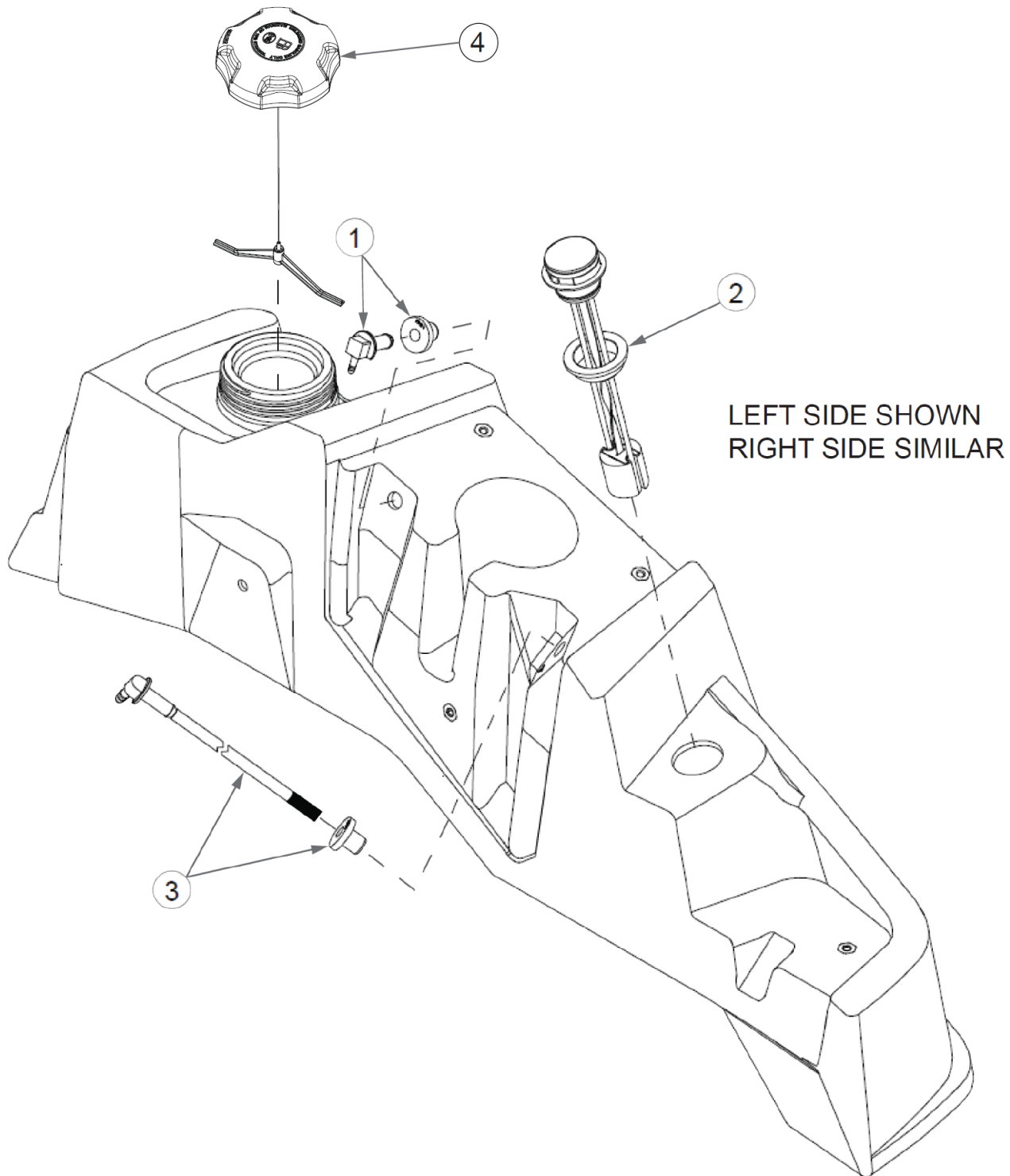


Item	Part No.	Qty	Name
1	608411	1	FUEL TANK ASSY, LEFT
2	712919	12	FW 0.406X1.00X.12 HD ZN
3	055822	4	CS .375-16X0.75 HX G5 ZN
4	127925-1	2	YELLOW, SPACER
5	127924-1	2	YELLOW, BRACKET
6	036244	6	CS .375-16X1.00 HX G5 ZN
7	608598	2	CS .250-20 X .625 BH TX
8	605628	2	FW 0.281X.63X.07 ZB
9	706531	2	GM 1.12X1.75X1.37X.12
10	601758	2	CN .375-16x.200 MAX THK
11	045088	2	HOSE CLAMP 1" (FS)
12	767954	2	FW 0.379X.82X.06 HD ZN
13	608412	1	FUEL TANK ASSY, RIGHT
14	052860	2	CS .375-16X1.25 HX G5 ZN
15	086660	2	NT .375-16NLG8
16	603326P	1	VAPOR LINE, 3/16" - 7 FT
17	605425	1	CROSS, 3/16" PLASTIC
18	000323	4	CLIP, HOSE CLAMP
19	015818P	1	FUEL LINE, 1/4" - 6 FT
20	745059	1	FUEL VALVE 3-WAY
21	604323	1	VAPOR SYSTEM FILTER
22	000331	2	WIRE TIE, SMALL/SHORT

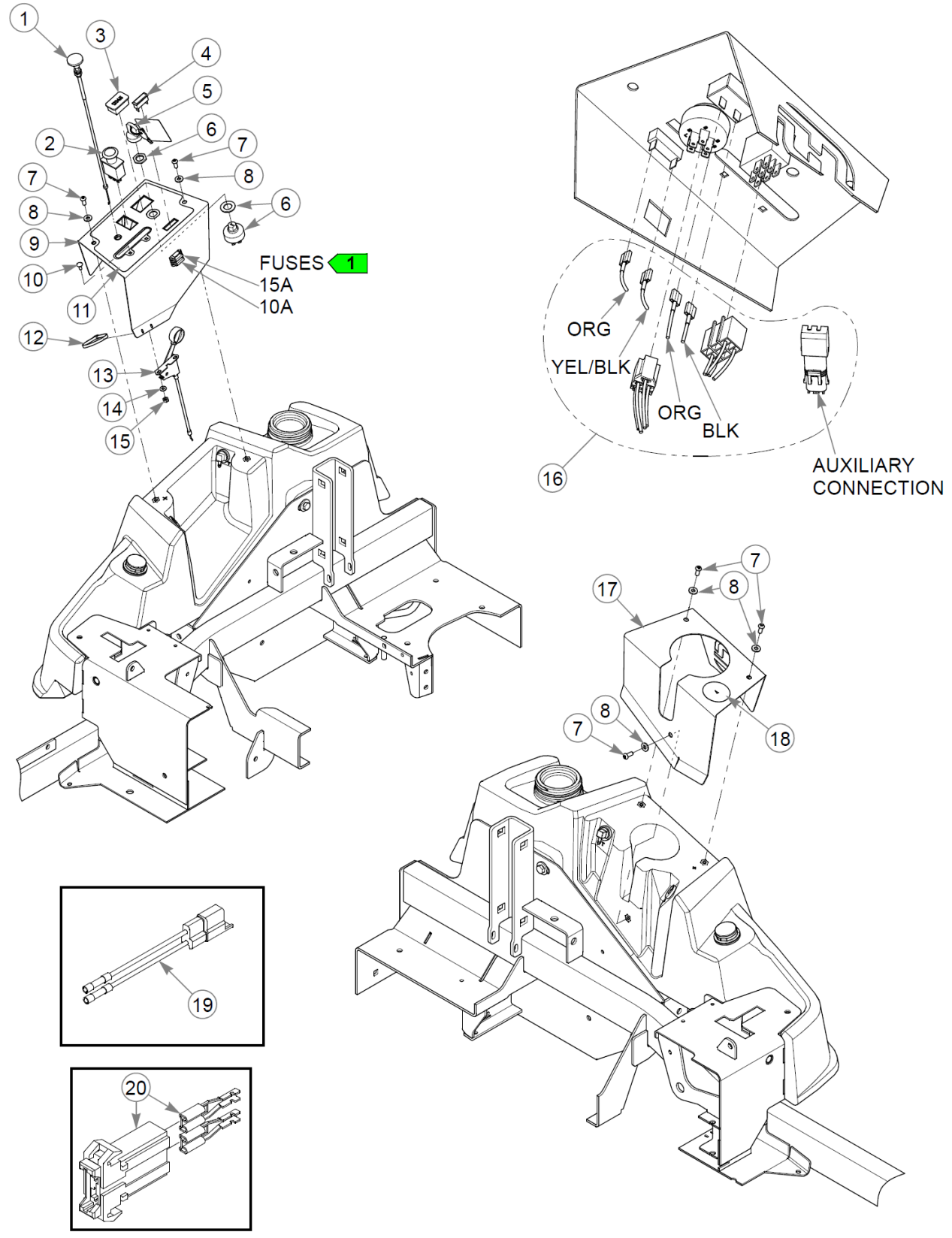
Comments for Page: Fuel System (Multi-Page)

FUEL & VAPOR LINE LENGTHS

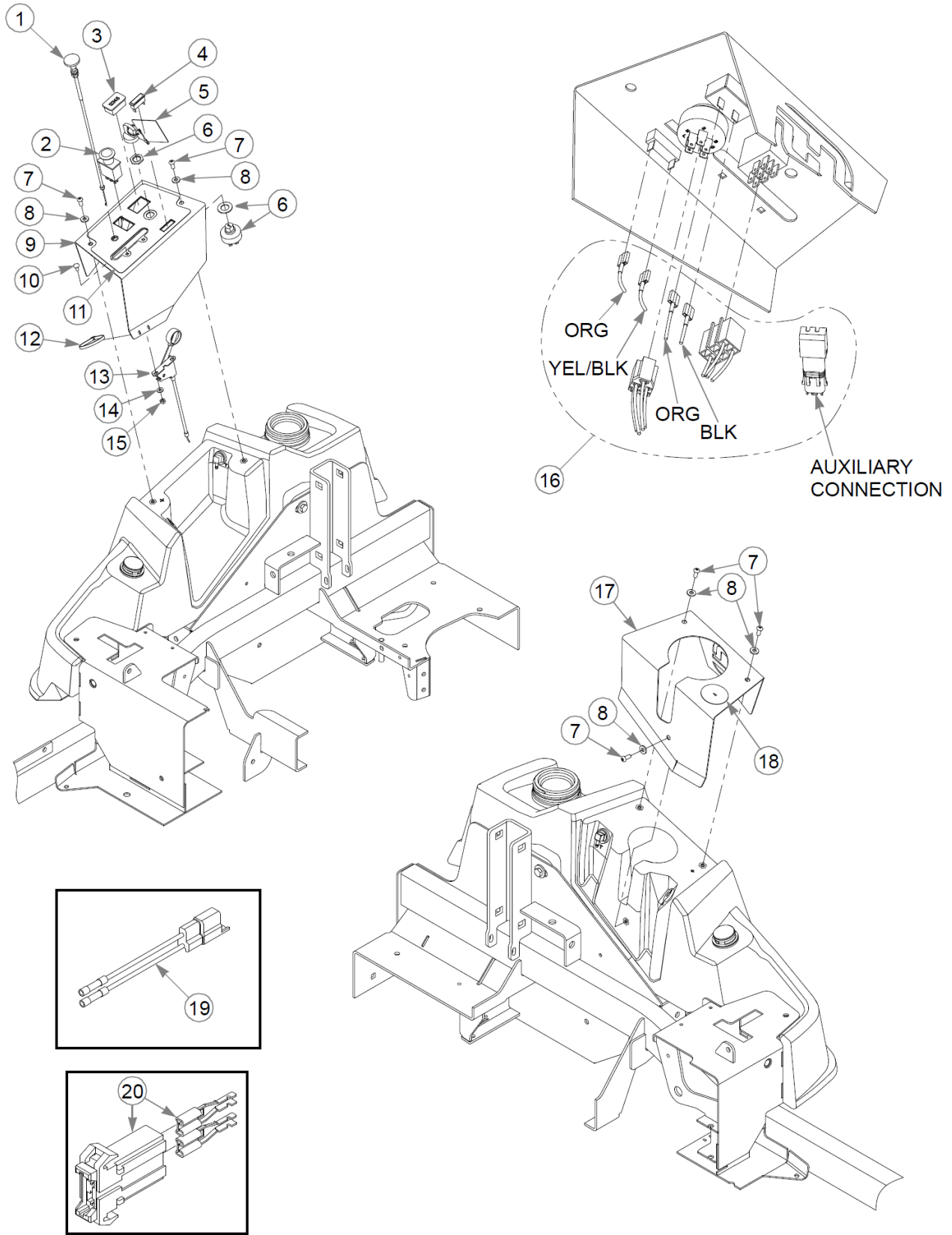
- A: 69 cm LEFT TANK TO CROSS (VAPOR)
- B: 86 cm RIGHT TANK TO CROSS (VAPOR)
- C: 30 cm CROSS TO FILTER (VAPOR)
- D: 32 cm LEFT TANK TO VALVE (FUEL)
- E: 105 cm RIGHT TANK TO VALVE (FUEL)



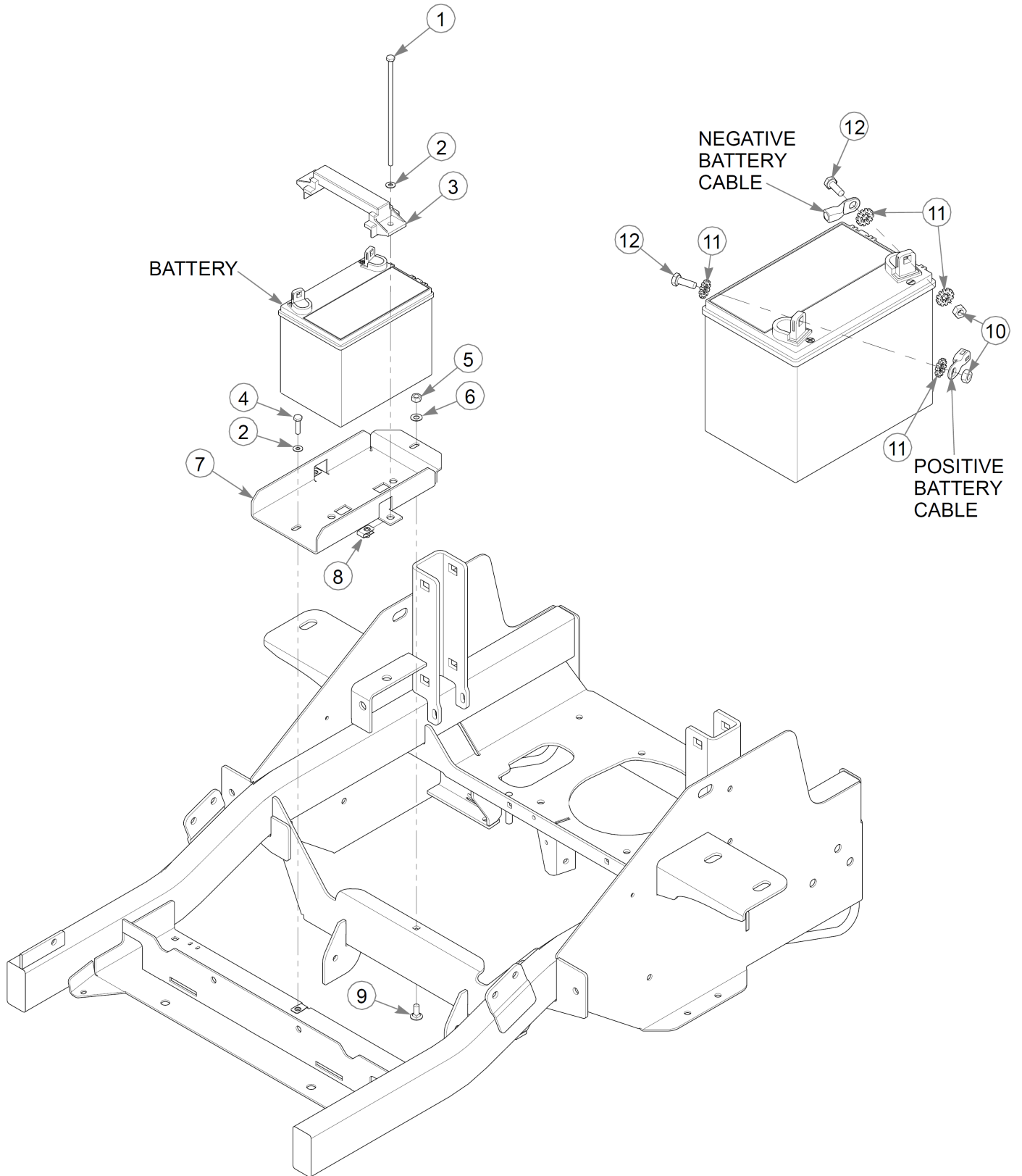
Item	Part No.	Qty	Name
	608411	1	FUEL TANK ASSY, LEFT
	608412	1	FUEL TANK ASSY, RIGHT
1	604287K	1	VENT FITTING SVC KIT
2	608497K	1	SVC KIT, FUEL GAUGE
3	608506K	1	SVC, KIT, SUCTION HOSE
4	608995	1	CAP - RATCHET 350



Item	Part No.	Qty	Name
1	786657	1	CABLE, CHOKE
2	776476	1	SWITCH, PTO 6201-321
3	769166	1	HOUR METER
4	712257	1	INDICATOR LIGHT, RED(FS)
5	785808	1	KEY ASSEMBLY
6	045898	1	IGNITION SWITCH
7	608598	5	CS .250-20 X .625 BH TX
8	605628	5	FW 0.281X.63X.07 ZB
9	556156	1	SVC INST. PANEL
10	601098	2	CB 10-24 X .500 ZYNC
11	608553	1	DECAL, INSTR. PANEL
12	000331	1	WIRE TIE, SMALL/SHORT
13	778365	1	CABLE, THROTTLE
14	704932	2	FW 0.219X.50X.05 ZN
15	059832	2	NT #10-24 HX NL ZN
16	608472	1	WIRE HARNESS
17	127795-1	1	COVER, FUEL FILLER
18	608127	1	DECAL, USA, F&D
19	114052	1	KIT, CLUTCH CONN. REP.
20	601047	1	HOLDER, FUSE
21	601053	3	RELAY, SEALED W/BRACKET



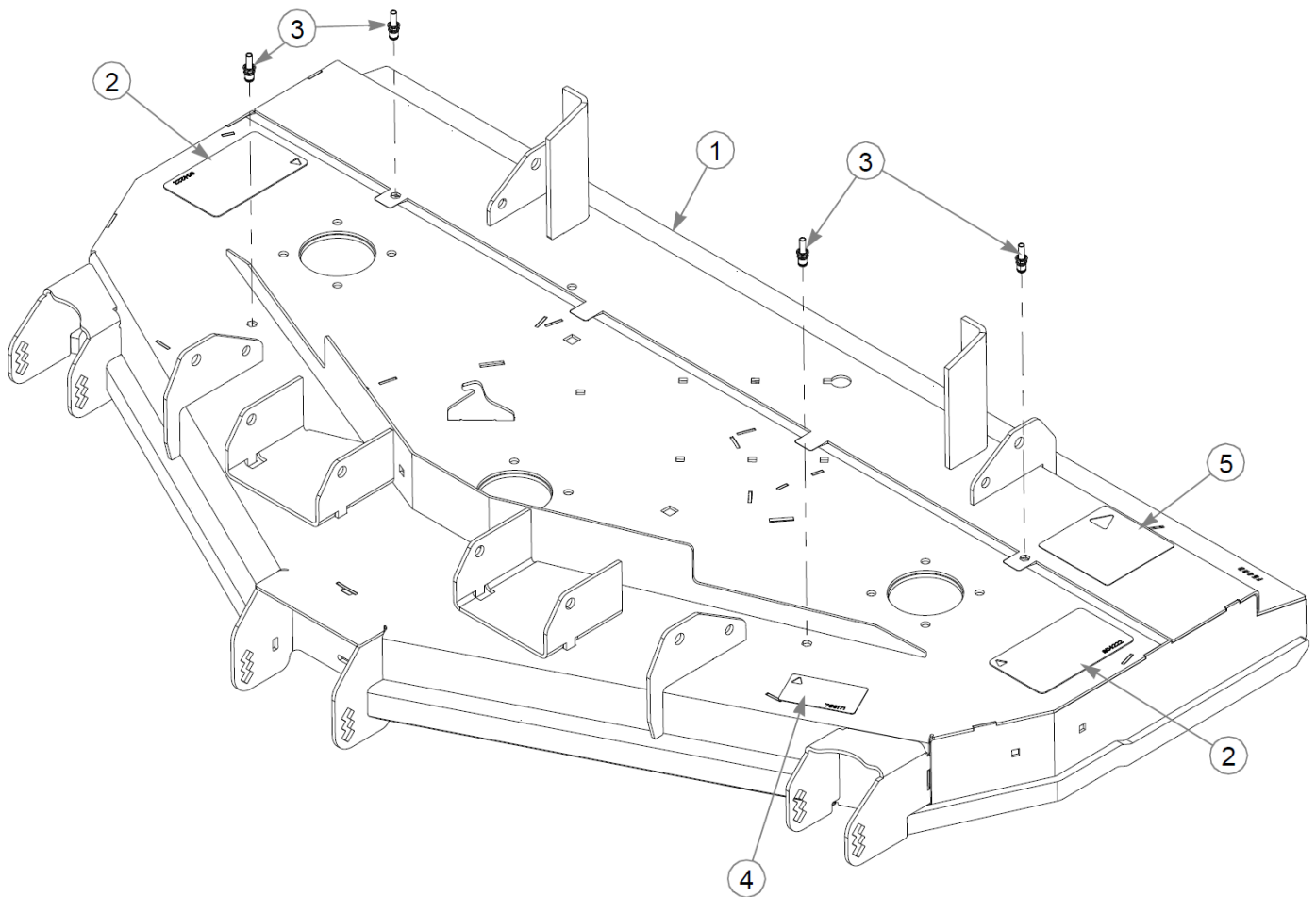
Item	Part No.	Qty	Name
1	786657	1	CABLE, CHOKE
2	776476	1	SWITCH, PTO 6201-321
3	769166	1	HOUR METER
4	712257	1	INDICATOR LIGHT, RED(FS)
5	785808	1	KEY ASSEMBLY
6	045898	1	IGNITION SWITCH
7	608598	5	CS .250-20 X .625 BH TX
8	605628	5	FW 0.281X.63X.07 ZB
9	556156	1	SVC INST. PANEL
10	601098	2	CB 10-24 X .500 ZYNC
11	608553	1	DECAL, INSTR. PANEL
12	000331	1	WIRE TIE, SMALL/SHORT
13	778365	1	CABLE, THROTTLE
14	704932	2	FW 0.219X.50X.05 ZN
15	059832	2	NT #10-24 HX NL ZN
16	609225	1	WIRE HARNESS, FST
17	127795-1	1	COVER, FUEL FILLER
18	608127	1	DECAL, USA, F&D
19	114052	1	KIT, CLUTCH CONN. REP.
20	601047	1	HOLDER, FUSE
21	601053	3	RELAY, SEALED W/BRACKET



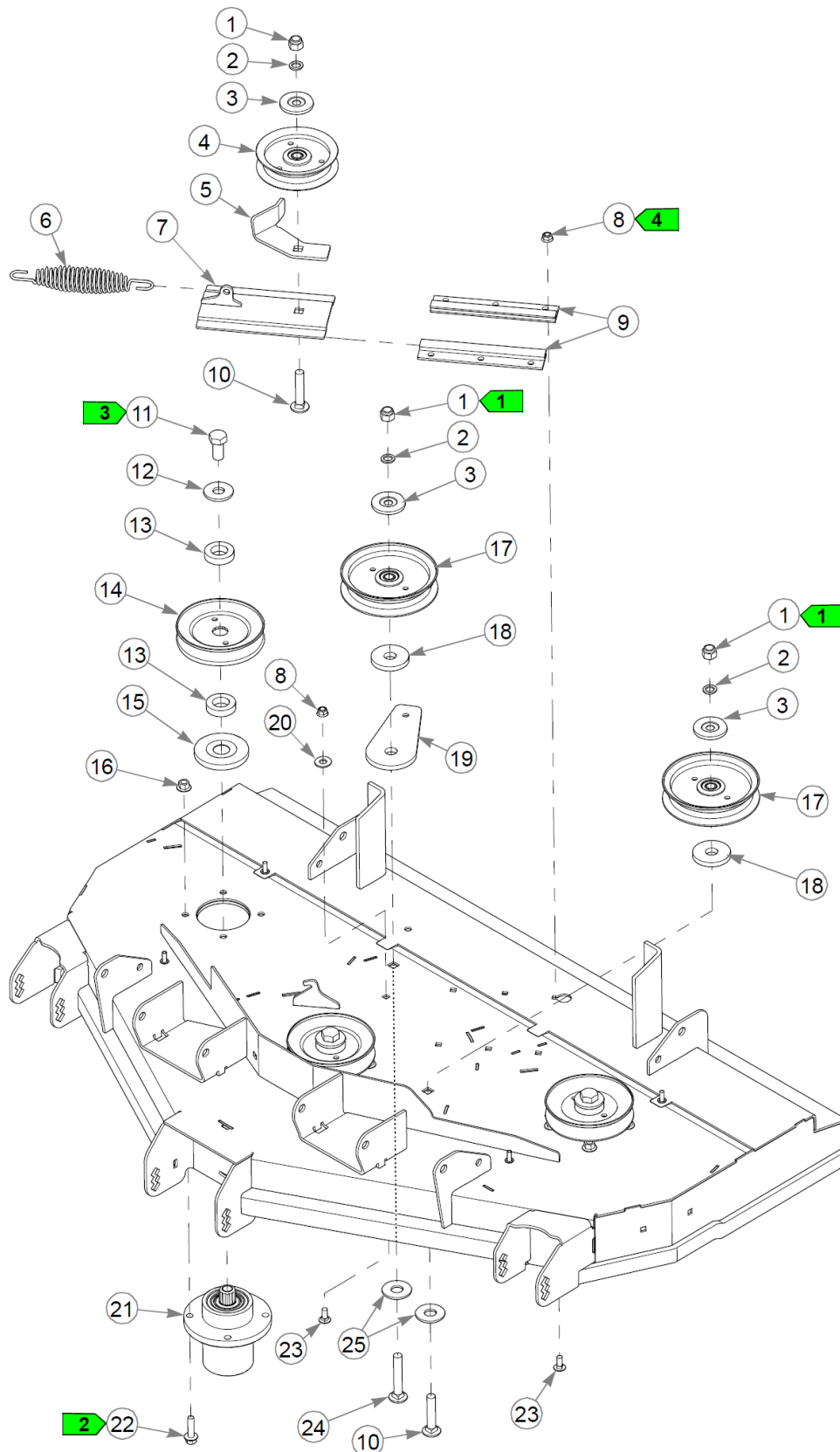
Item	Part No.	Qty	Name
1	604465	2	CS .250-20X7.50 HX G5 ZN
2	017079	3	FW .250SAE
3	604178	1	STRAP, TIE DOWN
4	056077	1	CS .250-20X1.000HXG5
5	034272	1	NT .312-18HXG5
6	604252	1	FW .340X.68X.04 ZN
7	127794-1	1	BATTERY TRAY
8	601982	2	CN .250-20X .150 MAX THK
9	016253	1	CB .312-18X .750 FUL ZN
10	024927	2	NT .250-20HXG5
11	029868	4	LW .250 INTEXT ZN
12	055939	2	CS .250-20X0.75 HX G5 ZN
		1	BATTERY GT-H

Comments for Page: Battery

1. When performing service on the mower, disconnect the negative battery cable (black) and do not reconnect it to the battery until ready to start the engine.



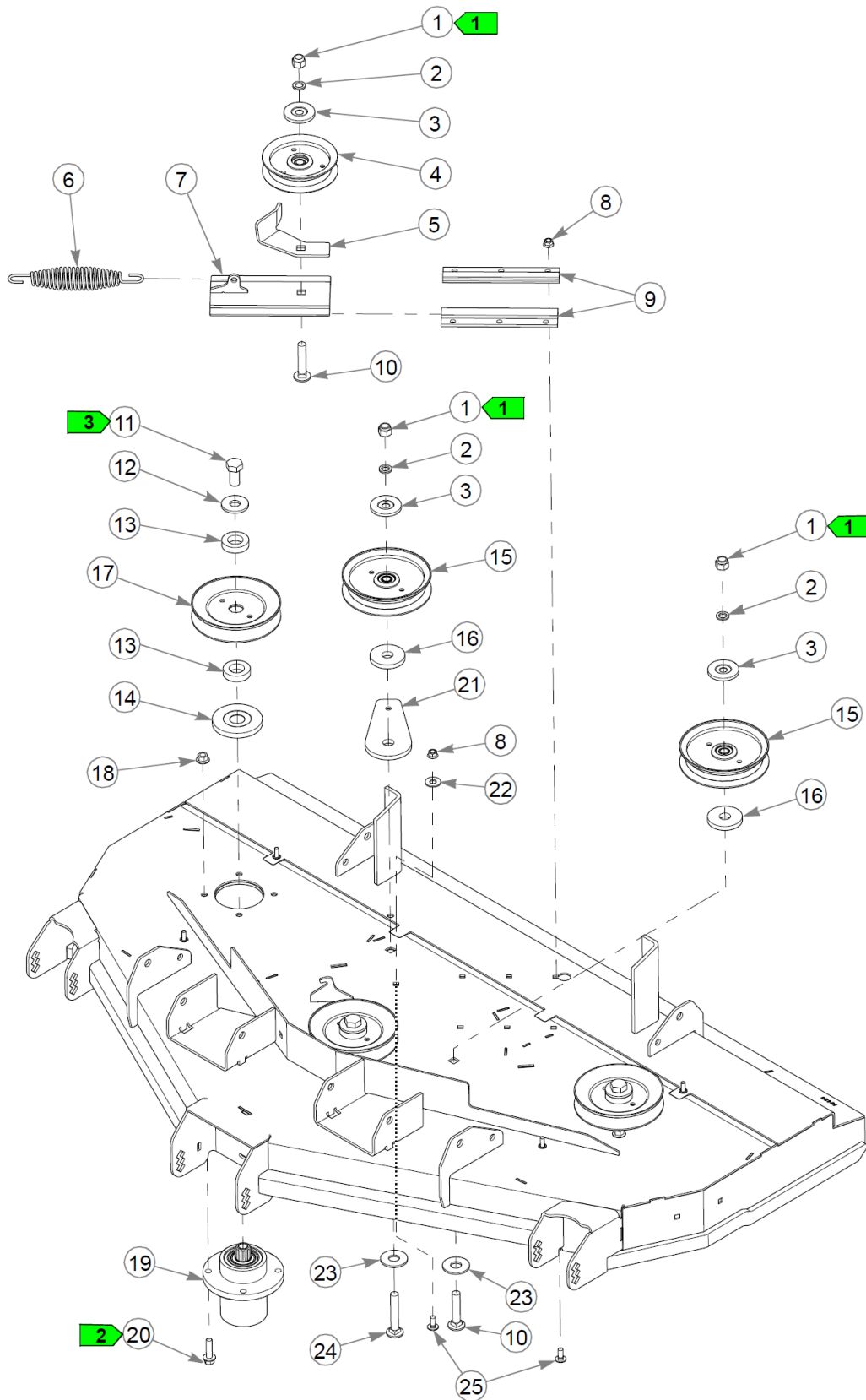
Item	Part No.	Qty	Name
1	556088	1	54" DECK RD
2	604222	2	DECAL, DANGER / OBJECTS
3	607185	4	0.25-20 X 0.625
4	799171	1	DECAL, 54" DECK ID
5	781419	1	DECAL, BELT ROUTING



Item	Part No.	Qty	Name
1	781567	3	NT .500-13NLG5
2	604486	3	FW .531X.812X.089 HD
3	605467	3	DUST SHIELD
4	605512	1	4" IDLER PULLEY
5	124488-4	1	BELT GUIDE
6	781302	1	IDLER SPRING
7	121052	1	SLED, TENSIONER
8	608059	7	NT .312-18 FL NY G5
9	604790	2	IDLER SLIDE, EXTRUDED
10	604254	2	CB .50-13 X 2.50 STD ZN
11	781872	3	CS .625-11X1.250HXG5
12	017152	3	FW .688X1.75X.16 HD ZN
13	604661	6	SPACER, SPINDLE PULLEY
14	604665	3	PULLEY, DECK DRIVE B-SEC
15	606362	3	DUST SHIELD
16	604515	12	NT .375-16 FL NY GF
17	607479	2	IDLER PULLEY, 5.00"
18	605508	2	FW .73X2.25X.31 ZN
19	605465	1	BASE, IDLER PULLEY MOUNT
20	017129	1	FW .440X1.00X0.08 ZN
21	783506	3	BLADE SPINDLE ASSEMBLY
22	605532	12	CS .375-16X1.38 HXFG5ZN
23	016253	7	CB .312-18X .750 FUL ZN
24	021980	1	CB .500-13X 3.000 STD Z
25	608374	2	FW 0.719 X 1.75 X 0.125

Comments for Page: Pulleys & Spindles

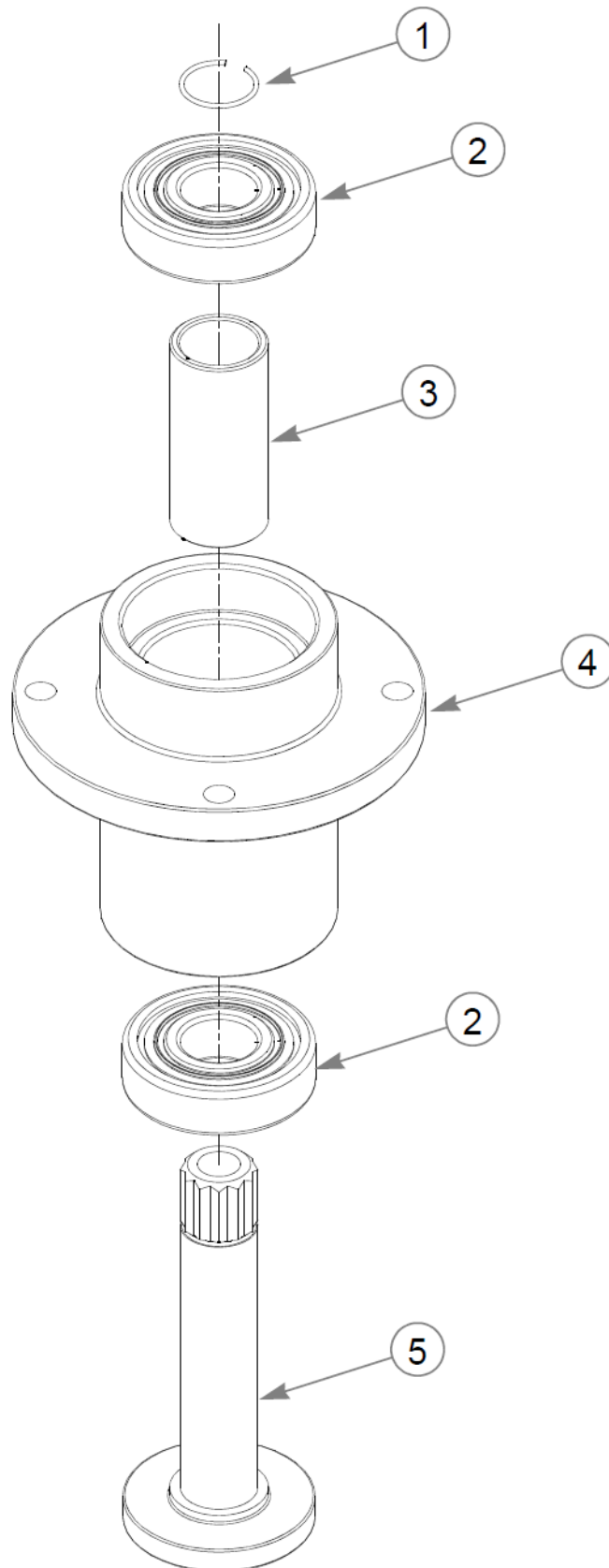
1. Torque to 99 N•m.
2. Torque to 40 N•m.
3. Torque to 160 N•m.
4. Torque to 4-8 N•m.



Item	Part No.	Qty	Name
1	781567	3	NT .500-13NLG5
2	604486	3	FW .531X.812X.089 HD
3	605467	3	DUST SHIELD
4	605512	1	4" IDLER PULLEY
5	124488-4	1	BELT GUIDE
6	781302	1	IDLER SPRING
7	121052	1	SLED, TENSIONER
8	608059	7	NT .312-18 FL NY G5
9	604790	2	IDLER SLIDE, EXTRUDED
10	604254	2	CB .50-13 X 2.50 STD ZN
11	781872	3	CS .625-11X1.250HXG5
12	017152	3	FW .688X1.75X.16 HD ZN
13	604661	6	SPACER, SPINDLE PULLEY
14	606362	3	DUST SHIELD
15	607479	2	IDLER PULLEY, 5.00"
16	605508	2	FW .73X2.25X.31 ZN
17	604664	3	PULLEY, DECK DRIVE B-SEC
18	604515	12	NT .375-16 FL NY GF
19	783506	3	BLADE SPINDLE ASSEMBLY
20	605532	12	CS .375-16X1.38 HXFG5ZN
21	605465	1	BASE, IDLER PULLEY MOUNT
22	017129	1	FW .440X1.00X0.08 ZN
23	608374	2	FW 0.719 X 1.75 X 0.125
24	021980	1	CB .500-13X 3.000 STD Z
25	016253	7	CB .312-18X .750 FUL ZN

Comments for Page: Deck Pulleys & Spindles

1. Torque to 99 N•m.
2. Torque to 40 N•m.
3. Torque to 160 N•m.

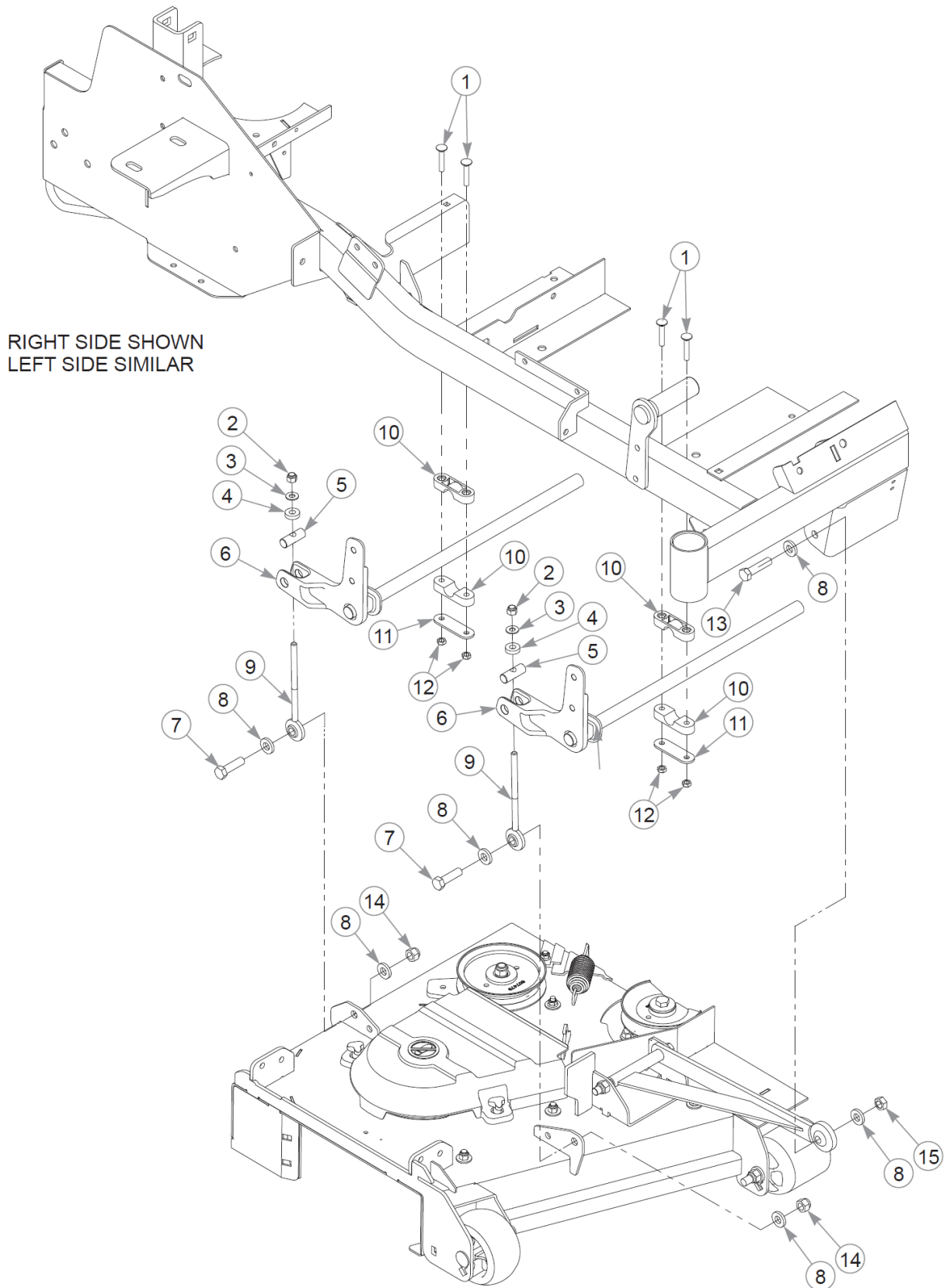


Item	Part No.	Qty	Name
	783506	1	BLADE SPINDLE ASSEMBLY
1	783548	1	RING, BLADE SPINDLE RET
2	607275	2	BLADE SPINDLE BEARING
3	783530	1	SPACER, BLADE SPINDLE
4	783514	1	HOUSING, BLADE SPINDLE
5	783522	1	SHAFT, BLADE SPINDLE

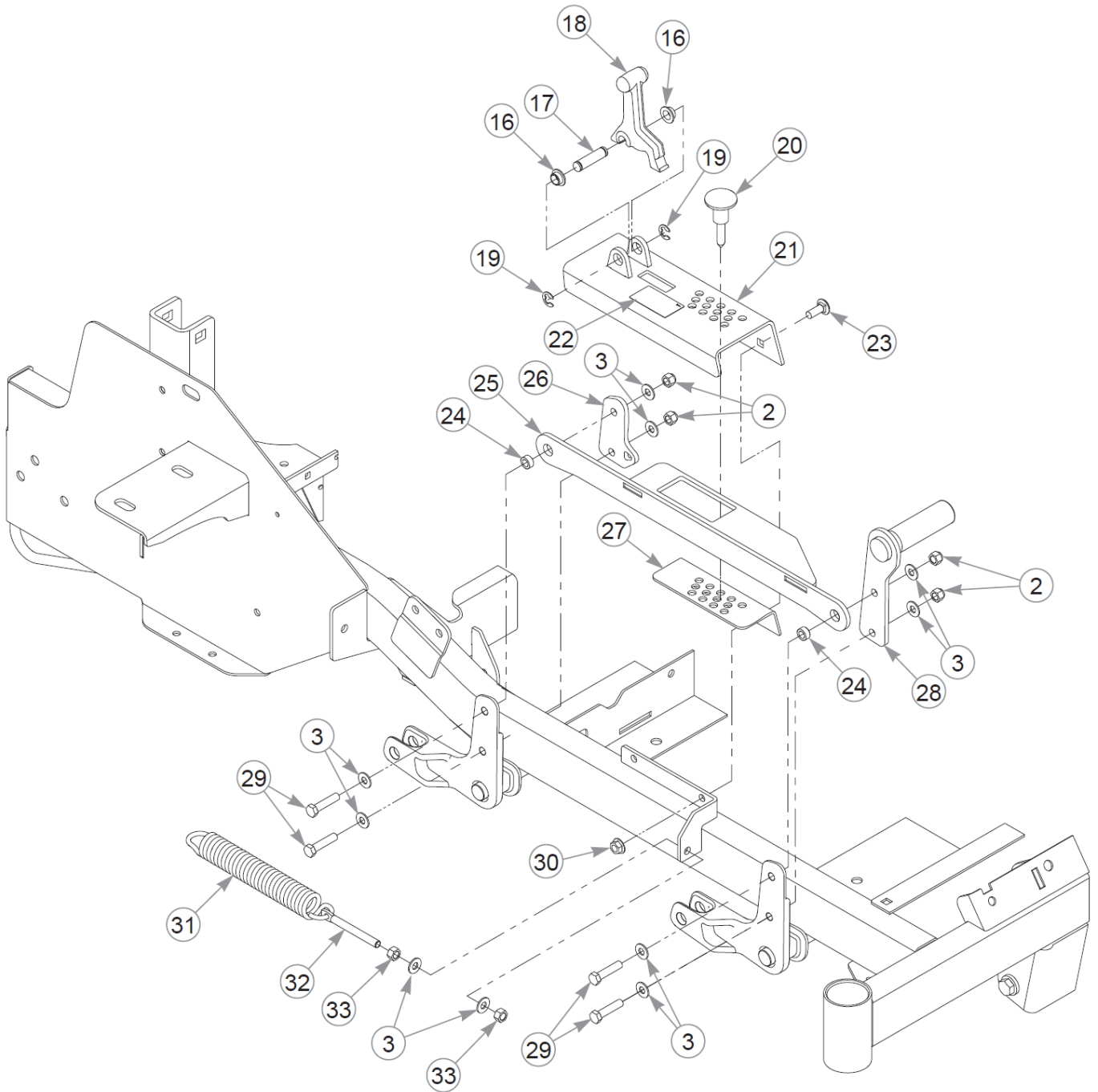
Item	Part No.	Qty	Name
1	607186	4	.25-20 FEMALE KNOB
2	607865	1	PULLEY COVER, RH
3	607866	1	PULLEY COVER, LH
4	602077	1	DECK BELT
5	781567	5	NT .500-13NLG5
6	109434	2	PULLER, W/A 10.9" C/C
7	042630	2	CS .500-13X6.500HXG5
8	767962	3	FW .531 x 1.063 x .175
9	602341	1	WHEEL, ANTI-SCALP
10	602344	1	SPACER, ANTI- SCALP 5.73
11	602338	1	CB .50-13 X 7.50 STD ZN
12	604780	2	WHEEL, ANTI-SCALP
13	602339	2	CB .50-13 X 4.50 STD ZN
14	016253	4	CB .312-18X .750 FUL ZN
15	605376	2	DECK BUMPER
16	079210	4	FW 0.344X1.0X0.06 ZN
17	604251	4	NT .312-18 HXNL JAM G2ZN
18	601124	3	BLADE, 18.50"-L-F-CW
	601124X	1	10PK BLADE, 18.50"-L-F-C
	606251	3	BLADE, 18.50"-H-F-CW
	606251X	1	10PK BLADE 18.50"-H-F-CW
	797712	3	BLADE, 18.50"-GAT-F-CW
	797712X	1	10PK BLADE, 18.50"-GAT-F
	797704	3	BLADE, 18.50"-MUL-F-CW
	797704X	1	10PK BLADE, 18.50"-MUL-F
19	782474	3	CW .678 X 2.250 X .187
20	781872	3	CS .625-11X1.250HXG5

Comments for Page: Deck Belt, Pulley Covers, & Blades

1. Torque to 118 ft-lbs.
2. Torque to 3–6 ft-lbs.
3. Torque the knobs to 15 in-lbs.



This page intentionally left blank

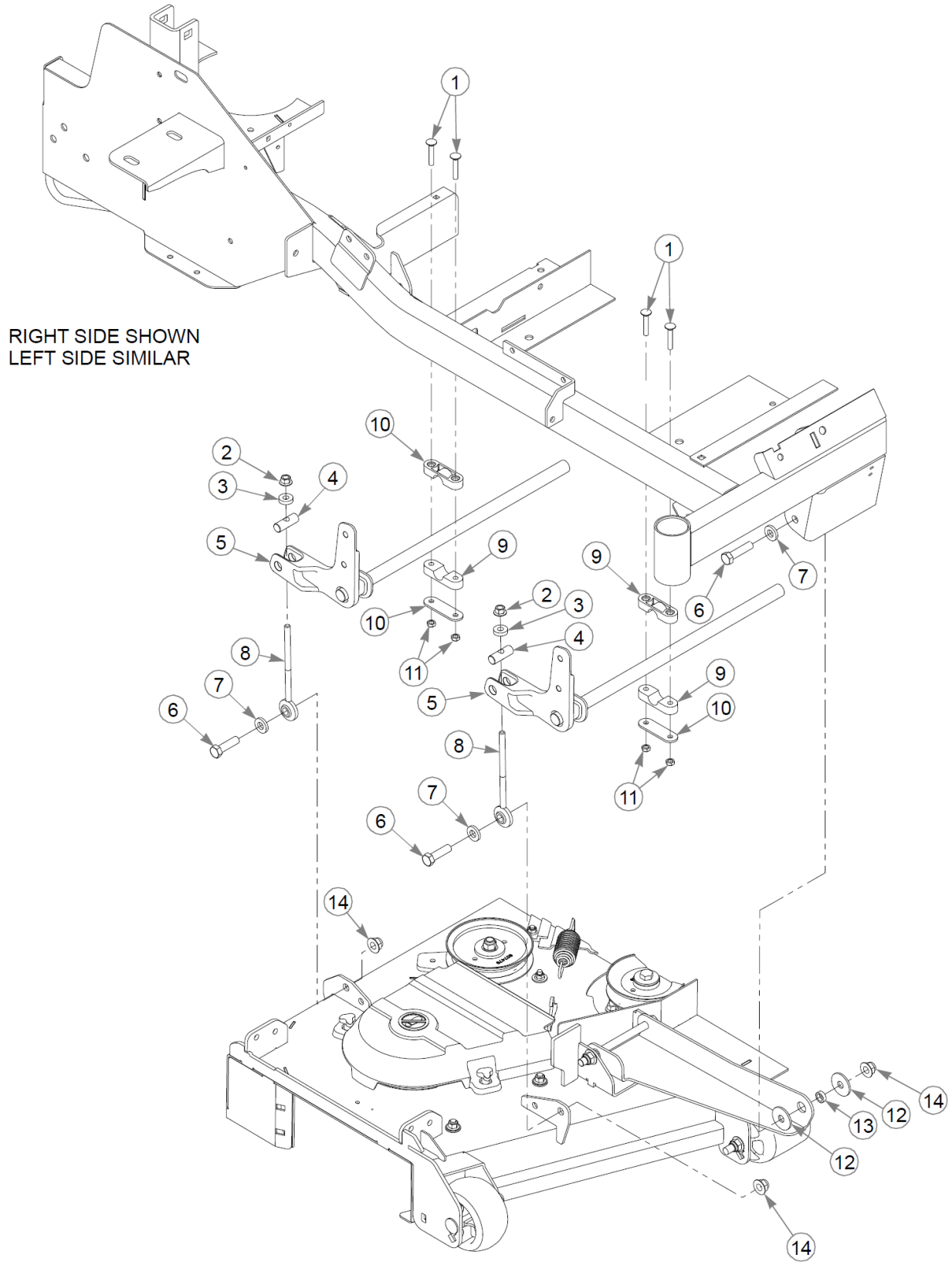


Item	Part No.	Qty	Name
1	771212	8	CB .312-18X 1.750 G5
2	086660	8	NT .375-16NLG8
3	767954	14	FW 0.379X.82X.06 HD ZN
4	605114	4	FW .41X.94X.25 UHMW
5	607970	4	PIVOT, DECK LIFT
6	127784-1	2	DECK LIFT W/A
7	017616	4	CS .500-13X1.750HXG5
8	767962	12	FW .531 x 1.063 x .175
9	127786	4	DECK HANGER
10	607907	8	BUSHING, DECK LIFT
11	126369-1	4	SUPPORT, DECK HANGER
12	604251	8	NT .312-18 HXNL JAM G2ZN
13	078949	2	CS .500-13X2.000 FUL HX
14	781567	4	NT .500-13NLG5
15	008193	2	NT .500-13HXG5
16	768259	2	BUSHING,IGUS#0810 (FS)
17	605470	1	CE .500X2.00X1.63
18	605466	1	TRANSPORT LATCH
19	793059	2	CLIP E,(1/2").80X.396X.
20	607039	1	PIN, .375X1.62 MAGNETIC
21	556159	1	SVC DECK HEIGHT CE
22	605786	1	DECAL, DECK HEIGHT CE
23	025395	2	CB .375-16X 1.00 G5 ZN
24	118900	2	SPACER, DECK LIFT LINK
25	126374-4	1	DECK LIFT LINK ZINC
26	126377-1	1	SPRING ASSIST PLATE
27	126370-1	1	DECK HEIGHT BRACKET
28	607971-1	1	PEDAL W/A
29	705160	4	CS .375-16X1.625HXG5
30	016899	2	NT .375-16 FLKG5
31	008938	1	TENSION SPRING-PLATED
32	601486	1	EB, .375-16X3.00 FULTHD
33	054502	2	NT .375-16HXG5

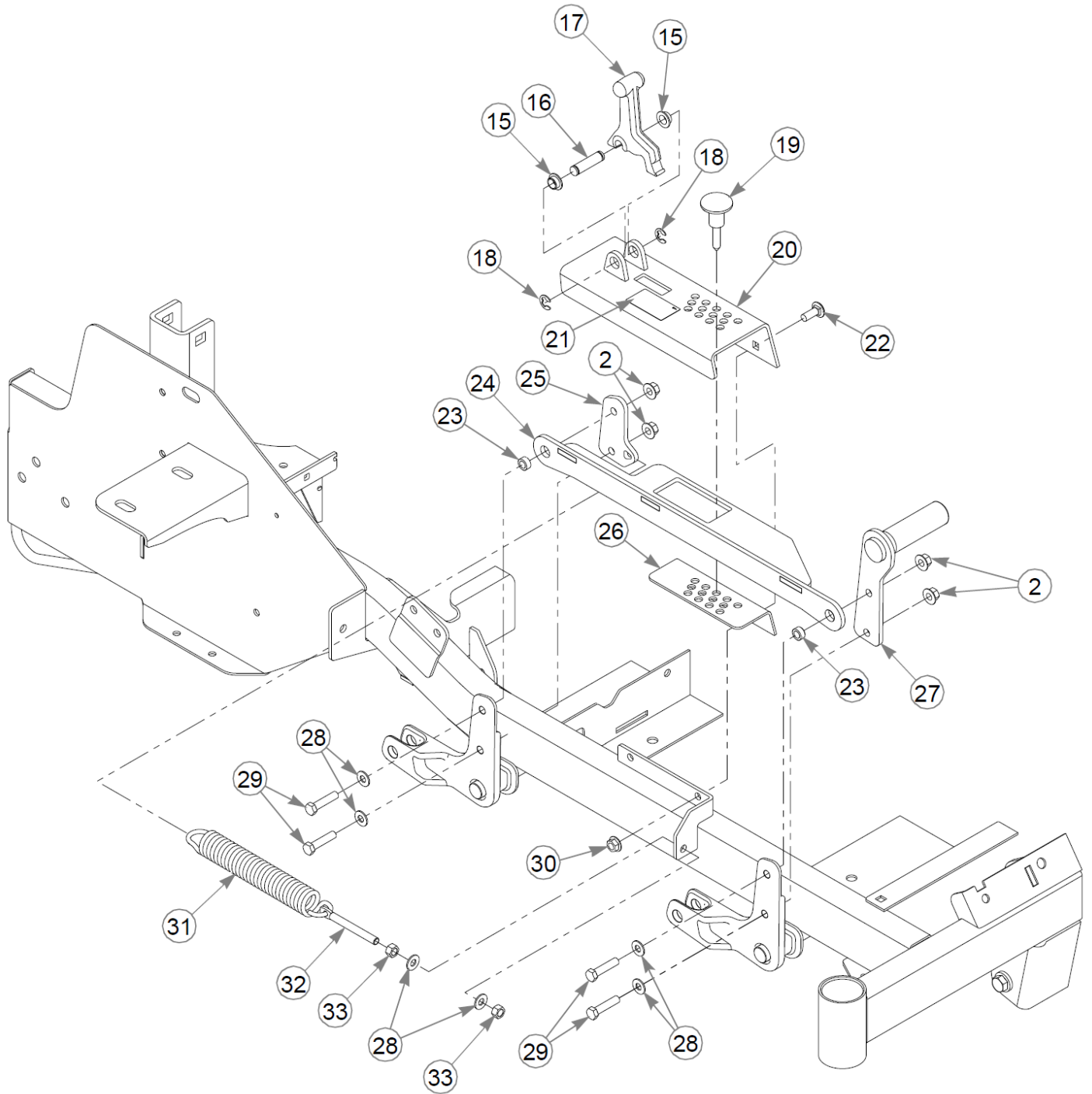
Comments for Page: Deck Lift & Mounting Hardware (Multi-Page) - Prior To S/N 21106078

1. The top deck lift bracket includes the decal.

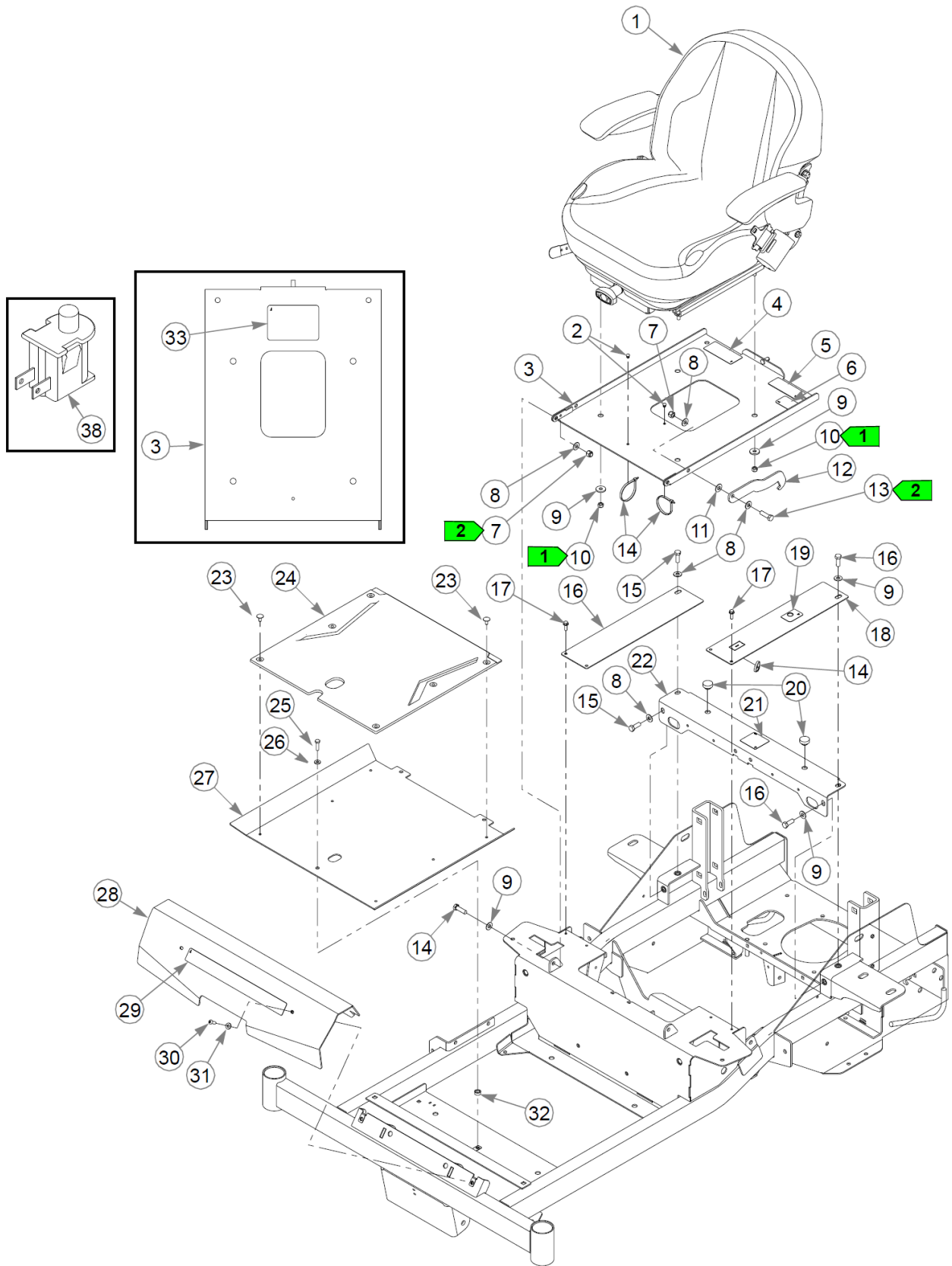
This page intentionally left blank



This page intentionally left blank

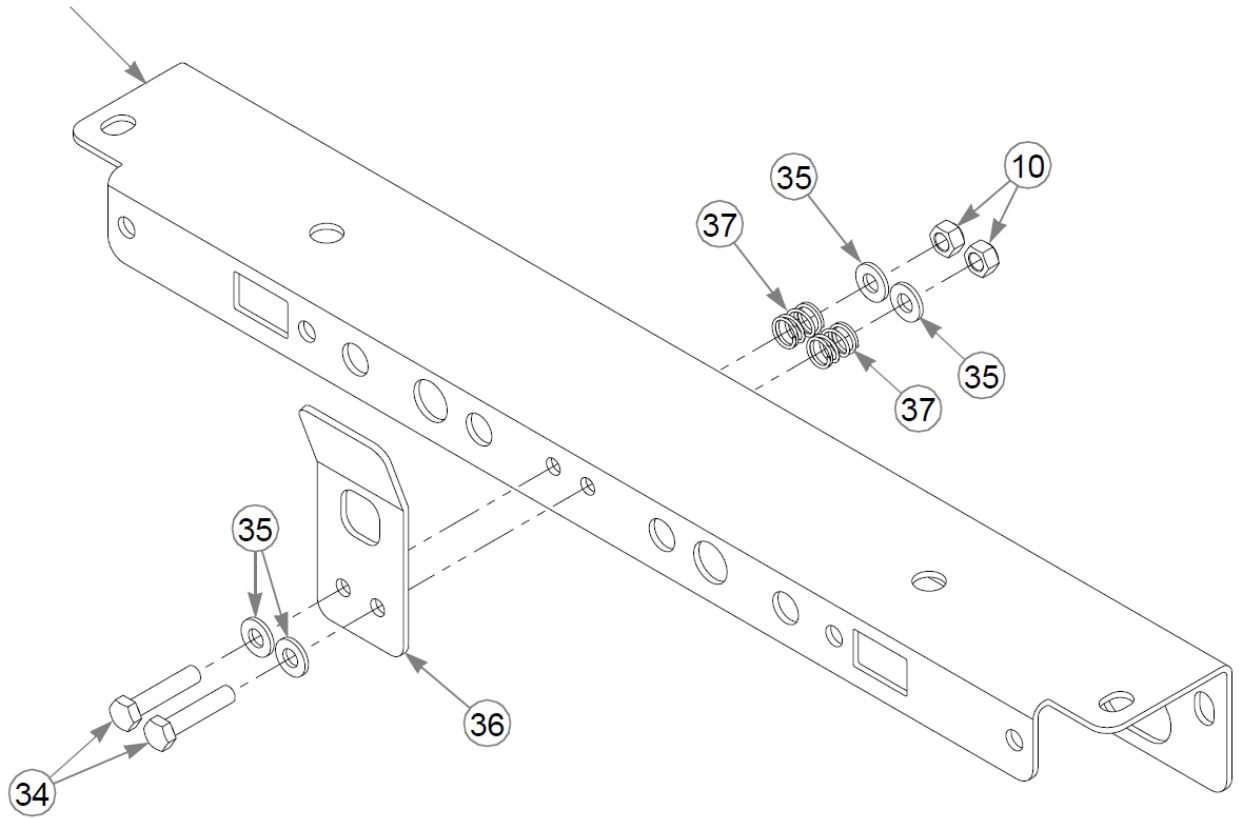


Item	Part No.	Qty	Name
1	608658	8	CB .3125 X 1.75 ZN G8
2	604515	8	NT .375-16 FL NY GF
3	605114	4	FW .41X.94X.25 UHMW
4	607970	4	PIVOT, DECK LIFT
5	127784-1	2	DECK LIFT W/A
6	017616	6	CS .500-13X1.750HXG5
7	767962	6	FW .531 x 1.063 x .175
8	127786	4	DECK HANGER
9	607907	8	BUSHING, DECK LIFT
10	126369-1	4	SUPPORT, DECK HANGER
11	604251	8	NT .312-18 HXNL JAM G2ZN
12	798603	4	FW .515X1.65X.12 HD ZN
13	604656	2	PIVOT SPACER BUSHING
14	608880	6	NT .500-13 FL NY
15	768259	2	BUSHING,IGUS#0810 (FS)
16	605470	1	CE .500X2.00X1.63
17	605466	1	TRANSPORT LATCH
18	793059	2	CLIP E,(1/2").80X.396X.
19	607039	1	PIN, .375X1.62 MAGNETIC
20	556159	1	SVC DECK HEIGHT CE
21	605786	1	DECAL, DECK HEIGHT CE
22	025395	2	CB .375-16X 1.00 G5 ZN
23	118900	2	SPACER, DECK LIFT LINK
24	608738-4	1	DECK LIFT LINK W/A
25	126377-1	1	SPRING ASSIST PLATE
26	126370-1	1	DECK HEIGHT BRACKET
27	607971-1	1	PEDAL W/A
28	767954	6	FW 0.379X.82X.06 HD ZN
29	705160	4	CS .375-16X1.625HXG5
30	016899	2	NT .375-16 FLKG5
31	008938	1	TENSION SPRING-PLATED
32	601486	1	EB, .375-16X3.00 FULTHD
33	054502	2	NT .375-16HXG5



This page intentionally left blank

SEAT SUPPORT



FRONT OF
MOWER

Item	Part No.	Qty	Name
1	608996	1	SEAT, SEATS INC 1110
2	604307	2	MOUNT, PUSH BUTTON
3	556152	1	SVC SEAT PAN
4	601967	1	DECAL, ENGINE COMPART
5	779280	1	DECAL, HOT & HYD OIL
6	605688	1	DECAL, LEVEL FUEL FILL
7	086660	3	NT .375-16NLG8
8	767954	10	FW 0.379X.82X.06 HD ZN
9	712927	4	FW 0.344X1.00X.12 HD ZN
10	058776	6	NT .312-18NLG5
11	724716	1	WASHER, FIBER (FS)
12	124558-4	1	SEAT STOP
13	052860	3	CS .375-16X1.25 HX G5 ZN
14	000331	3	WIRE TIE, SMALL/SHORT
15	036244	4	CS .375-16X1.00 HX G5 ZN
16	127798-6	1	FILLER PANEL RH
17	604324	4	CS .250-20 X .75 HX FLG
18	556153	1	SVC FILLER PANEL
19	608581	1	DECAL, FUEL SELECTOR
20	781880	2	BUMPER, .500x 1.00x .31
21	602562	1	DECAL, NO SERVICE
22	556245	1	SVC, SEAT SUPPORT
23	607868	6	PUSH IN RIVET
24	607864	1	FLOOR MAT
25	056077	1	CS .250-20X1.000HXG5
26	768515	1	FW 0.281SAE
27	126382-1	1	FLOOR PAN
28	556150	1	SVC FOOTREST
29	608095	1	DECAL, HUSTLER
30	605473	2	CS .250-20X0.75 BH TX BZ
31	605628	2	FW 0.281X.63X.07 ZB
32	118900	1	SPACER, DECK LIFT LINK
33	601815	1	DECAL, BATTERY WARNINGS
34	756270	2	CS .312-18X1.500HXG5
35	768523	4	FW 0.343SAE

This page intentionally left blank

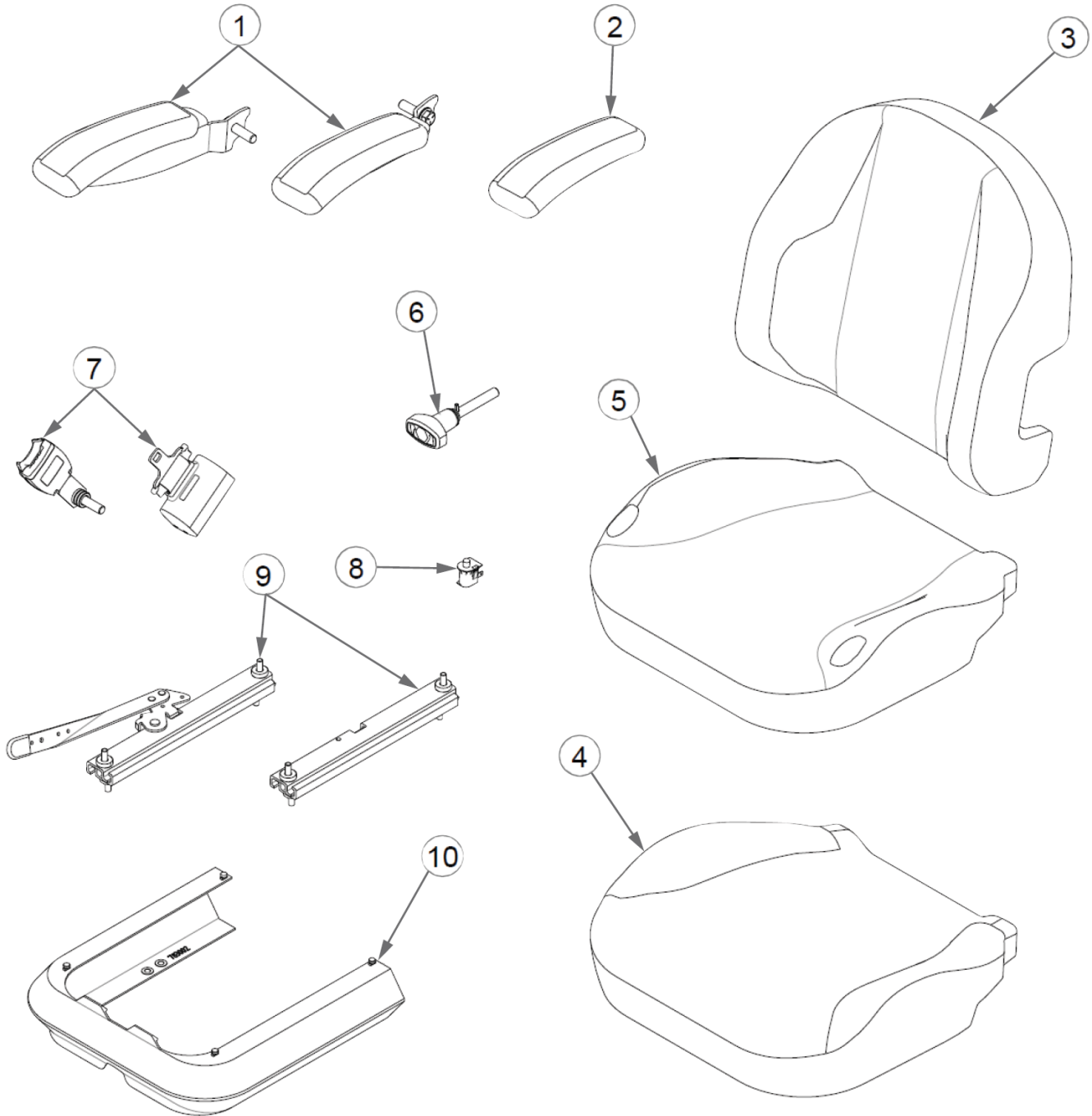
Item	Part No.	Qty	Name
36	124572-4	1	LATCH, SEAT
37	607046	2	SPRING, COMPRESSION
38	793315	1	SWITCH, SNAP MOUNT

Comments for Part Num. 793315

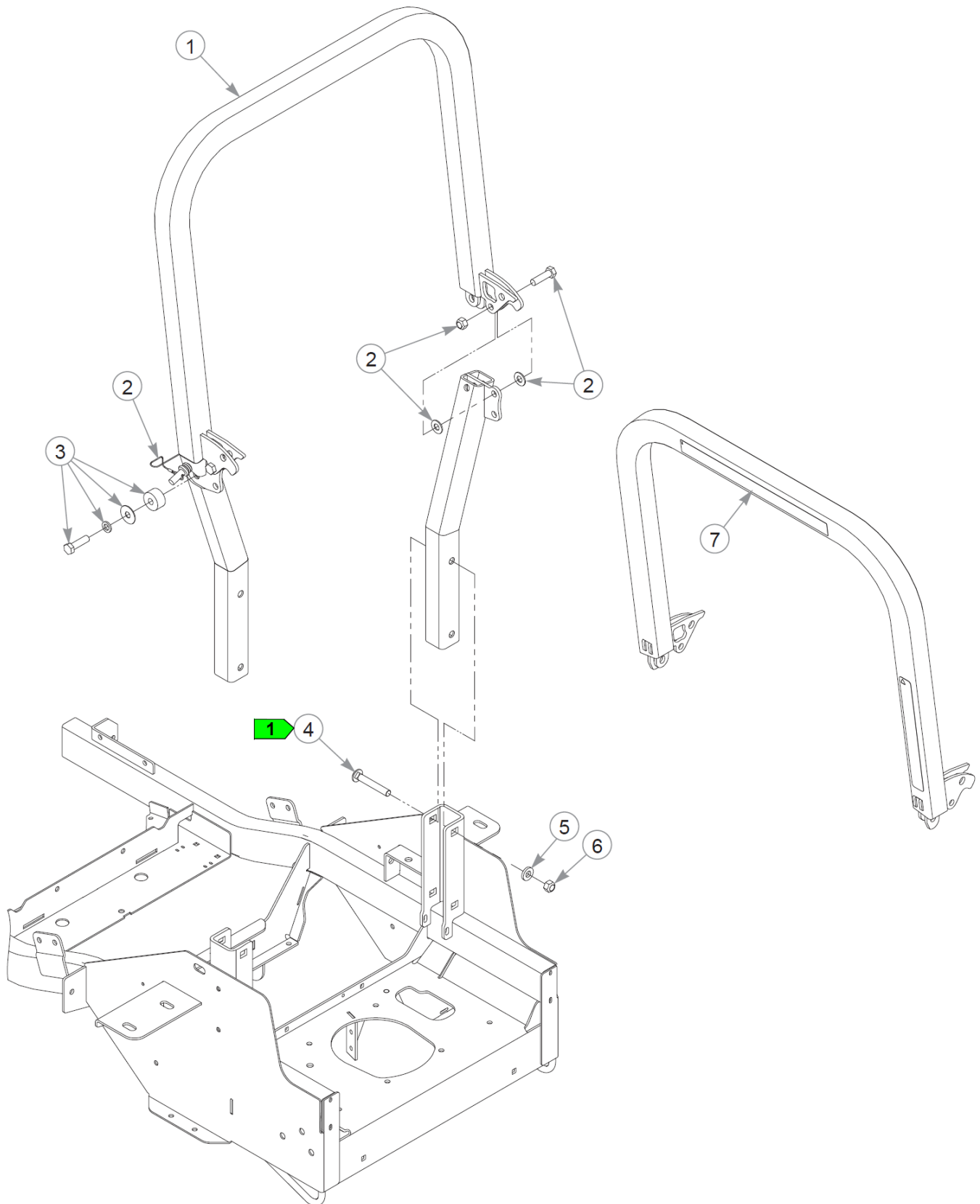
1. Torque to 11 ft-lbs.
2. Do not torque; the brake bell crank must pivot freely.
2. The steering arms include the grips.

Comments for Page: Seat & Footrest (Multi-Page)

1. Torque to 23 N•m.
2. Do not torque; the seat pan and seat stop must pivot freely.



Item	Part No.	Qty	Name
	608996	1	SEAT, SEATS INC 1110
1	606080	1	SVC, ARMREST SET
2	606081	2	SVC, ARM PAD
3	608998	1	SVC, BACK COVER
4	608997	1	SVC, SEAT CUSHION COVER
5	608350	1	SVC, SEAT FOAM 1110
6	607214	1	SVC RIDE ADJUST KNOB
7	607461	1	SVC, SEAT BELT KIT
8	606082	1	SVC, OPS
9	607459	1	SVC, SEAT TRACK KIT
10	607460	1	SVC, RUBBER BELLOW



Item	Part No.	Qty	Name
1	605479	1	ROPS ASSY
2	605044	1	KIT, ROPS HARDWARE
3	605646	2	KIT, POLY STOP (PAIR)
4	607008	4	CB .50-13 X 3.25 GR5
5	767962	4	FW .531 x 1.063 x .175
6	023317	4	NT .500-13UNTG8
7	605691	1	DECAL, COMMERCIAL DUTY

Comments for Page: ROPS

1. Torque to 99 N•m.