

# Hustler® Parts Manual



**HUSTLER®**  
TURF EQUIPMENT

200 South Ridge Road

Hesston, Kansas

67062



#### NOTICE OF REQUIREMENT OF SPARK ARRESTER MUFFLER

This equipment may create sparks that can start fires around dry vegetation. California Public Resources Code Section 4442.6 provides that it is unlawful to use or operate an internal combustion engine on any forest-covered, brush-covered, or grass-covered land unless the engine is equipped with a spark arrester maintained in effective working order. A spark arrester is a device constructed of nonflammable materials specifically for the purpose of removing and retaining carbon and other flammable particles over 0.0232 of an inch in size from the exhaust flow of an internal combustion engine that uses hydrocarbon fuels or which is qualified and rated by the United States Forest Service. Other states or federal areas may have similar laws. The Operator Should Contact Local Fire Agencies For Laws or Regulations Relating to Fire Prevention Requirements. **THIS EQUIPMENT DOES NOT HAVE A SPARK ARRESTER AND YOU SHOULD CONTACT YOUR AUTHORIZED DEALER FOR THE PURCHASE OF A SPARK ARRESTER.**

Inspect spark arrester daily; replace every 500 hours or as needed.

The Engine Owner's Manual provides information regarding the U.S. Environmental Protection Agency (EPA) and the California Emission Control Regulation of emission systems, maintenance and warranty.

Keep Engine Owner's Manual with your unit. Should the Engine Owner's Manual become damaged or illegible, replace immediately. Replacements may be ordered per the information found in the Product Information section of the owner's manual.

Federal law and California State law prohibit the following acts or the causing thereof:

1. The removal or rendering inoperative by any person other than for purposes of maintenance, repair, replacement, of any device or element of design incorporated into any equipment for the purposes of emissions control prior to or after its sales or delivery to the ultimate purchaser or while it is in use, or
2. The use of the equipment after such device or element of design has been removed or rendered inoperative by any person.

General Information .....	1
<b>Frame, Foot Platform &amp; Tower Pad</b>	
Frame .....	3-1
Operator Platform & Tower Pad (Multi-Page) .....	3-2
<b>Hydraulic System, Drive Belt, Clutch, Steering &amp; Brake</b>	
Hydraulic System & Hydraulic Filter (Multi-Page) .....	4-1
Left Pump Assembly .....	4-2
Right Pump Assembly .....	4-3
Hydraulic Pump Service Parts .....	4-4
Wheel Motor Assembly .....	4-5
Pump Drive, Drive Belt & Clutch .....	4-6
Steering (Multi-Page) .....	4-7
Brake .....	4-8
<b>Wheels, Tires &amp; Fenders</b>	
Wheels & Tires .....	5-1
Front Wheel Assembly .....	5-2
Drive Wheel Assembly .....	5-3
<b>Engine, Muffler &amp; Fuel System</b>	
Engine & Muffler (Multi-Page) .....	6-1
Engine Service Parts - FX691V .....	6-2
Fuel System .....	6-3
Fuel Tank Service Parts - 605908 .....	6-4
<b>Instrument Panel, Wire Harness &amp; Battery</b>	
Instrument Panel & Wire Harness .....	7-1
Battery .....	7-2
<b>Deck, Deck Belt, Blades, Deck Lift &amp; Mounting</b>	
Service Deck .....	8-1
Deck Pulleys & Spindles .....	8-2
Spindle Assembly Service Parts - 607407 .....	8-3
Deck, Deck Belt & Blades (Multi-Page) .....	8-4
Dust Shield .....	8-5
Deck Lift & Mounting Hardware (Multi-Page) - Prior to S/N 21091848 .....	8-6
Deck Lift & Mounting Hardware (Multi-Page) - S/N 21091848 & Higher .....	8-7



---

# General Information

*Note:* When ordering parts, you must use the part number as shown for each part, not the index number. Always give the model and serial number to your parts and service representative.

*Note:* Items sold in bulk such as seals and hoses are sold by the foot.

---

## Using This Manual

This manual is part of a service package for the Hustler® mowers. Use of this manual in conjunction with other Hustler® mower and component manuals will provide the information necessary to service and maintain Hustler® mowers.

This Parts Manual provides a complete parts listing for the unit. Use this manual when ordering parts. Illustrations used were current at the time of printing, but subsequent production changes may cause your machine to vary slightly in detail. Excel Industries, Inc. reserves the right to redesign and change the machine as deemed necessary, without notification. If a change has been made to your machine which is not reflected in this parts manual, see your authorized dealer for current information and parts.

The Service Manual is a service guide for use by Service Technicians. It provides the necessary information needed to perform normal maintenance requirements on these units.

The Operator's Manual provides fundamental operational information and operational safety that is needed when operating the mower.

The component manuals are furnished by the various manufacturers to be used for the troubleshooting and servicing of their products.

## Hardware Description Codes & Abbreviations

The following codes are used throughout this parts manual. Refer to this list when ordering parts.

ABBREVIATION	DESCRIPTION	ABBREVIATION	DESCRIPTION
CB	CARRIAGE BOLT	MB	MACHINE BUSHING
CE	CLEVIS PIN	MS	MACHINE SCREW
CN	CLIP NUT	NT	NUT
CP	COTTER PIN	SC	SELF TAPPING CAP SCREW
CS	CAP SCREW	SH	SOCKET HEAD
CW	CUP WASHER	SB	SHOULDER BOLT
FDRW	FENDER WASHER	SS	SET SCREW
FW	FLAT WASHER	OD	OUTSIDE DIAMETER
HX	HEX HEAD	ID	INSIDE DIAMETER
LW	LOCK WASHER	WN	WELD NUT

---

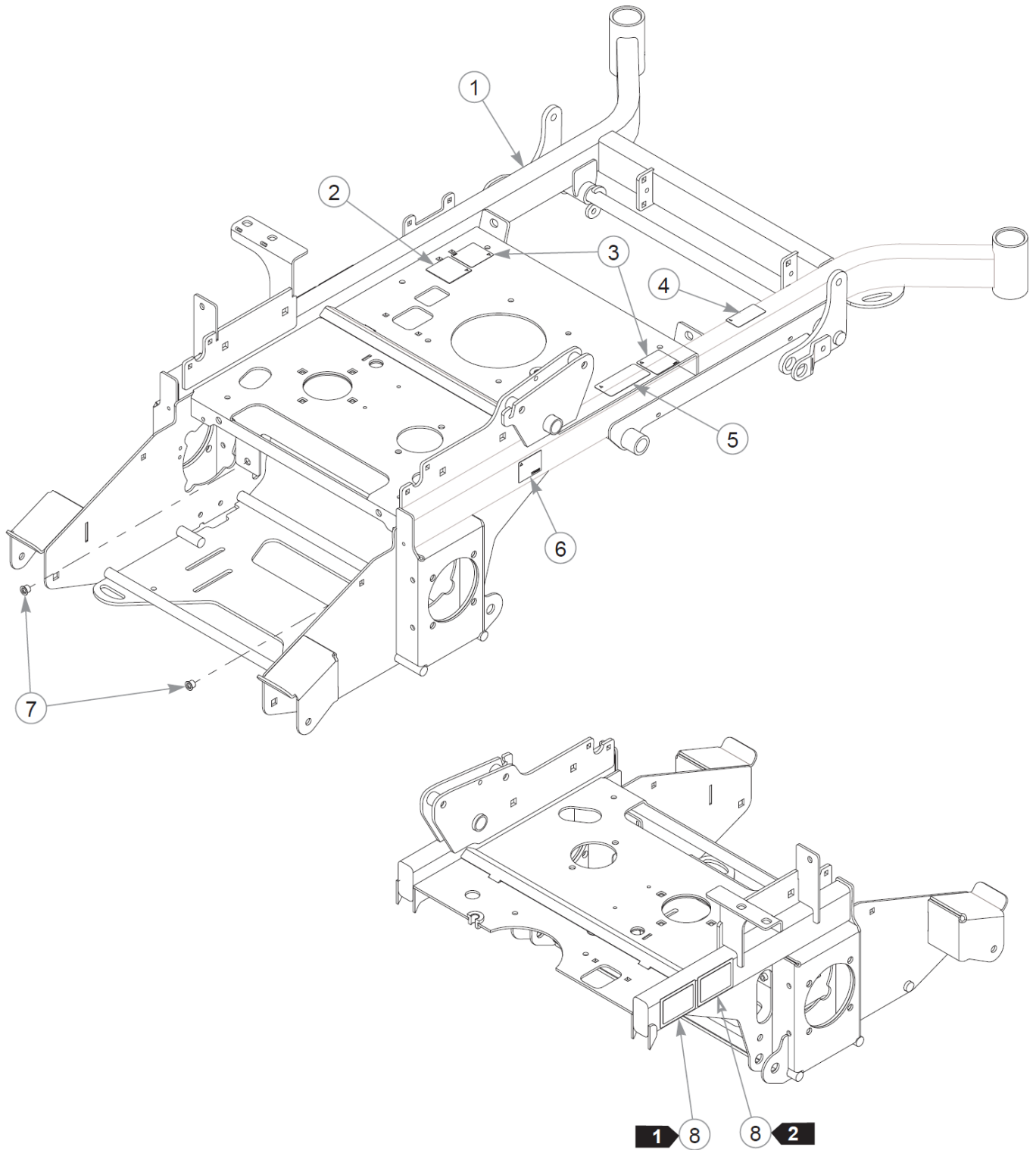
## Standard Torques

The following chart lists the standard torque values for the threaded fasteners found in this manual. Torque all cap screws, nuts and set screws to these values unless a different torque is shown in the Notes section next to the fastener.

SIZE	FT-LBS	N•M	SIZE	FT-LBS	N•M
.250	8.2	11.1	M3	1	1.3
.312	17	23	M4	2.2	3
.375	30	40	M5	4.5	6.1
.438	48	65	M6	7.7	10.4
.500	73	99	M8	18.5	25
.562	105	143	M10	37	50
.625	145	200	M12	64	87
.750	260	350	M14	80	108.5
.875	420	565	M16	160	215
1.00	625	850	M20	320	435
			M24	555	750

---

Cette page intentionnellement laissée vierge



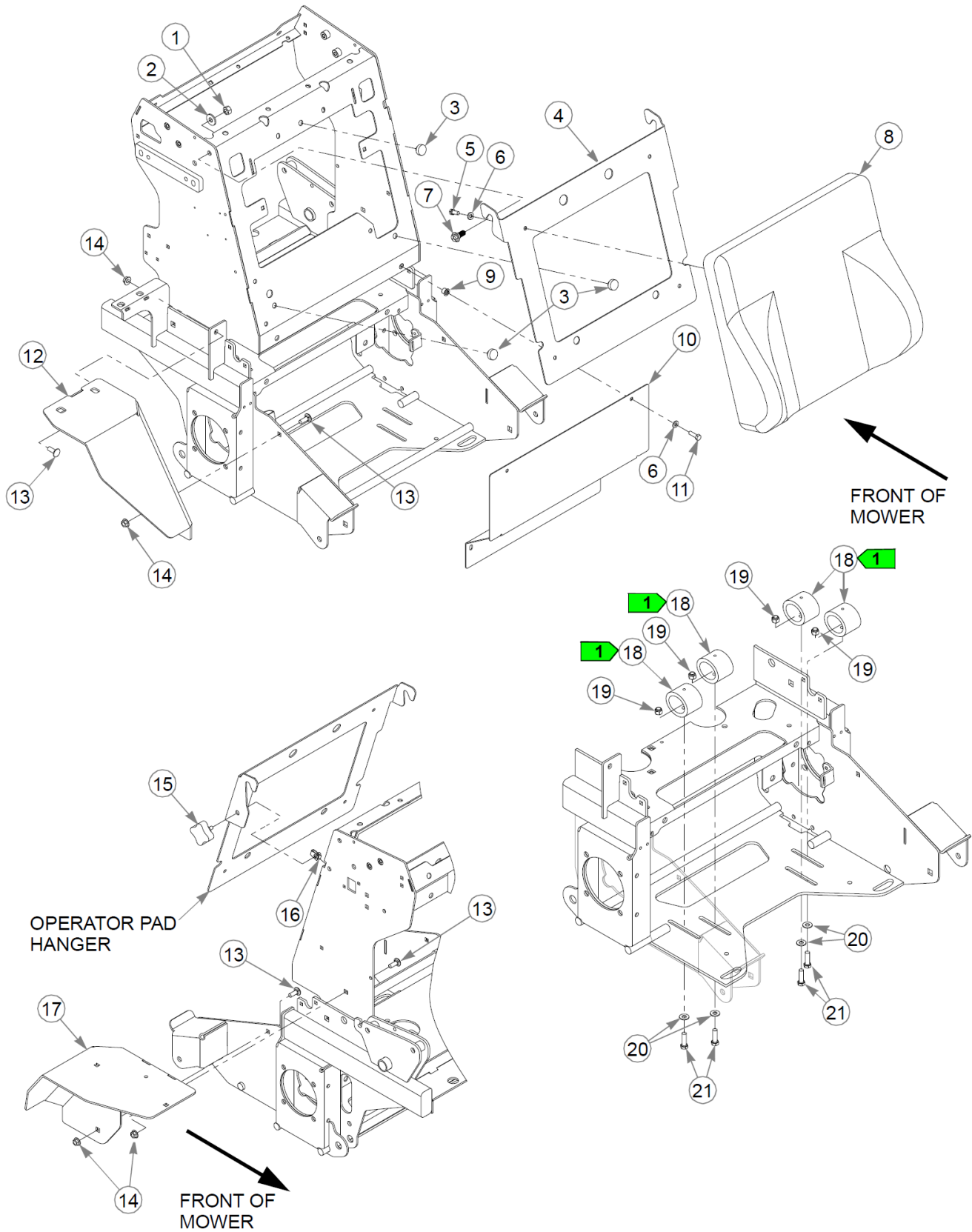
# Frame

Élément	Numéro de pièce	Qté	Nom
1	555877	1	SVC FRAME
2	789776CE	1	DBA LIMIT DECAL
3	602562	2	DECAL, NO SERVICE
4	602041	1	DECAL, HOT
5	606323	1	DECAL, ENGINE PLATE
6	776310	1	DECAL, CE MARK
7	808485	2	RIVET NUT, 5/16-18 THRE
8	N/A	2	SERIAL NUMBER / SPEC DECAL

Comments for Page: Frame

1. Serial number decal. In the event the serial number decal becomes damaged or illegible, please contact your dealer to order a replacement.
2. EPA compliance decal.
3. The frame includes the decals and rivet nuts.





Cette page intentionnellement laissée vierge



Élément	Numéro de pièce	Qté	Nom
1	704635	2	NT .437-20HXG5
2	602680	2	FW .453X1.12X.12 HRD ZN
3	781880	3	BUMPER, .500x 1.00x .31
4	127214-1	1	HANGER, OPERATOR PAD
5	034280	4	CS .312-18X0.750HXG5
6	768523	12	FW 0.343SAE
7	201663	2	SB .563 X .295HX .437-20
8	608258	1	OPERATOR PAD
9	808485	2	RIVET NUT, 5/16-18 THRE
10	127215-1	1	KICK PLATE
11	036236	4	CS .312-18X1.000HXG5
12	127222-1	1	FENDER W/A, LH
13	025395	4	CB .375-16X 1.00 G5 ZN
14	016899	4	NT .375-16 FLKG5
15	792002	1	KNOB,5/16-18 X 3/4"MALE
16	601069	5	CN .312-18x.200 MAX THK
17	127223-1	1	FENDER W/A, RH
18	608252	4	BUMPER
19	086660	4	NT .375-16NLG8
20	767954	4	FW 0.379X.82X.06 HD ZN
21	052860	4	CS .375-16X1.25 HX G5 ZN
22	761544	2	CS .500-13X2.250HXG8
23	798603	6	FW .515X1.65X.12 HD ZN
24	122241	2	FLOOR PAN PIVOT
25	608000	2	BUSHING
26	781567	2	NT .500-13NLG5
27	608352	2	SPRING, EXTENSION
28	033001	6"	FLEXIBLE TRIM UNI-GRIP
29	127123-1	1	W/A, PLATFORM
30	601822	1	NUT PLATE, .420 CENTERS
31	602538	1	SWITCH PLUNGER, NC/NO
32	063198	2	CS #10-24X0.750FLKG5
33	127216-1	1	MOTOR SHIELD, LH
34	127217-1	1	MOTOR SHIELD, RH
35	602231	4	CS .312-18X1.00 BTNHD ZN

## Operator Platform & Tower Pad (Multi-Page)

48" Super S Parts Manual - 940270CE - HTSUPR048KAWFX691VC

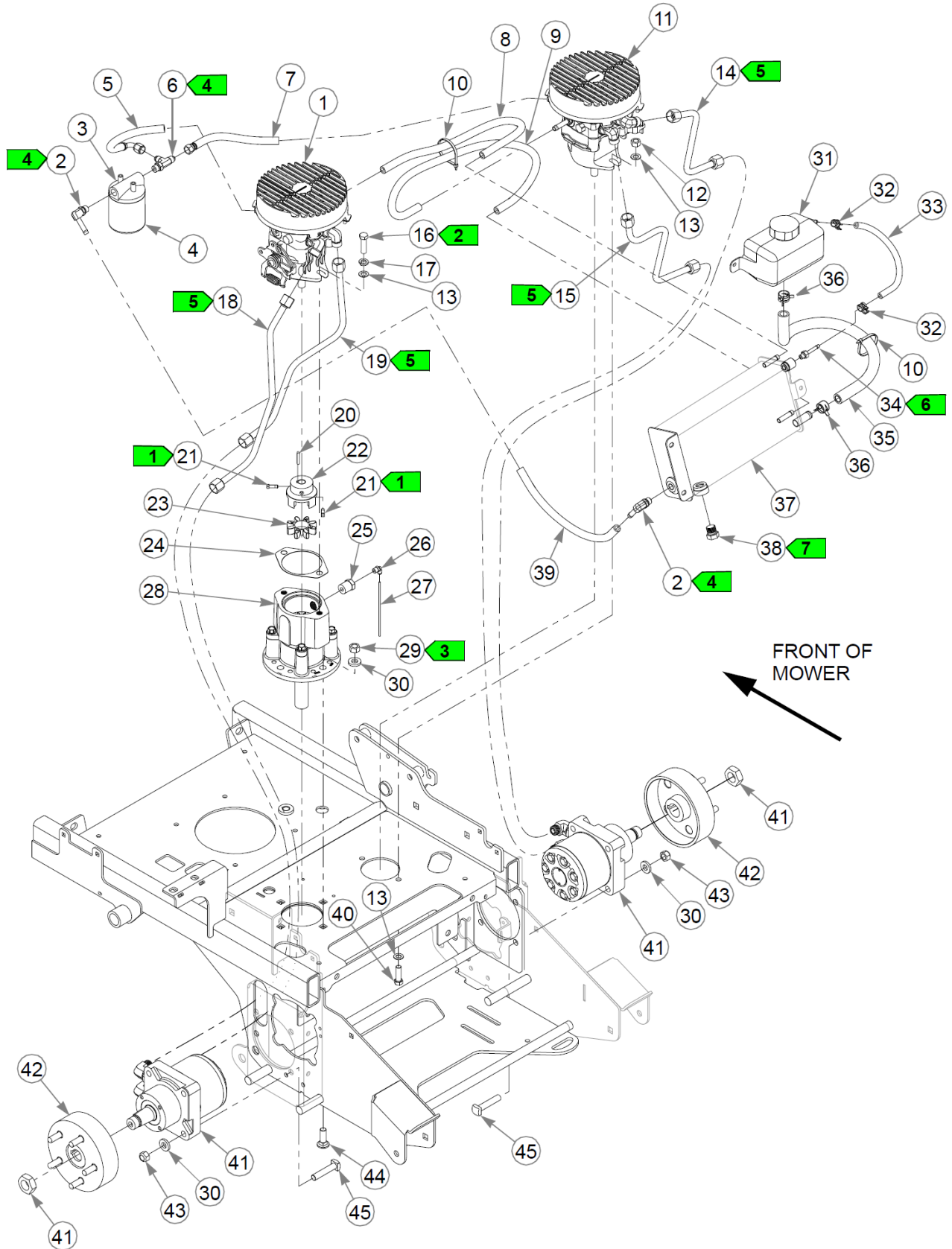
Comments for Page: Operator Platform & Tower Pad (Multi-Page)

1. Position the bumpers in the center of the slots.

TRIM LENGTH

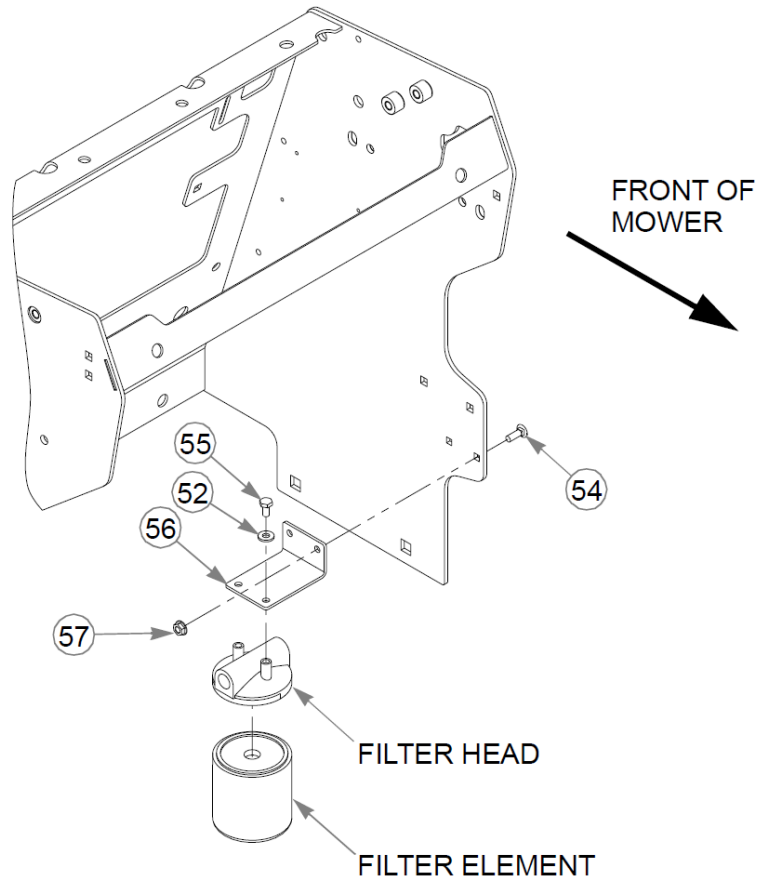
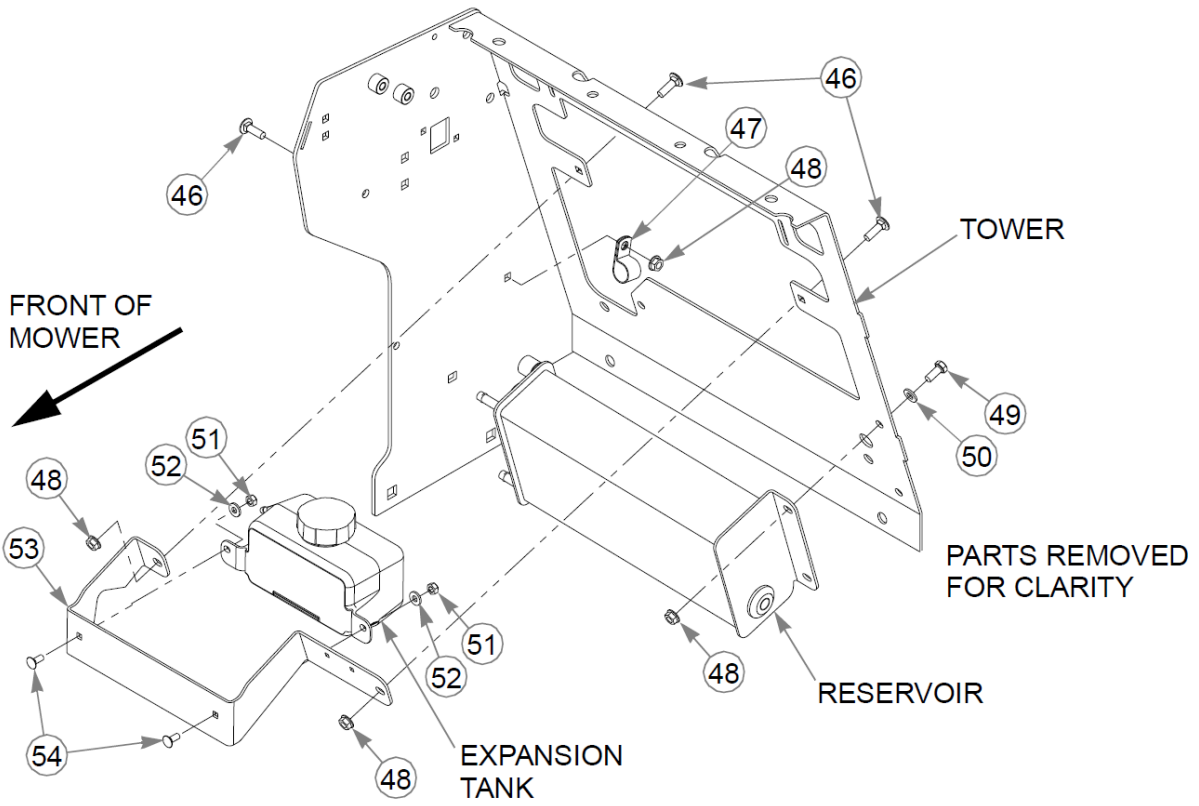
A: 3"

Cette page intentionnellement laissée vierge



Cette page intentionnellement laissée vierge





Élément	Numéro de pièce	Qté	Nom
1	N/A	1	REFER TO "LEFT PUMP ASSEMBLY"
2	787465	2	FTG, 90°-6MORB/-6BT
3	768333	1	FILTER HEAD ZINGA BF SE
4	768341	1	HYDRAULIC OIL FILTER
5	608082	1	LH PUMP SUCTION HOSE
6	763953	1	FTG T,-6 O-RING/-6J
7	608083	1	RH PUMP SUCTION HOSE
8	608072	1	HOSE, LEFT CASE DRAIN
9	608073	1	HOSE, RIGHT CASE DRAIN
10	000331	2	WIRE TIE, SMALL/SHORT
11	N/A	1	REFER TO "RIGHT PUMP ASSEMBLY"
12	041707	2	NT .437-14HXG5
13	704742	6	FW 0.453X.81X.06 ZN
14	608004	1	TUBE, RP-TM
15	608003	1	TUBE, LP-BM
16	606200	2	CS .437-20X1.50 HXG5
17	606176	2	LW .437 MED ZC
18	608001	1	TUBE, LP-TM
19	608002	1	TUBE, RP-BM
20	768127	1	KEY 5mm x30mm RADIUS EN
21	606263	2	SS .250-20 X .750 SQ
22	606184	1	PUMPSIDE COUPLING
23	605980	1	LH100 SPIDER 92A YELLOW
24	606266	1	JACKSHAFT GASKET
25	606327	1	FTG, 1/2X1/8 PTR-S VIBRA
26	606267	1	FTG, W369PLP-2-2 NPT
27	606353	1	NYLON TUBE, 1/8"
28	606183	1	JACKSHAFT ASSEMBLY
29	008193	4	NT .500-13HXG5
30	767962	12	FW .531 x 1.063 x .175
31	608057	1	1L EXPANSION TANK
32	000323	2	CLIP, HOSE CLAMP
33	608074	1	HOSE, VENT
34	608232	1	FTG, -4ORB -4BT
35	608071	1	HOSE, FILL
36	608291	2	CLAMP, -10 CONS TEN

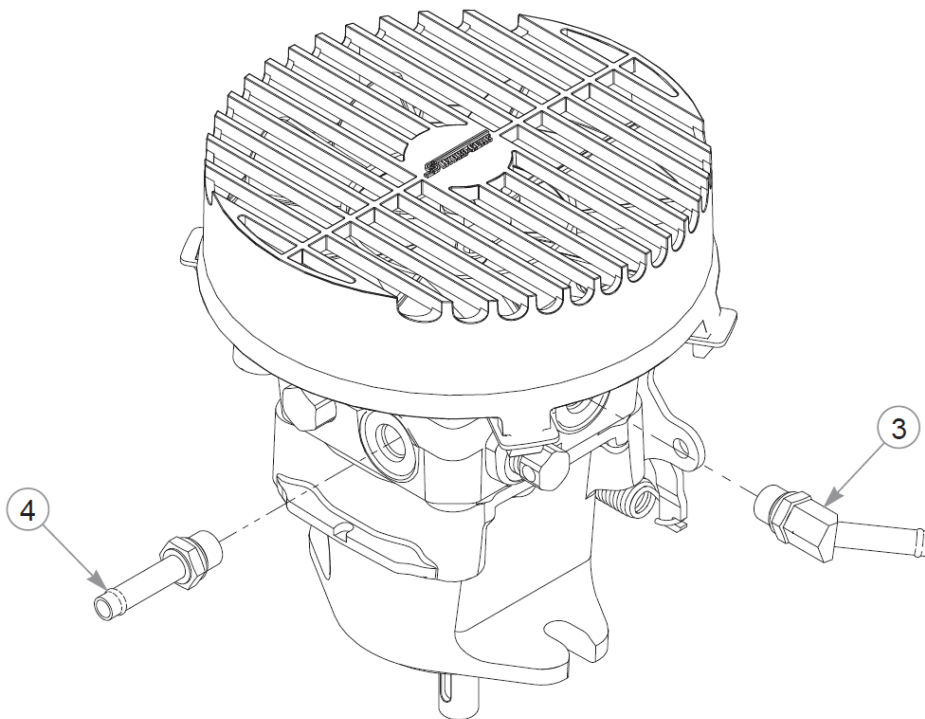
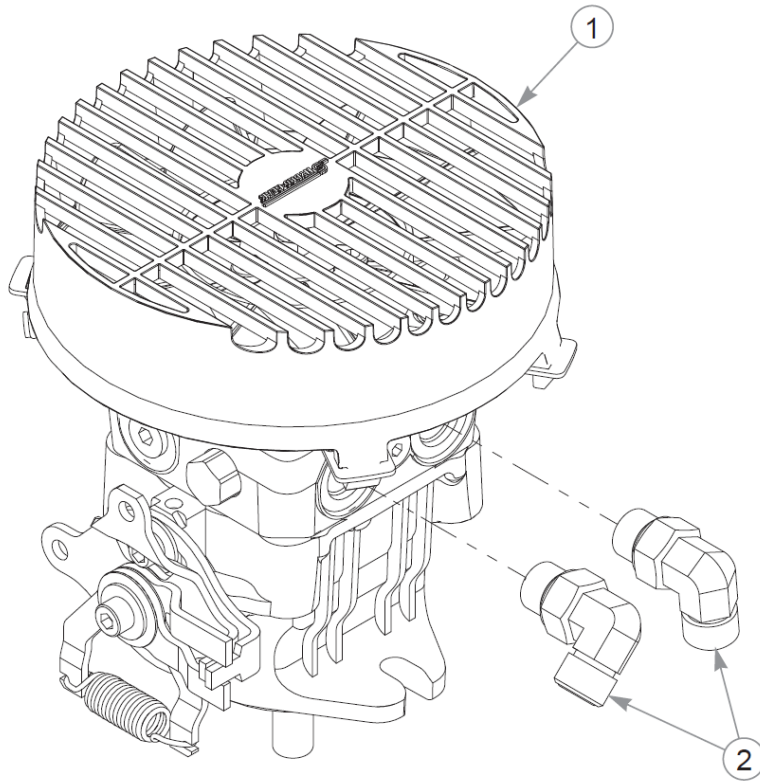
Cette page intentionnellement laissée vierge

Élément	Numéro de pièce	Qté	Nom
37	608065	1	RESERVOIR W/A
38	781658	1	FTG, -8MORB/HEX PLUG
39	608081	1	HOSE, SUPPLY
40	705186	2	CS .437-14X1.375HXG5
41	N/A	2	REFER TO "MOTOR ASSEMBLY"
42	602384	2	HUB ASSY, PARKER
43	023317	8	NT .500-13UNTG8
44	028274	4	CB .500-13X 1.500 FULL
45	602256	8	CS .500-13X2.500 SQ G5
46	037887	3	CB .312-18X 1.000 FUL ZN
47	043570	1	CLIP - HOSE - SINGLE(FS)
48	016832	6	NT .312-18FLKG5
49	034280	3	CS .312-18X0.750HXG5
50	768523	3	FW 0.343SAE
51	068551	2	NT .250-20 HXZY NL
52	768515	4	FW 0.281SAE
53	126960-1	1	EXPANSION MOUNT
54	794784	4	CB .250-20 X .75 FUL ZN
55	055947	2	CS .250-20X0.50 HX G5 ZN
56	122481	1	BRACKET, OIL FILTER
57	016816	2	NT .250-20FLKG5

Comments for Page: Hydraulic System & Hydraulic Filter (Multi-Page)

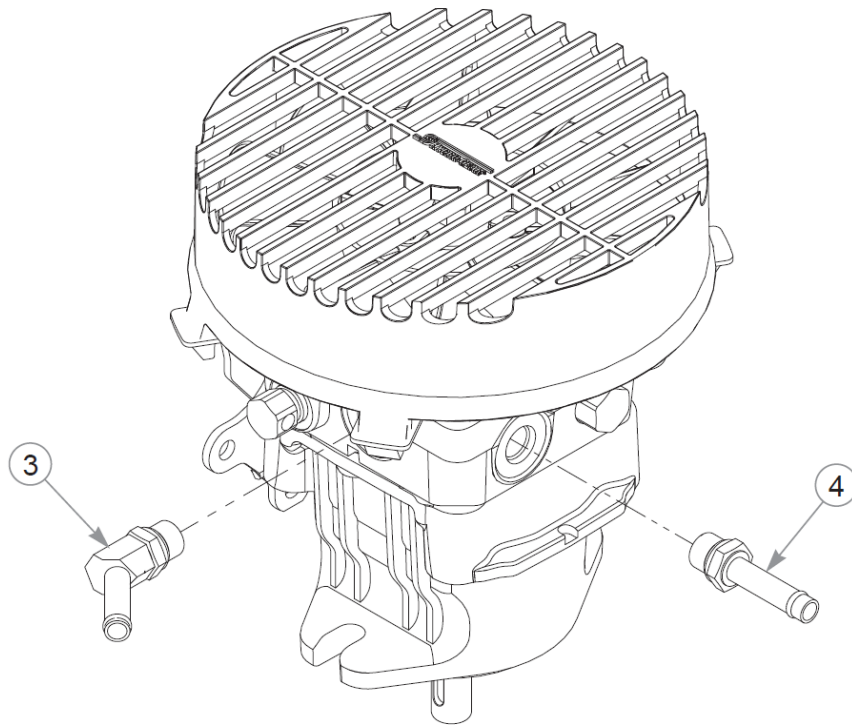
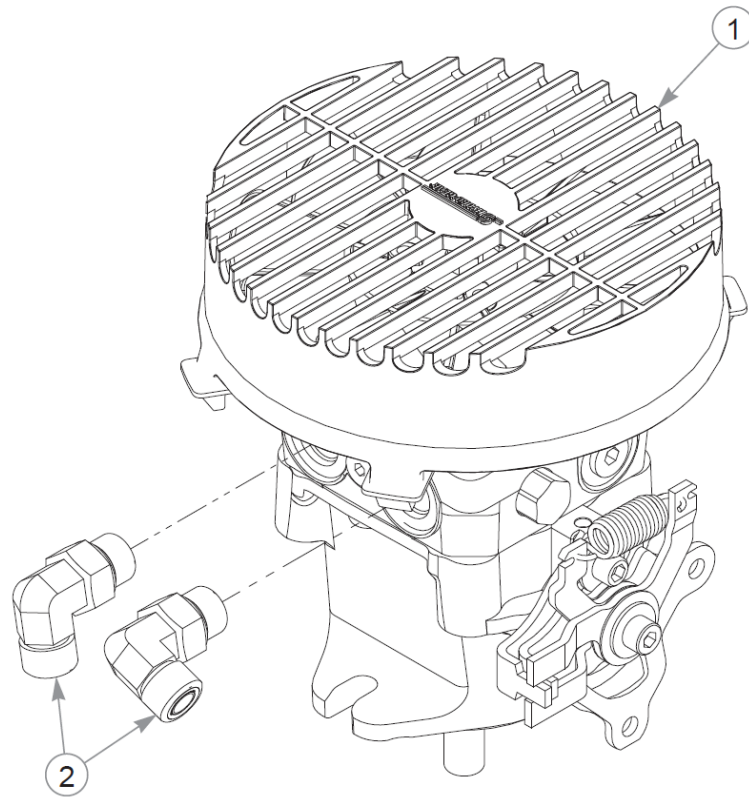
1. Torque to 8–9 ft-lbs.
2. Torque to 30–32 ft-lbs.
3. Torque to 73 ft-lbs.
4. Torque to 35 ft-lbs.
5. Torque to 40 ft-lbs.
6. Torque to 25 ft-lbs.
7. Torque to 60 ft-lbs.

# Left Pump Assembly



# Left Pump Assembly

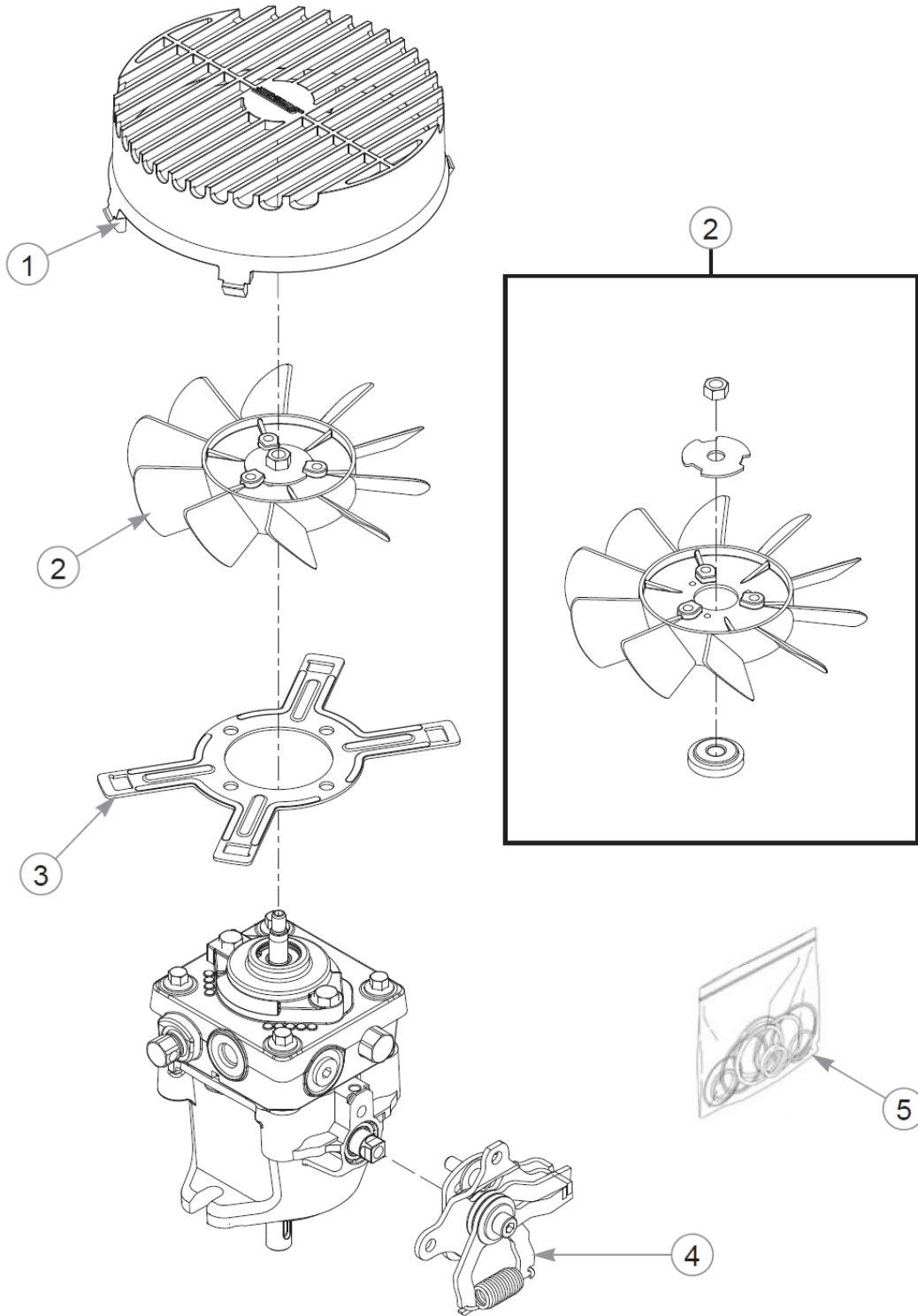
Élément	Numéro de pièce	Qté	Nom
1	606058	1	PUMP, H-G 12CC W/FAN-HH
2	781542	2	FTG, 90°-8MORB/-8MORFS
3	784108	1	FTG, 45°-6MORB/-6BT
4	787473	1	FTG, -6MORB/-6 BEAD



# Right Pump Assembly

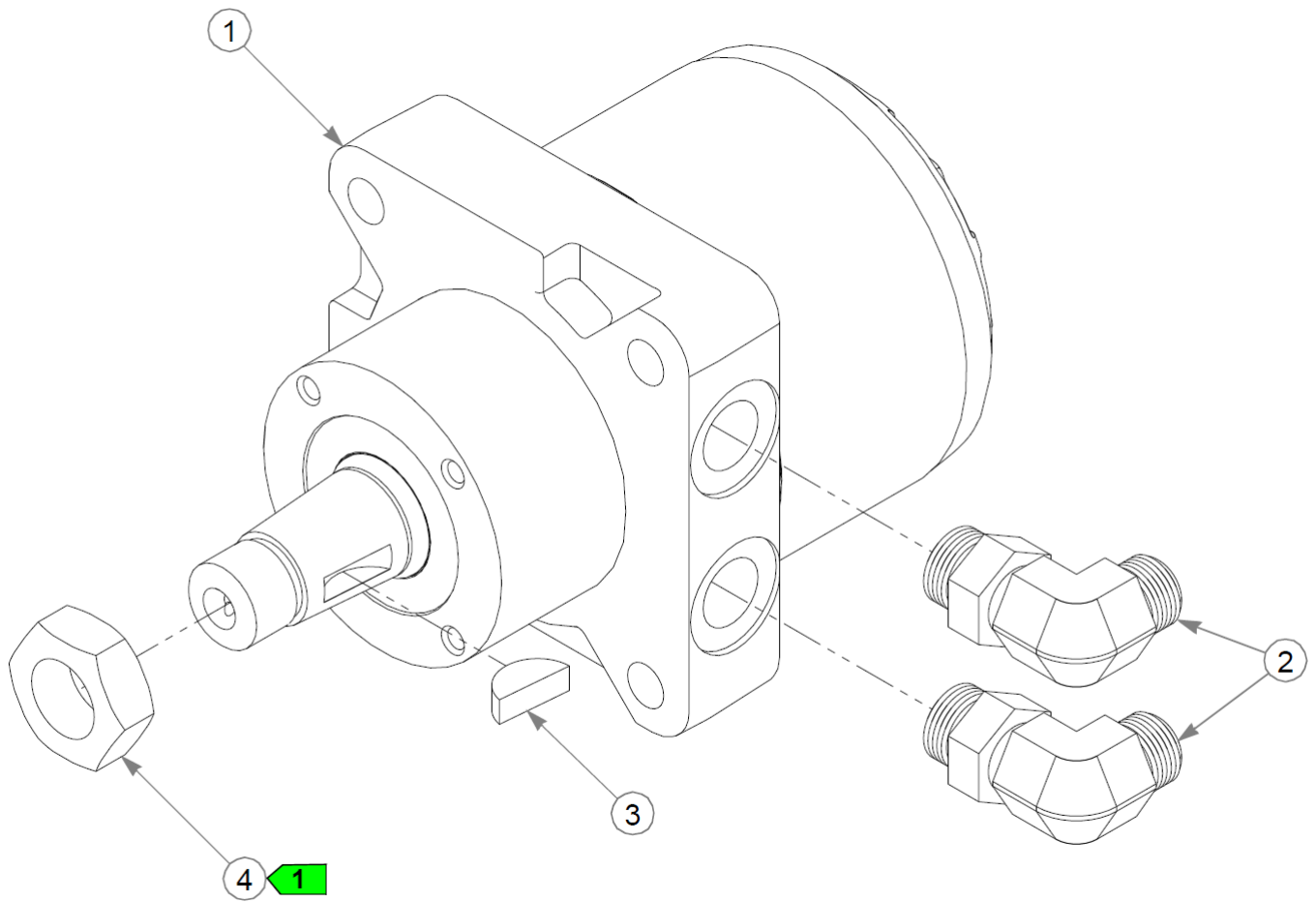
Élément	Numéro de pièce	Qté	Nom
1	606057	1	PUMP, H-G 12CC W/FAN-HH
2	781542	2	FTG, 90°-8MORB/-8MORFS
3	784108	1	FTG, 45°-6MORB/-6BT
4	787473	1	FTG, -6MORB/-6 BEAD





# Hydraulic Pump Service Parts

Élément	Numéro de pièce	Qté	Nom
1	606348	1	FAN SHROUD, 7"
2	606347	1	FAN KIT, 7"
3	606349	1	FAN MOUNT
4	606350	1	KIT, RTN, STD SCISSOR
5	780718	1	SEAL KIT, PG/PJ PUMPS

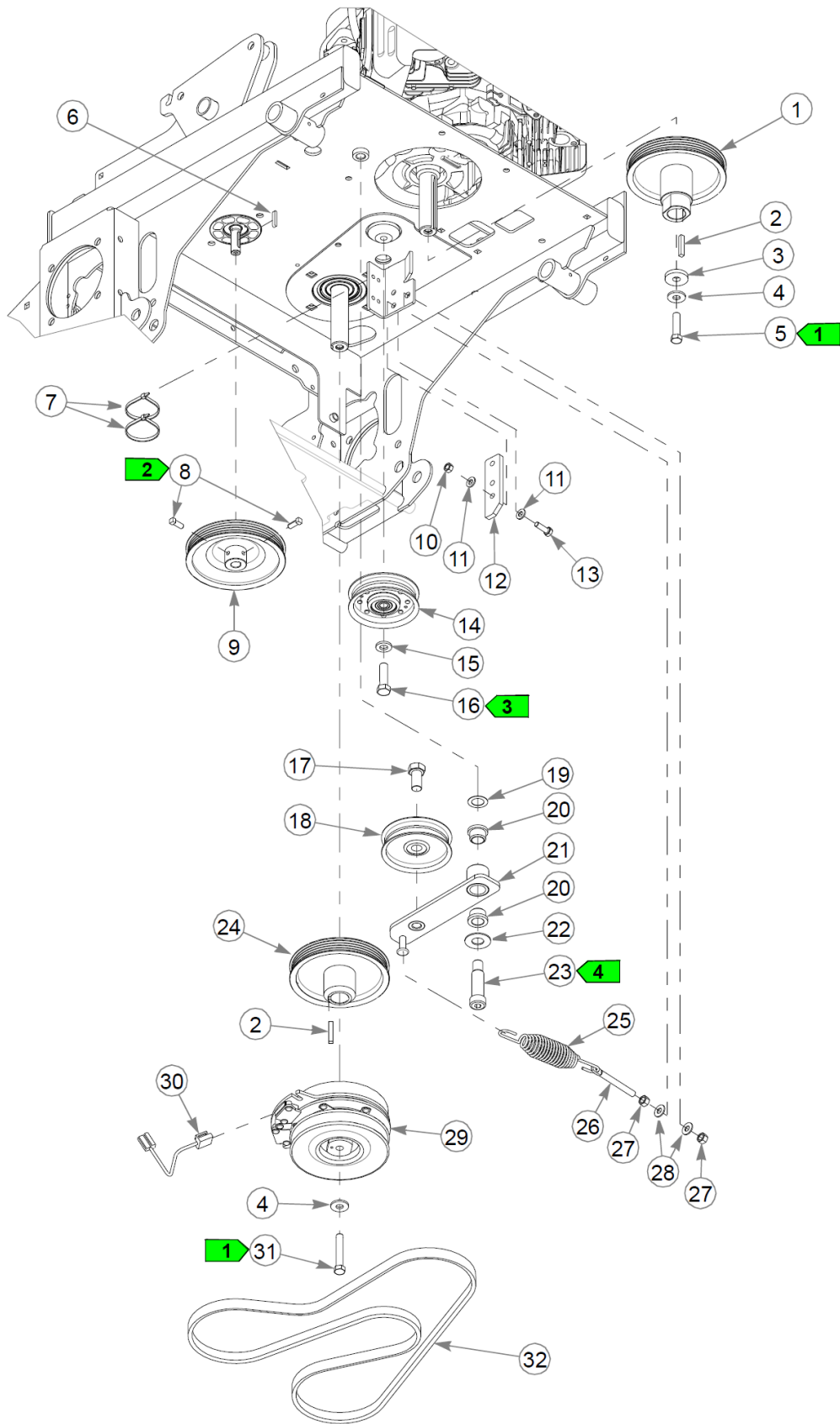


# Wheel Motor Assembly

Élément	Numéro de pièce	Qté	Nom
1	607859	1	MOTOR, TL0280
2	781526	2	FTG, 90°-10MORB/-8MORFS
3	064337	1	ROSS WOODRUFF KEY
4	065516	1	ROSS NUT

Comments for Page: Wheel Motor Assembly

1. Torque to 230 ft-lbs.



Pump Drive, Drive Belt & Clutch

Élément	Numéro de pièce	Qté	Nom
1	605850	1	PULLEY, 6.111"OP MICRO V
2	212076	2	KEY 1/4 SQ X 1.50 LG(FS)
3	606259	1	FW .485X1.46X.25 ZY
4	602680	2	FW .453X1.12X.12 HRD ZN
5	606175	1	CS .437-20X1.75 HXG5 P85
6	768127	1	KEY 5mm x30mm RADIUS EN
7	000331	2	WIRE TIE, SMALL/SHORT
8	083196	2	SS .312-18X0.750SQ
9	606031	1	PULLEY, 6.111"OP MICRO V
10	034272	2	NT .312-18HXG5
11	768523	4	FW 0.343SAE
12	113347	1	CLUTCH ANCHOR
13	036236	2	CS .312-18X1.000HXG5
14	606066	1	PULLEY, 4" FLAT IDLER
15	606256	1	FW .515X1.00X.13 ZN
16	017616	1	CS .500-13X1.750HXG5
17	781872	1	CS .625-11X1.250HXG5
18	601488	1	PULLEY, 4" FLAT IDLER
19	704791	1	FW .781X1.25X.02 ZN
20	781153	2	BUSHING, UHMW
21	122528	1	IDLER ARM, W/A
22	025296	1	FW .760X1.63X0.08 ZN
23	601084	1	SB .750X 2.000 SH.625-11
24	605854	1	PULLEY, 6.111"OP MICRO V
25	781302	1	IDLER SPRING
26	601486	1	EB, .375-16X3.00 FULTHD
27	054502	2	NT .375-16HXG5
28	767954	2	FW 0.379X.82X.06 HD ZN
29	606352K	1	CLUTCH KIT, 606352
30	791251	1	HARNESS, CLUTCH PIGTAIL
<p>Commentaires pour le numéro de pièce 791251</p> <p>Pigtail was updated with epoxy to hold the wires steady. The wire sheath was also updated to a more flexible material.</p>			
31	785659	1	CS .437-20X2.50 HXG5 P85
32	606371	1	DRIVE BELT

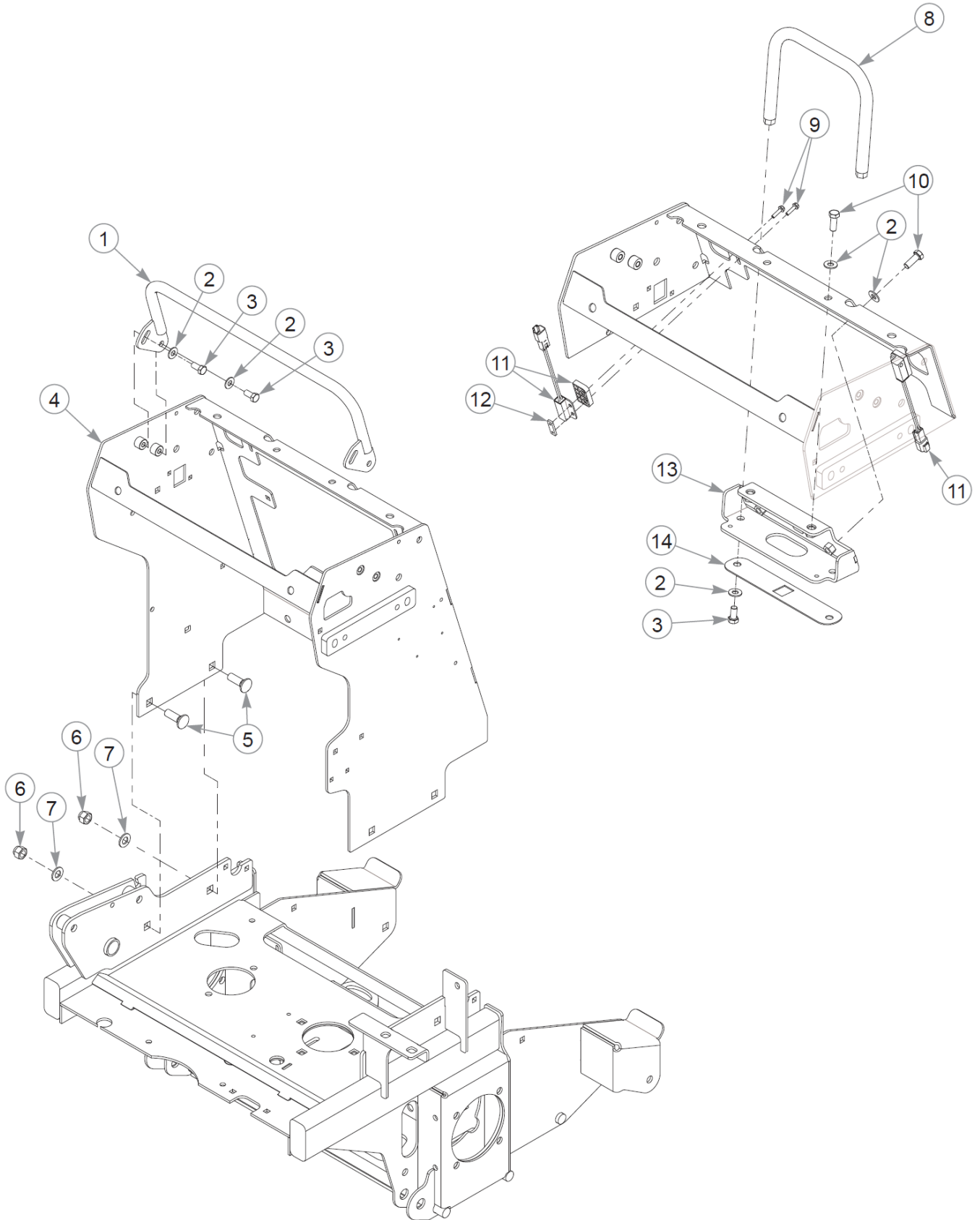
## Pump Drive, Drive Belt & Clutch

Comments for Page: Pump Drive, Drive Belt & Clutch

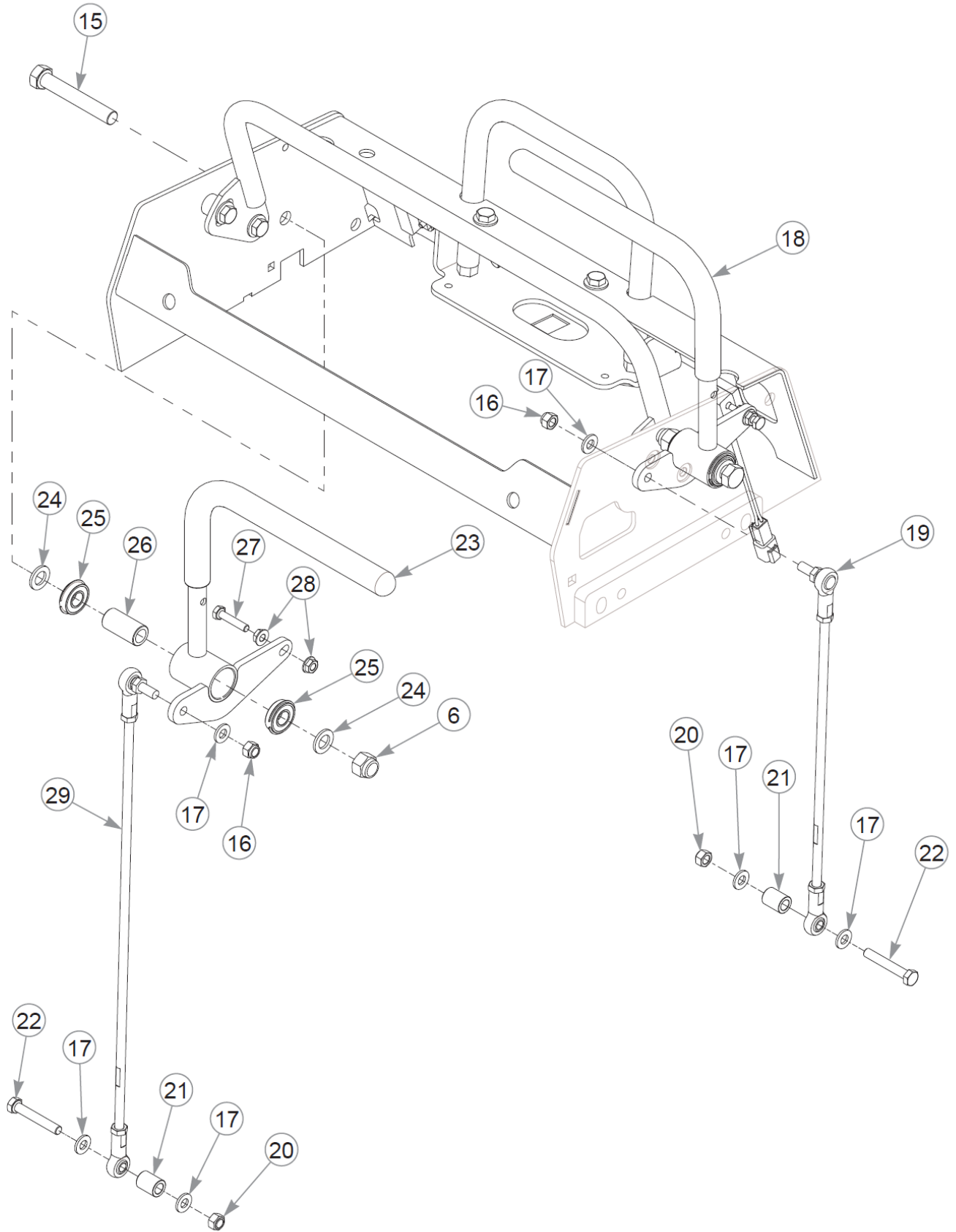
1. Torque to 45–48 ft-lbs. Replace (do not reuse) the cap screw if it is removed or loosened. Use only hand tools to install this fastener.
2. Torque to 12–15 ft-lbs.
3. Torque to 73 ft-lbs.
4. Torque to 100 ft-lbs. The idler arm must pivot freely.

Cette page intentionnellement laissée vierge



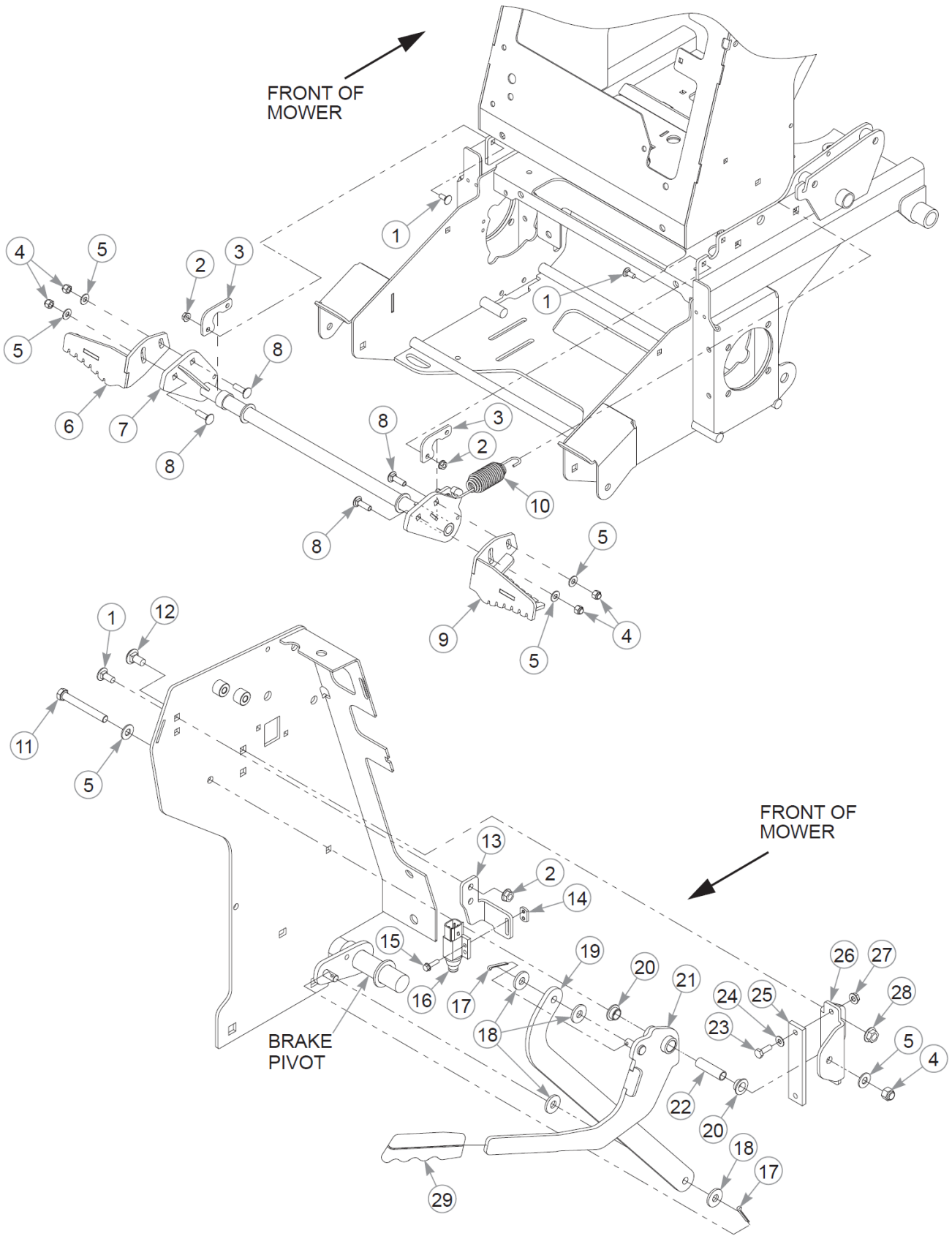


Cette page intentionnellement laissée vierge



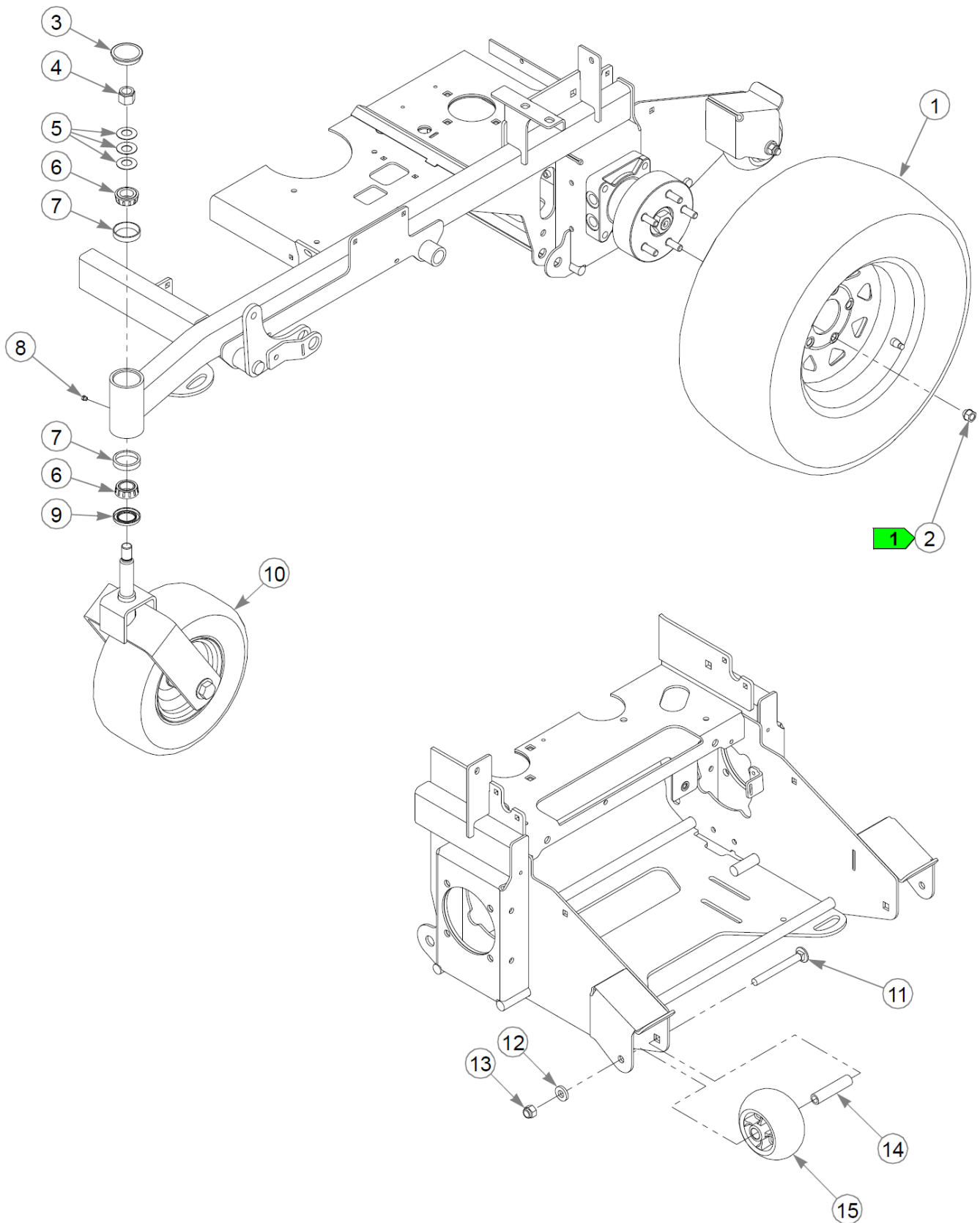
Élément	Numéro de pièce	Qté	Nom
1	127113-1	1	W/A, FWD STOP
2	767954	10	FW 0.379X.82X.06 HD ZN
3	055822	6	CS .375-16X0.75 HX G5 ZN
4	127206-1	1	TOWER W/A
5	028274	4	CB .500-13X 1.500 FULL
6	781567	6	NT .500-13NLG5
7	004168	4	FW .531x1.00x.090 ZN
8	127112-1	1	W/A, REAR STOP
9	063198	4	CS #10-24X0.750FLKG5
10	036244	4	CS .375-16X1.00 HX G5 ZN
11	605325	2	SWITCH, PROX
12	608293	2	NUT PLATE, 10-24
13	127203-1	1	W/A, HANDLE MOUNT
14	127276-1	1	PANEL, FUSE MOUNT
15	077859	2	CS .500-13X3.250HXG5
16	023655	2	NT 0.312-24 NL G8
17	768523	6	FW 0.343SAE
18	608315	1	HANDLE ASSY, LH
Not Shown	608314	1	GRIP, HANDLE
19	608317	1	PUMP ROD ASSEMBLY
20	058776	2	NT .312-18NLG5
21	606285	2	SPACER, .375X.625X.800
22	064345	2	CS .312-18X2.000HXG5
23	608316	1	HANDLE ASSY, RH
Not Shown	608314	1	GRIP, HANDLE
24	718288	4	FW .516X.88X.09 ZN
25	608254	4	BEARING
26	608294	2	SPACER, STEERING
27	603968	2	CS .250-20X1.25 HX FLTRD
28	016816	4	NT .250-20FLKG5
29	608318	1	PUMP ROD ASSEMBLY

# Brake



# Brake

Élément	Numéro de pièce	Qté	Nom
1	016253	6	CB .312-18X .750 FUL ZN
2	016832	6	NT .312-18FLKG5
3	127274-1	2	GUIDE, BRAKE PIVOT
4	086660	5	NT .375-16NLG8
5	767954	6	FW 0.379X.82X.06 HD ZN
6	127286-4	1	W/A, BRAKE CLEAT LH
7	127277-4	1	W/A, BRAKE PIVOT
8	603113	4	CB .375-16X1.250 G5 ZN
9	127285-4	1	W/A, BRAKE CLEAT RH
10	781302	1	IDLER SPRING
11	016444	1	CS .375-16X3.000HXG5
12	011320	2	CB .375-16X .750 STD ZN
13	127275-1	1	BRKT, BRAKE SWITCH
14	601822	1	NUT PLATE, .420 CENTERS
15	063198	2	CS #10-24X0.750FLKG5
16	602538	1	SWITCH PLUNGER, NC/NO
17	017244	2	CP .125DX1.000 LG HML Z
18	712919	4	FW 0.406X1.00X.12 HD ZN
19	127273-1	1	PULL LINK
20	768259	2	BUSHING,IGUS#0810 (FS)
21	127268-4	1	W/A, BRAKE HANDLE
22	608353	1	SLEEVE
23	055939	2	CS .250-20X0.75 HX G5 ZN
24	017079	2	FW .250SAE
25	608324	1	PAD, HANDLE STOP
26	127272-1	1	BRKT, HANDLE MOUNT
27	016816	2	NT .250-20FLKG5
28	016899	2	NT .375-16 FLKG5
29	604377	1	GRIP, 1/4 X 1.000 BLACK



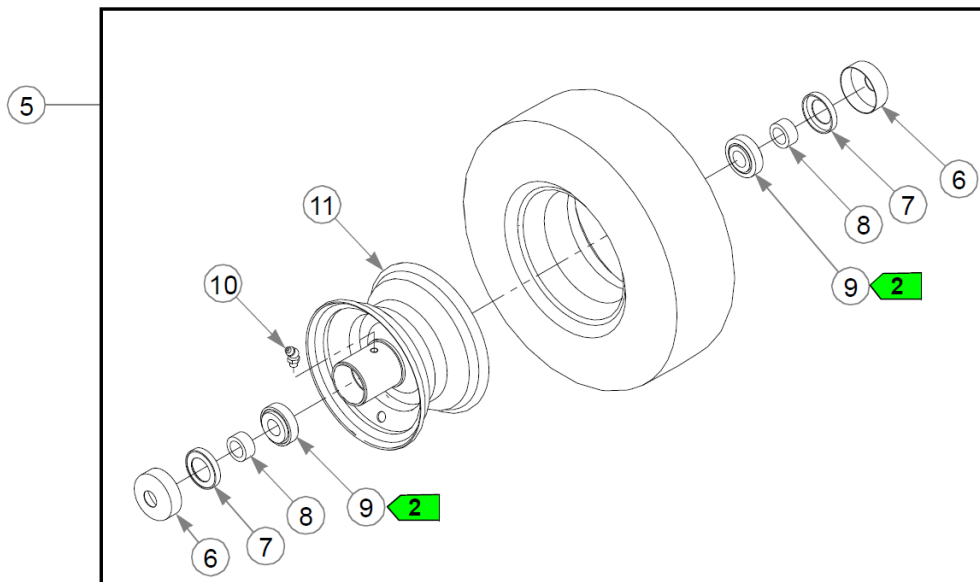
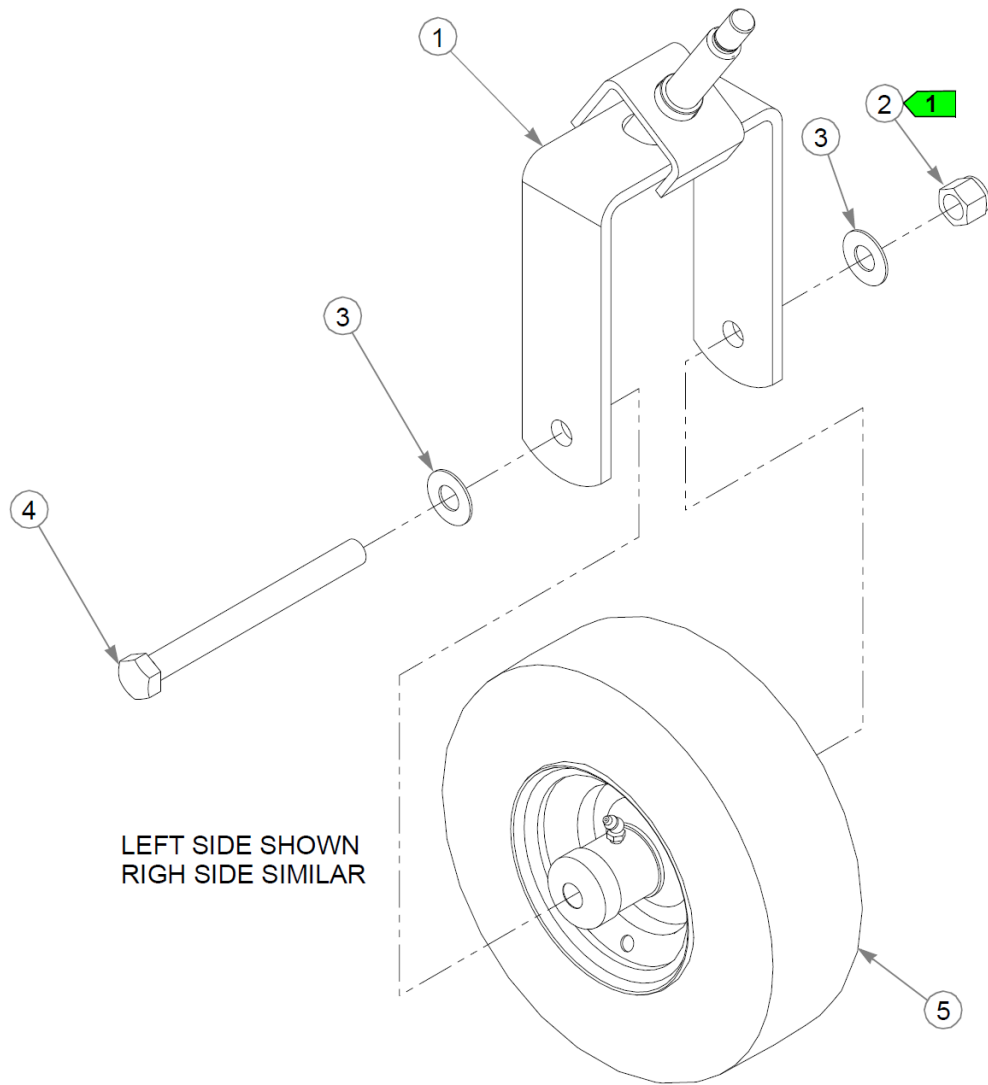
# Wheels & Tires

Élément	Numéro de pièce	Qté	Nom
1	606499	2	TIR/WHL 24X9.50-12 BLK
2	061077	10	WHEEL NUT
3	606711	2	DUST CAP
4	061101	2	NT .750-10 HX ZN NL GR B
5	606715	6	CW 0.766 X 1.50 X .093
6	606712	4	BEARING, TAPERED ROLLER
7	606713	4	RACE, TAPERED ROLLER
8	606817	2	GREASE PLUG
9	606714	2	SEAL, 1.25 X 1.98
10		2	REFER TO "FRONT WHEEL ASSEMBLY"
11	602339	2	CB .50-13 X 4.50 STD ZN
12	767962	2	FW .531 x 1.063 x .175
13	781567	2	NT .500-13NLG5
14	602345	2	SPACER, ANTI-SCALP 3.22
15	602263	2	WHEEL, ANTI-SCALP

Comments for Page: Wheels & Tires

1. Torque to 65–75 ft-lbs.



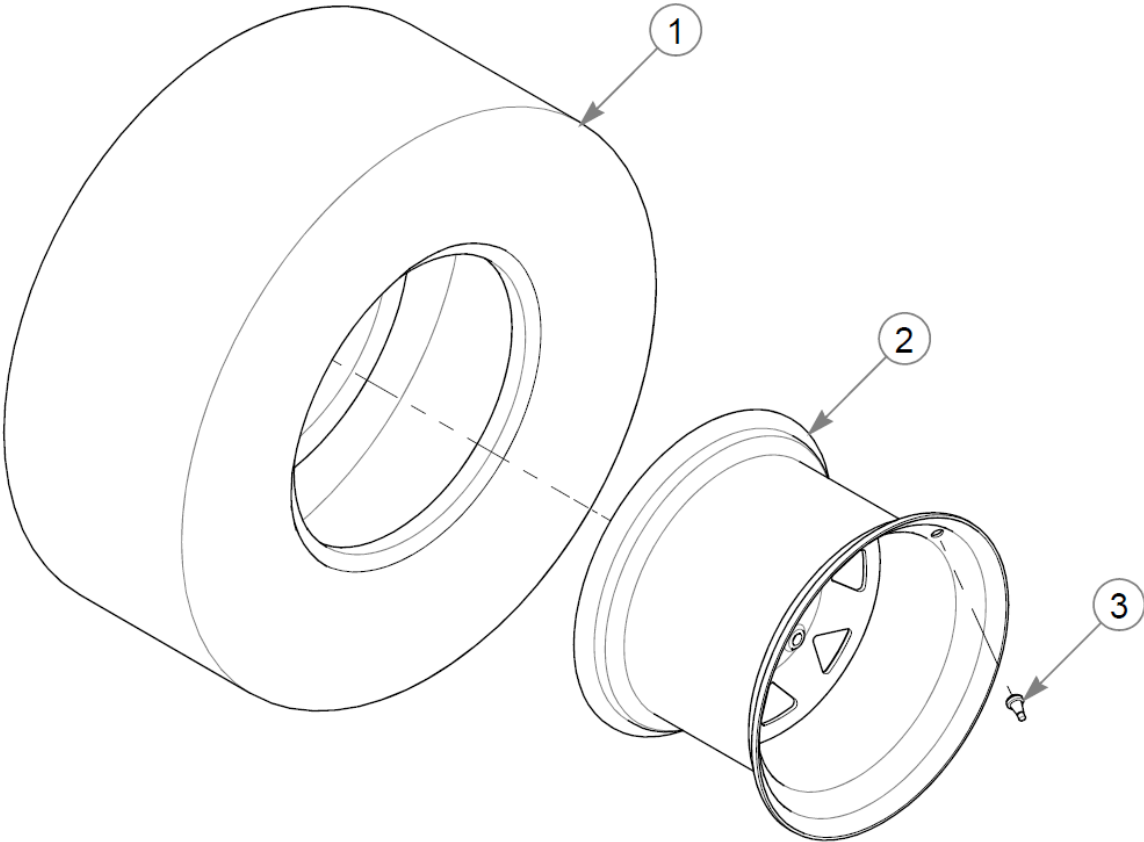


# Front Wheel Assembly

Élément	Numéro de pièce	Qté	Nom
1	126408-1	1	W/A, CASTER FORK
2	061101	1	NT .750-10 HX ZN NL GR B
3	025296	2	FW .760X1.63X0.08 ZN
4	786731	1	CS .750-10X8.000HXG5
5	606743	1	TIR/WHL 13X5.00-6 BLK
6	606815	2	DUST CAP, 0.752 ID
7	606780	2	SEAL
8	606778	2	SPACER, 0.531
9	606753	2	BEARING, TAPERED ROLLER
10	606126	1	GREASE FITTING, M8X1.0
11	606750	1	WHL 6X3.25 BLK

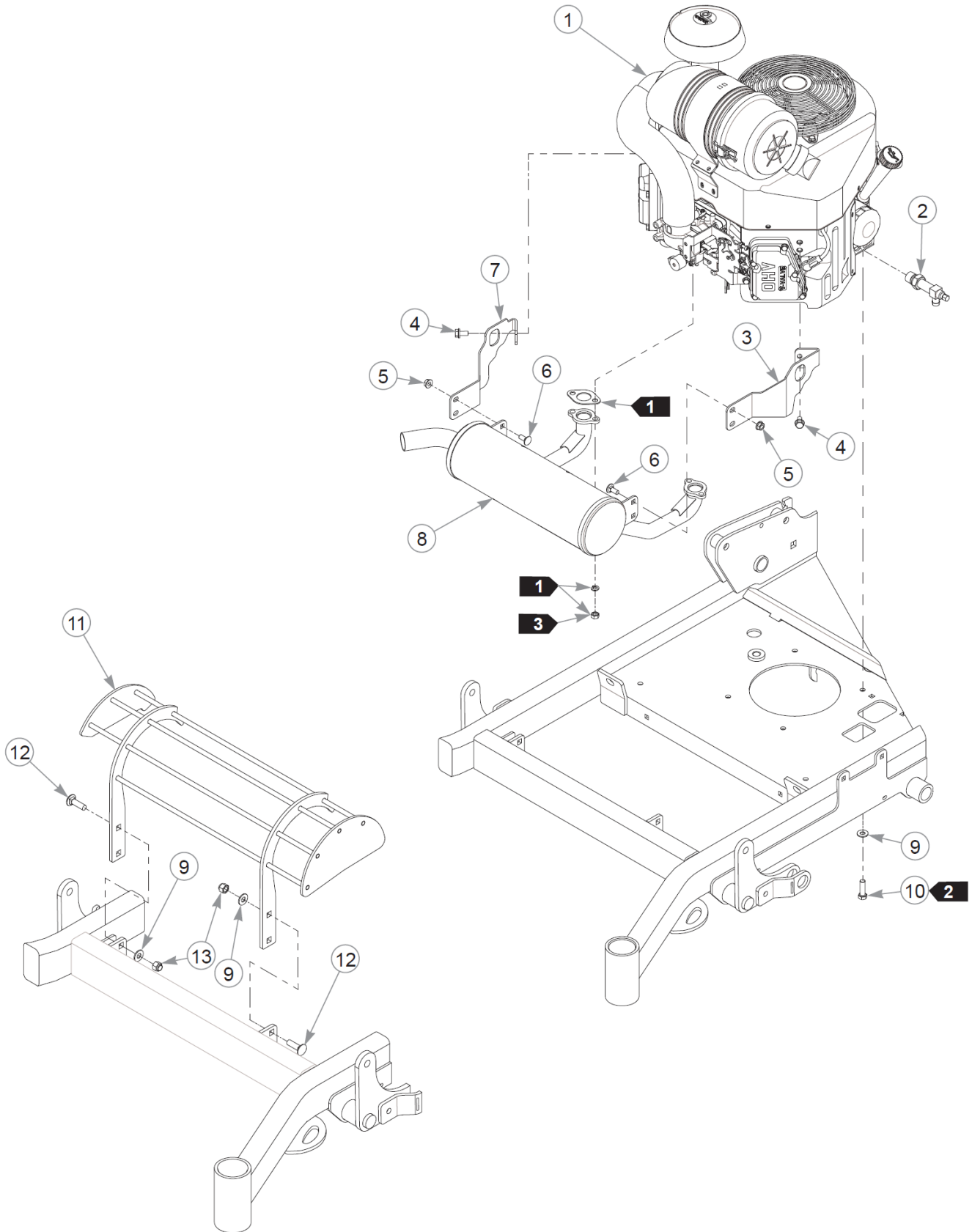
Comments for Page: Front Wheel Assembly

1. Tighten, then back off the nut until the wheel spins freely.
2. Refer to the General Service Manual for wheel bearing service procedures.
3. 606750 includes items 6–10.

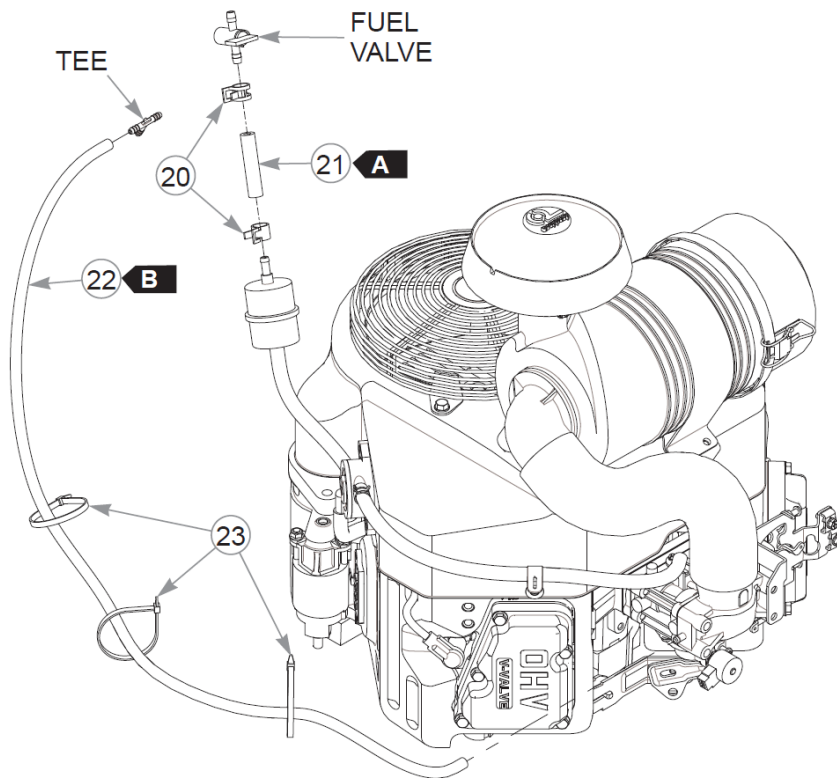
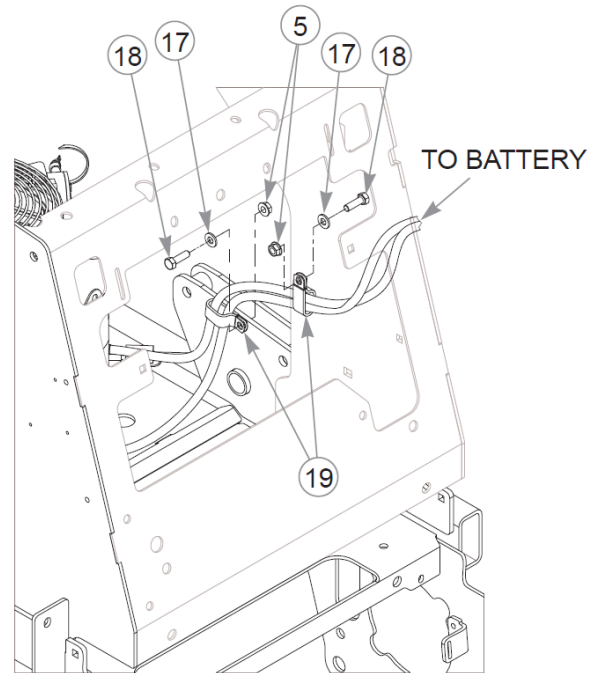
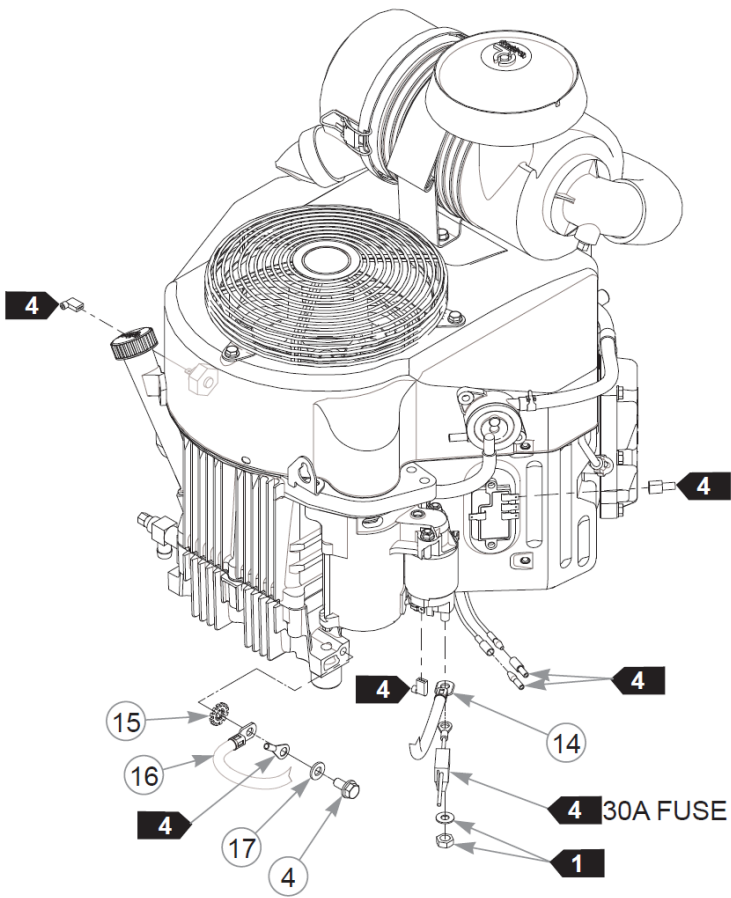


## Drive Wheel Assembly

Élément	Numéro de pièce	Qté	Nom
1	782284	1	TIR 24X9.50-12 B4R LTFT
2	606500	1	WHL 12X7.00 5X4.5 BLK
3	019521	1	TIRE VALVE TR-412 GOODY



Cette page intentionnellement laissée vierge



Élément	Numéro de pièce	Qté	Nom
1		1	KAWASAKI FX691V ENGINE
2	796524	1	VALVE,OIL DRAIN M20x2.5
3	122340	1	STAY, MUFFLER
4	720516	5	CS M8-1.25X16HX FL10.9
5	016832	6	NT .312-18FLKG5
6	016253	4	CB .312-18X .750 FUL ZN
7	122341	1	STAY, MUFFLER
8	606043	1	MUFFLER, FX730V
9	767954	8	FW 0.379X.82X.06 HD ZN
10	602580	4	CS .375-16X1.25HXG8ZYP85
11	126972-3	1	MUFFLER GUARD W/A
12	603113	4	CB .375-16X1.250 G5 ZN
13	086660	4	NT .375-16NLG8
14	744276	1	BATTERY CABLE POSITIVE
15	029876	1	LW .312 INTEXT ZN
16	744284	1	BATTERY CABLE NEGATIVE
17	768523	3	FW 0.343SAE
18	036236	2	CS .312-18X1.000HXG5
19	043646	2	CLAMP, CUSHIONED DOUBLE
20	000323	2	CLIP, HOSE CLAMP
21	015818	2"	FUEL LINE, 1/4"
<p>Commentaires pour le numéro de pièce 015818</p> <p>Sold by the foot.</p>			
22	603326	36"	VAPOR LINE, 3/16"
<p>Commentaires pour le numéro de pièce 603326</p> <p>Sold by the foot.</p>			
23	000331	3	WIRE TIE, SMALL/SHORT

Comments for Page: Engine & Muffler (Multi-Page)

1. Supplied with the engine.
2. Torque to 12 ft-lbs plus 60° rotation of the cap screw head. Replace (do not reuse) the cap screw if it is removed or loosened. Use only hand tools to install this fastener.
3. Torque to 17 ft-lbs.
4. Part of the wire harness.

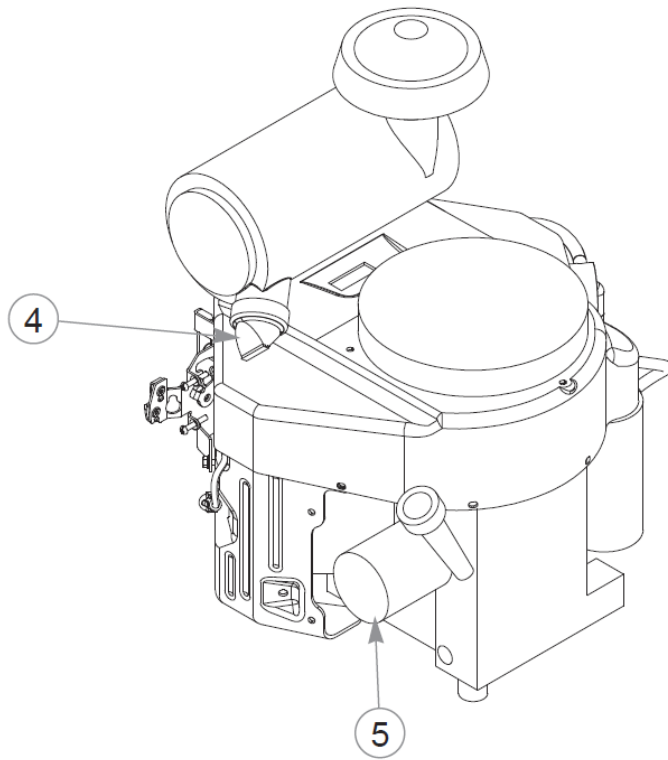
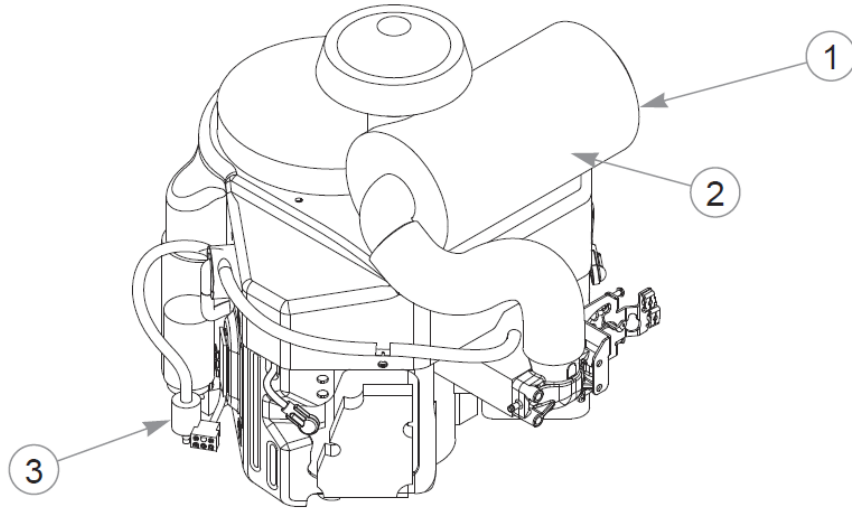


### FUEL & VAPOR LINE LENGTHS

A: 2" VALVE TO ENGINE (FUEL)

B: 36" TEE TO ENGINE (VAPOR)

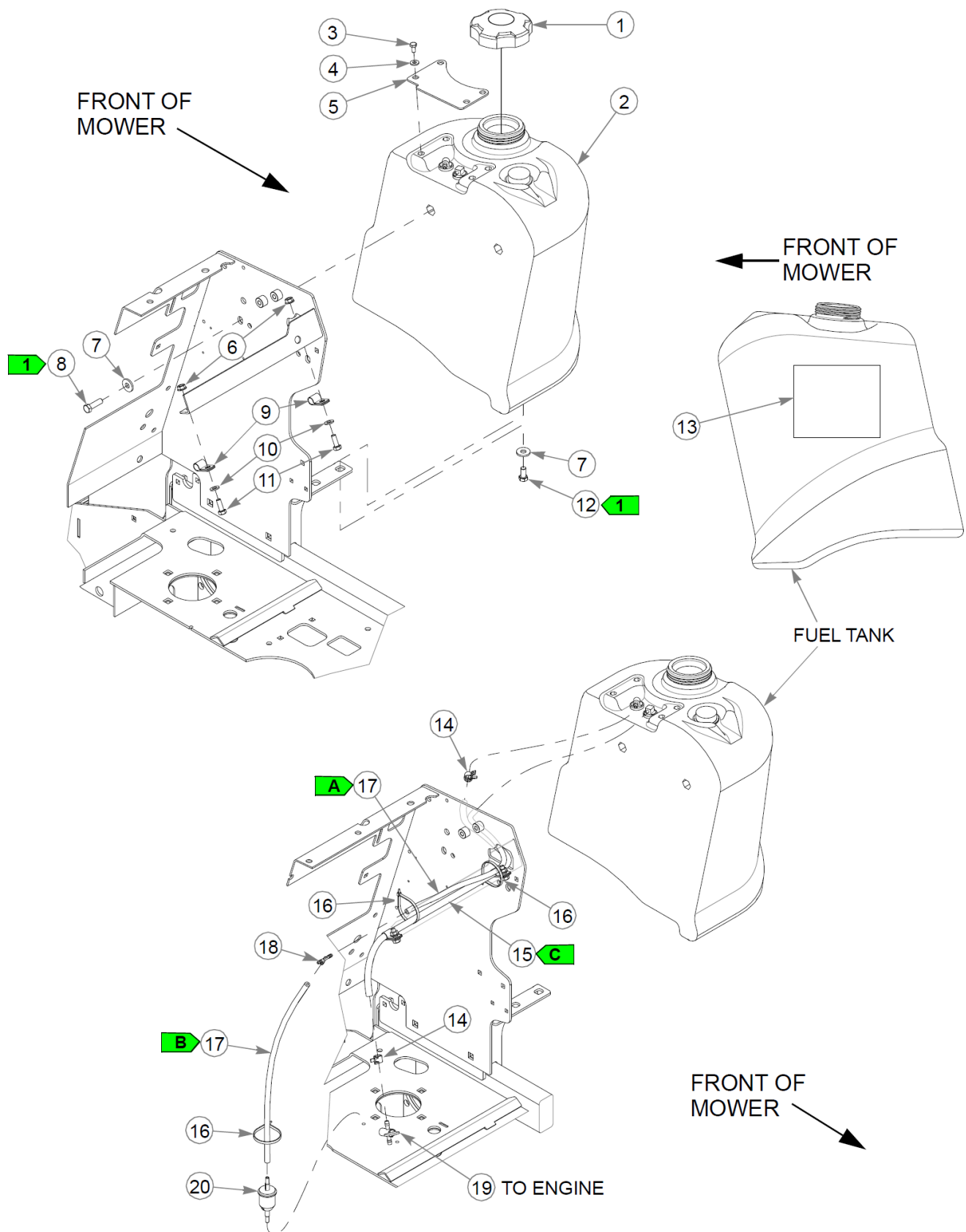
Cette page intentionnellement laissée vierge



Élément	Numéro de pièce	Qté	Nom
1	785261	1	AIR FILTER - MAIN
2	785279	1	AIR FILTER - SAFETY
3	068478	1	FUEL FILTER - IN LINE
4	763318	1	VALVE, VACUATOR
5	602581	1	ENGINE OIL FILTER

Comments for Page: Engine Service Parts - FX691V

1. 602581 is used on FX691V & FX730V engines.
2. 603138 is used on FX850V engine.



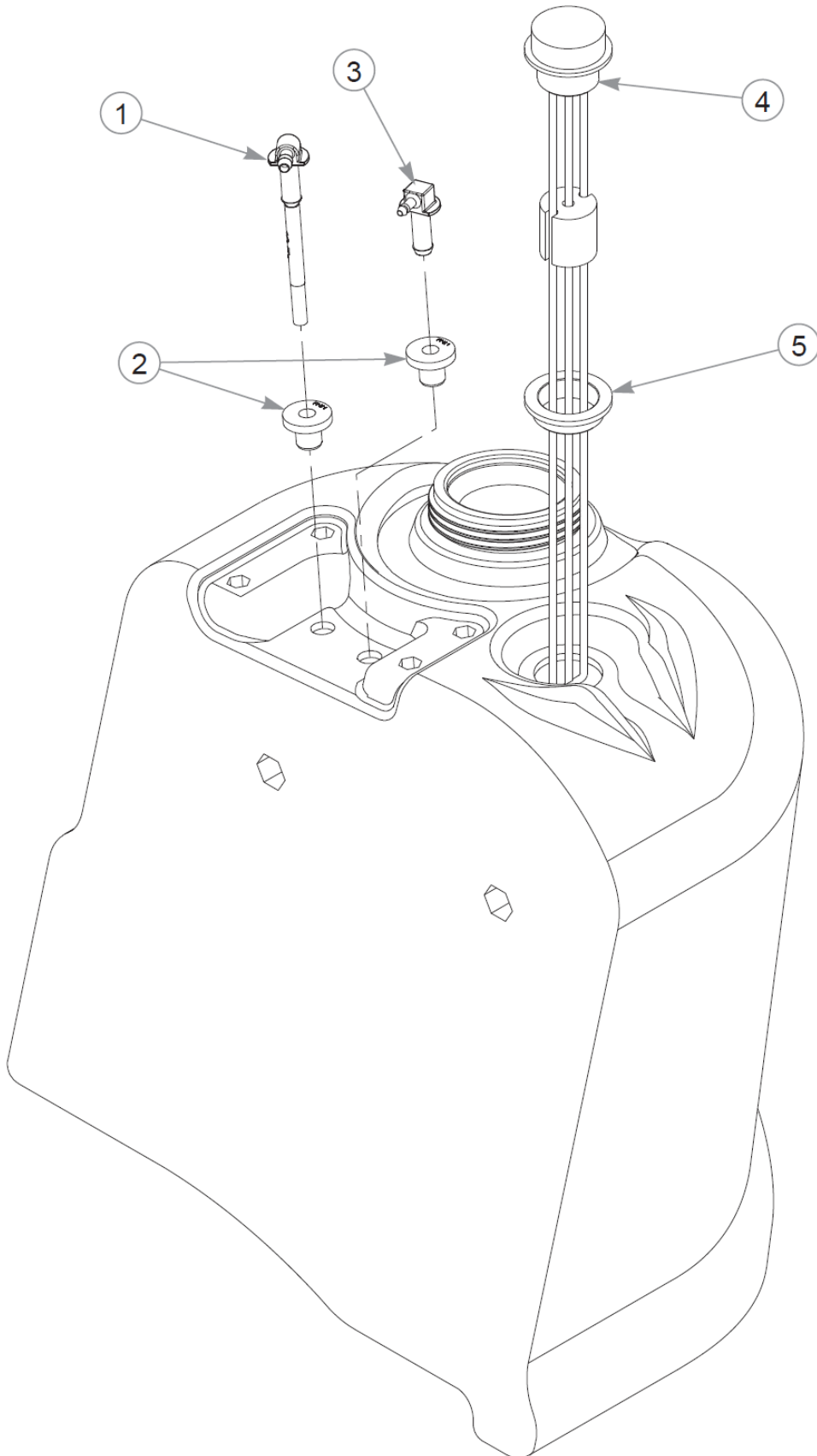
Élément	Numéro de pièce	Qté	Nom
1	603807	1	CAP, 3.5" RATCHETING GAS
2	605908	1	FUEL TANK
3	055947	4	CS .250-20X0.50 HX G5 ZN
4	768515	4	FW 0.281SAE
5	122115	1	FUEL TANK COVER PLATE
6	016832	2	NT .312-18FLKG5
7	712919	6	FW 0.406X1.00X.12 HD ZN
8	052860	2	CS .375-16X1.25 HX G5 ZN
9	000398	2	CLAMP
10	768523	2	FW 0.343SAE
11	064014	2	CS .312-18X0.875HXG5
12	055822	4	CS .375-16X0.75 HX G5 ZN
13	606052	1	DECAL, TANK
14	000323	2	CLIP, HOSE CLAMP
15	015818	26"	FUEL LINE, 1/4"
<p>Commentaires pour le numéro de pièce 015818</p> <p>Sold by the foot.</p>			
16	000331	3	WIRE TIE, SMALL/SHORT
17	603326	36"	VAPOR LINE, 3/16"
<p>Commentaires pour le numéro de pièce 603326</p> <p>Sold by the foot.</p>			
18	605690	1	TEE, 3/16" PLASTIC
19	605601	1	FUEL SHUT-OFF VALVE
20	604323	1	VAPOR SYSTEM FILTER

Comments for Page: Fuel System

1. Torque to 16 ft-lbs.

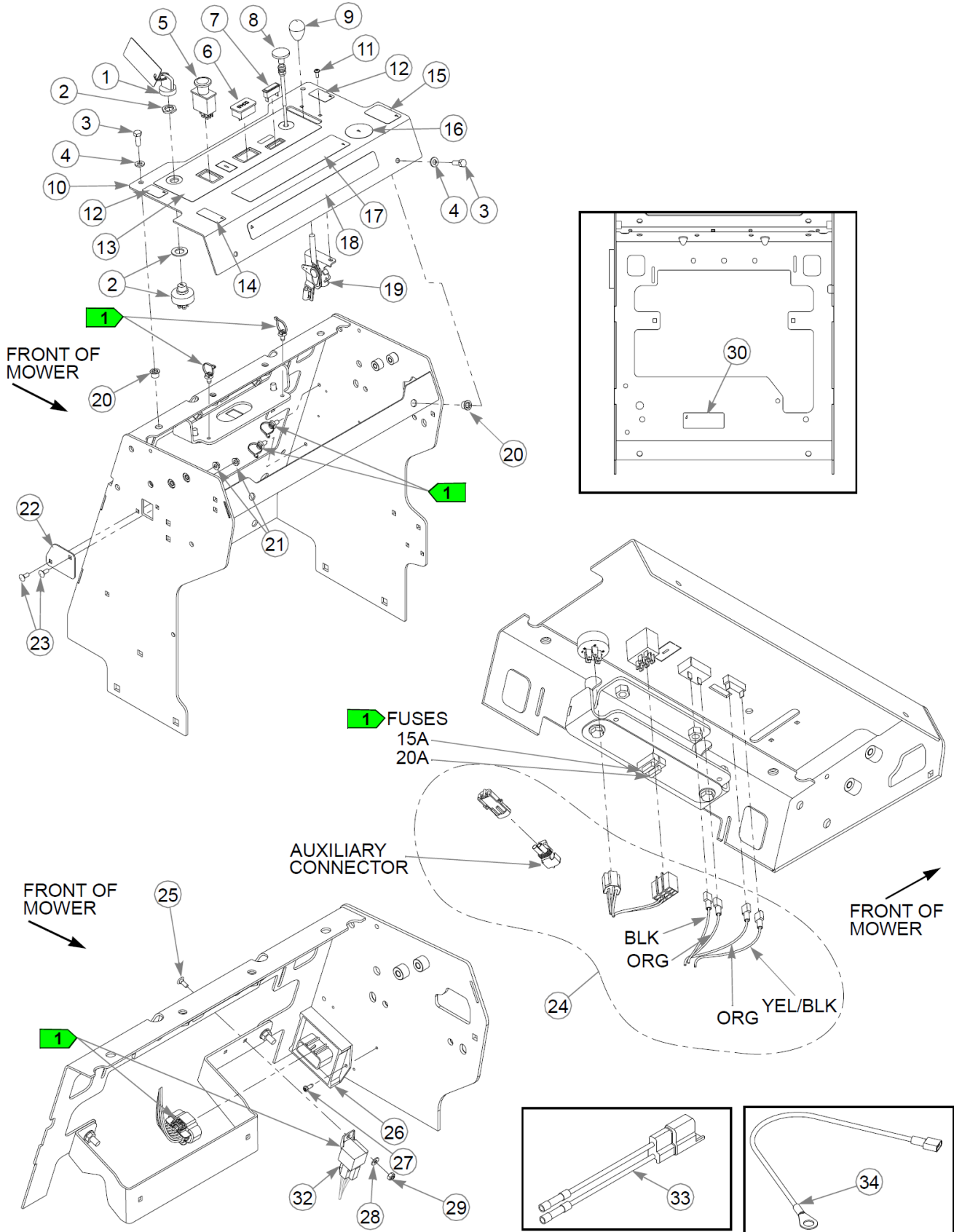
FUEL & VAPOR LINE LENGTHS

- A: 16" TANK TO TEE (VAPOR)
- B: 20" TEE TO FILTER (VAPOR)
- C: 26" TANK TO VALVE (FUEL)



Élément	Numéro de pièce	Qté	Nom
Not Shown	605908	1	FUEL TANK
1	605156K	1	SUCTION HOSE SVC KIT
2	604200K	2	GROMMET SVC KIT
3	604287K	1	VENT FITTING SVC KIT
4	606055K	1	FUEL GAUGE SVC KIT
5	603838K	1	SVC KIT, TANK GROMMET





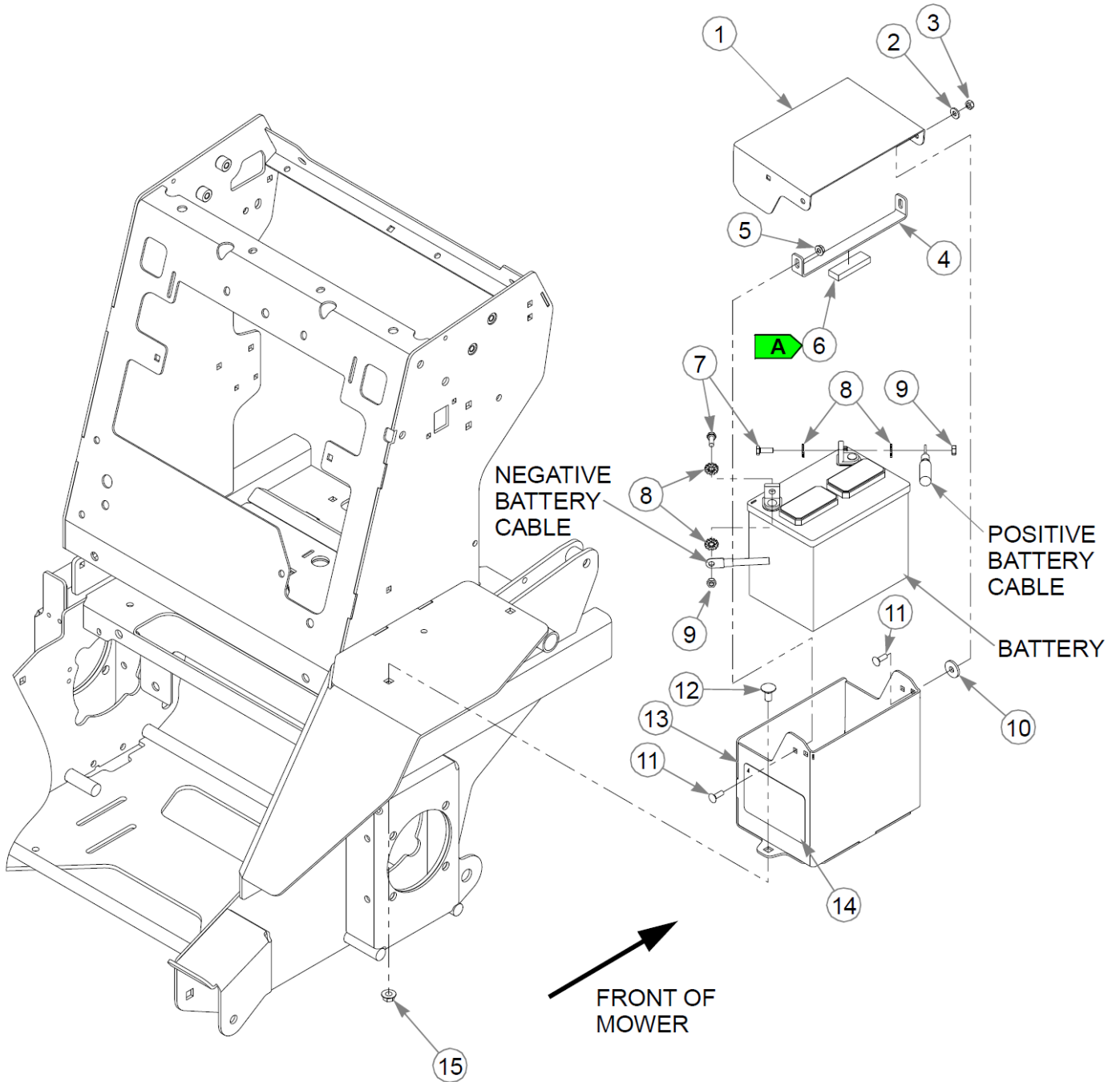
Élément	Numéro de pièce	Qté	Nom
1	785808	1	KEY ASSEMBLY
2	045898	1	IGNITION SWITCH
3	064014	4	CS .312-18X0.875HXG5
4	768523	4	FW 0.343SAE
5	776476	1	SWITCH, PTO 6201-321
6	769166	1	HOUR METER
7	712257	1	INDICATOR LIGHT, RED(FS)
8	601097	1	CABLE, CHOKE
9	603523	1	KNOB
10	606851	2	CS 10-24X .500 PH SH ZN
11	555887	1	SVC, INSTR PANEL
12	606218	2	DECAL, STEERING
13	608307	1	DECAL, INST PANEL, CARB
14	607714	1	DECAL, PARK BRAKE
15	605688	1	DECAL, LEVEL FUEL FILL
16	608127	1	DECAL, USA, F&D
17	606215	1	DECAL, SAFE OPERATION
18	602407	1	DECAL, HUSTLER ID
19	608142	1	THROTTLE CABLE
20	808485	4	RIVET NUT, 5/16-18 THRE
21	016816	2	NT .250-20FLKG5
22	127297-1	1	COVER, SWITCH HOLE
23	601503	2	CB .250-20 X .625 ZN
24	608344	1	WIRE HARNESS
25	601098	1	CB 10-24 X .500 ZYNC
26	607545	1	CONTROLLER, STANDON
27	605225	2	CS #8-32 PH TRX
28	704932	1	FW 0.219X.50X.05 ZN
29	059832	1	NT #10-24 HX NL ZN
30	601058	1	DECAL, HOT/SYN HYDRO OIL
31	601053	1	RELAY, SEALED W/BACKET
32	114052	1	KIT, CLUTCH CONN. REP.
33	604430	1	WIRE HARNESS
34	604430	1	WIRE HARNESS

Comments for Page: Instrument Panel &amp; Wire Harness

1. Part of the wire harness.
2. The instrument panel includes the decal.
3. The sealed relay includes a bracket.

Cette page intentionnellement laissée vierge

# Battery



# Battery

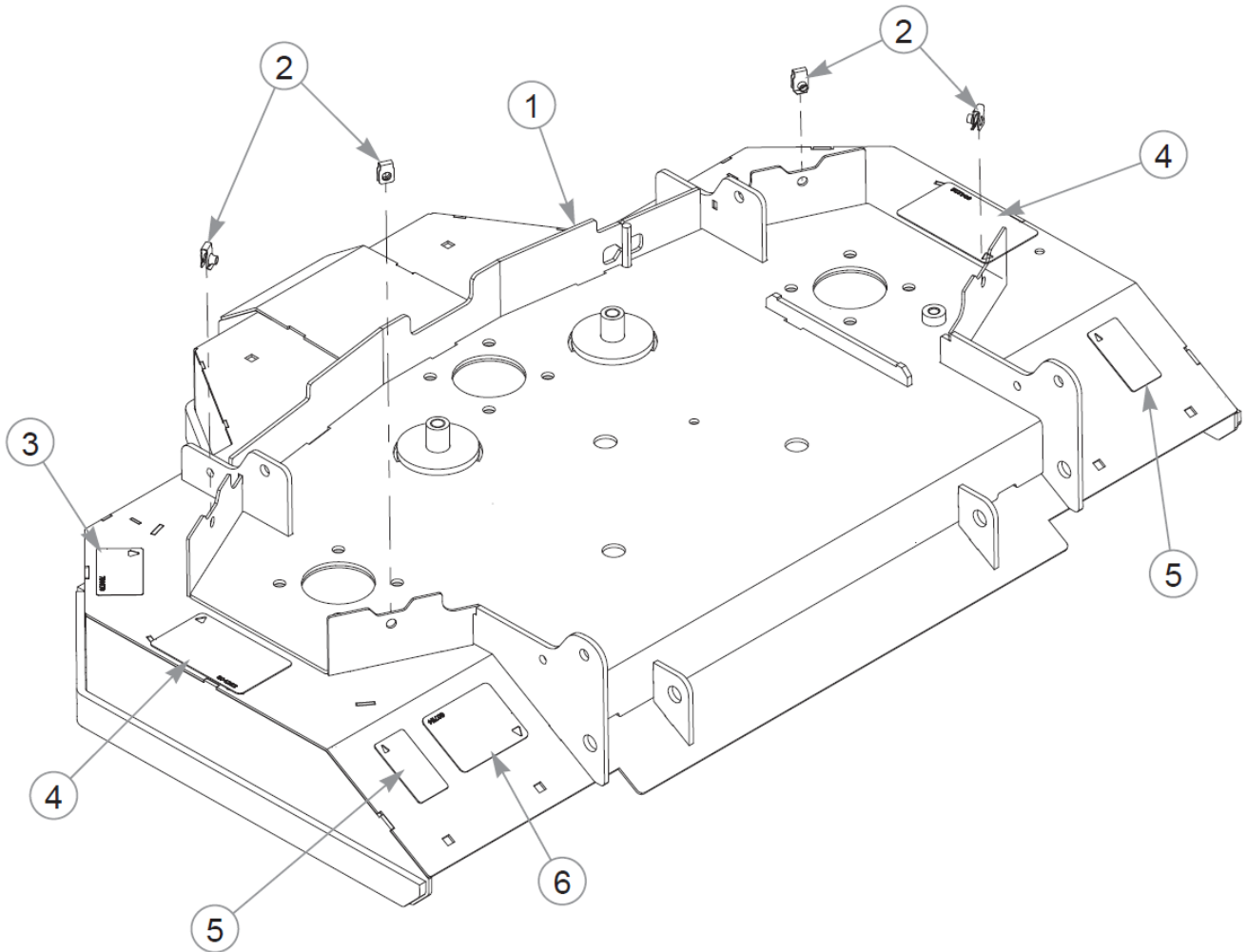
Élément	Numéro de pièce	Qté	Nom
1	127199-1	1	COVER, BATTERY
2	768515	2	FW 0.281SAE
3	068551	2	NT .250-20 HXZY NL
4	127198-1	1	STRAP, BATTERY
5	016816	2	NT .250-20FLKG5
6	713198	2.5"	SEAL 3/8x3/4 SOLD BY FT
7	055939	2	CS .250-20X0.75 HX G5 ZN
8	029868	4	LW .250 INTEXT ZN
9	024927	2	NT .250-20HXG5
10	712927	2	FW 0.344X1.00X.12 HD ZN
11	794784	4	CB .250-20 X .75 FUL ZN
12	011320	2	CB .375-16X .750 STD ZN
13	555891	1	SVC, BATTERY BOX
14	601815	1	DECAL, BATTERY WARNINGS
15	016899	2	NT .375-16 FLKG5
16	000331	1	WIRE TIE, SMALL/SHORT

Comments for Page: Battery

1. When performing service on the mower, disconnect the negative battery cable (black) and do not reconnect it to the battery until ready to start the engine.

SEAL LENGTH

A: 2.5"

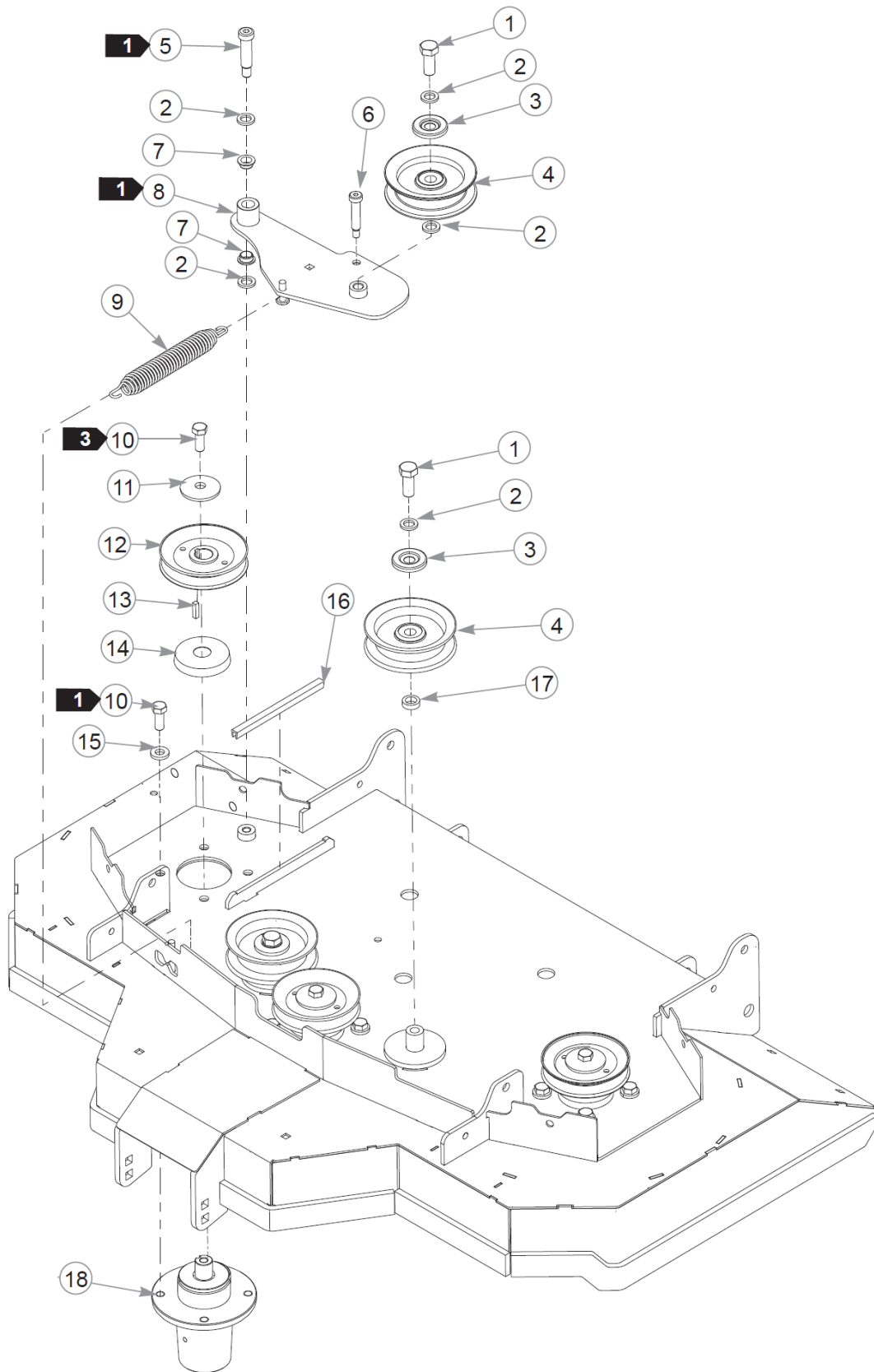


Élément	Numéro de pièce	Qté	Nom
1	555858	1	SVC, DECK DECAL 48" R
2	601069	4	CN .312-18x.200 MAX THK
3	793976	1	DECAL,48"DECK ID
4	604222	2	DECAL, DANGER / OBJECTS
5	603391	2	DECAL, RUBBER FLAP
6	607114	1	DECAL, BELT ROUTING

Comments for Page: Service Deck

1. The deck includes the decals.



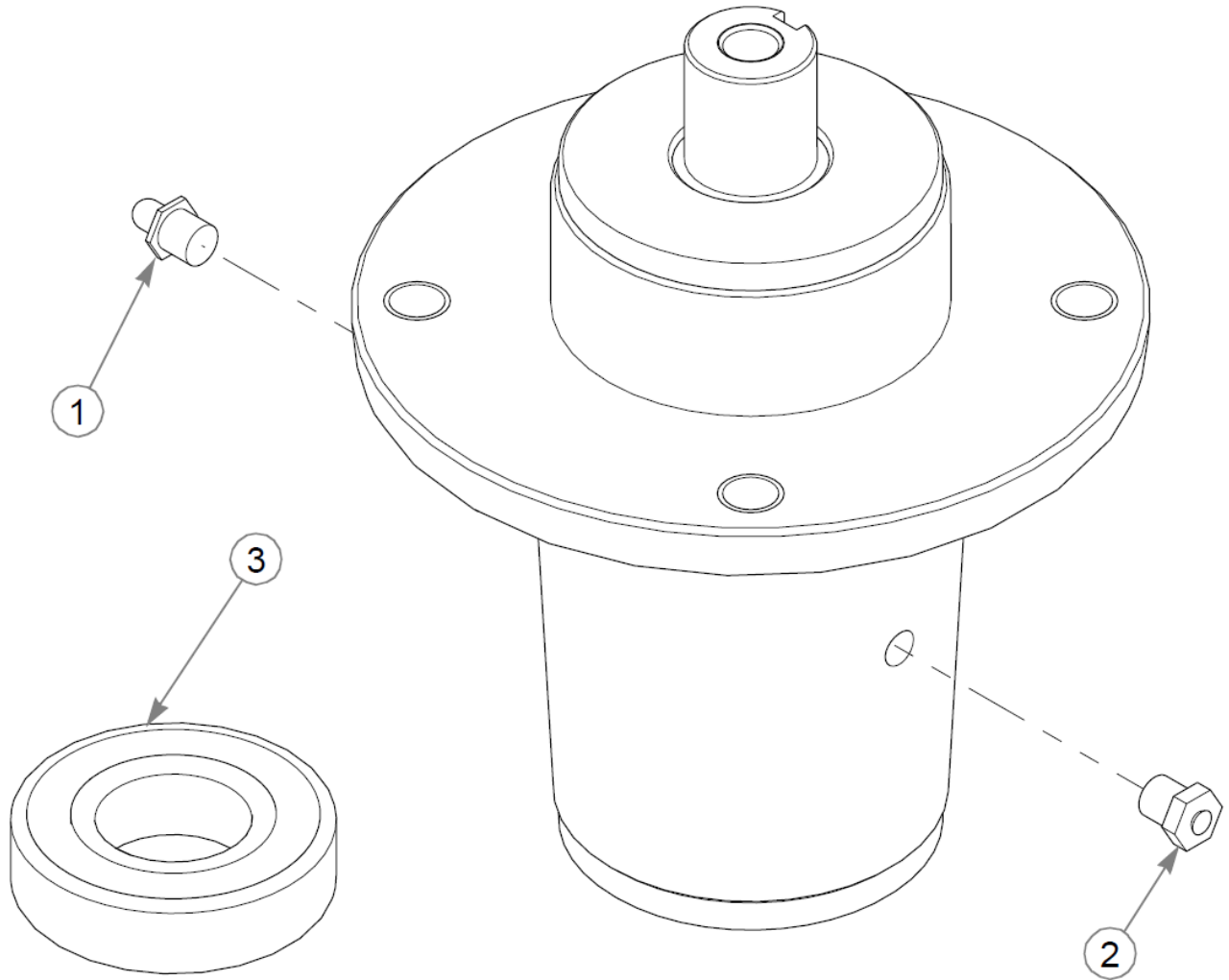


# Deck Pulleys & Spindles

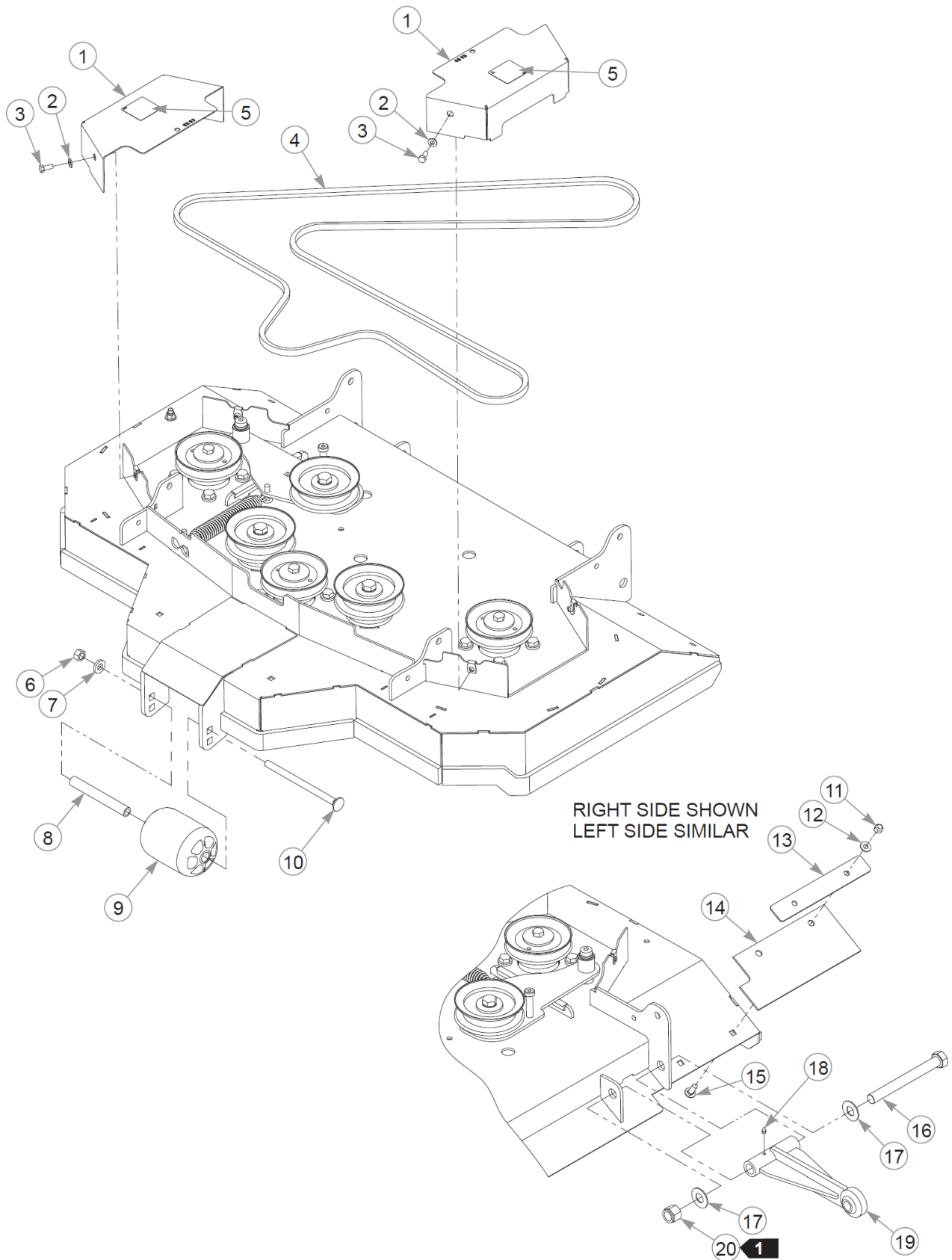
Élément	Numéro de pièce	Qté	Nom
1	794446	3	CS .625-11X1.500HXG5
2	028118	6	FW 0.625X1.00X.13 ZN
3	603057	3	DUST SHIELD W/OFFSET
4	603784	3	IDLER, FLAT 4.0" DEEP
5	606149	1	SB .625 X 2.00 SH.50-13
6	606386	1	SB 0.500 X 2.000
7	602539	2	BUSHING, .625 I.D.
8	124742-4	1	IDLER ARM W/A
9	607616	1	SPRING, DECK IDLER
10	705954	15	CS .500-13X1.25 HX G5 ZN
11	752386	3	CW .505 X 1.625 X .140
12	602842	3	PULLEY, DRIVE 5.187 OP
13	212472	3	KEY 1/4 SQ X 1.00 LG(FS)
14	607409-4	3	DUST SHIELD
15	767962	12	FW .531 x 1.063 x .175
16	606351	1	J-LEG, UHMW, .25"
17	600296	2	SPACER, DECK IDLER
18	607407	3	SPINDLE ASSY, DUCTILE

Comments for Page: Deck Pulleys & Spindles

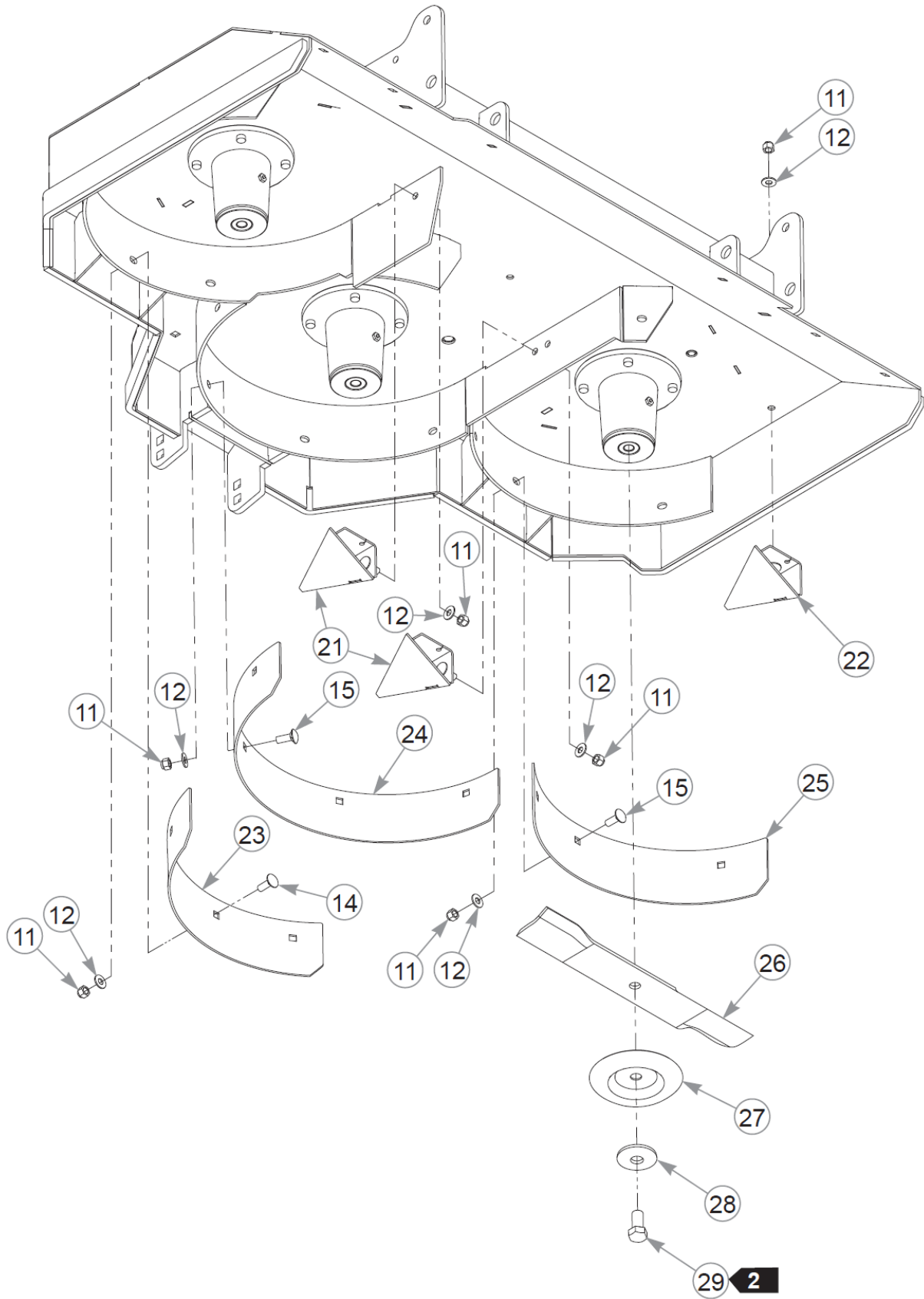
1. Torque to 91–99 N•m.
2. Do not torque; the idler arm must pivot freely.



Élément	Numéro de pièce	Qté	Nom
1	607477	1	GREASE ZERK
2	607478	1	RELIEF FITTING
3	607955	2	BEARING



Cette page intentionnellement laissée vierge

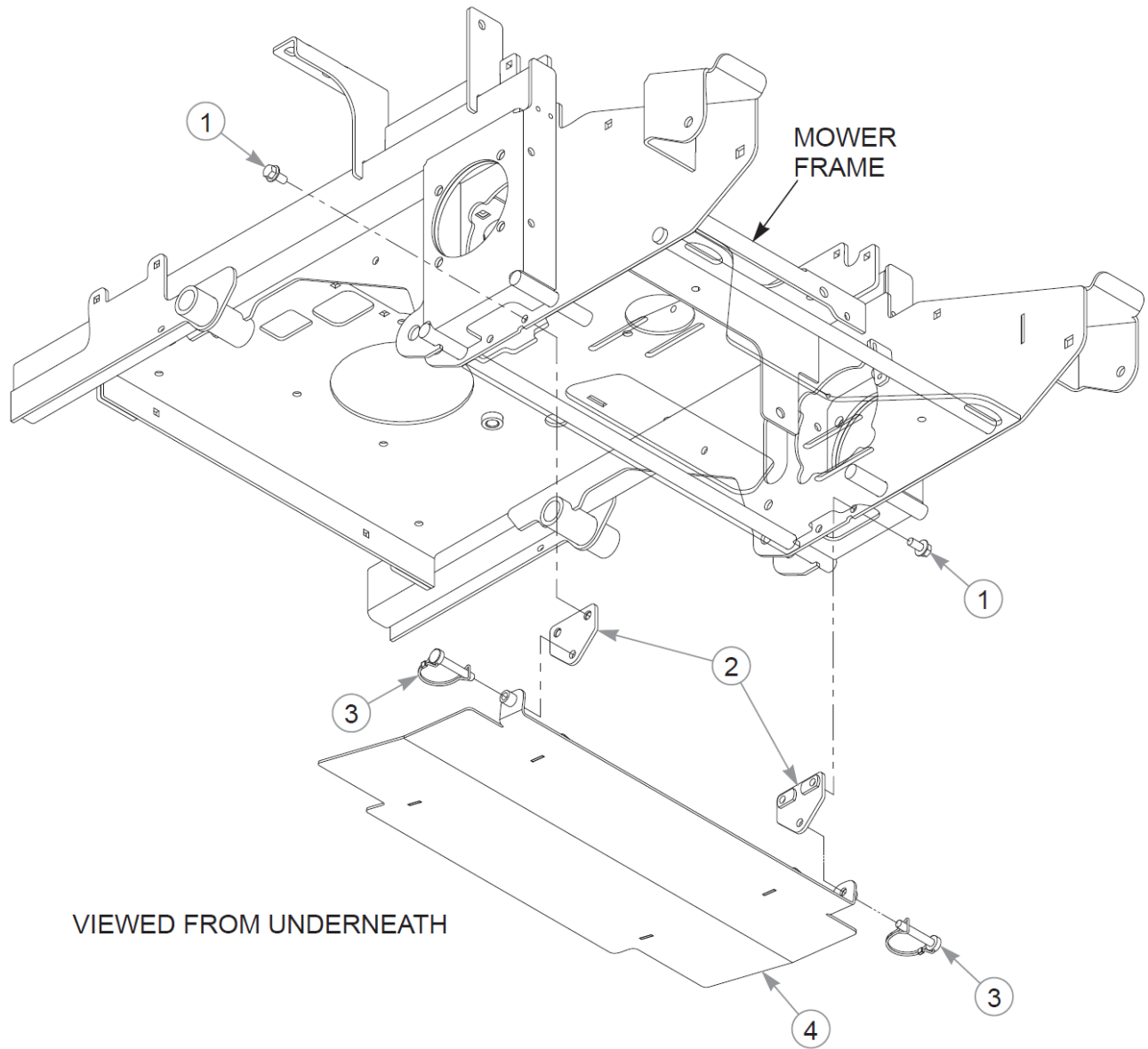


Élément	Numéro de pièce	Qté	Nom
1	127154-1	2	PULLEY COVER, 48" RD
2	768523	4	FW 0.343SAE
3	034280	4	CS .312-18X0.750HXG5
4	608339	1	BELT, DECK
5	602562	2	DECAL, NO SERVICE
6	008193	1	NT .500-13HXG5
7	767962	1	FW .531 x 1.063 x .175
8	602344	1	SPACER, ANTI- SCALP 5.73
9	602341	1	WHEEL, ANTI-SCALP
10	602338	1	CB .50-13 X 7.50 STD ZN
11	086660	17	NT .375-16NLG8
12	767954	17	FW 0.379X.82X.06 HD ZN
13	127230-1	2	RETAINER, FLAP 48" RD
14	608336	2	RUBBER, SHIELD
15	025395	14	CB .375-16X 1.00 G5 ZN
16	607117	2	CS .750-10 X 7.0 G5 ZN
17	025296	4	FW .760X1.63X0.08 ZN
18	015495	2	GREASE FITTING STRAIGHT
19	608340	2	PUSHER W/A, 48" RD
20	061101	2	NT .750-10 HX ZN NL GR B
21	124737-1	2	RAMP W/A
22	124740-1	1	RAMP W/A RH
23	124779-1	1	WRAPPER EXT, LH
24	124736-1	1	WRAPPER EXT, CENTER
25	124735-1	1	WRAPPER EXT, SIDE
26	601123	3	BLADE, 16.50"-L-F-CW
27	114988	3	SHIELD, BLADE BOLT
28	782474	3	CW .678 X 2.250 X .187
29	781872	3	CS .625-11X1.250HXG5

Comments for Page: Deck, Deck Belt & Blades (Multi-Page)

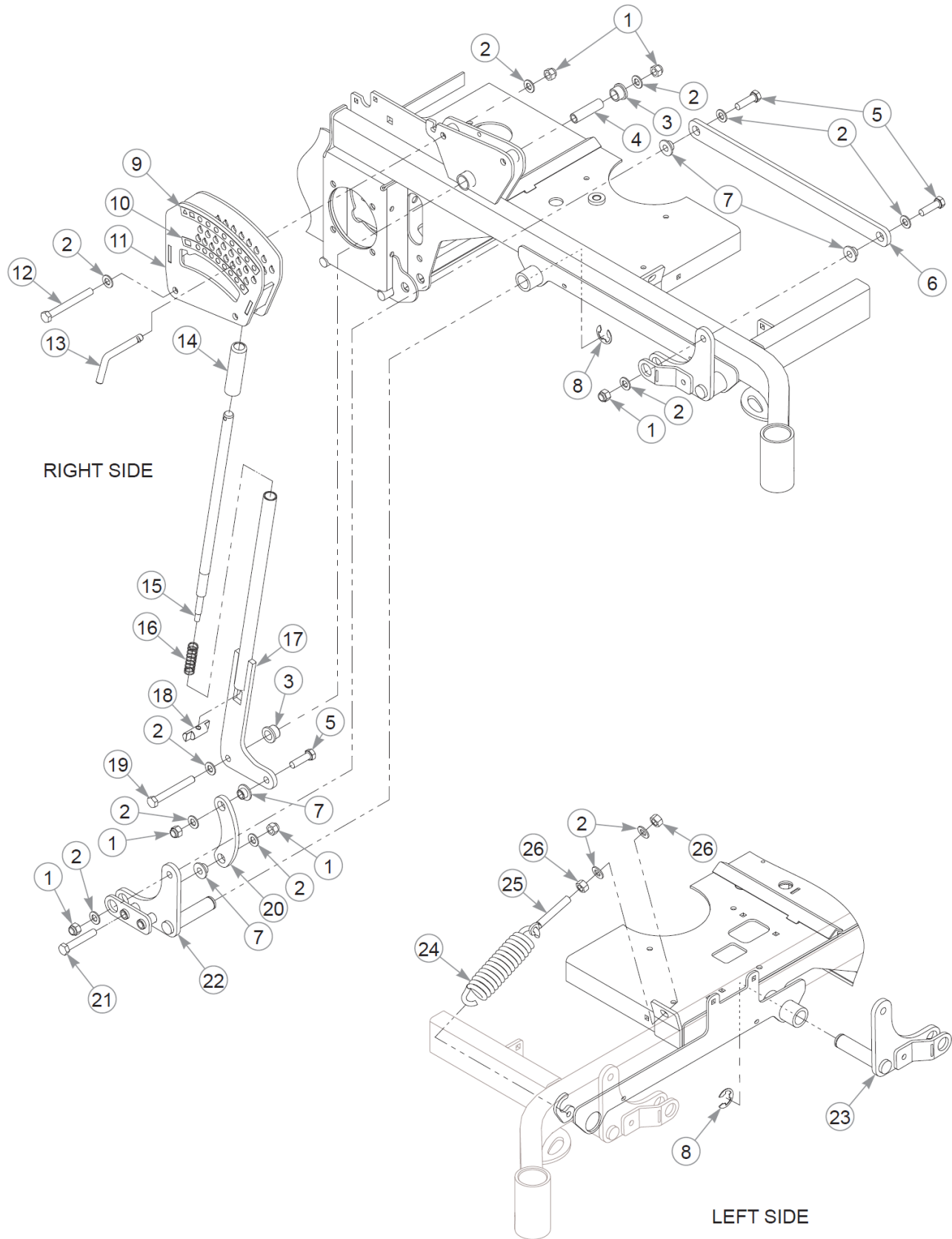
1. Tighten to remove play on the cap screw. The pusher must rotate freely.
2. Torque to 160 N•m.



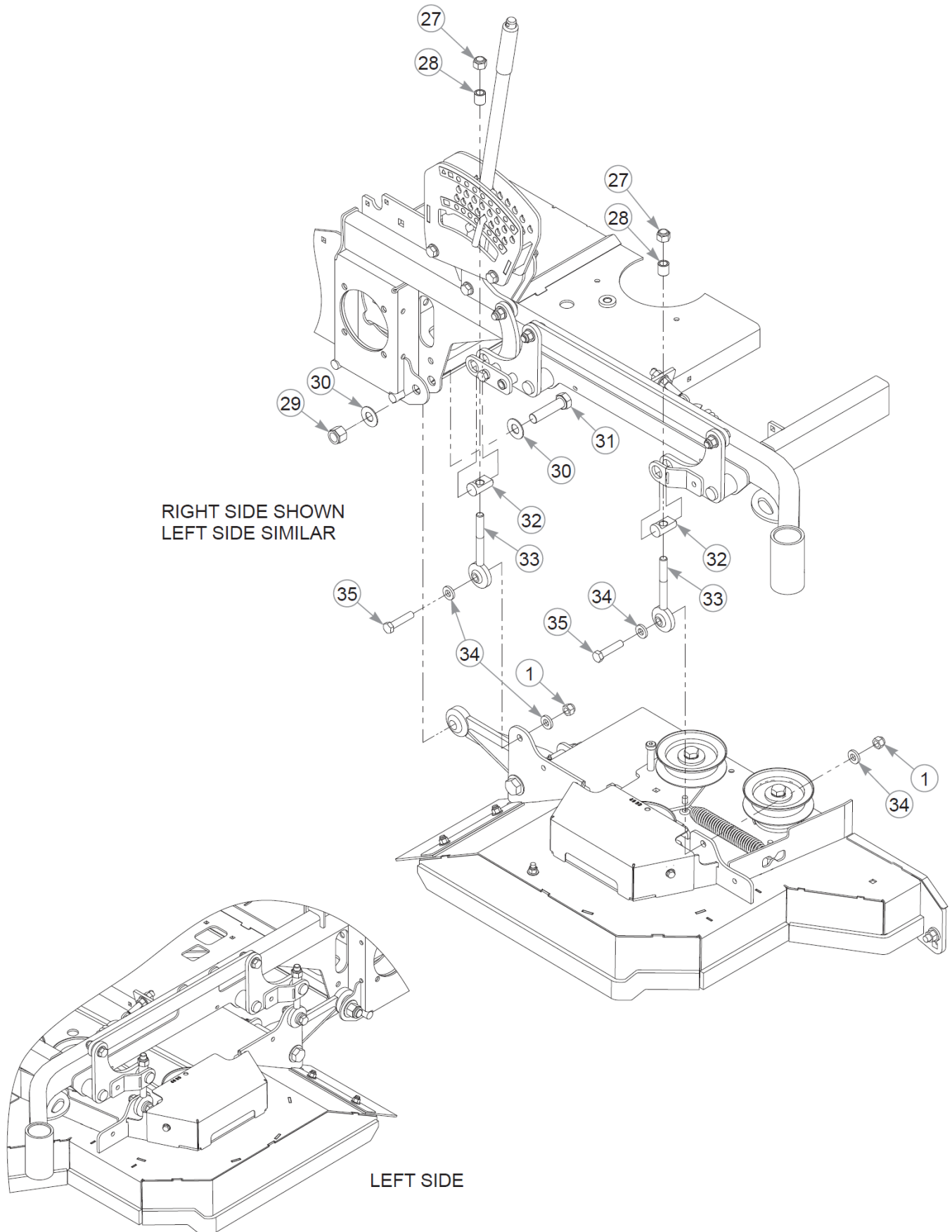


# Dust Shield

Élément	Numéro de pièce	Qté	Nom
1	029629	4	CS .375-16X0.75 HXF G5ZN
2	124748-1	2	PIVOT BRKT W/A
3	604803	2	CE .375 x 2.00 W/BALE
4	127231-1	1	SHIELD, DUST W/A 48" RD



Cette page intentionnellement laissée vierge



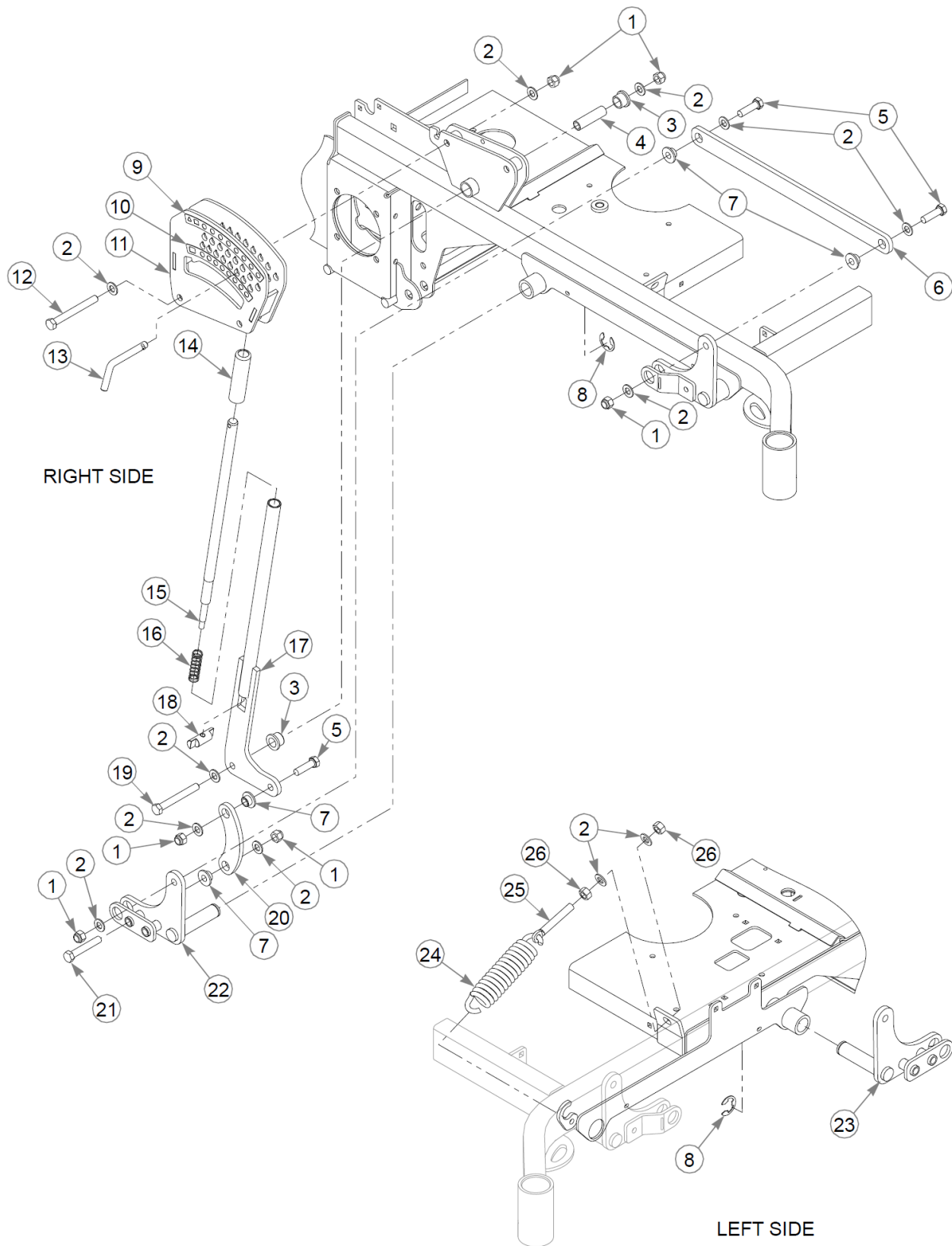
Élément	Numéro de pièce	Qté	Nom
1	781567	13	NT .500-13NLG5
2	004168	20	FW .531x1.00x.090 ZN
3	608000	2	BUSHING
4	608321	1	SLEEVE, PIVOT
5	017616	5	CS .500-13X1.750HXG5
6	127118-4	2	LINK, DECK LIFT
7	608319	6	BUSHING
8	608255	2	CLIP E, 1.50X.822X.050
9	608248	1	DECAL,UPR DECK HT METRIC
10	608249	1	DECAL,LWR DECK HT METRIC
11	555885	1	SVC, DECK HEIGHT W/A
12	068239	2	CS .500-13X4.500HXG5
13	604076	1	PIN, DECK HEIGHT STOP
14	608233	1	GRIP, DECK LIFT
15	608320	1	THUMB PLUNGER
16	601580	1	COMPRESSION SPRING
17	127122-4	1	HANDLE W/A
18	608062-4	1	DECK LIFT LATCH NUT
19	089938	1	CS .500-13X4.000HXG5
20	127119-4	1	LINK, DECK LEVER
21	736983	1	CS .500-13X3.000HXG5
22	127120-4	1	DECK CRANK W/A, RH
23	127121-4	1	DECK CRANK W/A, LH
24	606454	2	SPRING, EXT 7.0 300LB/IN
25	606478	2	EB, .500-13X3.00 FULTHD
26	008193	4	NT .500-13HXG5
27	606316	4	NT 0.563-18 NLGC
28	606292	4	DECK LEVEL SPACER
29	061101	2	NT .750-10 HX ZN NL GR B
30	025296	4	FW .760X1.63X0.08 ZN
31	051169	2	CS .750-10X3.000HXG5
32	607979	4	DECK LEVEL PIVOT
33	606290	4	W/A DECK LEVEL ROD END
34	767962	8	FW .531 x 1.063 x .175
35	761544	4	CS .500-13X2.250HXG8

Comments for Page: Deck Lift & Mounting Hardware (Multi-Page) - Prior to S/N 21091848

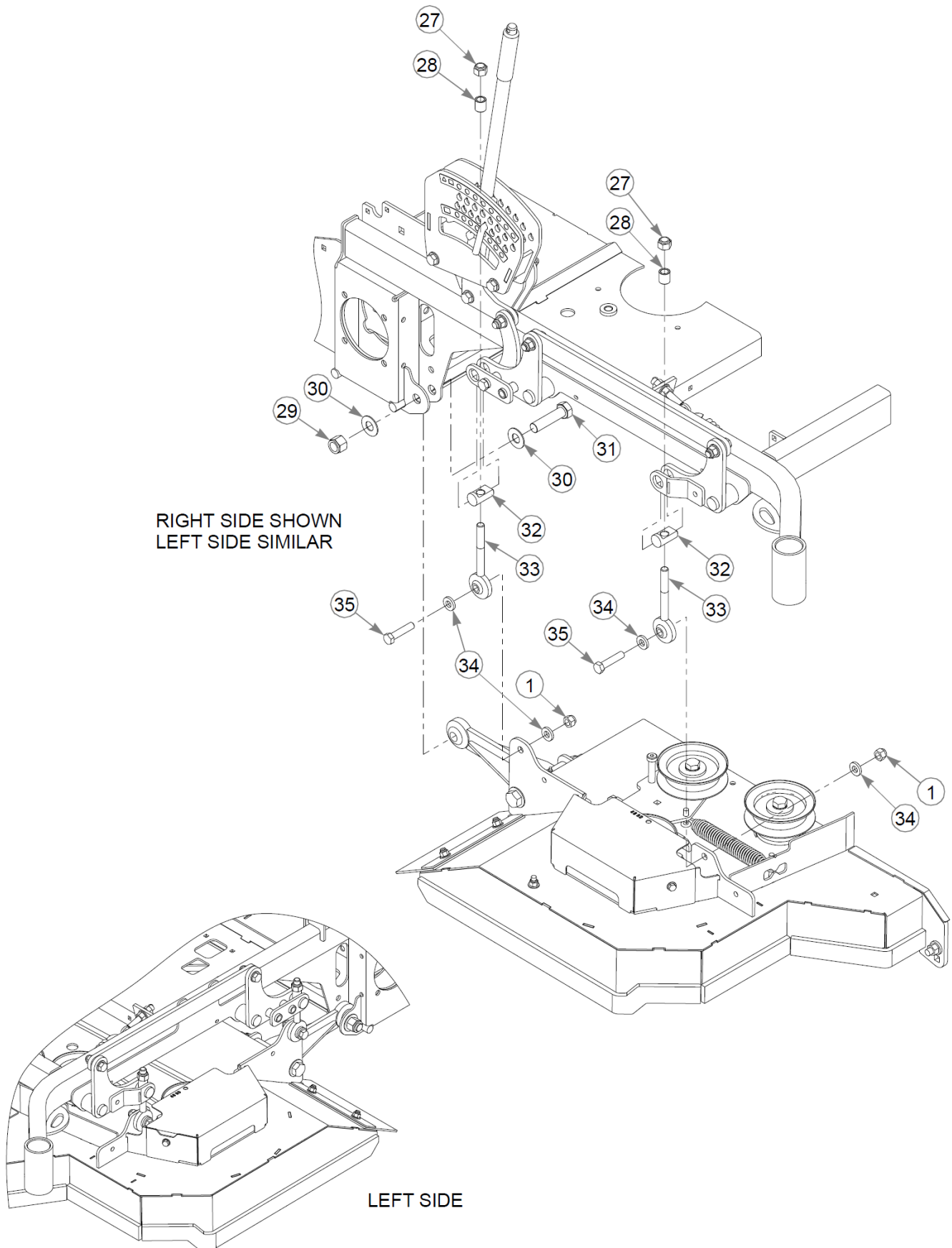
1. The deck height assembly includes the decals.

Cette page intentionnellement laissée vierge





Cette page intentionnellement laissée vierge



Élément	Numéro de pièce	Qté	Nom
1	781567	13	NT .500-13NLG5
2	004168	20	FW .531x1.00x.090 ZN
3	608000	2	BUSHING
4	608321	1	SLEEVE, PIVOT
5	017616	5	CS .500-13X1.750HXG5
6	127118-4	2	LINK, DECK LIFT
7	608319	6	BUSHING
8	608255	2	CLIP E, 1.50X.822X.050
9	608248	1	DECAL,UPR DECK HT METRIC
10	608249	1	DECAL,LWR DECK HT METRIC
11	555885	1	SVC, DECK HEIGHT W/A
12	068239	2	CS .500-13X4.500HXG5
13	604076	1	PIN, DECK HEIGHT STOP
14	608233	1	GRIP, DECK LIFT
15	608320	1	THUMB PLUNGER
16	601580	1	COMPRESSION SPRING
17	127122-4	1	HANDLE W/A
18	608062-4	1	DECK LIFT LATCH NUT
19	089938	1	CS .500-13X4.000HXG5
20	127119-4	1	LINK, DECK LEVER
21	736983	1	CS .500-13X3.000HXG5
22	127120-4	1	DECK CRANK W/A, RH
23	128156-4	1	W/A, DECK CRANK LH
24	606454	2	SPRING, EXT 7.0 300LB/IN
25	606478	2	EB, .500-13X3.00 FULTHD
26	008193	4	NT .500-13HXG5
27	606316	4	NT 0.563-18 NLGC
28	606292	4	DECK LEVEL SPACER
29	061101	2	NT .750-10 HX ZN NL GR B
30	025296	4	FW .760X1.63X0.08 ZN
31	051169	2	CS .750-10X3.000HXG5
32	607979	4	DECK LEVEL PIVOT
33	606290	4	W/A DECK LEVEL ROD END
34	767962	8	FW .531 x 1.063 x .175
35	761544	4	CS .500-13X2.250HXG8

Comments for Page: Deck Lift & Mounting Hardware (Multi-Page) - S/N 21091848 & Higher

1. The deck height assembly includes the decals.