

Hustler® Parts Manual



HUSTLER®
TURF EQUIPMENT

200 South Ridge Road

Hesston, Kansas

67062



NOTICE OF REQUIREMENT OF SPARK ARRESTER MUFFLER

This equipment may create sparks that can start fires around dry vegetation. California Public Resources Code Section 4442.6 provides that it is unlawful to use or operate an internal combustion engine on any forest-covered, brush-covered, or grass-covered land unless the engine is equipped with a spark arrester maintained in effective working order. A spark arrester is a device constructed of nonflammable materials specifically for the purpose of removing and retaining carbon and other flammable particles over 0.0232 of an inch in size from the exhaust flow of an internal combustion engine that uses hydrocarbon fuels or which is qualified and rated by the United States Forest Service. Other states or federal areas may have similar laws. The Operator Should Contact Local Fire Agencies For Laws or Regulations Relating to Fire Prevention Requirements. **THIS EQUIPMENT DOES NOT HAVE A SPARK ARRESTER AND YOU SHOULD CONTACT YOUR AUTHORIZED DEALER FOR THE PURCHASE OF A SPARK ARRESTER.**

Inspect spark arrester daily; replace every 500 hours or as needed.

The Engine Owner's Manual provides information regarding the U.S. Environmental Protection Agency (EPA) and the California Emission Control Regulation of emission systems, maintenance and warranty.

Keep Engine Owner's Manual with your unit. Should the Engine Owner's Manual become damaged or illegible, replace immediately. Replacements may be ordered per the information found in the Product Information section of the owner's manual.

Federal law and California State law prohibit the following acts or the causing thereof:

1. The removal or rendering inoperative by any person other than for purposes of maintenance, repair, replacement, of any device or element of design incorporated into any equipment for the purposes of emissions control prior to or after its sales or delivery to the ultimate purchaser or while it is in use, or
2. The use of the equipment after such device or element of design has been removed or rendered inoperative by any person.

General Information 1

Frame, Foot Platform & Tower Pad

Frame 3-1
Foot Platform & Tower Pad - S/N 18067885 & HIGHER 3-2
Foot Platform & Tower Pad - PRIOR TO S/N 18067885 3-3

Hydraulic System, Drive Belt, Clutch, Steering & Brake

Hydraulic System 4-1
Reservoir Assembly 4-2
Left Pump Assembly Breakdown 4-3
Right Pump Assembly Breakdown 4-4
Hydraulic Pump Service Parts 4-5
Wheel Motor Assembly 4-6
Pump Drive 4-7
Steering (Multi-Page) 4-8
Brake 4-9

Wheels, Tires & Fenders

Wheels, Tires & Fenders 5-1
Front Wheel Assembly Breakdown 5-2
Drive Wheel Breakdown - 606013 5-3

Engine, Muffler & Fuel System

Engine, Muffler & Muffler Guard 6-1
Engine Service Parts - FX691V 6-2
Fuel System 6-3
Fuel Tank Service Parts - 605908 6-4

Instrument Panel, Wire Harness & Battery

Instrument Panel & Wire Harness 7-1
Battery 7-2

Deck, Deck Belt, Blades, Deck Lift & Mounting

Service Deck 8-1
Deck Pulleys & Spindles 8-2
Spindle Assembly Service Parts - 607407 8-3
Deck Belt, Covers, Blades (Multi-Page) 8-4
Dust Shield 8-5
Deck Lift & Mounting Hardware (Multi-Page) 8-6

General Information

Note: When ordering parts, you must use the part number as shown for each part, not the index number. Always give the model and serial number to your parts and service representative.

Note: Items sold in bulk such as seals and hoses are sold by the foot.

Using This Manual

This manual is part of a service package for the Hustler® mowers. Use of this manual in conjunction with other Hustler® mower and component manuals will provide the information necessary to service and maintain Hustler® mowers.

This Parts Manual provides a complete parts listing for the unit. Use this manual when ordering parts. Illustrations used were current at the time of printing, but subsequent production changes may cause your machine to vary slightly in detail. Excel Industries, Inc. reserves the right to redesign and change the machine as deemed necessary, without notification. If a change has been made to your machine which is not reflected in this parts manual, see your authorized dealer for current information and parts.

The Service Manual is a service guide for use by Service Technicians. It provides the necessary information needed to perform normal maintenance requirements on these units.

The Operator's Manual provides fundamental operational information and operational safety that is needed when operating the mower.

The component manuals are furnished by the various manufacturers to be used for the troubleshooting and servicing of their products.

Hardware Description Codes & Abbreviations

The following codes are used throughout this parts manual. Refer to this list when ordering parts.

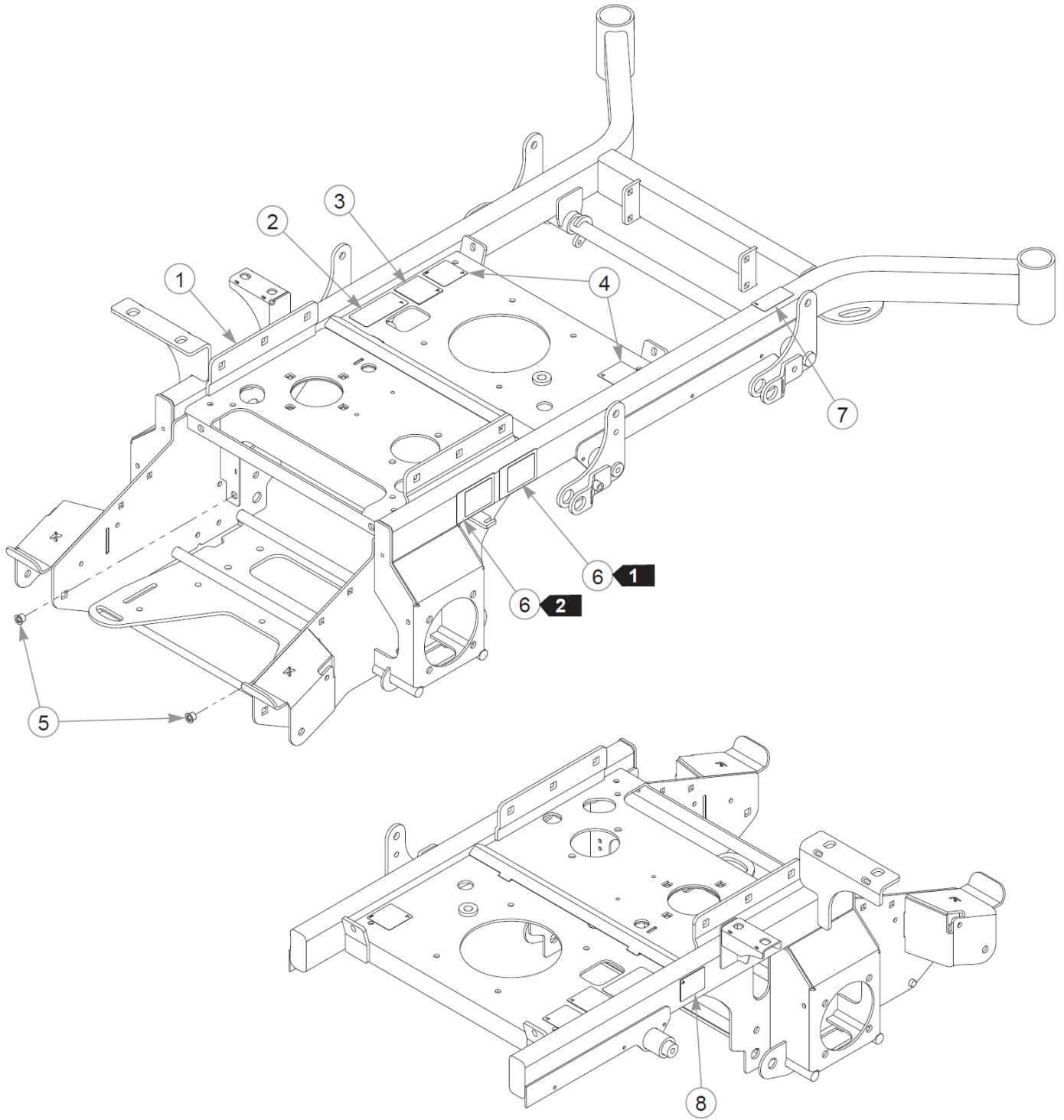
ABBREVIATION	DESCRIPTION	ABBREVIATION	DESCRIPTION
CB	CARRIAGE BOLT	MB	MACHINE BUSHING
CE	CLEVIS PIN	MS	MACHINE SCREW
CN	CLIP NUT	NT	NUT
CP	COTTER PIN	SC	SELF TAPPING CAP SCREW
CS	CAP SCREW	SH	SOCKET HEAD
CW	CUP WASHER	SB	SHOULDER BOLT
FDRW	FENDER WASHER	SS	SET SCREW
FW	FLAT WASHER	OD	OUTSIDE DIAMETER
HX	HEX HEAD	ID	INSIDE DIAMETER
LW	LOCK WASHER	WN	WELD NUT

Standard Torques

The following chart lists the standard torque values for the threaded fasteners found in this manual. Torque all cap screws, nuts and set screws to these values unless a different torque is shown in the Notes section next to the fastener.

SIZE	FT-LBS	N•M	SIZE	FT-LBS	N•M
.250	8.2	11.1	M3	1	1.3
.312	17	23	M4	2.2	3
.375	30	40	M5	4.5	6.1
.438	48	65	M6	7.7	10.4
.500	73	99	M8	18.5	25
.562	105	143	M10	37	50
.625	145	200	M12	64	87
.750	260	350	M14	80	108.5
.875	420	565	M16	160	215
1.00	625	850	M20	320	435
			M24	555	750

Cette page intentionnellement laissée vierge

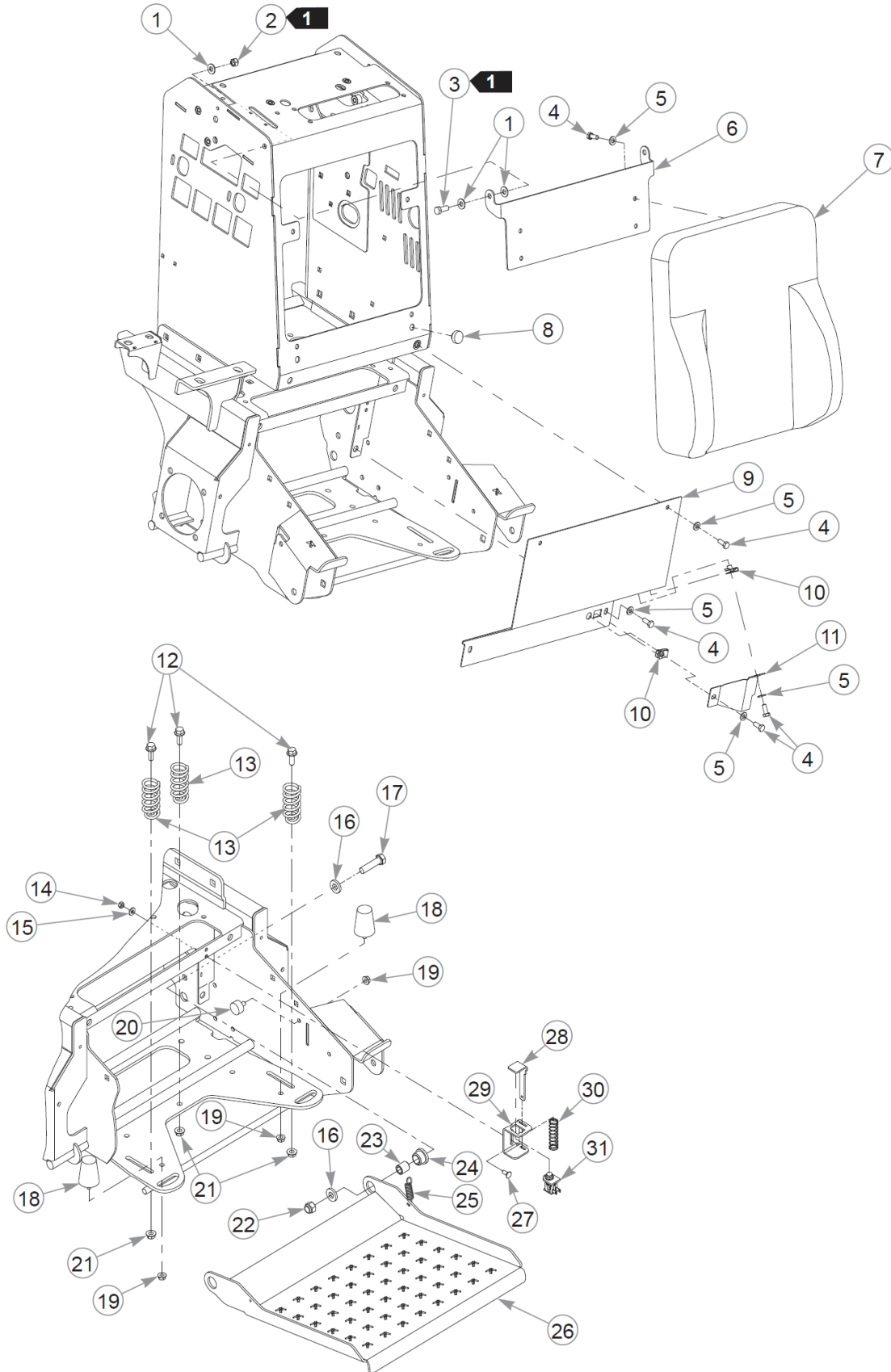


Frame

Élément	Numéro de pièce	Qté	Nom
1	554727	1	SVC FRAME
2	606323	1	DECAL, ENGINE PLATE
3	789776CE	1	DBA LIMIT DECAL
4	602562	2	DECAL, NO SERVICE
5	808485	2	RIVET NUT, 5/16-18 THRE
6	N/A	2	SERIAL NUMBER / SPEC DECAL
7	602041	1	DECAL, HOT
8	776310	1	DECAL, CE MARK

Comments for Page: Frame

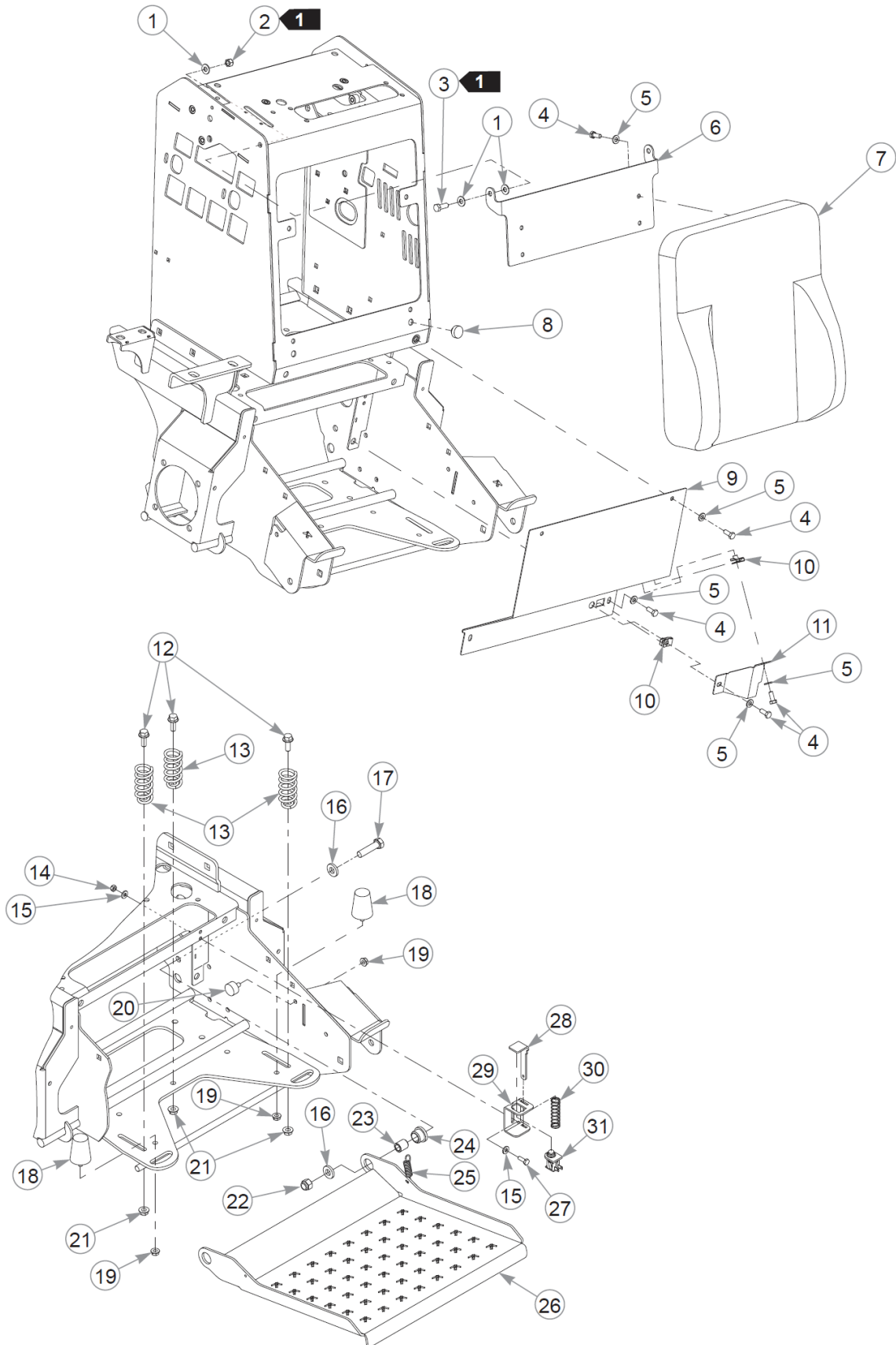
1. Serial number decal. In the event the serial number decal becomes damaged or illegible, please contact your dealer to order a replacement.2. EPA compliance decal.3. The frame includes the decals.



Élément	Numéro de pièce	Qté	Nom
1	767954	6	FW 0.379X.82X.06 HD ZN
2	086660	2	NT .375-16NLG8
3	036244	2	CS .375-16X1.00 HX G5 ZN
4	034280	10	CS .312-18X0.750HXG5
5	768523	10	FW 0.343SAE
6	122580	1	PAD MOUNT
7	607168	1	OPERATOR PAD, W/BOLSTERS
8	781880	2	BUMPER, .500x 1.00x .31
9	122624	1	DIVERTER SHIELD
10	601069	2	CN .312-18x.200 MAX THK
11	122782	1	SWITCH GUARD
12	029751	3	CS .375-16X1.00 HXF G5ZN
13	606286	3	SPRING
14	068551	2	NT .250-20 HXZY NL
15	768515	2	FW 0.281SAE
16	767962	4	FW .531 x 1.063 x .175
17	078949	2	CS .500-13X2.000 FUL HX
18	606845	2	BUMPER, CONICAL 2.00
19	016832	4	NT .312-18FLKG5
20	605960	2	ISOLATOR, 1.00" DIA
21	016899	3	NT .375-16 FLKG5
22	781567	2	NT .500-13NLG5
23	122241	2	FLOOR PAN PIVOT
24	781153	2	BUSHING, UHMW
25	034652	1	SPRING 2.5
26	121903	1	W/A, FLOOR PAN
27	601503	2	CB .250-20 X .625 ZN
28	122625	1	OPC PLUNGER BRKT
29	122626	1	OPC SWITCH MOUNT
30	601580	1	COMPRESSION SPRING
31	606262	1	SWITCH, N.O. PLUNGER

Comments for Page: Foot Platform & Tower Pad - S/N 18067885 & HIGHER

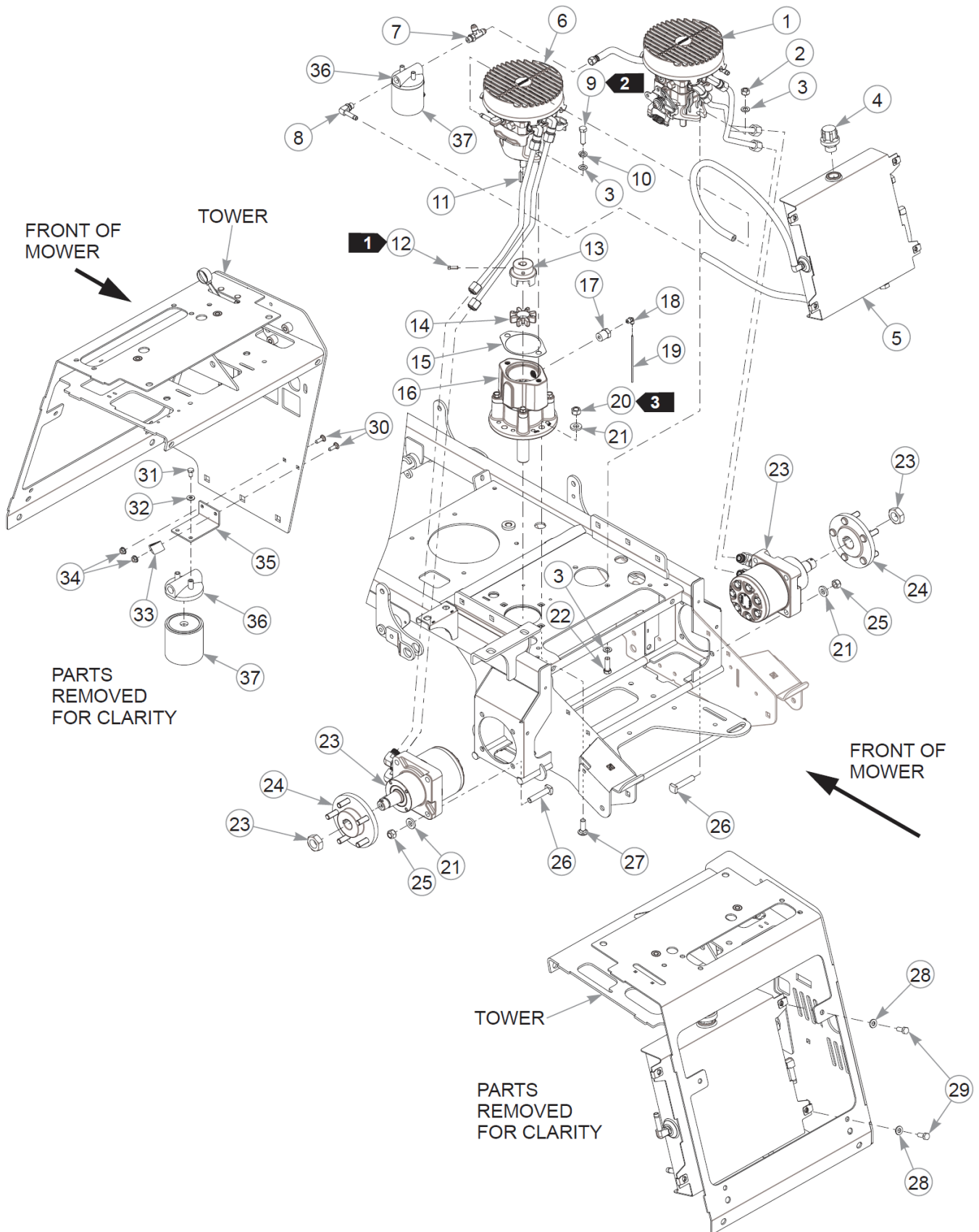
1. Tighten the hardware so that the operator pad will pivot, but hold its position when lifted.



Élément	Numéro de pièce	Qté	Nom
1	767954	6	FW 0.379X.82X.06 HD ZN
2	086660	2	NT .375-16NLG8
3	036244	2	CS .375-16X1.00 HX G5 ZN
4	034280	10	CS .312-18X0.750HXG5
5	768523	10	FW 0.343SAE
6	122580	1	PAD MOUNT
7	607168	1	OPERATOR PAD, W/BOLSTERS
8	781880	2	BUMPER, .500x 1.00x .31
9	122624	1	DIVERTER SHIELD
10	601069	2	CN .312-18x.200 MAX THK
11	122782	1	SWITCH GUARD
12	029751	3	CS .375-16X1.00 HXF G5ZN
13	606286	3	SPRING
14	068551	2	NT .250-20 HXZY NL
15	768515	4	FW 0.281SAE
16	767962	4	FW .531 x 1.063 x .175
17	078949	2	CS .500-13X2.000 FUL HX
18	606845	2	BUMPER, CONICAL 2.00
19	016832	4	NT .312-18FLKG5
20	605960	2	ISOLATOR, 1.00" DIA
21	016899	3	NT .375-16 FLKG5
22	781567	2	NT .500-13NLG5
23	122241	2	FLOOR PAN PIVOT
24	781153	2	BUSHING, UHMW
25	034652	1	SPRING 2.5
26	121903	1	W/A, FLOOR PAN
27	055939	2	CS .250-20X0.75 HX G5 ZN
28	122625	1	OPC PLUNGER BRKT
29	122626	1	OPC SWITCH MOUNT
30	601580	1	COMPRESSION SPRING
31	606262	1	SWITCH, N.O. PLUNGER

Comments for Page: Foot Platform & Tower Pad - PRIOR TO S/N 18067885

1. Tighten the hardware so that the operator pad will pivot, but hold its position when lifted.



Hydraulic System

Élément	Numéro de pièce	Qté	Nom
1		1	REFER TO "RIGHT PUMP ASSEMBLY BREAKDOWN"
2	041707	2	NT .437-14HXG5
3	704742	6	FW 0.453X.81X.06 ZN
4	606198	1	OIL RES BREATHER
5		1	REFER TO "RESERVOIR ASSEMBLY BREAKDOWN"
6		1	REFER TO "LEFT PUMP ASSEMBLY BREAKDOWN"
7	763953	1	FTG T,-6 O-RING/-6J
8	787465	1	FTG, 90°-6MORB/-6BT
9	606200	2	CS .437-20X1.50 HXG5
10	606176	2	LW .437 MED ZC
11	768127	1	KEY 5mm x30mm RADIUS EN
12	606263	2	SS .250-20 X .750 SQ
13	606184	1	PUMPSIDE COUPLING
14	605980	1	LH100 SPIDER 92A YELLOW
15	606266	1	JACKSHAFT GASKET
16	606183	1	JACKSHAFT ASSEMBLY
17	606327	1	FTG, 1/2X1/8 PTR-S VIBRA
18	606267	1	FTG, W369PLP-2-2 NPT
19	606353	1	NYLON TUBE, 1/8"
20	008193	4	NT .500-13HXG5
21	767962	12	FW .531 x 1.063 x .175
22	705186	2	CS .437-14X1.375HXG5
23		2	REFER TO "MOTOR ASSEMBLY BREAKDOWN"
24	773002	2	HUB, 5-BOLT REAR 4WD
25	023317	8	NT .500-13UNTG8
26	602256	8	CS .500-13X2.500 SQ G5
27	028274	4	CB .500-13X 1.500 FULL
28	768523	4	FW 0.343SAE
29	034280	4	CS .312-18X0.750HXG5
30	794784	2	CB .250-20 X .75 FUL ZN
31	055947	2	CS .250-20X0.50 HX G5 ZN
32	768515	2	FW 0.281SAE
33	043570	1	CLIP - HOSE - SINGLE(FS)
34	016816	2	NT .250-20FLKG5
35	122481	1	BRACKET, OIL FILTER
36	768333	1	FILTER HEAD ZINGA BF SE

Cette page intentionnellement laissée vierge

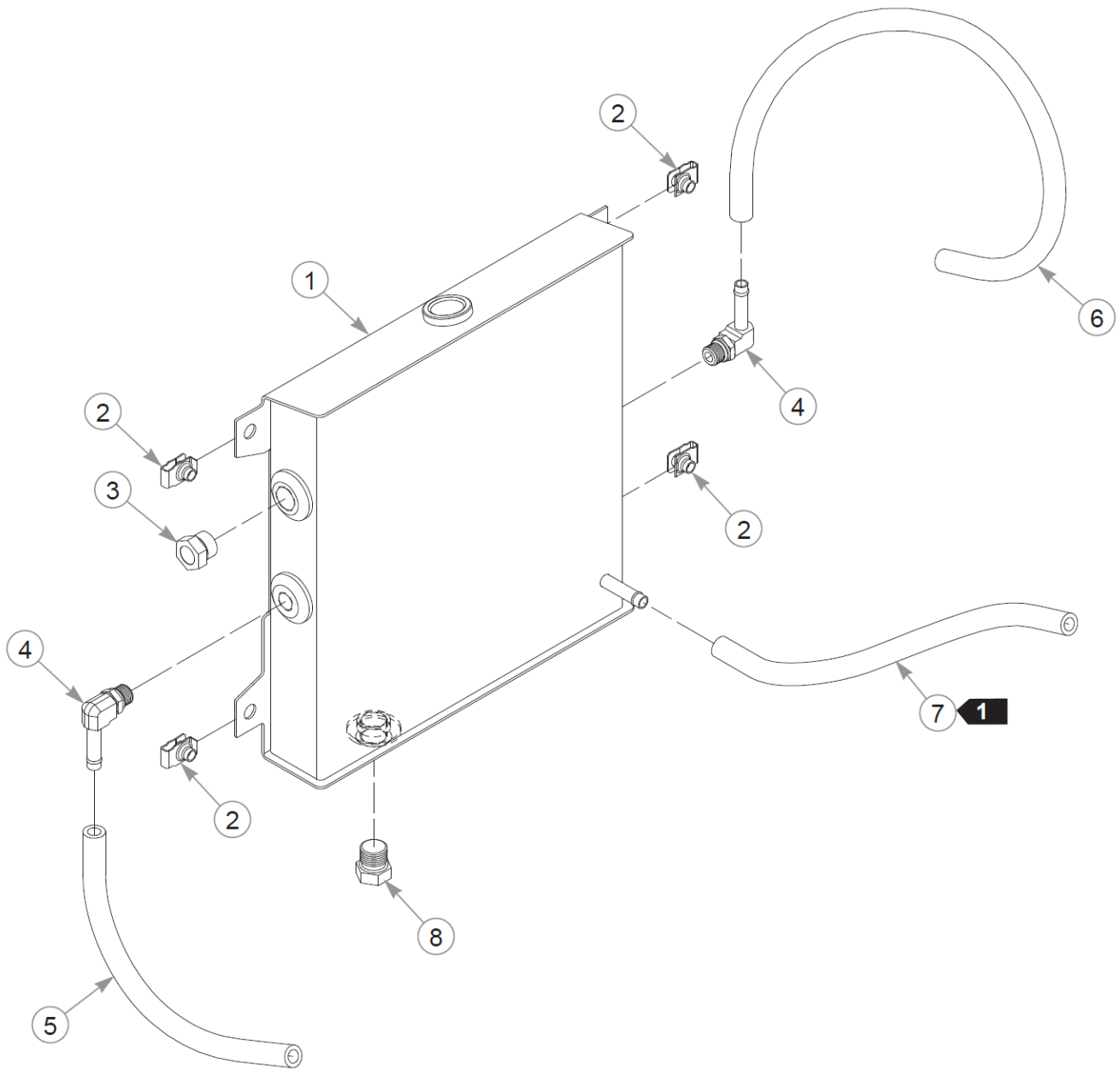
Hydraulic System

Élément	Numéro de pièce	Qté	Nom
37	768341	1	HYDRAULIC OIL FILTER

Comments for Page: Hydraulic System

1. Torque to 11–12 N•m.
2. Torque to 41–43 N•m.
3. Torque to 99 N•m.

Reservoir Assembly

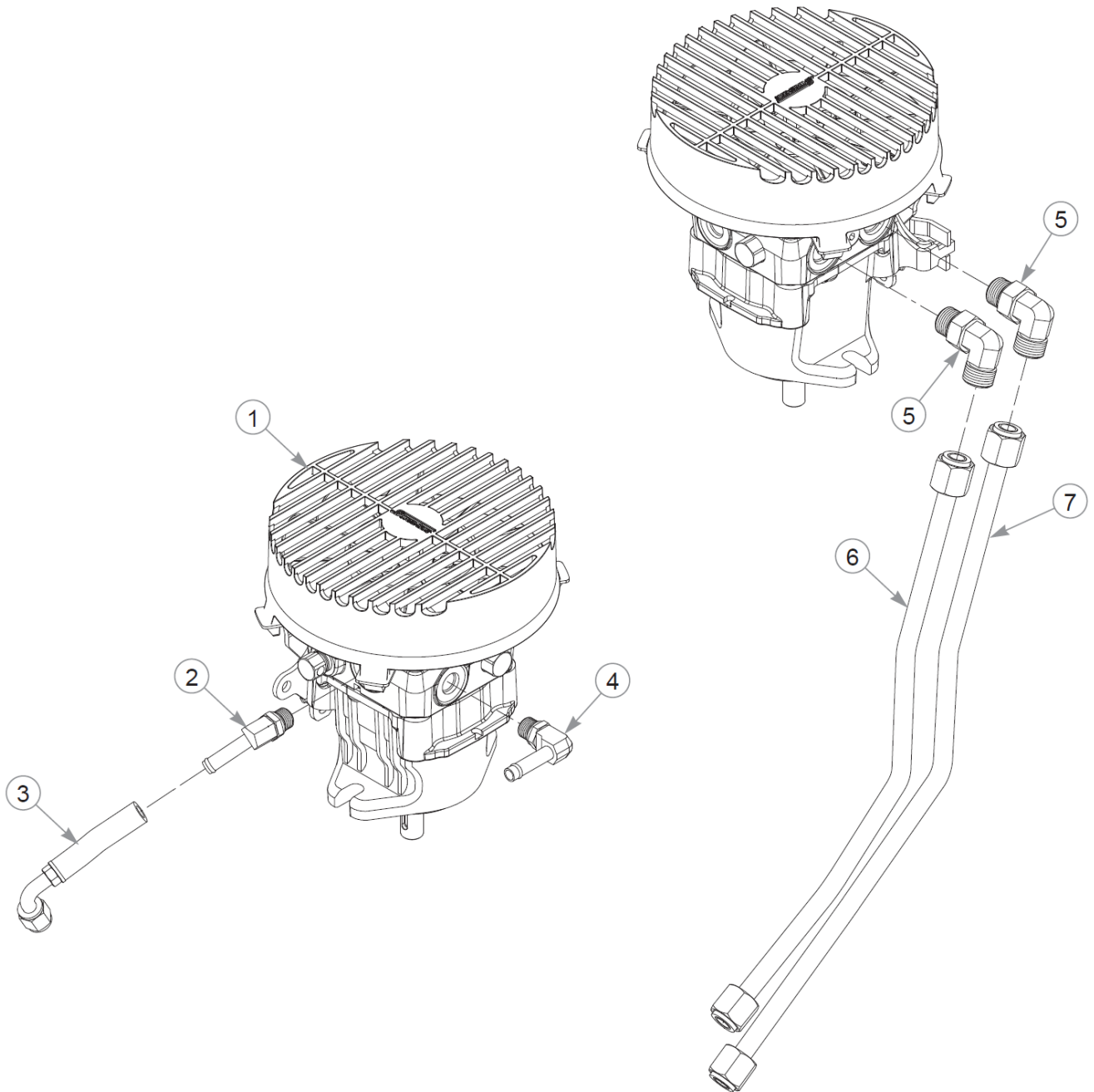


Reservoir Assembly

Élément	Numéro de pièce	Qté	Nom
1	606238	1	RESERVOIR W/A
2	601069	4	CN .312-18x.200 MAX THK
3	606249	1	FTG, SIGHT GLASS
4	787465	2	FTG, 90°-6MORB/-6BT
5	606109	1	RH PUMP RETURN HOSE
6	606108	1	LH PUMP RETURN HOSE
7	606110	1	MAIN SUCTION HOSE
8	781658	1	FTG, -8MORB/HEX PLUG

Comments for Page: Reservoir Assembly

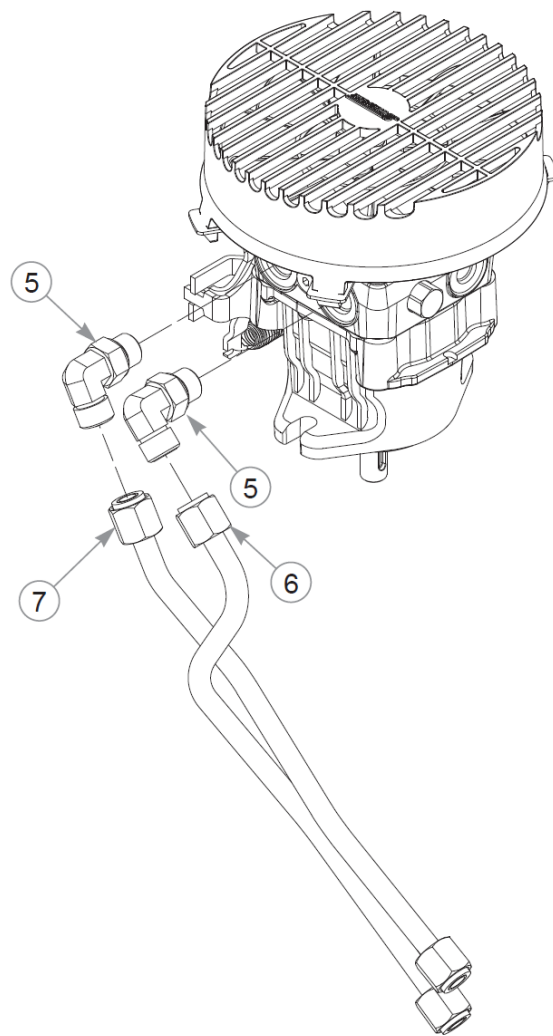
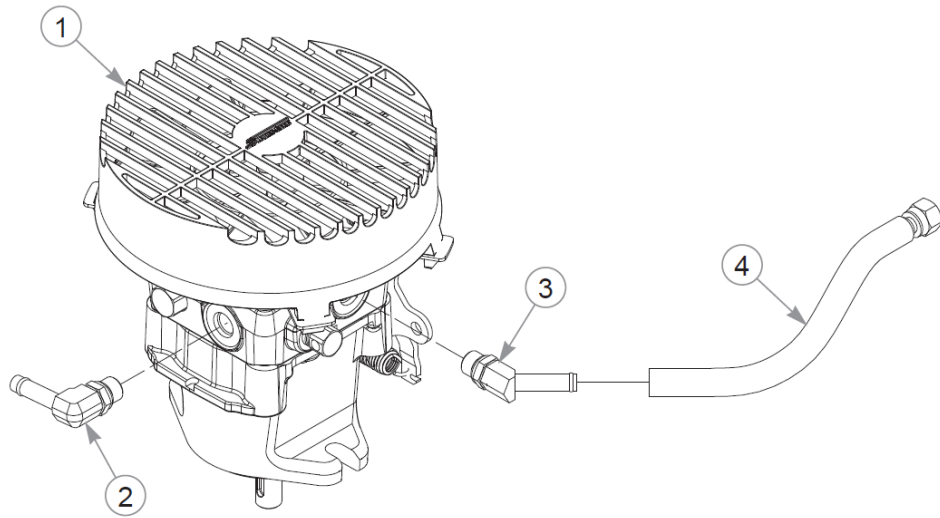
1. The hose (606110) comes with an AS-B protective sleeve.



Left Pump Assembly Breakdown

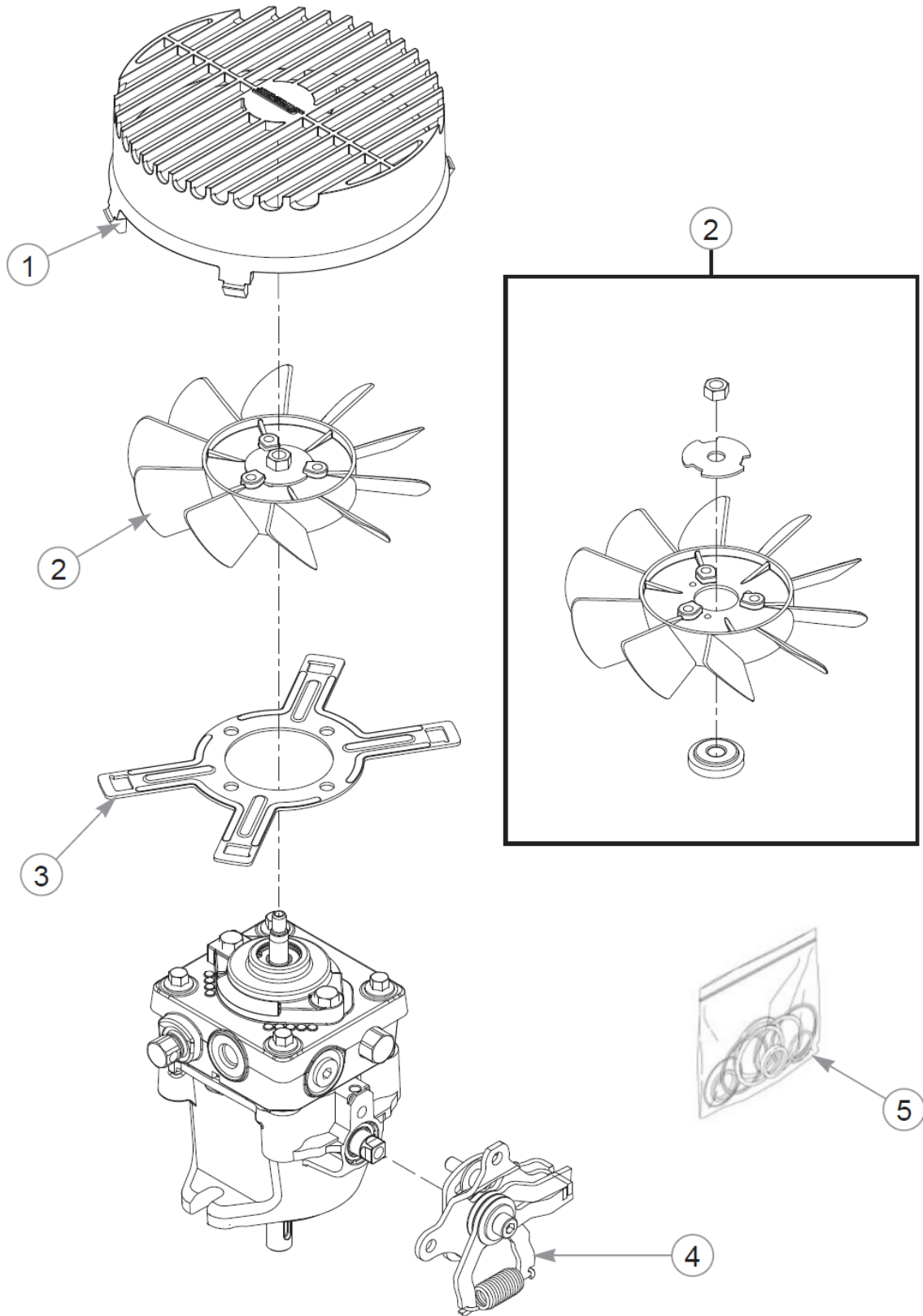
Élément	Numéro de pièce	Qté	Nom
1	606057	1	PUMP, H-G 12CC W/FAN-HH
2	784108	1	FTG, 45°-6MORB/-6BT
3	606111	1	LH PUMP SUCTION HOSE
4	787465	1	FTG, 90°-6MORB/-6BT
5	781542	2	FTG, 90°-8MORB/-8MORFS
6	606062	1	TUBE, LP-TM LH LOOP
7	606063	1	TUBE, RP-BM LH LOOP

Right Pump Assembly Breakdown



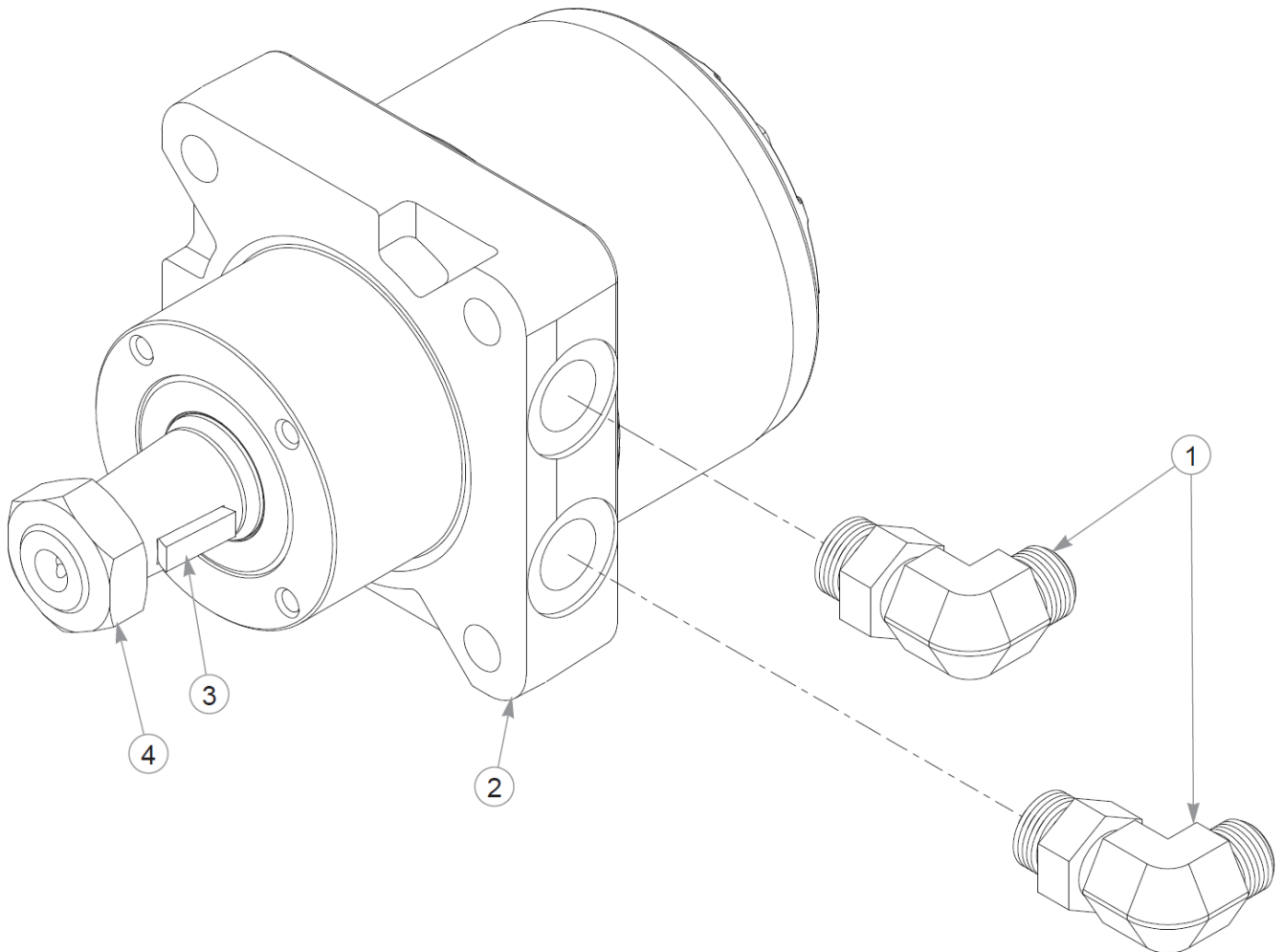
Right Pump Assembly Breakdown

Élément	Numéro de pièce	Qté	Nom
1	606058	1	PUMP, H-G 12CC W/FAN-HH
2	787465	1	FTG, 90°-6MORB/-6BT
3	784108	1	FTG, 45°-6MORB/-6BT
4	606112	1	RH PUMP SUCTION HOSE
5	781542	2	FTG, 90°-8MORB/-8MORFS
6	606060	1	TUBE, RP-BM RH LOOP
7	606061	1	TUBE, LP-TM RH LOOP



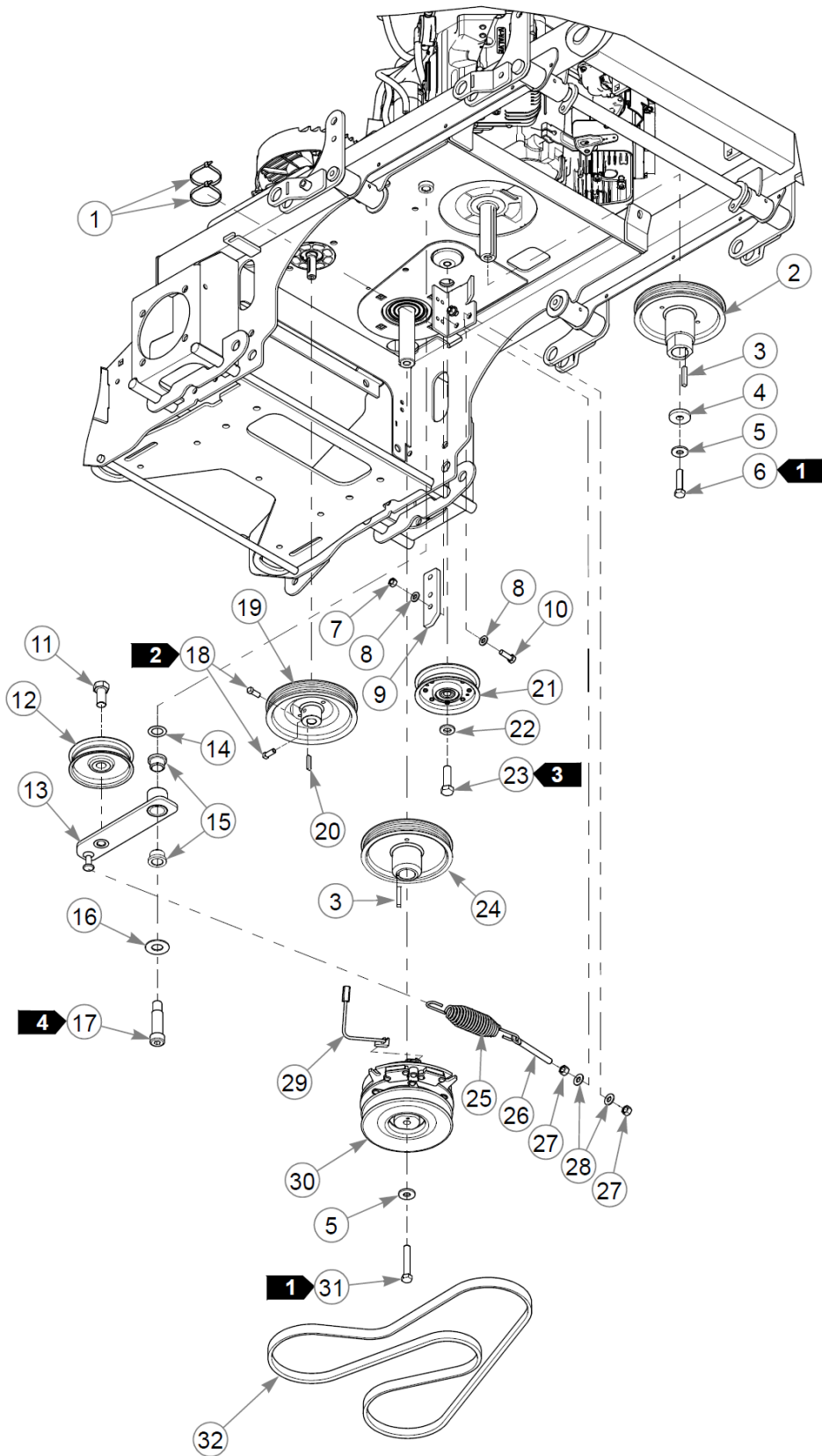
Hydraulic Pump Service Parts

Élément	Numéro de pièce	Qté	Nom
1	606348	1	FAN SHROUD, 7"
2	606347	1	FAN KIT, 7"
3	606349	1	FAN MOUNT
4	606350	1	KIT, RTN, STD SCISSOR
5	780718	1	SEAL KIT, PG/PJ PUMPS



Wheel Motor Assembly

Élément	Numéro de pièce	Qté	Nom
1	781526	2	FTG, 90°-10MORB/-8MORFS
2	606201	1	MOTOR, TL0195 - HH
Not Shown	605266	1	MOTOR, PARKER TL0240 -HH
3	064337	1	ROSS WOODRUFF KEY
4	065516	1	ROSS NUT



Pump Drive

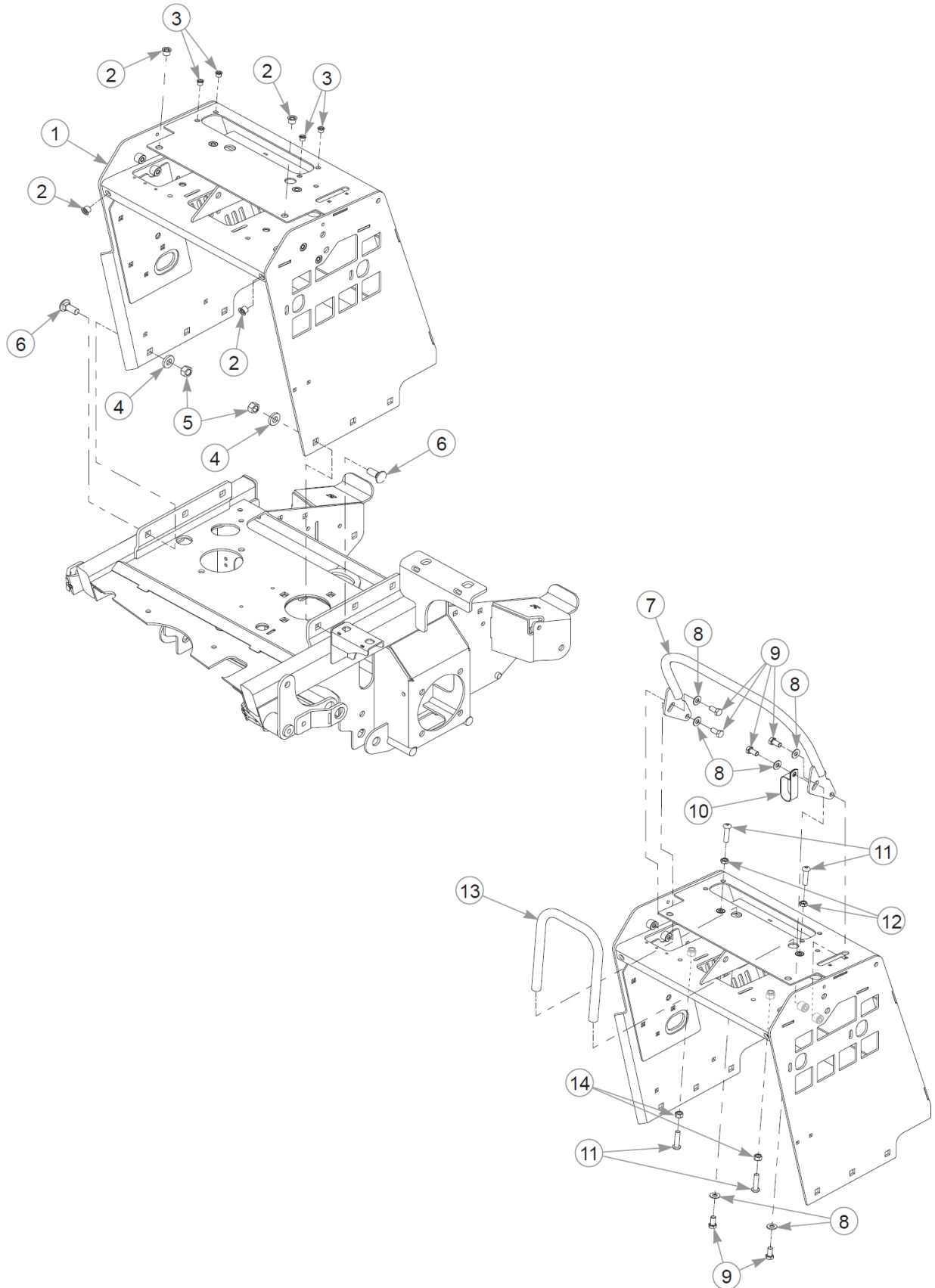
Élément	Numéro de pièce	Qté	Nom
1	000331	2	WIRE TIE, SMALL/SHORT
2	605850	1	PULLEY, 6.111"OP MICRO V
3	212076	2	KEY 1/4 SQ X 1.50 LG(FS)
4	606259	1	FW .485X1.46X.25 ZY
5	602680	2	FW .453X1.12X.12 HRD ZN
6	606175	1	CS .437-20X1.75 HXG5 P85
7	034272	2	NT .312-18HXG5
8	768523	4	FW 0.343SAE
9	113347	1	CLUTCH ANCHOR
10	036236	2	CS .312-18X1.000HXG5
11	781872	1	CS .625-11X1.250HXG5
12	601488	1	PULLEY, 4" FLAT IDLER
13	122528	1	IDLER ARM, W/A
14	704791	1	FW .781X1.25X.02 ZN
15	781153	2	BUSHING, UHMW
16	025296	1	FW .760X1.63X0.08 ZN
17	601084	1	SB .750X 2.000 SH.625-11
18	083196	2	SS .312-18X0.750SQ
19	606031	1	PULLEY, 6.111"OP MICRO V
20	768127	1	KEY 5mm x30mm RADIUS EN
21	606066	1	PULLEY, 4" FLAT IDLER
22	606256	1	FW .515X1.00X.13 ZN
23	017616	1	CS .500-13X1.750HXG5
24	605854	1	PULLEY, 6.111"OP MICRO V
25	781302	1	IDLER SPRING
26	601486	1	EB, .375-16X3.00 FULTHD
27	054502	2	NT .375-16HXG5
28	767954	2	FW 0.379X.82X.06 HD ZN
29	791251	1	HARNESS, CLUTCH PIGTAIL
<p>Commentaires pour le numéro de pièce 791251</p> <p>Pigtail was updated with epoxy to hold the wires steady. The wire sheath was also updated to a more flexible material.</p>			
30	606352K	1	CLUTCH KIT, 606352
31	785659	1	CS .437-20X2.50 HXG5 P85
32	606371	1	DRIVE BELT

Pump Drive

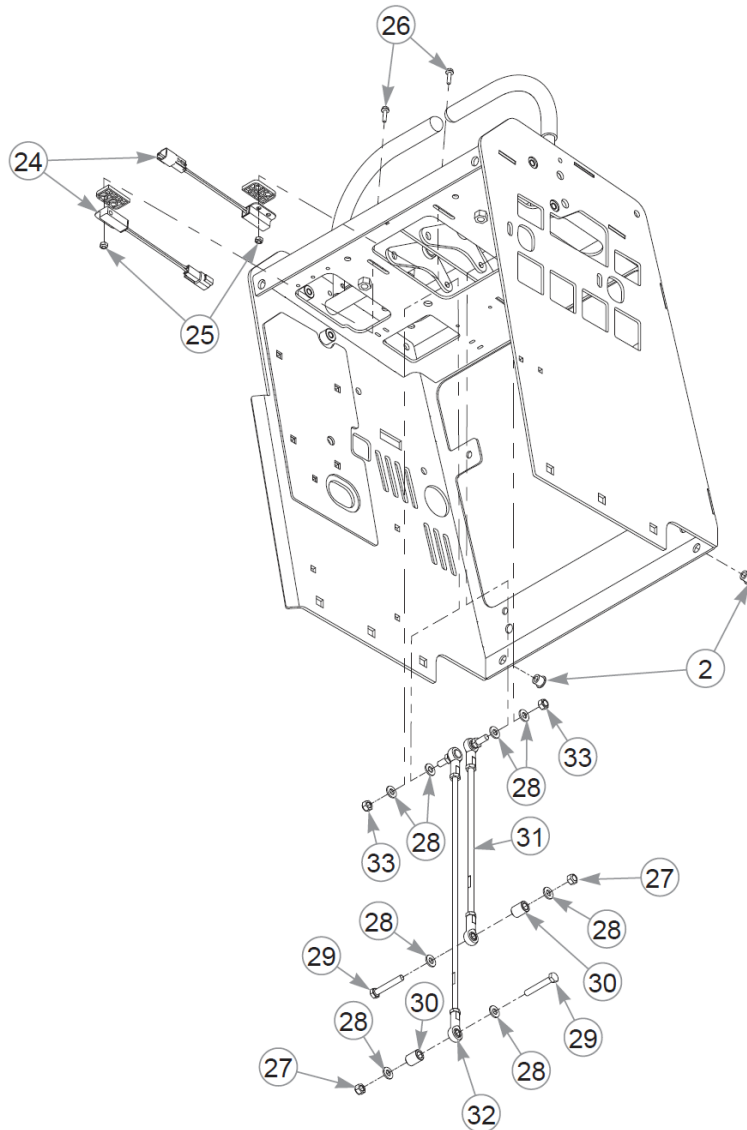
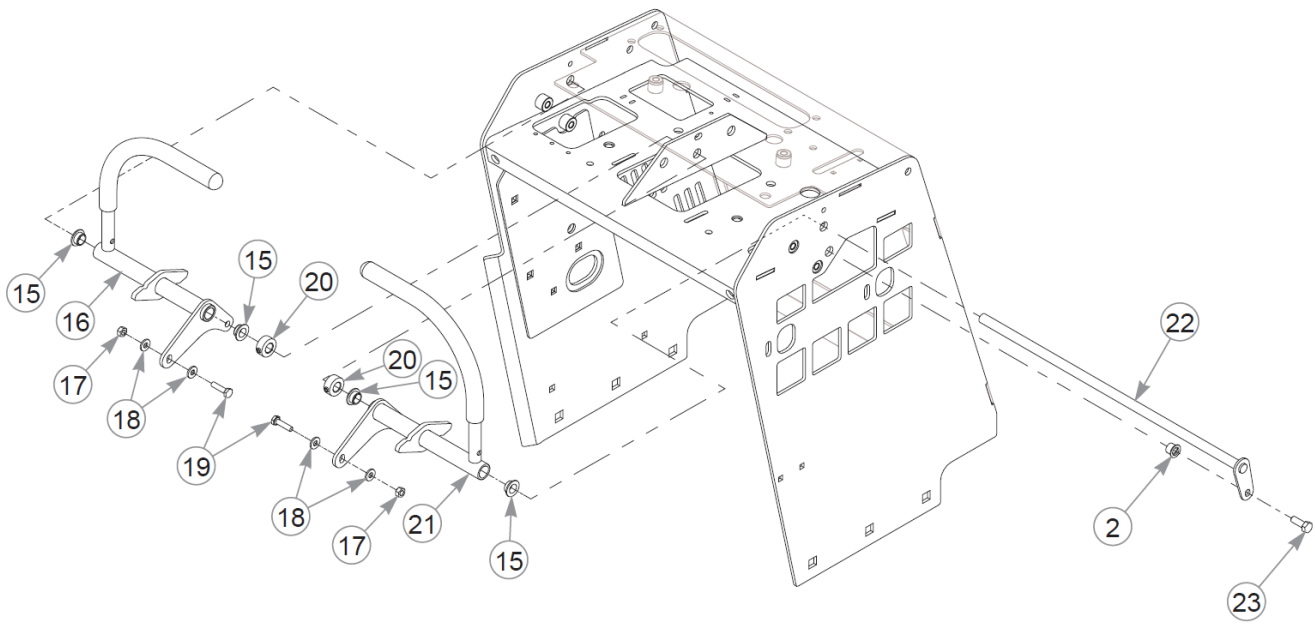
Comments for Page: Pump Drive

1. Torque to 61–65 N•m. Replace (do not reuse) the cap screw if it is removed or loosened. Use only hand tools to install this fastener.
2. Torque to 16–20 N•m.
3. Torque to 99 N•m.
4. Torque to 136 N•m. The idler arm must pivot freely.

Cette page intentionnellement laissée vierge



Cette page intentionnellement laissée vierge

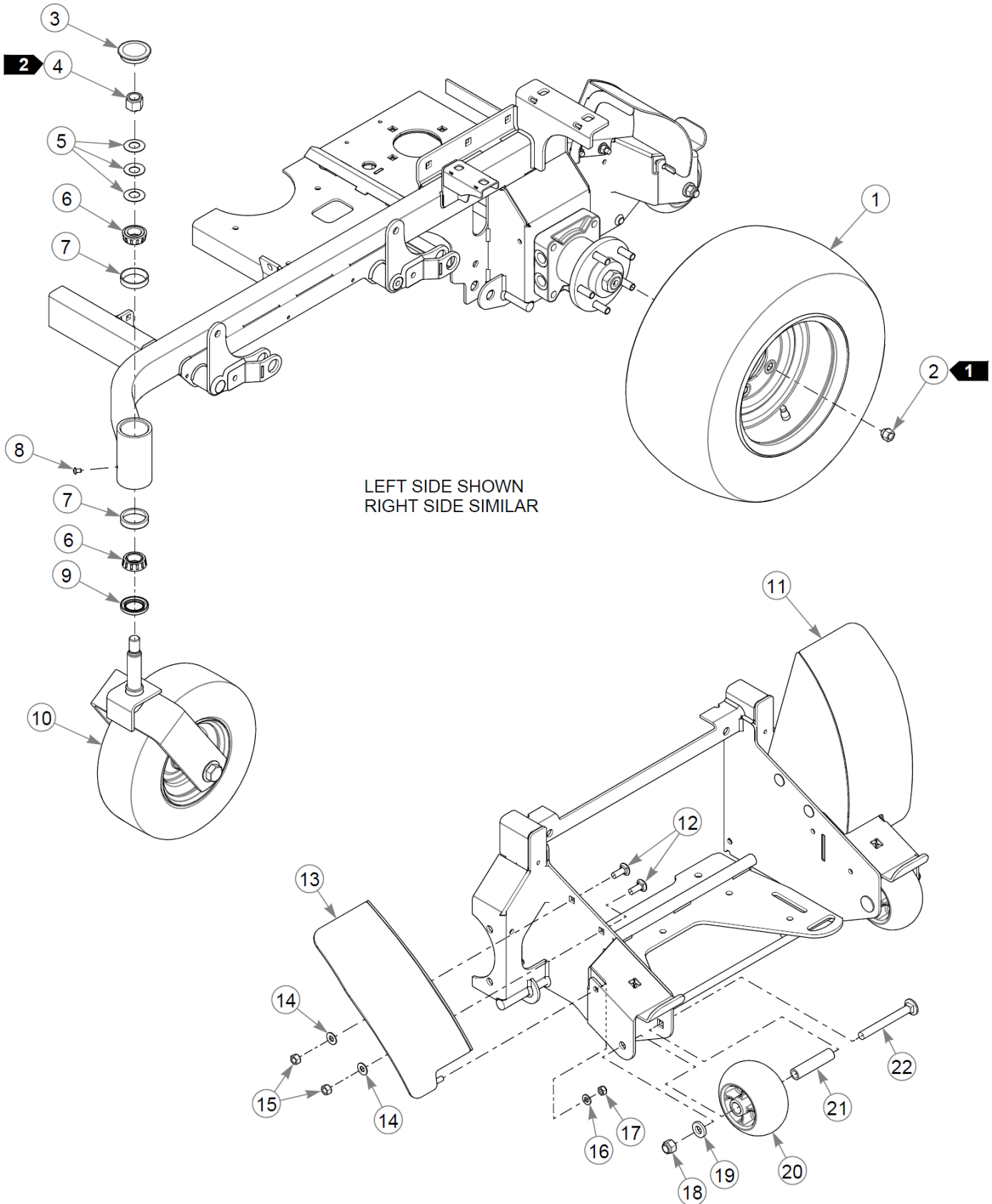


Steering (Multi-Page)

Élément	Numéro de pièce	Qté	Nom
1	553511	1	SVC, CONTROL TOWER
2	808485	7	RIVET NUT, 5/16-18 THRE
3	808477	4	RIVET NUT, 1/4-20 THREA
4	767962	6	FW .531 x 1.063 x .175
5	008193	6	NT .500-13HXG5
6	605869	6	CB 0.500-13 X 1.250 G5
7	120249	1	STOP-FWD W/A
8	767954	6	FW 0.379X.82X.06 HD ZN
9	055822	6	CS .375-16X0.75 HX G5 ZN
10	045088	1	HOSE CLAMP 1" (FS)
11	604816	4	CS .375-16X1.5 BH ZN
12	706168	2	NT .375-16JAMG5
13	120252	1	STOP-REAR W/A
14	054502	2	NT .375-16HXG5
15	768259	4	BUSHING,IGUS#0810 (FS)
16	606369	1	STEER LEVER W/ GRIP
Not Shown	605961	1	GRIP, STEER LEVER
17	024927	2	NT .250-20HXG5
18	768515	4	FW 0.281SAE
19	056077	2	CS .250-20X1.000HXG5
20	788554	2	LOCK COLLAR, .500x1.000
21	606368	1	STEER LEVER W/ GRIP
Not Shown	605961	1	GRIP, STEER LEVER
22	121930	1	W/A, STEERING PIVOT
23	064014	1	CS .312-18X0.875HXG5
24	605325	2	SWITCH, PROX
25	059832	4	NT #10-24 HX NL ZN
26	063198	4	CS #10-24X0.750FLKG5
27	058776	2	NT .312-18NLG5
28	768523	8	FW 0.343SAE
29	064345	2	CS .312-18X2.000HXG5
30	606285	2	SPACER, .375X.625X.800
31	606280	1	PUMP ADJUSTMENT ROD
32	606281	1	PUMP ADJUSTMENT ROD
33	023655	2	NT 0.312-24 NL G8
34	000331	4	WIRE TIE, SMALL/SHORT

Brake

Élément	Numéro de pièce	Qté	Nom
1	606258	1	GRIP, PARK BRAKE
2	123269	1	W/A PARK BRAKE HANDLE
3	765339	2	BUSHING,IGUS#0608 (FS)
4	122582	1	PULL LINK
5	000174	1	CE .375X1.25 .156X1.09
6	017244	2	CP .125DX1.000 LG HML Z
7	768259	2	BUSHING,IGUS#0810 (FS)
8	601822	1	NUT PLATE, .420 CENTERS
9	553516	1	SVC, PARK BRAKE BRKT
10	601906	1	DECAL, PARK BRAKE
11	603113	7	CB .375-16X1.250 G5 ZN
12	602538	1	SWITCH PLUNGER, NC/NO
13	063198	2	CS #10-24X0.750FLKG5
14	606288	1	SB 0.500 0.500 X 17.50
15	086660	8	NT .375-16NLG8
16	767954	8	FW 0.379X.82X.06 HD ZN
17	767962	4	FW .531 x 1.063 x .175
18	781567	2	NT .500-13NLG5
19	606299	2	TEETH PLT PARK BRAKE
20	606302	1	W/A, TREADLOCK
21	074252	2	CS .500-13X1.50 HX G5 ZN
22	058776	2	NT .312-18NLG5
23	768523	2	FW 0.343SAE
24	037887	2	CB .312-18X 1.000 FUL ZN
25	606303	1	BRAKE LINK W/A
26	781302	1	IDLER SPRING
27	712919	1	FW 0.406X1.00X.12 HD ZN



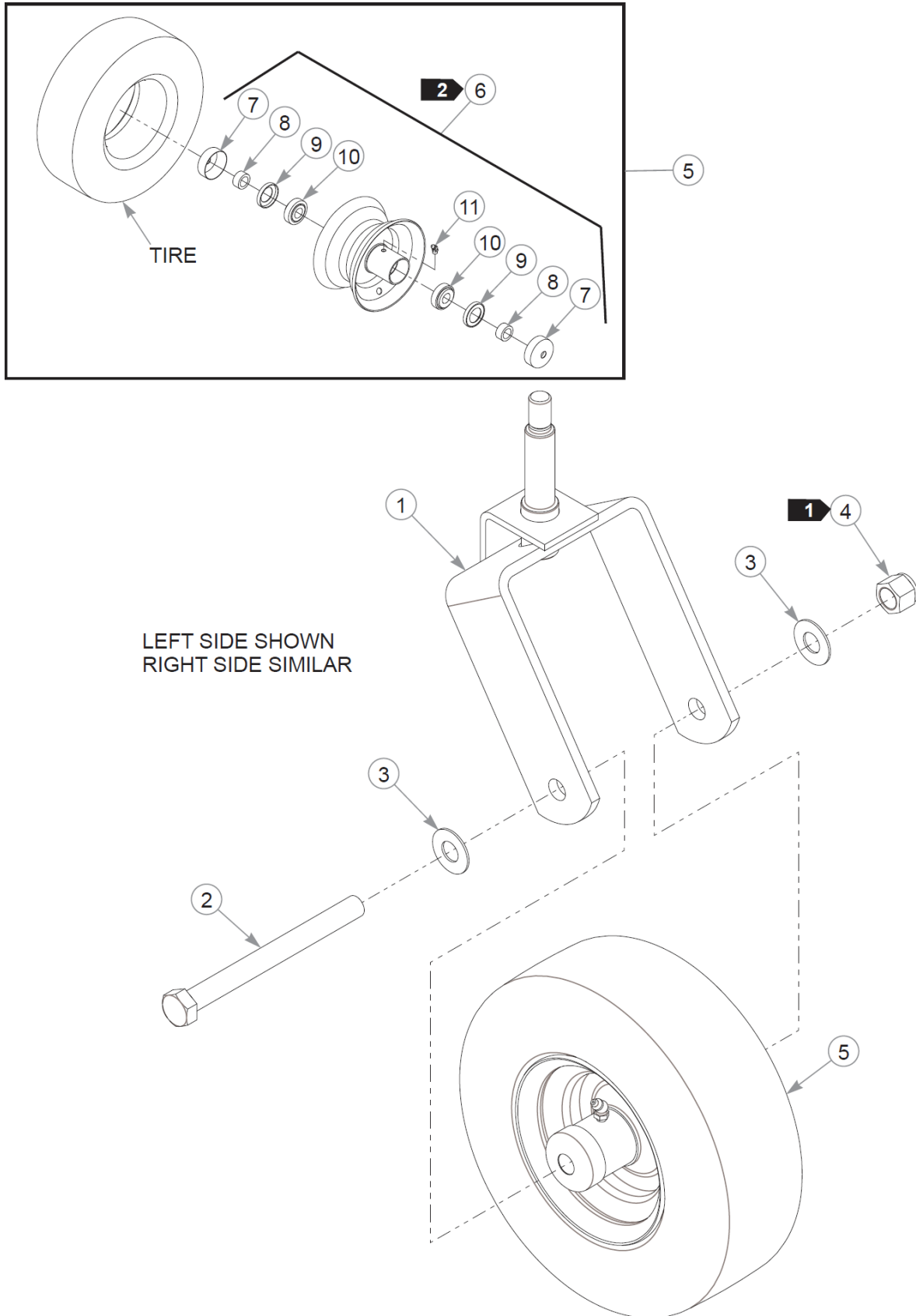
Wheels, Tires & Fenders

Élément	Numéro de pièce	Qté	Nom
1	606013	2	TIR/WHL 20X10.00-10 SLV
2	061077	10	WHEEL NUT
3	606711	2	DUST CAP
4	061101	2	NT .750-10 HX ZN NL GR B
5	606715	6	CW 0.766 X 1.50 X .093
6	606712	4	BEARING, TAPERED ROLLER
7	606713	4	RACE, TAPERE ROLLER
8	606817	2	GREASE PLUG
9	606714	2	SEAL, 1.25 X 1.98
10		2	REFER TO "FRONT TIRE ASSEMBLY BREAKDOWN"
11	122576	1	FENDER W/A
12	025395	4	CB .375-16X 1.00 G5 ZN
13	122572	1	FENDER W/A
14	767954	4	FW 0.379X.82X.06 HD ZN
15	054502	4	NT .375-16HXG5
16	768523	2	FW 0.343SAE
17	058776	2	NT .312-18NLG5
18	781567	2	NT .500-13NLG5
19	767962	2	FW .531 x 1.063 x .175
20	602263	2	WHEEL, ANTI-SCALP
21	602345	2	SPACER, ANTI-SCALP 3.22
22	602339	2	CB .50-13 X 4.50 STD ZN

Comments for Page: Wheels, Tires & Fenders

1. Torque to 88–102 N•m. 2. Torque to 54 N•m, then back off ¼ turn. Reference the General Service Manual for bearing maintenance procedures.

Front Wheel Assembly Breakdown

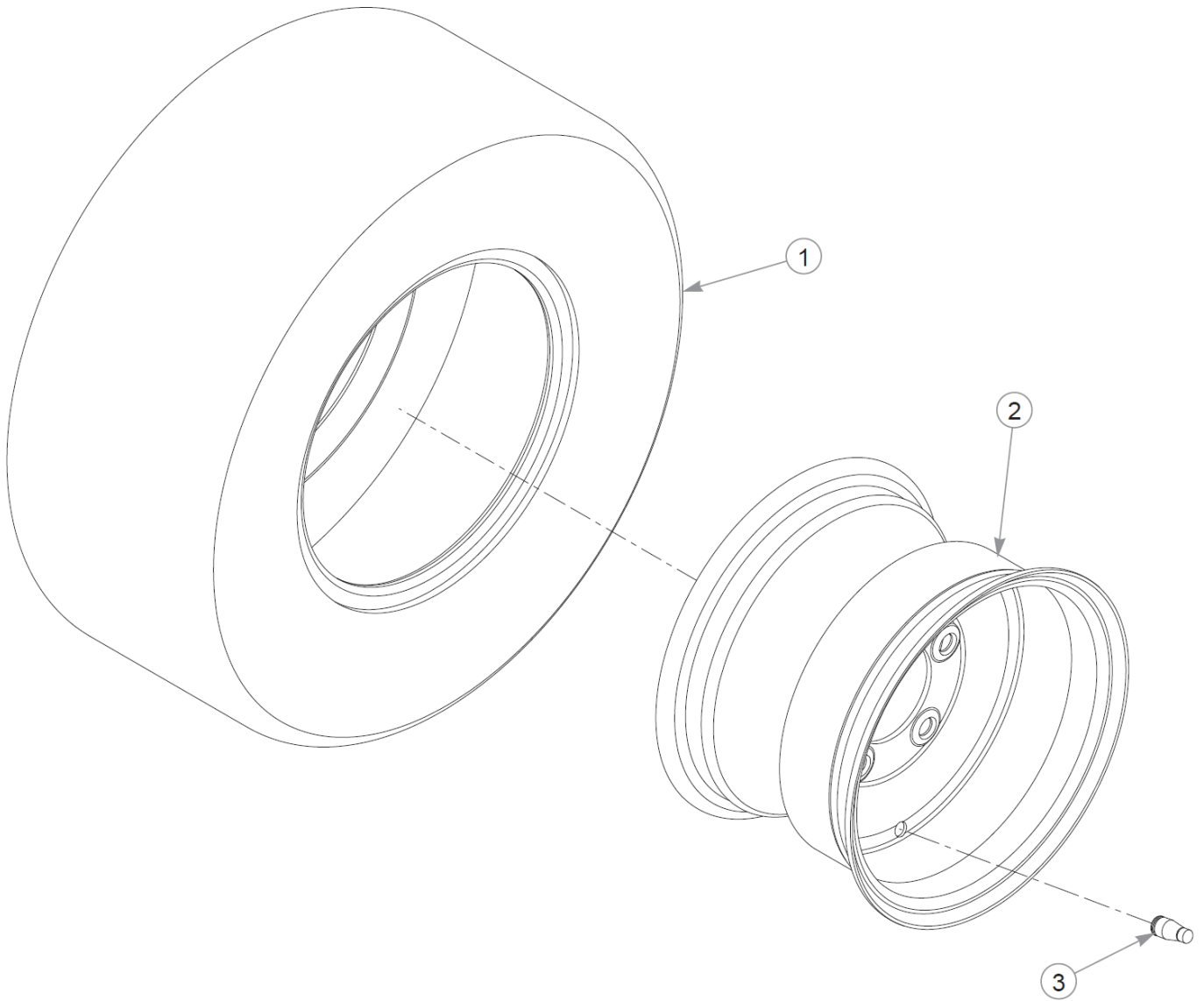


Front Wheel Assembly Breakdown

Élément	Numéro de pièce	Qté	Nom
1	123651-1	1	W/A, CASTER FORK
2	786731	1	CS .750-10X8.000HXG5
3	025296	2	FW .760X1.63X0.08 ZN
4	061101	1	NT .750-10 HX ZN NL GR B
5	606742	1	TIR/WHL 13X5.00-6 SLV
6	606749	1	WHL 6X3.25 SLV
7	606815	2	DUST CAP, 0.752 ID
8	606778	2	SPACER, 0.531
9	606780	2	SEAL
10	606753	2	BEARING, TAPERED ROLLER
11	606777	1	GREASE FITTING

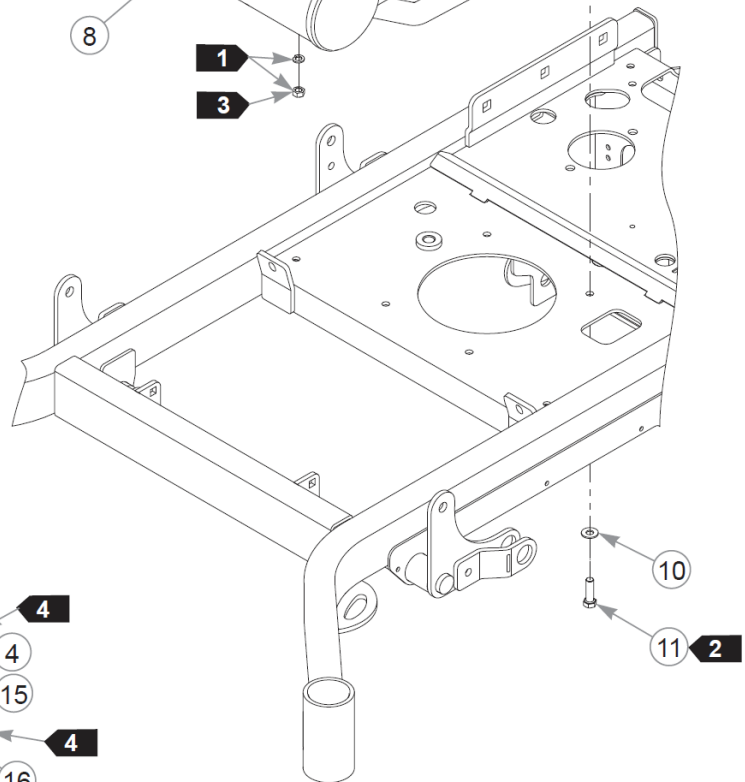
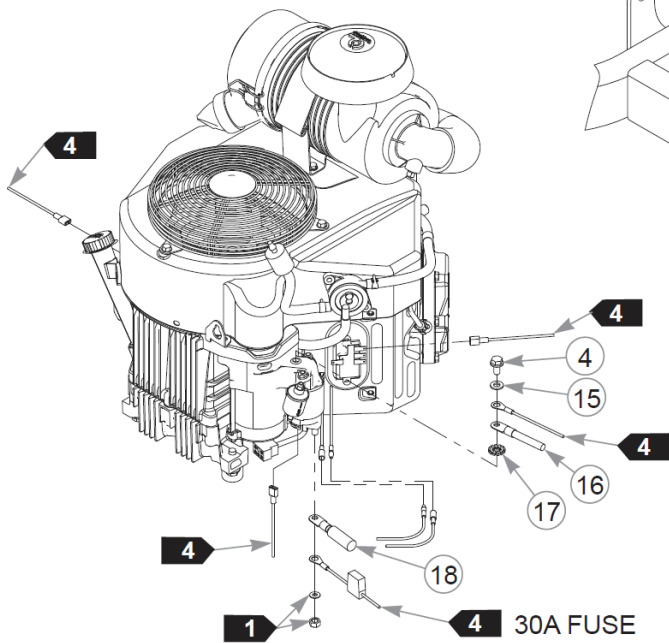
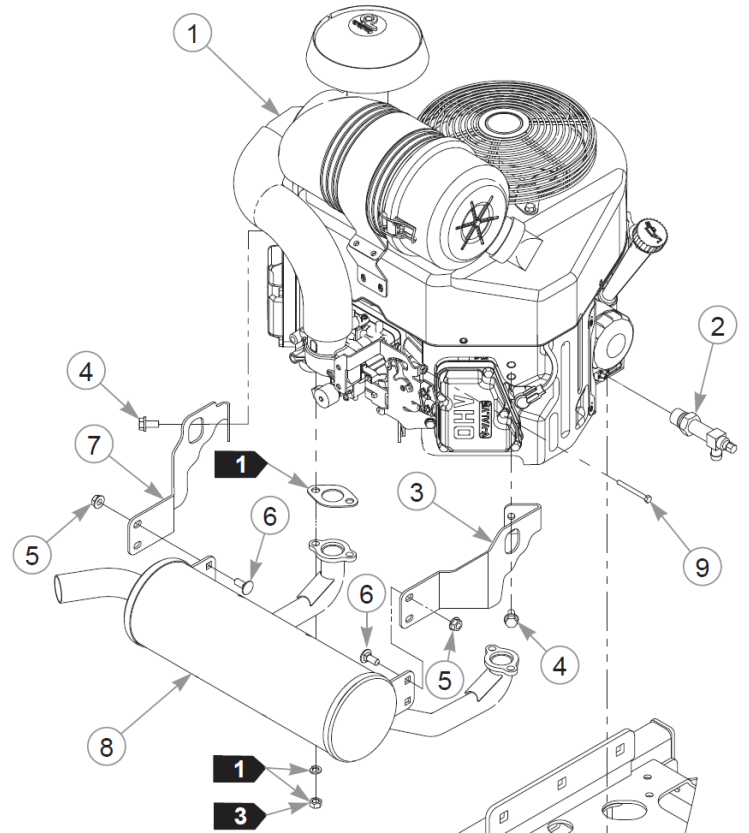
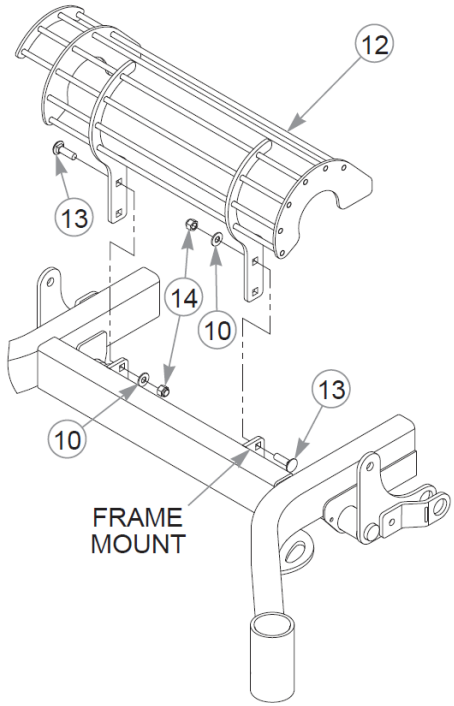
Comments for Page: Front Wheel Assembly Breakdown

1. Tighten, then back off the nut until the wheel spins freely. 2. Refer to the General Service Manual for wheel bearing service procedures. The wheel assembly (606749) includes items 7-11.



Drive Wheel Breakdown - 606013

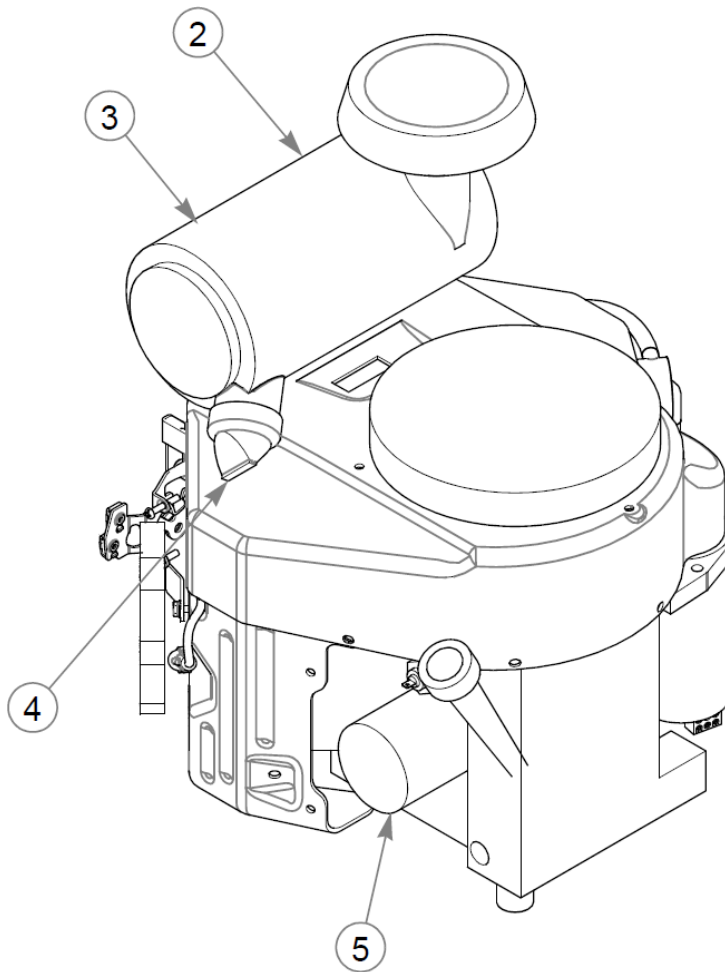
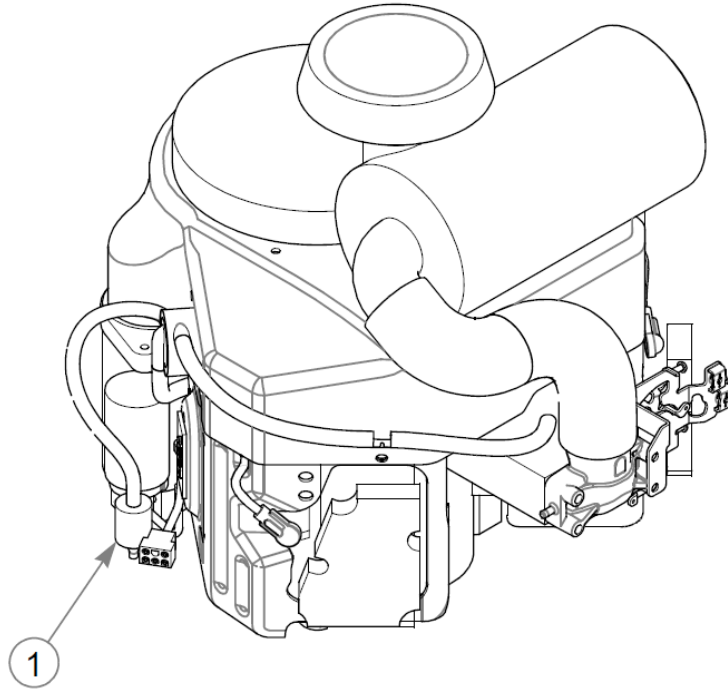
Élément	Numéro de pièce	Qté	Nom
Not Shown	606013	1	TIR/WHL 20X10.00-10 SLV
1	600684	1	TIR 20X10.00-10 B4R GRMR
2	606255	1	WHEEL, 10X7
3	019521	1	TIRE VALVE TR-412 GOODY



Élément	Numéro de pièce	Qté	Nom
1		1	KAWASAKI FX691V ENGINE
2	796524	1	VALVE,OIL DRAIN M20x2.5
3	122340	1	STAY, MUFFLER
4	720516	5	CS M8-1.25X16HX FL10.9
5	016832	4	NT .312-18FLKG5
6	016253	4	CB .312-18X .750 FUL ZN
7	122341	1	STAY, MUFFLER
8	606043	1	MUFFLER, FX730V
9	603524	1	CS M5-0.8 X 50 MM
10	767954	8	FW 0.379X.82X.06 HD ZN
11	602580	4	CS .375-16X1.25HXG8ZYP85
12	125210-3	1	MUFFLER GUARD
13	603113	4	CB .375-16X1.250 G5 ZN
14	086660	4	NT .375-16NLG8
15	768523	1	FW 0.343SAE
16	780015	1	BATTERY CABLE, (-) ES W
17	029876	1	LW .312 INTEXT ZN
18	602099	1	BATTERY CABLE, POS.

Comments for Page: Engine, Muffler & Muffler Guard

1. Supplied with the engine.
2. Torque to 12 ft-lbs plus 60° rotation of the cap screw head.
3. Torque to 17 ft-lbs.



Élément	Numéro de pièce	Qté	Nom
1	068478	1	FUEL FILTER - IN LINE
2	785261	1	AIR FILTER - MAIN
3	785279	1	AIR FILTER - SAFETY
4	763318	1	VALVE, VACUATOR
5	602581	1	ENGINE OIL FILTER

Fuel System

Élément	Numéro de pièce	Qté	Nom
1	055947	4	CS .250-20X0.50 HX G5 ZN
2	768515	4	FW 0.281SAE
3	122115	1	FUEL TANK COVER PLATE
4	603807	1	CAP, 3.5" RATCHETING GAS
5	605908	1	FUEL TANK
6	122671	1	TANK SPACER W/A
7	767954	2	FW 0.379X.82X.06 HD ZN
8	052860	2	CS .375-16X1.25 HX G5 ZN
9	768523	4	FW 0.343SAE
10	604251	2	NT .312-18 HXNL JAM G2ZN
11	712919	4	FW 0.406X1.00X.12 HD ZN
12	055822	4	CS .375-16X0.75 HX G5 ZN
13	064014	2	CS .312-18X0.875HXG5
14	000323	4	CLIP, HOSE CLAMP
15	603326	170 cm	VAPOR LINE, 3/16"
<p>Commentaires pour le numéro de pièce 603326</p> <p>Sold by the foot.</p>			
16	043570	2	CLIP - HOSE - SINGLE(FS)
17	016832	2	NT .312-18FLKG5
18	605690	1	TEE, 3/16" PLASTIC
19	015818	69 cm	FUEL LINE, 1/4"
<p>Commentaires pour le numéro de pièce 015818</p> <p>Sold by the foot.</p>			
20	605601	1	FUEL SHUT-OFF VALVE
21	000331	4	WIRE TIE, SMALL/SHORT
22	604323	1	VAPOR SYSTEM FILTER
23	603112	1	CLAMP, 3/16 FUEL
24	033001	6 cm	FLEXIBLE TRIM UNI-GRIP
25	606052	1	DECAL, TANK

Comments for Page: Fuel System

FUEL, VAPOR LINE, & TRIM LENGTHS

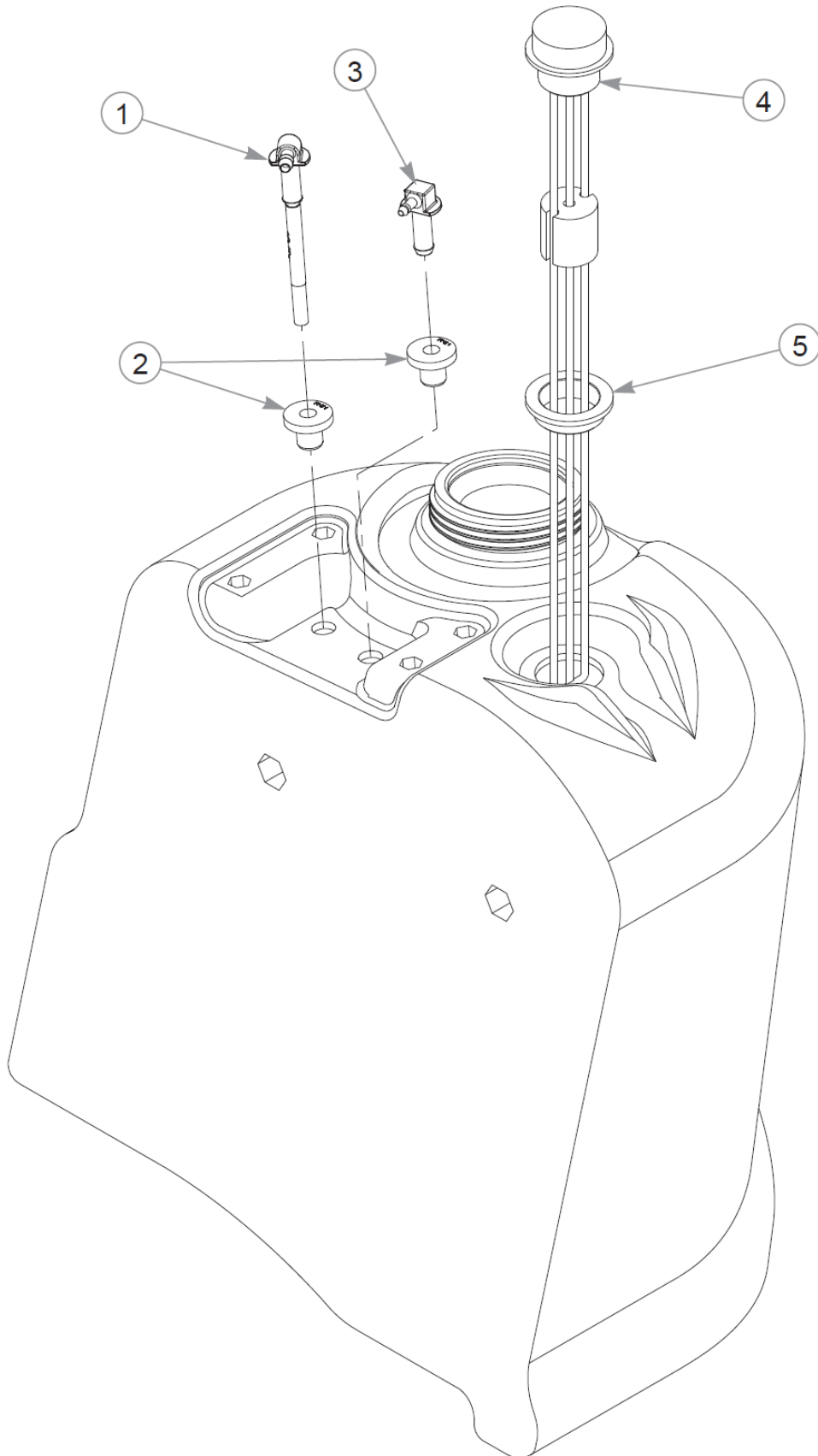
A: 38 cm TANK TO TEE (VAPOR)

Fuel System

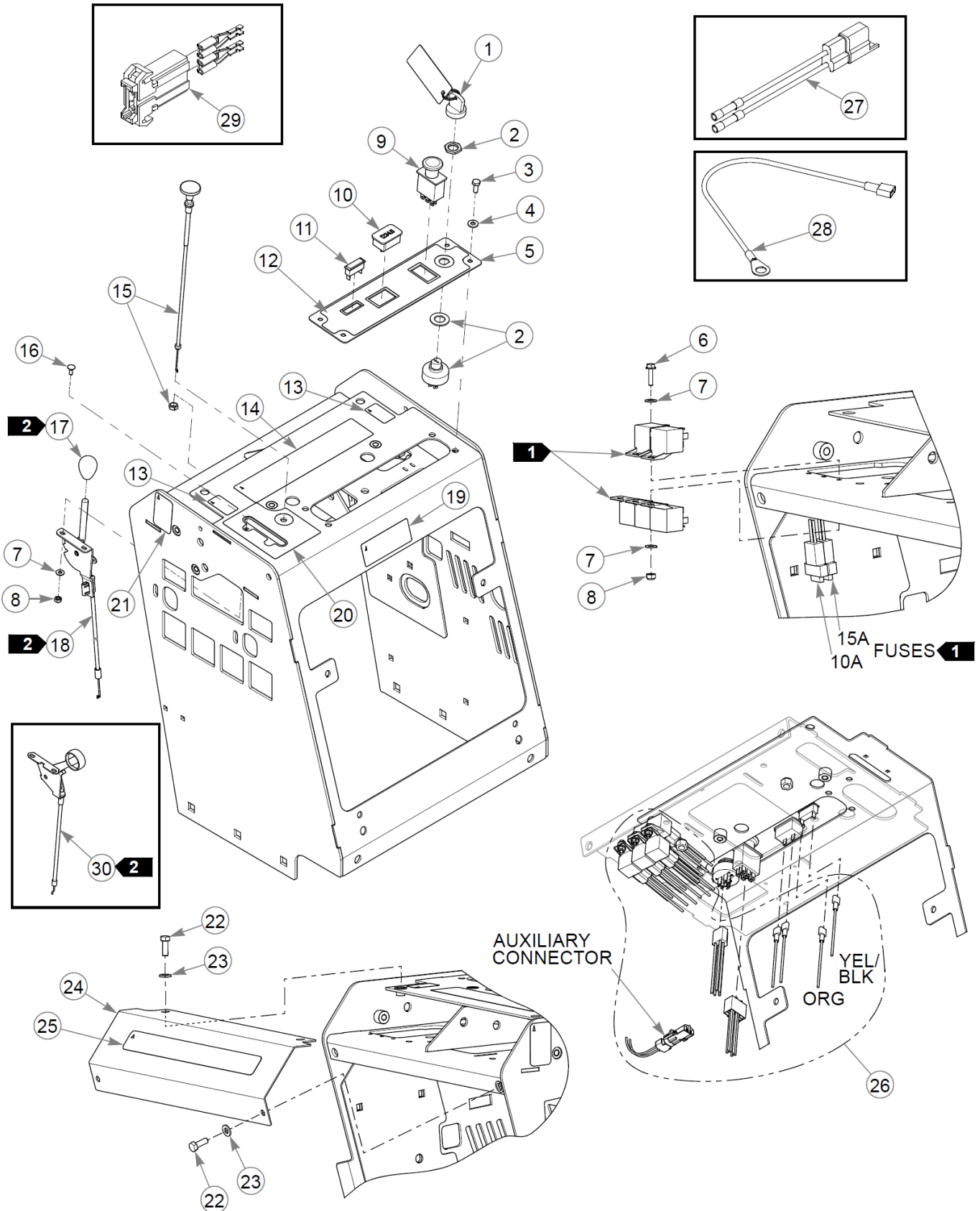
- B: 46 cm TEE TO FILTER (VAPOR)
- C: 86 cm TEE TO ENGINE (VAPOR)
- D: 64 cm TANK TO VALVE (FUEL)
- E: 5 cm VALVE TO FILTER (FUEL)
- F: 6 cm TRIM

1. Torque to 9 N•m.
2. Torque to 22 N•m.

Cette page intentionnellement laissée vierge



Élément	Numéro de pièce	Qté	Nom
Not Shown	605908	1	FUEL TANK
1	605156K	1	SUCTION HOSE SVC KIT
2	604200K	2	GROMMET SVC KIT
3	604287K	1	VENT FITTING SVC KIT
4	606055K	1	FUEL GAUGE SVC KIT
5	603838K	1	SVC KIT, TANK GROMMET

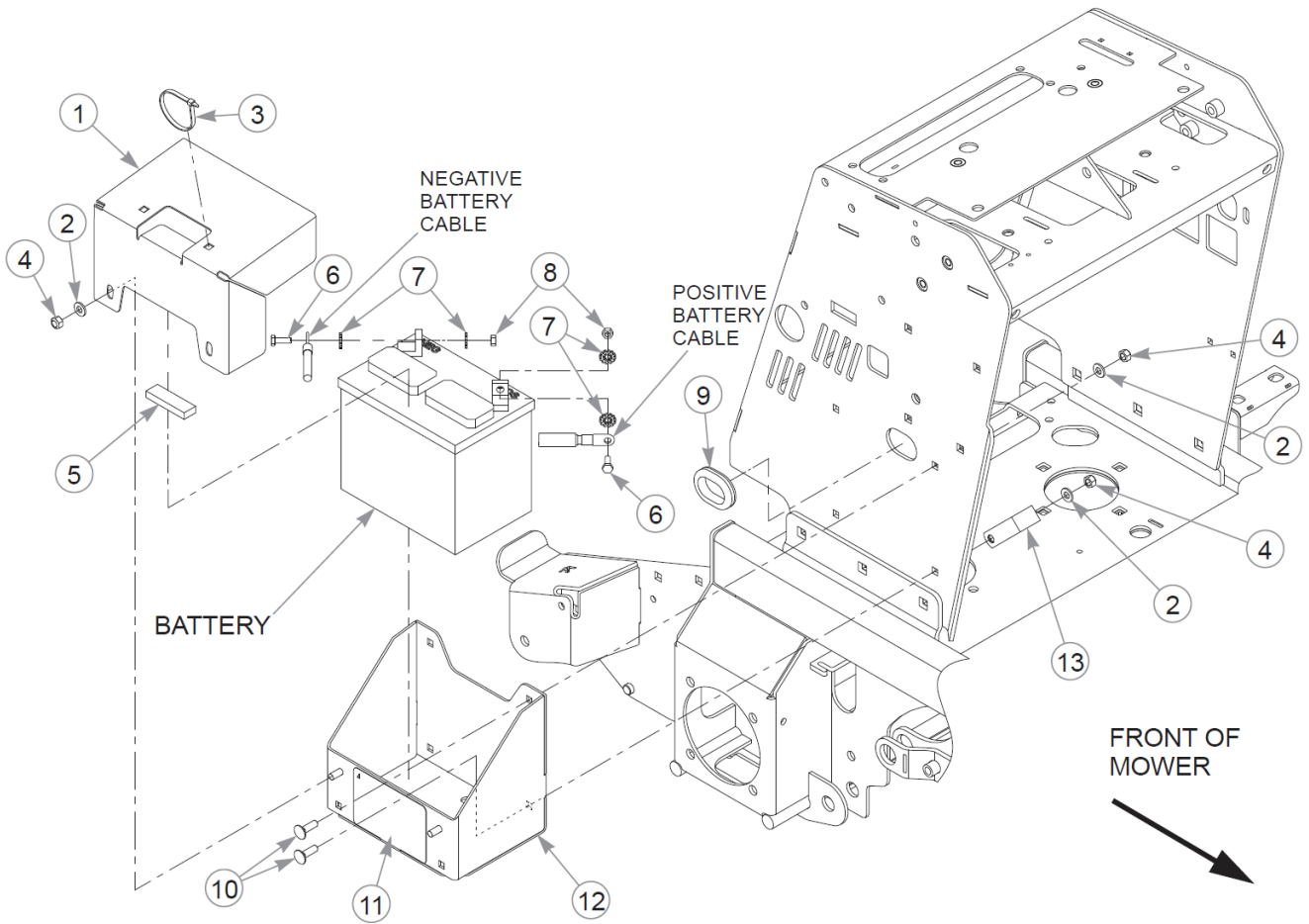


Élément	Numéro de pièce	Qté	Nom
1	785808	1	KEY ASSEMBLY
2	045898	1	IGNITION SWITCH
3	064329	4	CS .250-20X0.625HXG5
4	768515	4	FW 0.281SAE
5	553513	1	SVC, INSTRUMENT PANEL
6	063198	3	CS #10-24X0.750FLKG5
7	704932	8	FW 0.219X.50X.05 ZN
8	059832	5	NT #10-24 HX NL ZN
9	776476	1	SWITCH, PTO 6201-321
10	769166	1	HOUR METER
11	712257	1	INDICATOR LIGHT, RED(FS)
12	606154	1	DECAL, INSTRUMENT PANEL
13	606218	2	DECAL, STEERING
14	606215	1	DECAL, SAFE OPERATION
15	601097	1	CABLE, CHOKE
16	601098	2	CB 10-24 X .500 ZYNC
17	603523	1	KNOB
18	603475	1	CABLE, THRTL 43"
19	601058	1	DECAL, HOT/SYN HYDRO OIL
20	606155	1	DECAL, INSTRUMENT PANEL
21	605688	1	DECAL, LEVEL FUEL FILL
22	064014	4	CS .312-18X0.875HXG5
23	768523	4	FW 0.343SAE
24	553515	1	SVC, COVER PANEL
25	602407	1	DECAL, HUSTLER ID
26	605911	1	WIRE HARNESS
27	114052	1	KIT, CLUTCH CONN. REP.
28	604430	1	WIRE HARNESS
29	601047	1	HOLDER, FUSE
30	778365	1	CABLE, THROTTLE

Comments for Page: Instrument Panel & Wire Harness

1. Part of the wire harness.
2. 603523 (knob) and 603475 (throttle cable) are used on mowers S/N 18122159 & higher. 778365 (throttle cable) is used on mowers prior to S/N 18122159.

Battery

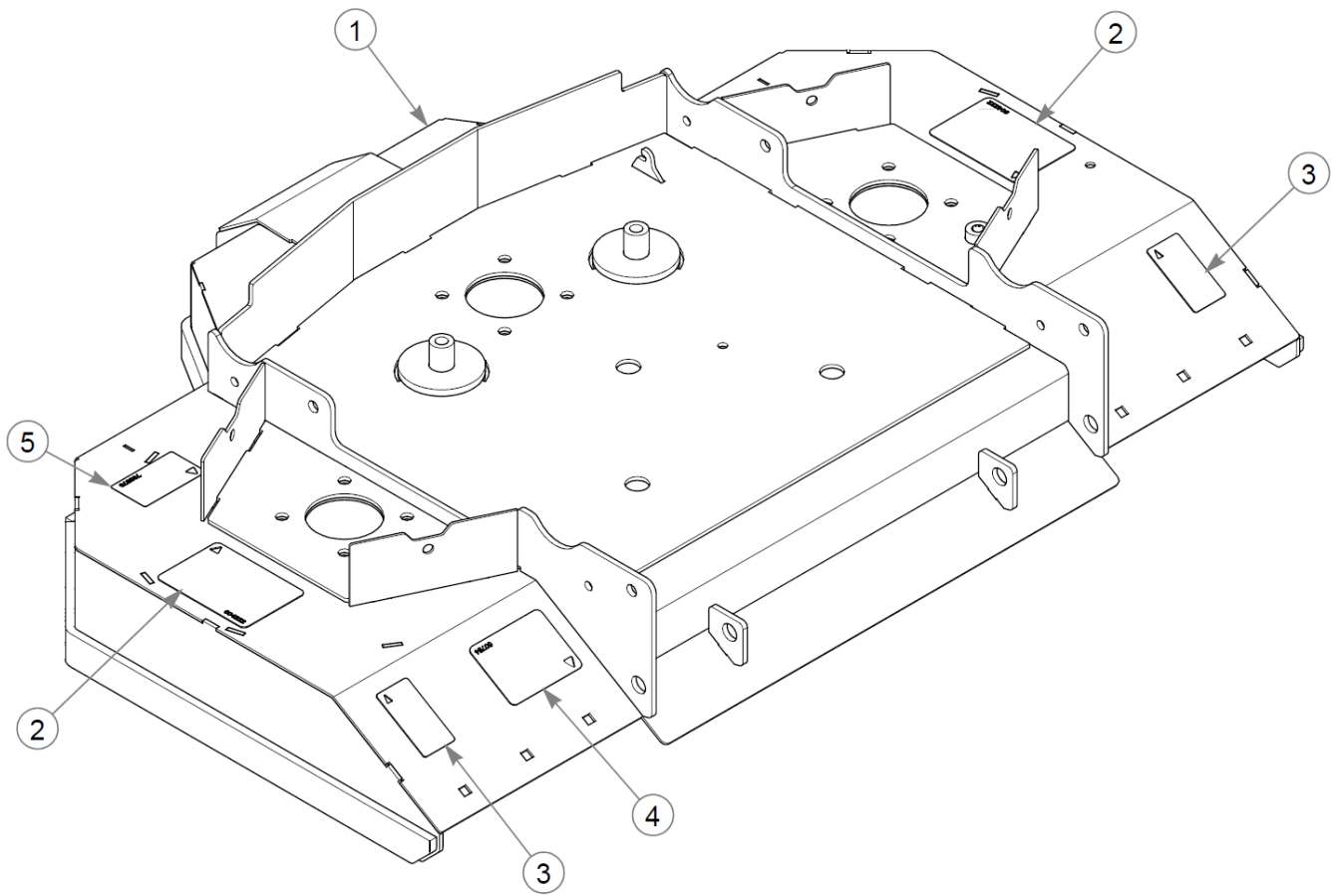


Battery

Élément	Numéro de pièce	Qté	Nom
1	122629	1	BATTERY COVER
2	768523	6	FW 0.343SAE
3	000331	1	WIRE TIE, SMALL/SHORT
4	058776	6	NT .312-18NLG5
5	713198	1	SEAL 3/8x3/4 SOLD BY FT
6	055939	2	CS .250-20X0.75 HX G5 ZN
7	029868	4	LW .250 INTEXT ZN
8	024927	2	NT .250-20HXG5
9	794644	1	GM 1.50 X 2.12 X 1.75
10	037887	4	CB .312-18X 1.000 FUL ZN
11	601815	1	DECAL, BATTERY WARNINGS
12	553517	1	SVC, BATTERY BOX
13	045088	1	HOSE CLAMP 1" (FS)

Comments for Page: Battery

1. When performing service on the mower, disconnect the negative (black) battery cable and do not reconnect it to the battery until ready to start the engine.

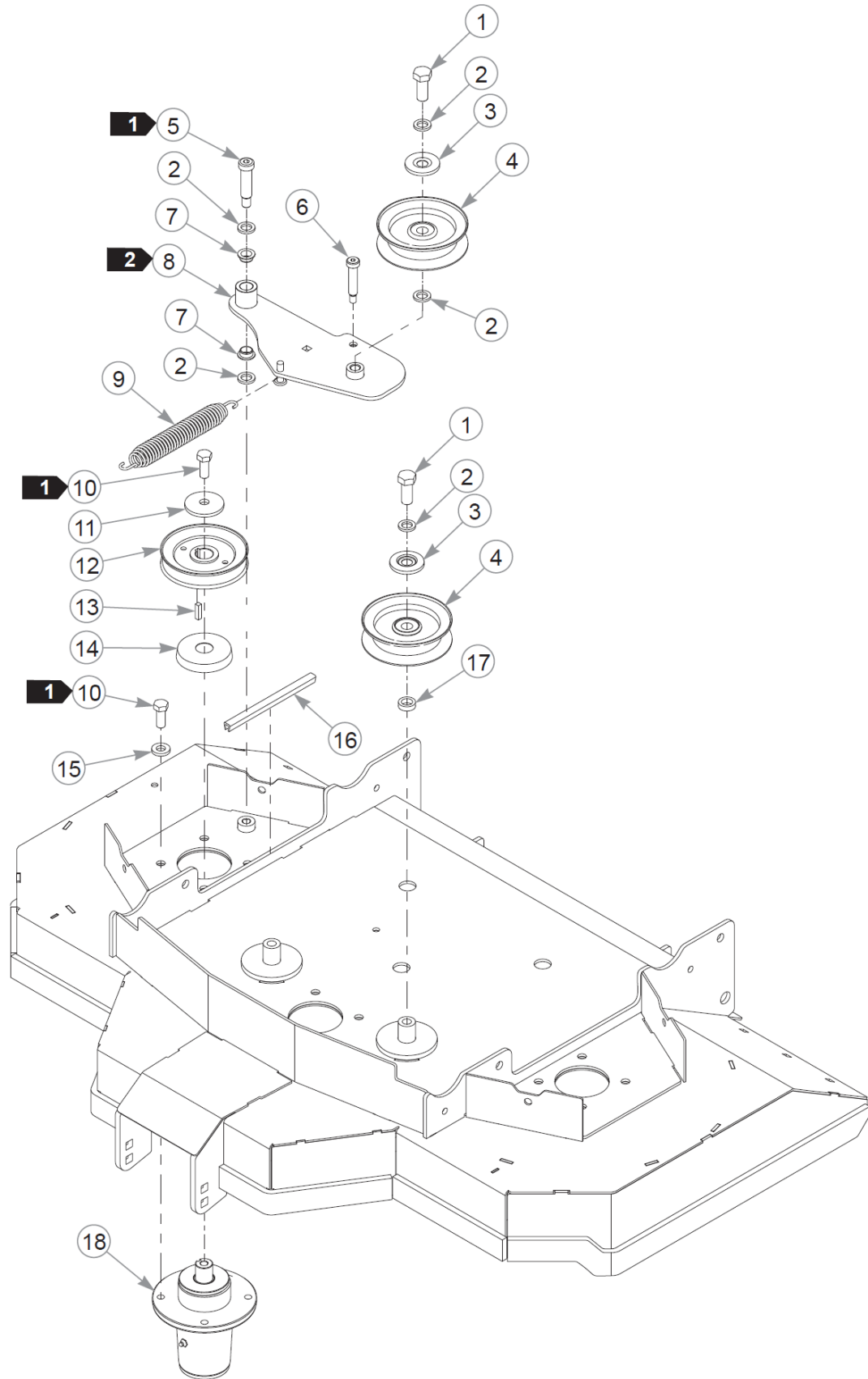


Service Deck

Élément	Numéro de pièce	Qté	Nom
1	554612	1	SVC, DECK DECAL ASSY
2	604222	2	DECAL, DANGER / OBJECTS
3	603391	2	DECAL, RUBBER FLAP
4	607114	1	DECAL, BELT ROUTING
5	793976	1	DECAL,48"DECK ID

Comments for Page: Service Deck

1. The deck includes the decals.

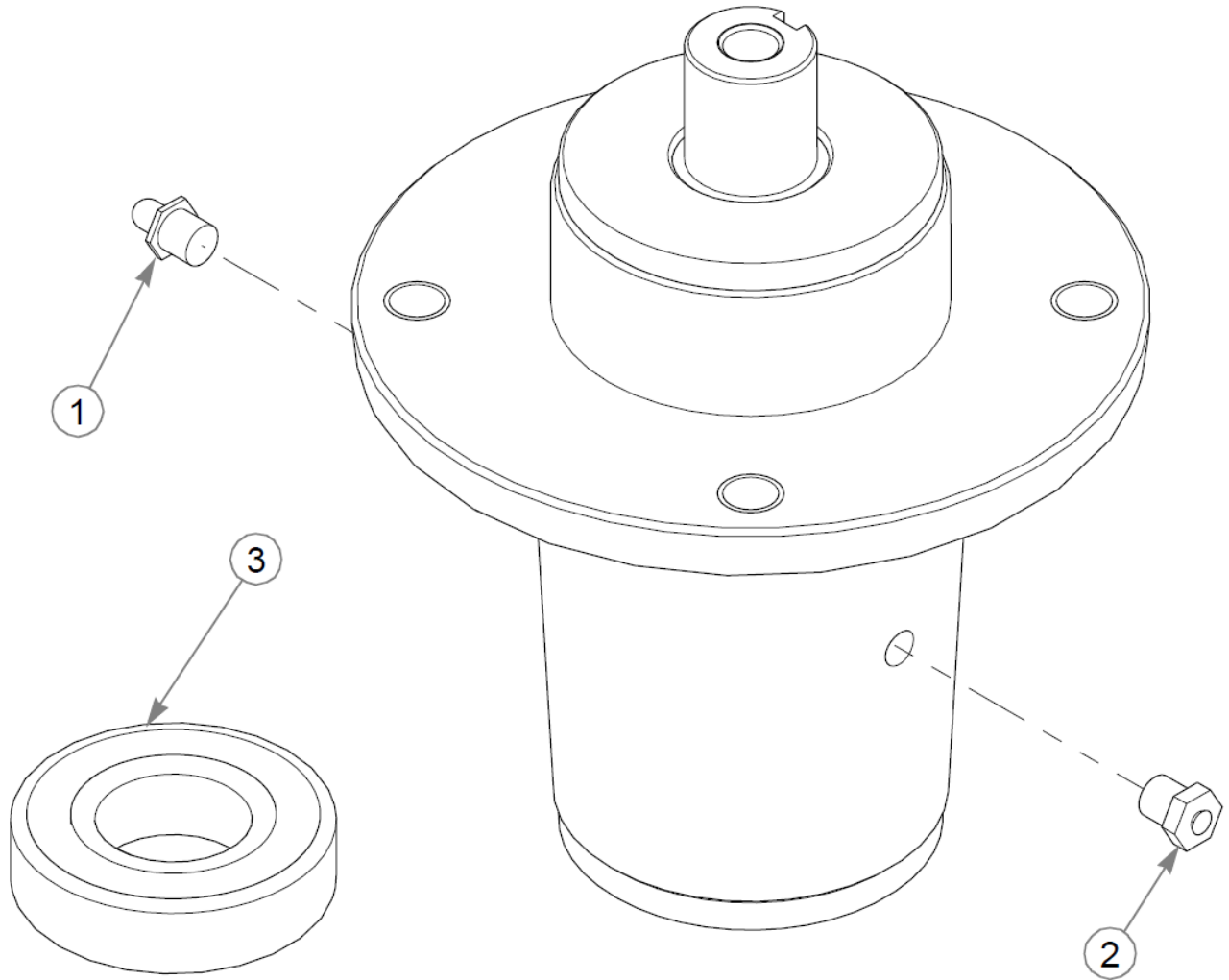


Deck Pulleys & Spindles

Élément	Numéro de pièce	Qté	Nom
1	794446	3	CS .625-11X1.500HXG5
2	028118	6	FW 0.625X1.00X.13 ZN
3	603057	3	DUST SHIELD W/OFFSET
4	603784	3	IDLER, FLAT 4.0" DEEP
5	606149	1	SB .625 X 2.00 SH.50-13
6	606386	1	SB 0.500 X 2.000
7	602539	2	BUSHING, .625 I.D.
8	124742-4	1	IDLER ARM W/A
9	607616	1	SPRING, DECK IDLER
10	705954	15	CS .500-13X1.25 HX G5 ZN
11	752386	3	CW .505 X 1.625 X .140
12	602842	3	PULLEY, DRIVE 5.187 OP
13	212472	3	KEY 1/4 SQ X 1.00 LG(FS)
14	607409-4	3	DUST SHIELD
15	767962	12	FW .531 x 1.063 x .175
16	606351	1	J-LEG, UHMW, .25"
17	600296	2	SPACER, DECK IDLER
18	607407	3	SPINDLE ASSY, DUCTILE

Comments for Page: Deck Pulleys & Spindles

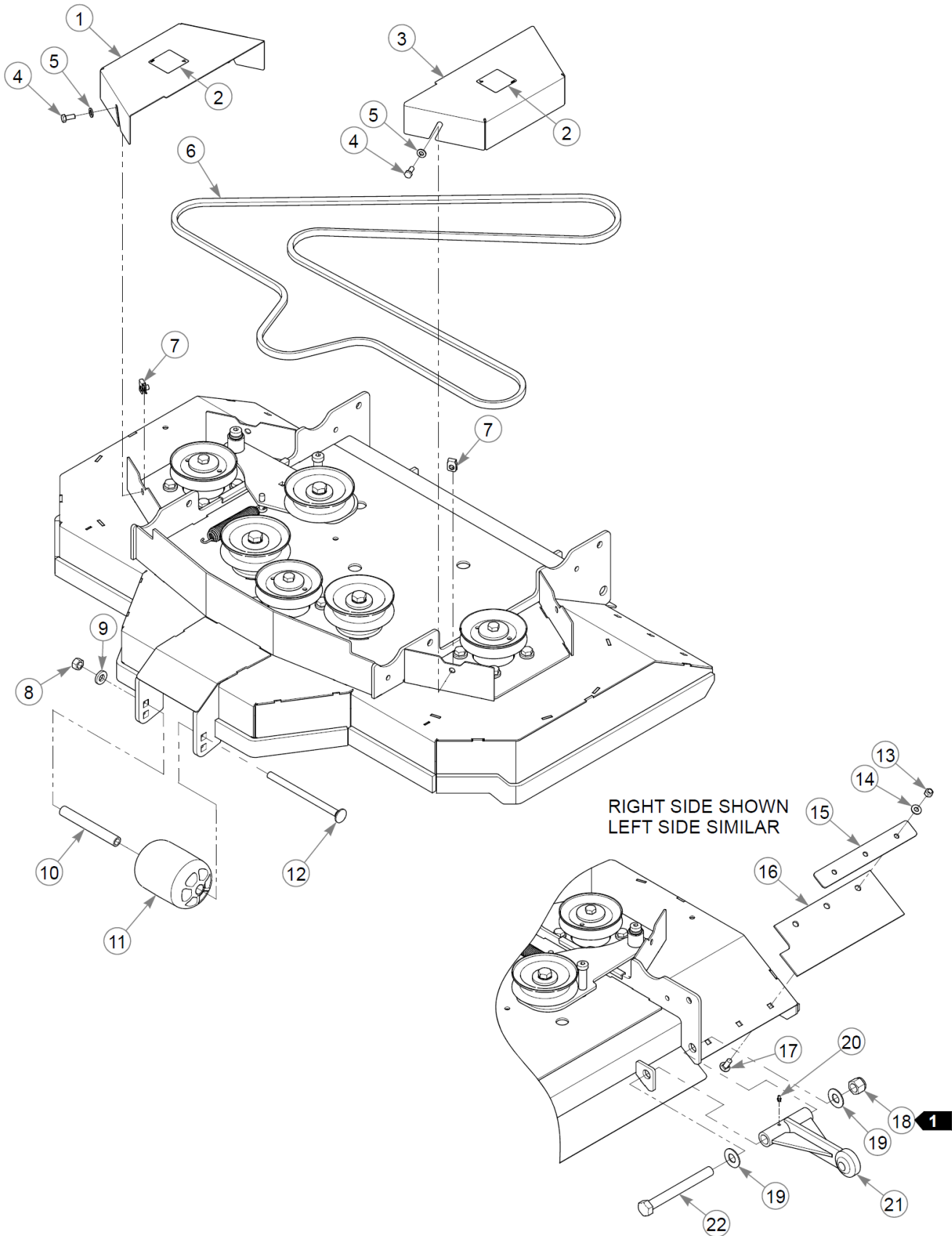
1. Torque to 91–99 N•m. 2. The idler arm must pivot freely.



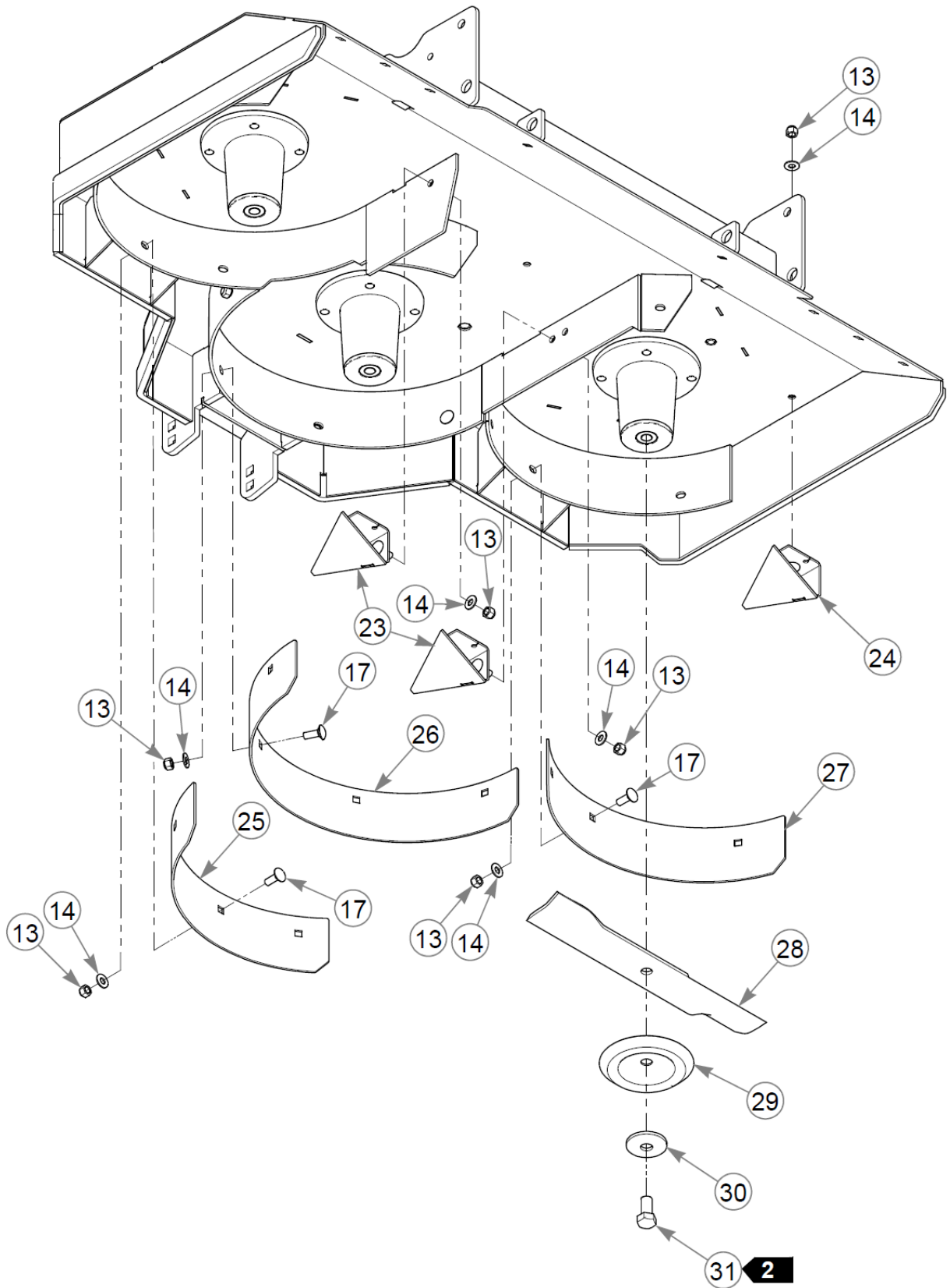
Spindle Assembly Service Parts - 607407

48" RD Super S Parts Manual - 938811CE - HTSUPR048KAWFX691VC

Élément	Numéro de pièce	Qté	Nom
1	607477	1	GREASE ZERK
2	607478	1	RELIEF FITTING
3	607955	2	BEARING



Cette page intentionnellement laissée vierge

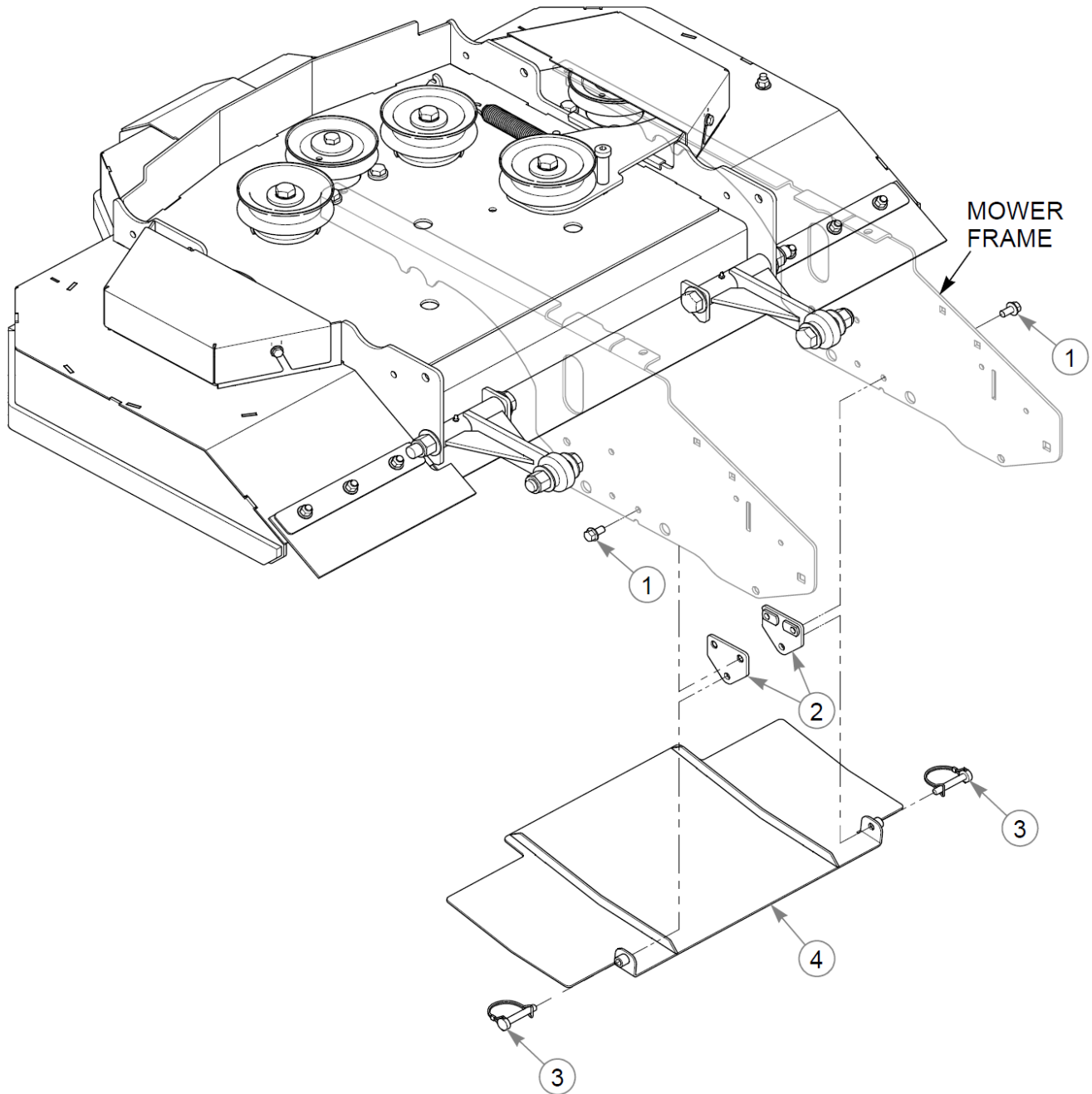


Élément	Numéro de pièce	Qté	Nom
1	554705	1	SVC, PULLEY COVER RH
2	602562	2	DECAL, NO SERVICE
3	554706	1	SVC, PULLEY COVER LH
4	034280	4	CS .312-18X0.750HXG5
5	768523	4	FW 0.343SAE
6	607126	1	BELT, B SECTION
7	601069	4	CN .312-18x.200 MAX THK
8	008193	1	NT .500-13HXG5
9	767962	1	FW .531 x 1.063 x .175
10	602344	1	SPACER, ANTI- SCALP 5.73
11	602341	1	WHEEL, ANTI-SCALP
12	602338	1	CB .50-13 X 7.50 STD ZN
13	086660	19	NT .375-16NLG8
14	767954	19	FW 0.379X.82X.06 HD ZN
15	124729-1	2	CLAMP PLATE
16	607062	2	RUBBER FLAP
17	025395	16	CB .375-16X 1.00 G5 ZN
18	061101	2	NT .750-10 HX ZN NL GR B
19	025296	4	FW .760X1.63X0.08 ZN
20	015495	2	GREASE FITTING STRAIGHT
21	124730-4	2	PUSHER W/A
22	607117	2	CS .750-10 X 7.0 G5 ZN
23	124737-1	2	RAMP W/A
24	124740-1	1	RAMP W/A RH
25	124779-1	1	WRAPPER EXT, LH
26	124736-1	1	WRAPPER EXT, CENTER
27	124735-1	1	WRAPPER EXT, SIDE
28	601123	3	BLADE, 16.50"-L-F-CW
29	114988	3	SHIELD, BLADE BOLT
30	782474	3	CW .678 X 2.250 X .187
31	781872	3	CS .625-11X1.250HXG5

Comments for Page: Deck Belt, Covers, Blades (Multi-Page)

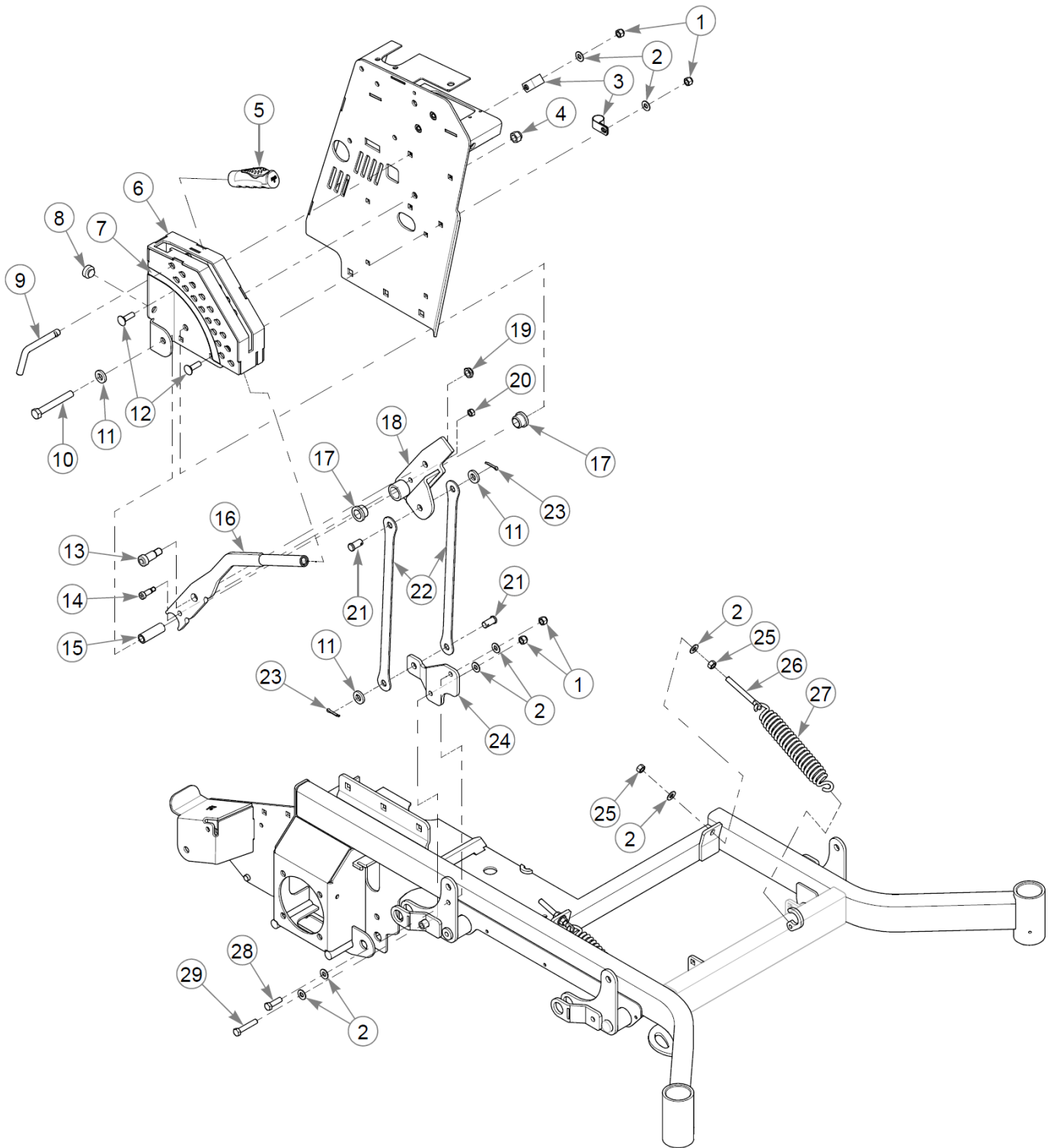
1. Tighten to remove play on the cap screw. The pusher must rotate freely.
2. Torque to 160 N•m.
3. The pulleys covers include the decals.

Dust Shield

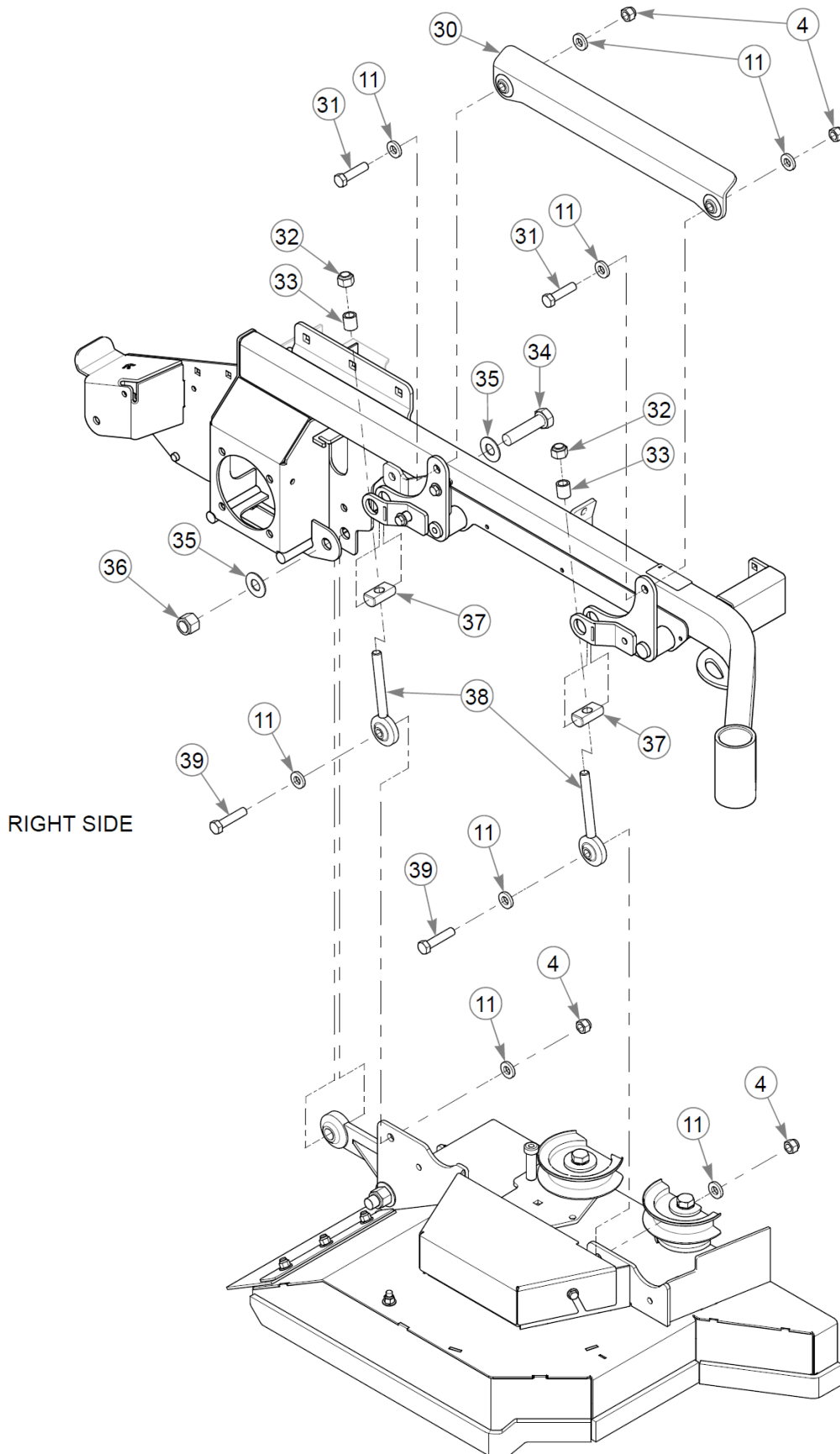


Dust Shield

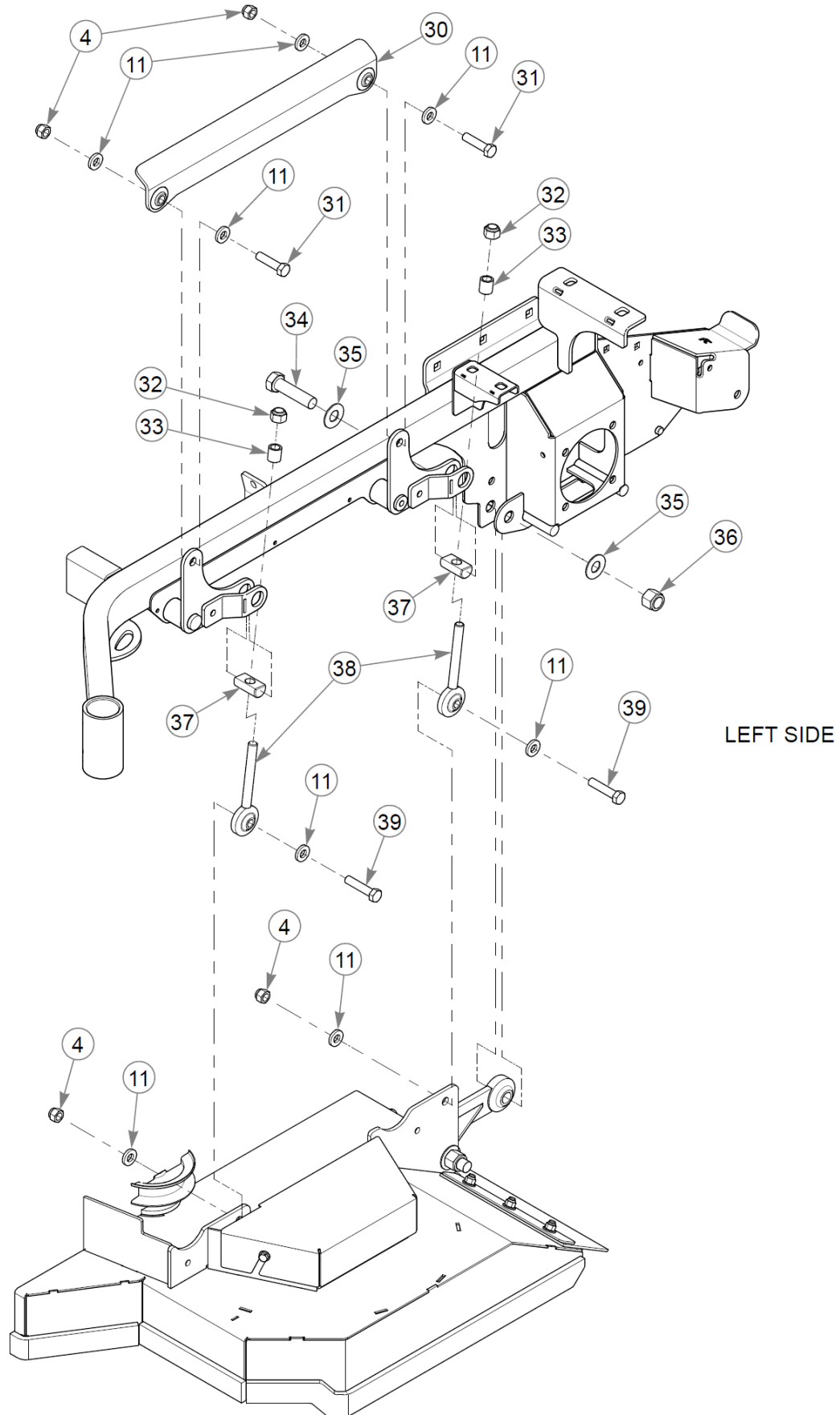
Élément	Numéro de pièce	Qté	Nom
1	029629	4	CS .375-16X0.75 HXF G5ZN
2	124748-1	2	PIVOT BRKT W/A
3	604803	2	CE .375 x 2.00 W/BALE
4	124745-1	1	BELLY PAN W/A



Cette page intentionnellement laissée vierge



Cette page intentionnellement laissée vierge



Deck Lift & Mounting Hardware (Multi-Page)

48" RD Super S Parts Manual - 938811CE - HTSUPR048KAWFX691VC

Élément	Numéro de pièce	Qté	Nom
1	086660	6	NT .375-16NLG8
2	767954	12	FW 0.379X.82X.06 HD ZN
3	043570	2	CLIP - HOSE - SINGLE(FS)
4	781567	9	NT .500-13NLG5
5	606257	1	GRIP, DECK LIFT
6	554484	1	SVC, DECK HEIGHT BRKT
7	607115	1	DECAL, DECK HEIGHT
8	781880	1	BUMPER, .500x 1.00x .31
9	604076	1	PIN, DECK HEIGHT STOP
10	068023	1	CS .500-13X3.75 HX G8 ZN
11	767962	19	FW .531 x 1.063 x .175
12	603113	4	CB .375-16X1.250 G5 ZN
13	606359	1	SB .625X 1.000 SH .500-1
14	032581	1	SB .375X .750 SH.312-18
15	606343	1	DECK LEVEL SPACER
16	124134-4	1	DECK LIFT HANDLE W/A
17	608000	2	BUSHING
18	123923-1	1	TRANSPORT LATCH PIVOT
19	707398	1	NT .500-13 JAM NY LK
20	058776	1	NT .312-18NLG5
21	047993	2	CE .500X1.00 .150X .85
22	122615	2	DECK LIFT LINK
23	017251	2	CP .156DX1.000 LG HML Z
24	122605	1	DECK LIFT PLATE
25	054502	4	NT .375-16HXG5
26	601486	2	EB, .375-16X3.00 FULTHD
27	606355	2	SPRING, EXT 7.00 112LBS
28	052860	1	CS .375-16X1.25 HX G5 ZN
29	016410	1	CS .375-16X2.000HXG5
30	606294	2	DECK LIFT LINK, W/A
31	078949	4	CS .500-13X2.000 FUL HX
32	606316	4	NT 0.563-18 NLGC
33	606292	4	DECK LEVEL SPACER
34	051169	2	CS .750-10X3.000HXG5
35	025296	4	FW .760X1.63X0.08 ZN
36	061101	2	NT .750-10 HX ZN NL GR B

Cette page intentionnellement laissée vierge

Élément	Numéro de pièce	Qté	Nom
37	606291	4	DECK LEVEL PIVOT
38	606290	4	W/A DECK LEVEL ROD END
39	761544	4	CS .500-13X2.250HXG8

Comments for Page: Deck Lift & Mounting Hardware (Multi-Page)

1. The deck height indicator includes the decal.