

OREC

ISSUED NO. RM97EU-1

Parts catalogue

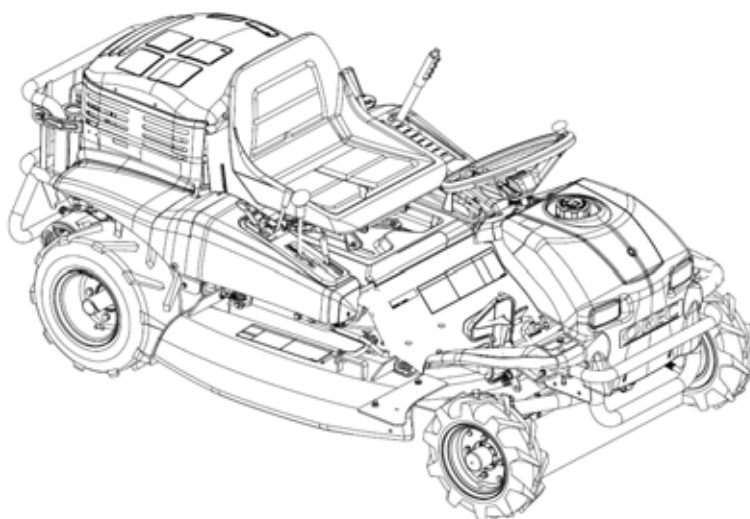
Rabbit Mower

(EXPORT MODEL)

RM97

MODEL
RM97

CODE
0292-



CONTENTS	
FRAME	1-12
TRANSMISSION	13-21
HST	22-23
HANDLE	24-26
FRONT	27-30
CONTROL	31-35
CUTTING	36-42
SEAT	43-45
ENGINE	46-50

OREC CO.,LTD

Update : Feb 2011

En un coup d œil de sylvain.g

Huile hydraulique HV 68

Huile de boîte 80/90

kit couteaux + visserie complet -- 0244-78010

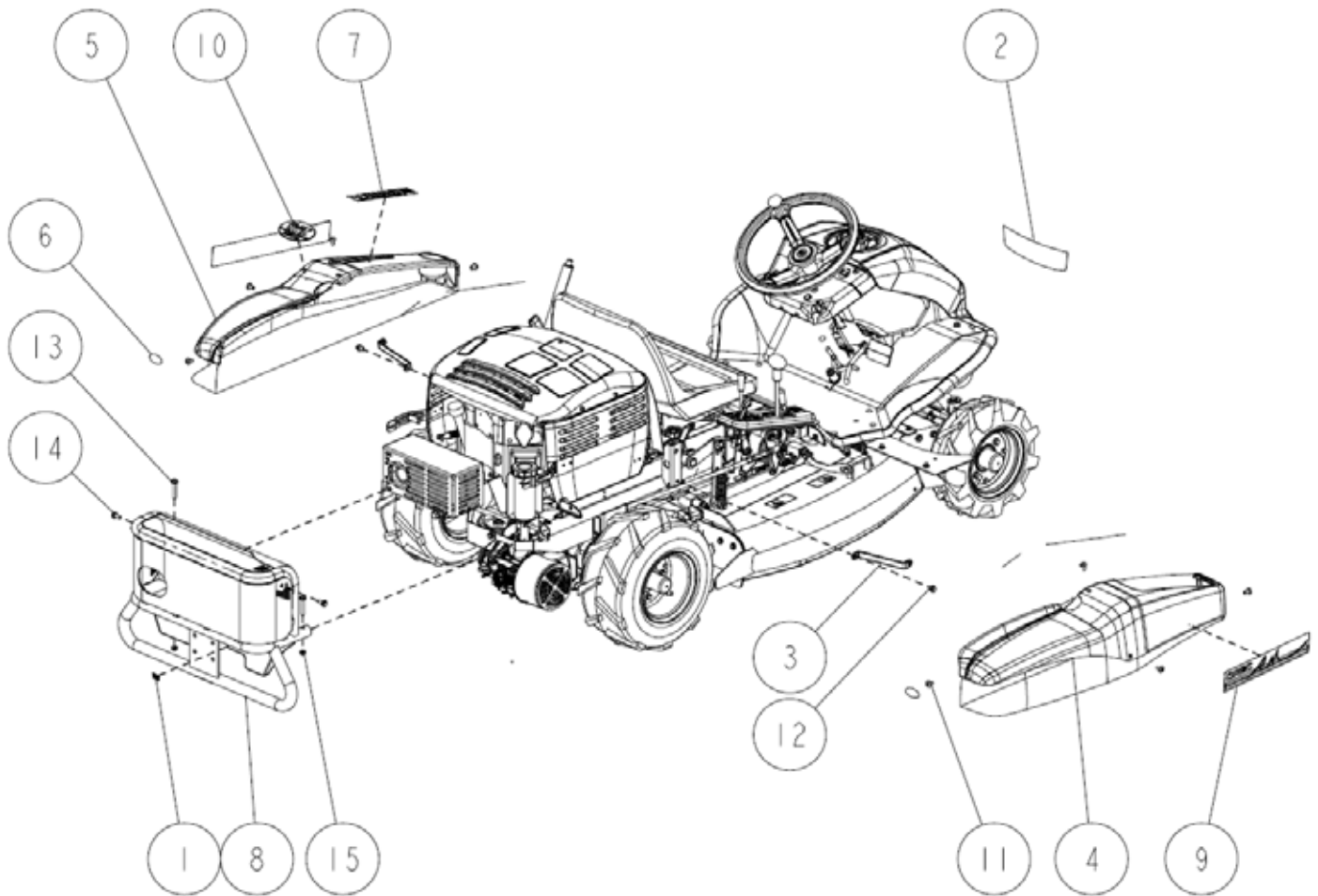
kit visserie pour 2 couteaux -- 0244-78200

Couteau gator a l'unite -- 80-1850-000-00

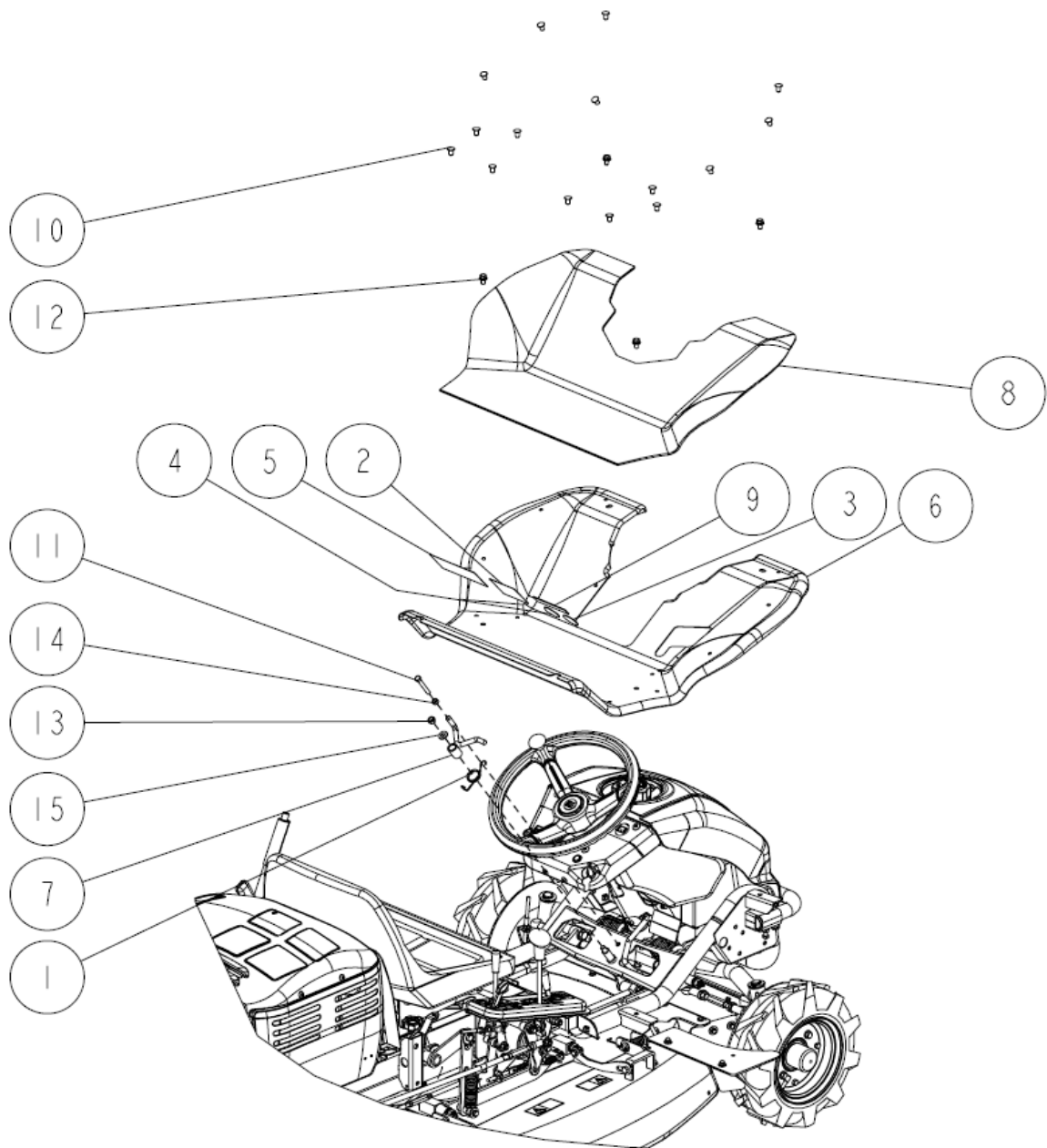
Courroie de lame BS75 -- 89-6123-007803

Courroie moteur BS 31 -- 89-6123-003203

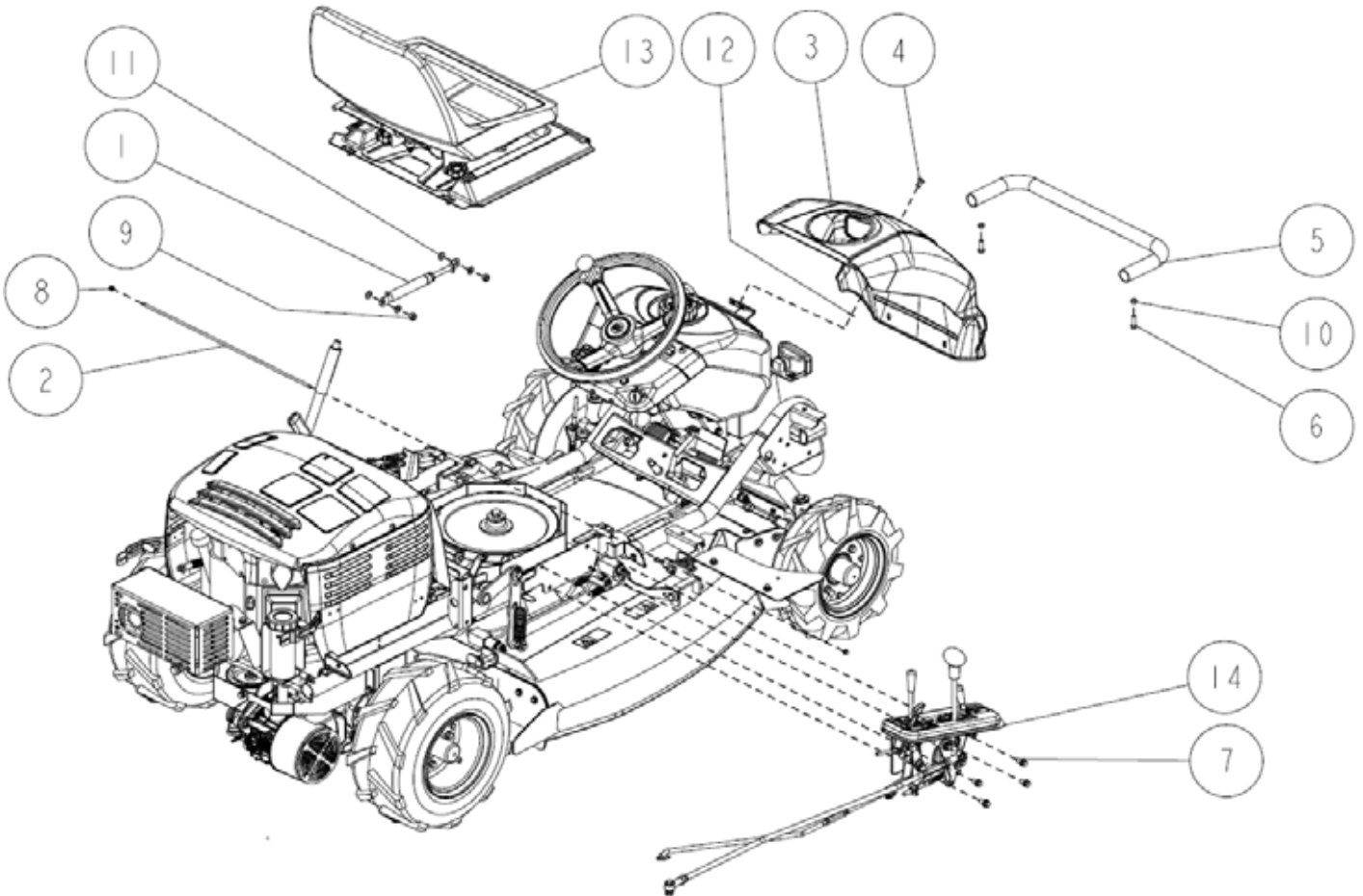
Filtre a huile model court briggs vanguard -- BS492932



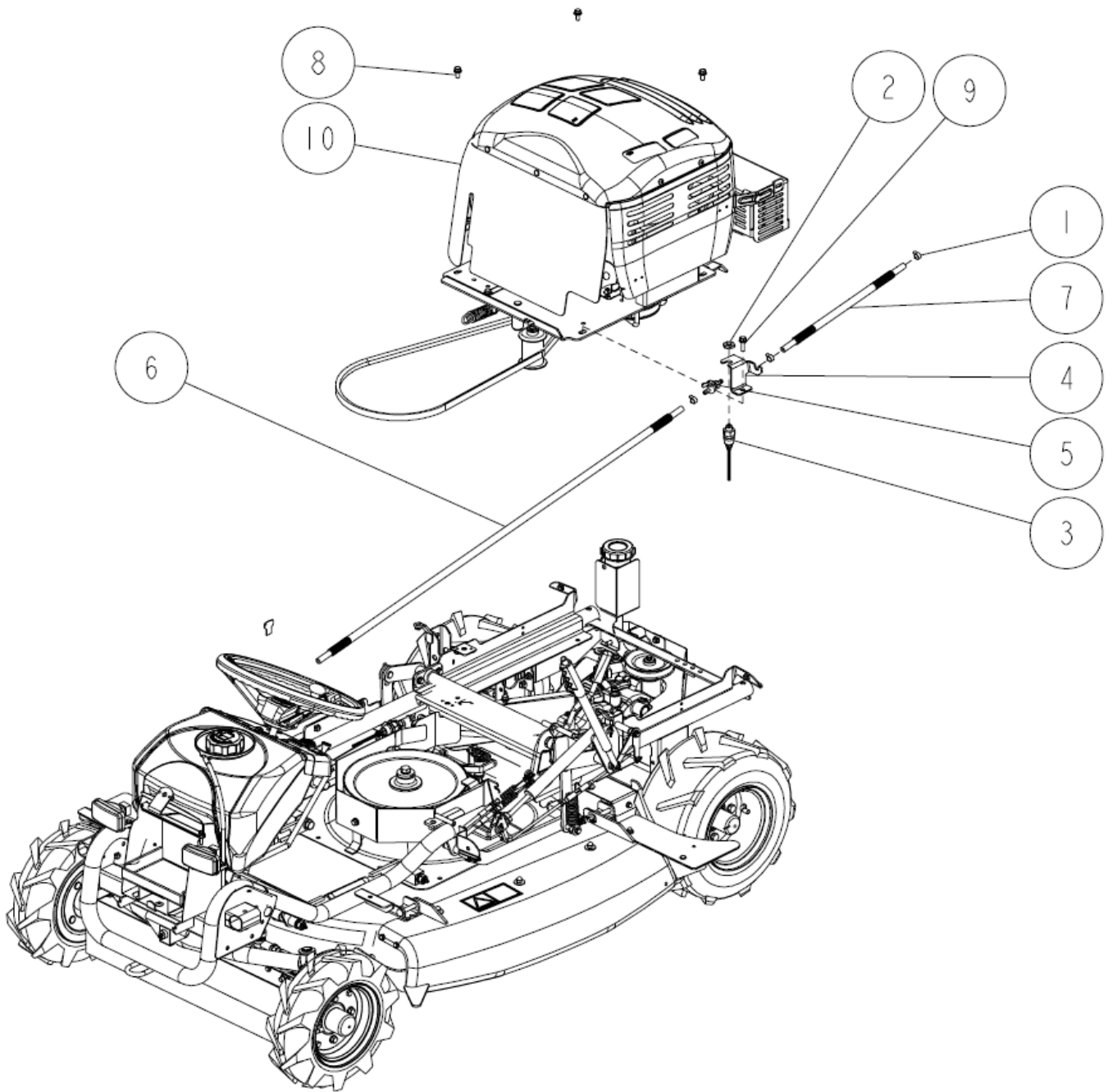
15	89-1631-080042	Flange Mini Hexagonal Nut M8	3	
14	89-1253-080202	Flange Mini Hexagonal Bolt (8T) M8*20	2	
13	89-1251-080502	Flange Mini Hexagonal Bolt M8*50	2	
12	89-1233-080162	Mini Hexagonal Bolt (PWSW) M8*16	2	
11	89-1159-080168	Truss Mini Screw M8*16	8	
10	0292-92200	Label, Model RM97	1	
9	0292-92100	Label, Side Cover (Red)	2	
8	0292-80100	Sub Frame CMP	1	
7	0259-80300	Label, Cutting Height Adjusting (13255)	1	
6	0244-81800	Reflection Seat	2	
5	0244-60210	Side Cover (L) Red	1	
4	0244-60110	Side Cover (R) Red	1	
3	0244-22400	Side Cover Stay CMP	2	
2	0227-71600	Label, Main (OREC)	1	
1	0217-70800	Label, Gear Oil 1.0L	1	
Ref.	Parts Number	Parts Name	Quantity	Remarks



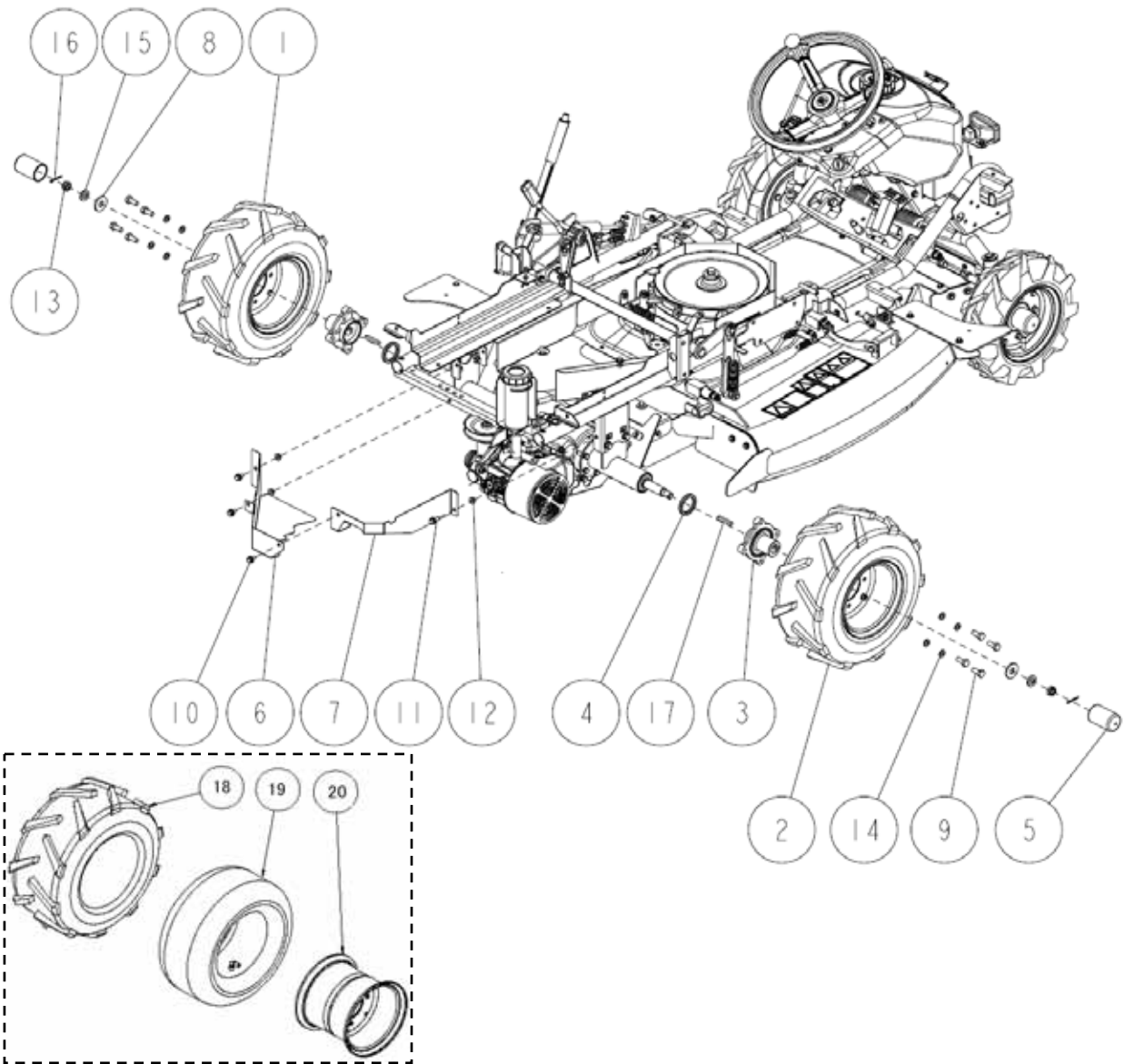
15	89-1714-100002	Flat Washer 10	1	
14	89-1611-080042	Ecrou M8	1	
13	89-1561-100002	Mini Hexagonal U Nut M10	1	
12	89-1233-080162	Mini Hexagonal Bolt (PWSW) M8*16	4	
11	89-1211-080552	Mini Hexagonal Bolt M8*55	1	
10	83-1484-369-00	Clips plastique de tapis de sol (5347)	15	
9	83-1310-902-00	OREC Mark	1	
8	0244-70900	Tapis de sol caoutchouc	1	
7	0244-32200	Brake Stopper CMP	1	
6	0244-20500	Step	1	
5	0223-76100	Label, Caution (Large)	1	
4	0215-83200	Label, Protection Equipment	1	
3	0215-83100	Attention Mark for Slope	1	
2	80-1488-921-00	Label Pedal Stopper (13113)	1	
1	80-1484-356-00	Brake Stopper Return Spring	1	
Ref.	Parts Number	Parts Name	Quantity	Remarks



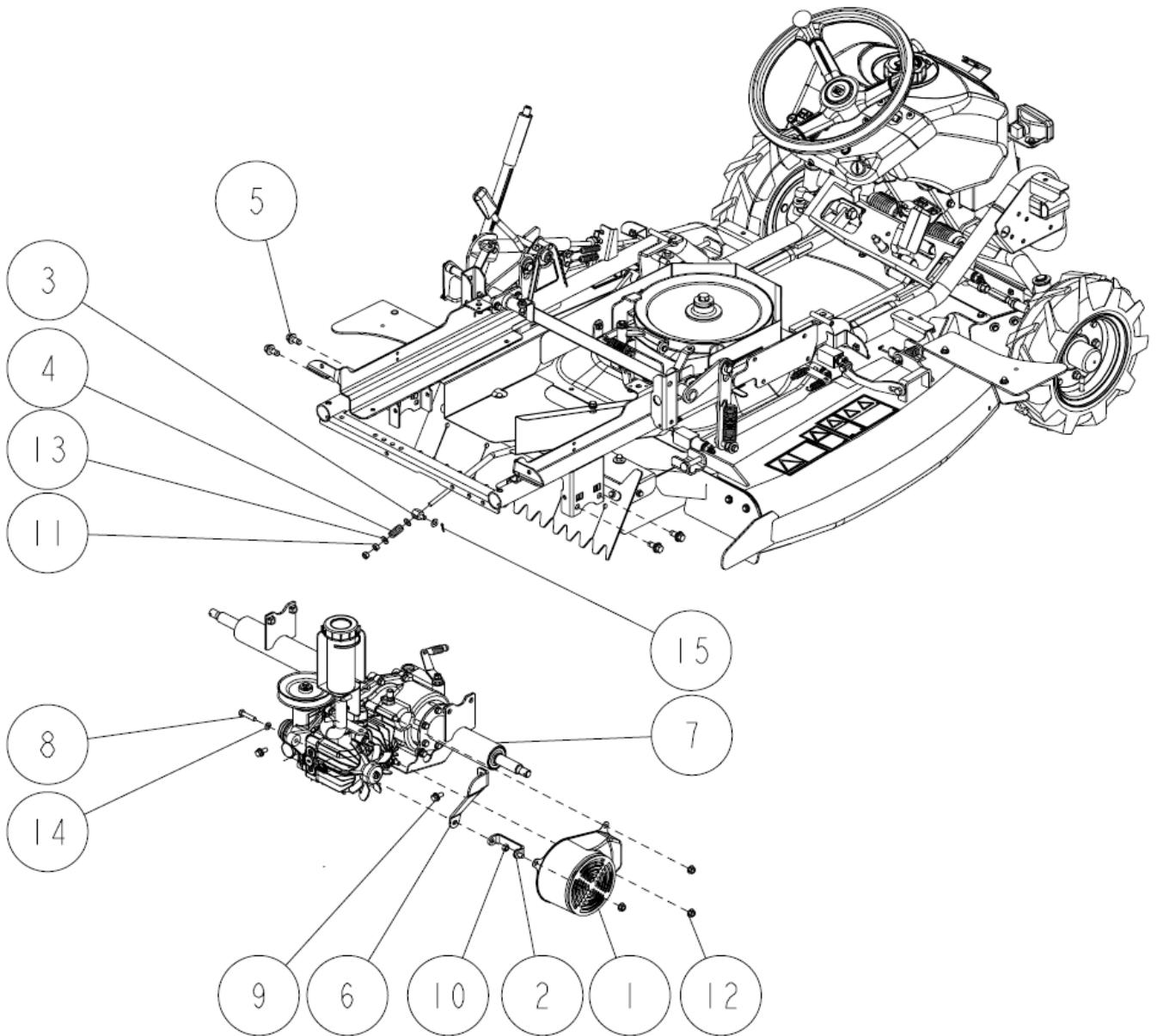
14	-	Control Part	-	Page 31
13	-	Seat Part	-	Page 43
12	89-2521-000083	E Type Ring 8	1	
11	89-1711-100002	Flat Washer 10*18*1.6	4	
10	89-1611-080042	Mini Hexagonal Nut M8	2	
9	89-1561-100002	Mini Hexagonal U Nut M10	2	
8	89-1553-060002	Bag Hexagonal U Nut M6	2	
7	89-1233-080202	Mini Hexagonal Bolt (PWSW) M8*20	4	
6	89-1211-080252	Mini Hexagonal Bolt M8*25	2	
5	0255-20200	Front Bumper	1	
4	0244-71300	Sine Fastener T9-170	1	
3	0244-60600	Front Cover	1	
2	0244-22200	Seat Bracket Shaft	1	
1	0207-72700	Verin KMF 50-40	1	
Ref.	Parts Number	Parts Name	Quantity	Remarks



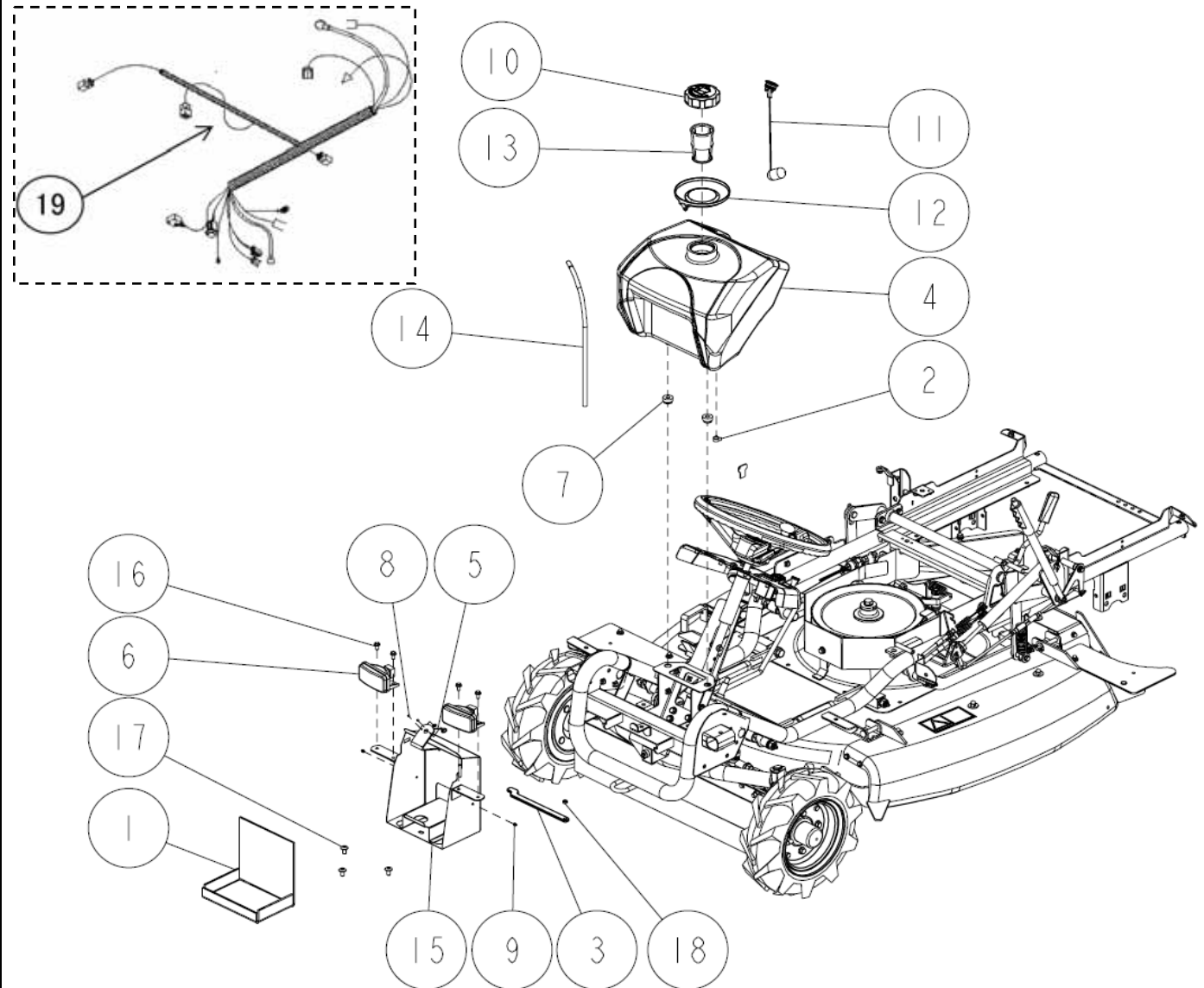
10	-	Engine Part	-	Page 46
9	89-1233-080302	Mini Hexagonal Bolt (PWSW) M8*30	1	
8	89-1233-080202	Mini Hexagonal Bolt (PWSW) M8*20	3	
7	0244-75300	Fuel Hose (B)	1	
6	0244-75200	Fuel Hose (Front)	1	
5	0244-74500	Robinet carburant complet	1	
4	0244-20400	Fuel Cock Bracket	1	
3	0207-74400	Contacteur de securite K17850	1	
2	0207-72800	Ecrou de contacteur de securite	1	
1	80-1483-988-00	Hose Clip 17	3	
Ref.	Parts Number	Parts Name	Quantity	Remarks



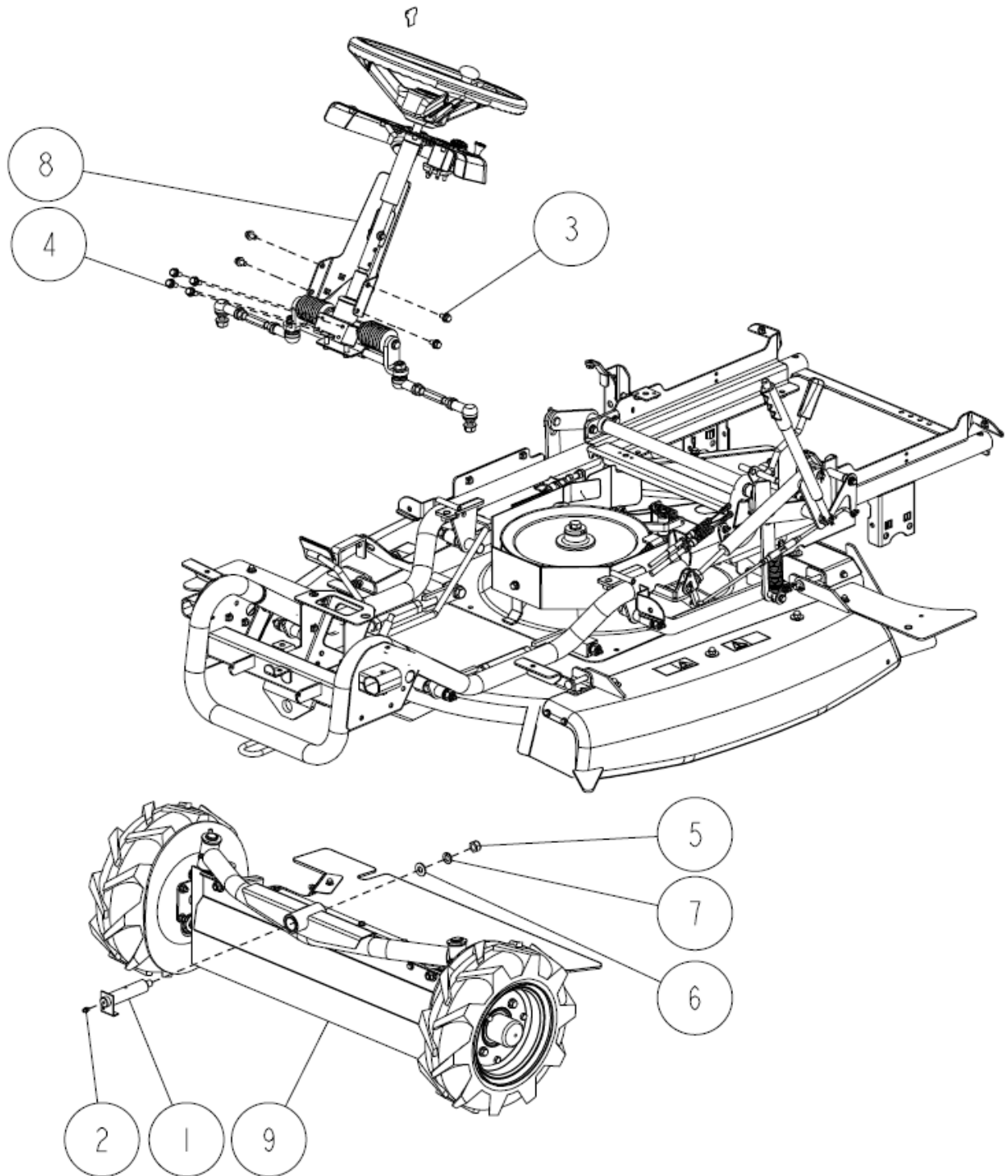
20	80-1751-407-00	Jante AR (2 flasque) 16 x 700 x 8	2	
19	80-1751-404-00	Chambre a air 16 x 700 x 8	2	
18	80-1751-401-00	Pneu 16 x 700 x 8	2	
17	89-2150-070500	Clavette 7 x 50 (a bout rond)	2	
16	89-2120-350352	Goupille fendu 3.5 x 35	2	
15	89-1750-160002	Rondelle grower M16	2	
14	89-1750-100002	Rondelle grower M10	8	
13	89-1658-160042	Ecrou chateau M16	2	
12	89-1631-080042	Ecrou collerette empreinte frein M8	3	
11	89-1233-080202	Vis rondelle integre (PWSW) M8 x 20	1	
10	89-1233-080162	Vis rondelle integre (PWSW) M8 x 16	3	
9	89-1113-100252	Vis M10 x 25	8	
8	83-1630-335-00	Rondelle plate M16 x 40 x 4.5	2	
7	0292-82100	Rear Belt Cover CMP (R)	1	
6	0259-60100	Rear Belt Cover (AV98 CE)	1	
5	0244-76200	Capuchon caoutchouc de roue AR	2	
4	0207-77800	Feutre cache poussieres	2	
3	0207-31200	Moyeu de roue AR	2	
2	80-1751-412-00	Roue AR (R) (16 x 7.00 x 8)	1	
1	80-1751-411-00	Roue AR (L) (16 x 7.00 x 8)	1	
Ref.	Parts Number	Parts Name	Quantity	Remarks



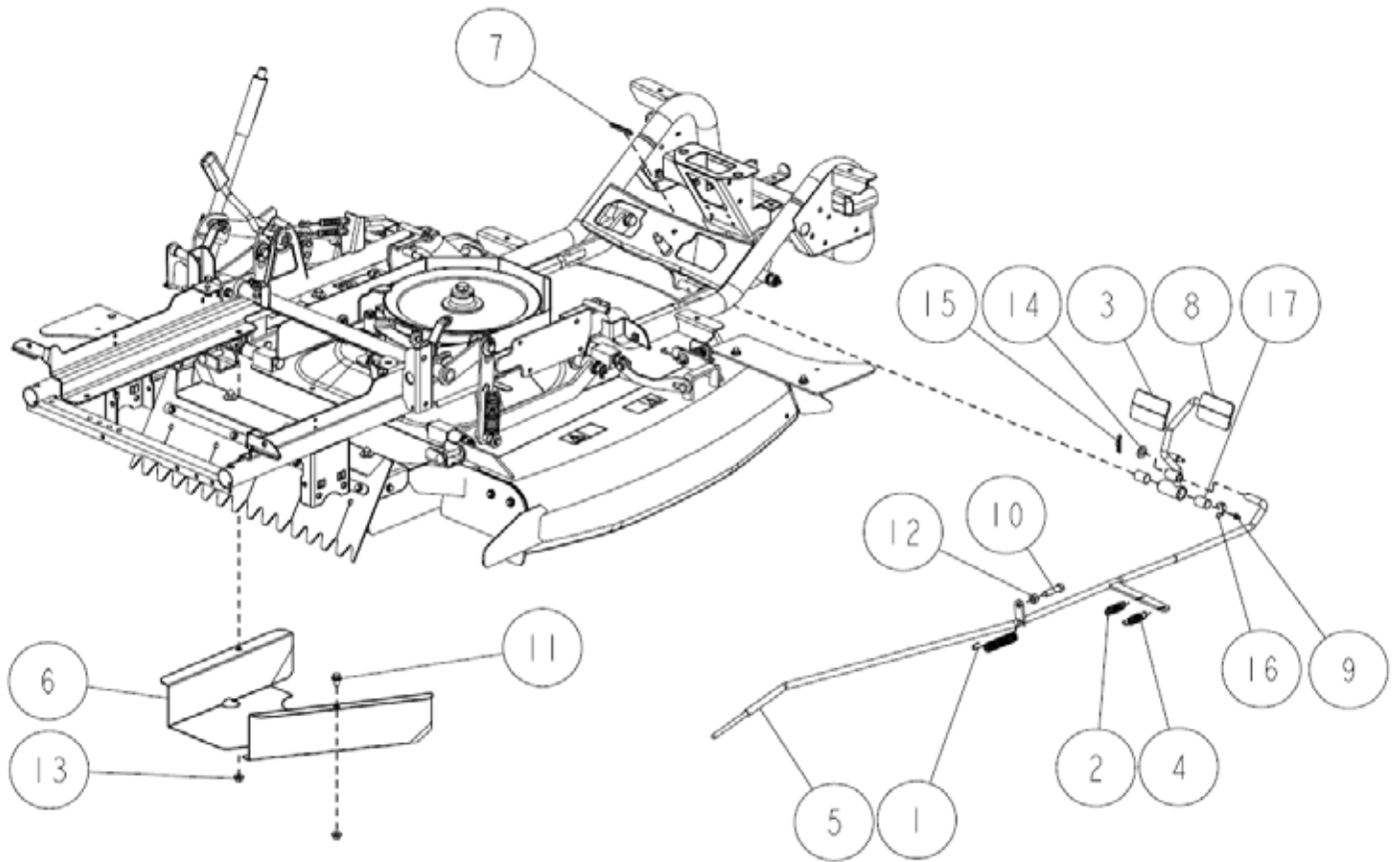
15	89-2120-200152	Split Pin 2*15	1	
14	89-1750-080002	Spring Washer 8	1	
13	89-1711-080002	Flat Washer 8	3	
12	89-1631-080042	Flange Mini Hexagonal Nut M8	3	
11	89-1611-080042	Mini Hexagonal Nut M8	1	
10	89-1561-080002	Mini Hexagonal U Nut M8	2	
9	89-1233-080202	Mini Hexagonal Bolt (PWSW) M8*20	2	
8	89-1211-080352	Mini Hexagonal Bolt M8*35	1	
7	0281-09010	Transmission Assy (with HST)	1	
6	0281-00400	Transmission Hunger Stay	1	
5	0244-83200	Mini Hexagonal Bolt (PWSW) M10*25 (7	4	
4	0207-75400	Brake Spring 30	1	
3	0207-10300	Brake Joint	1	
2	0207-07400	Fan Cover Setting CMP	1	
1	0207-07200	Fan Cover CMP	1	
Ref.	Parts Number	Parts Name	Quantity	Remarks



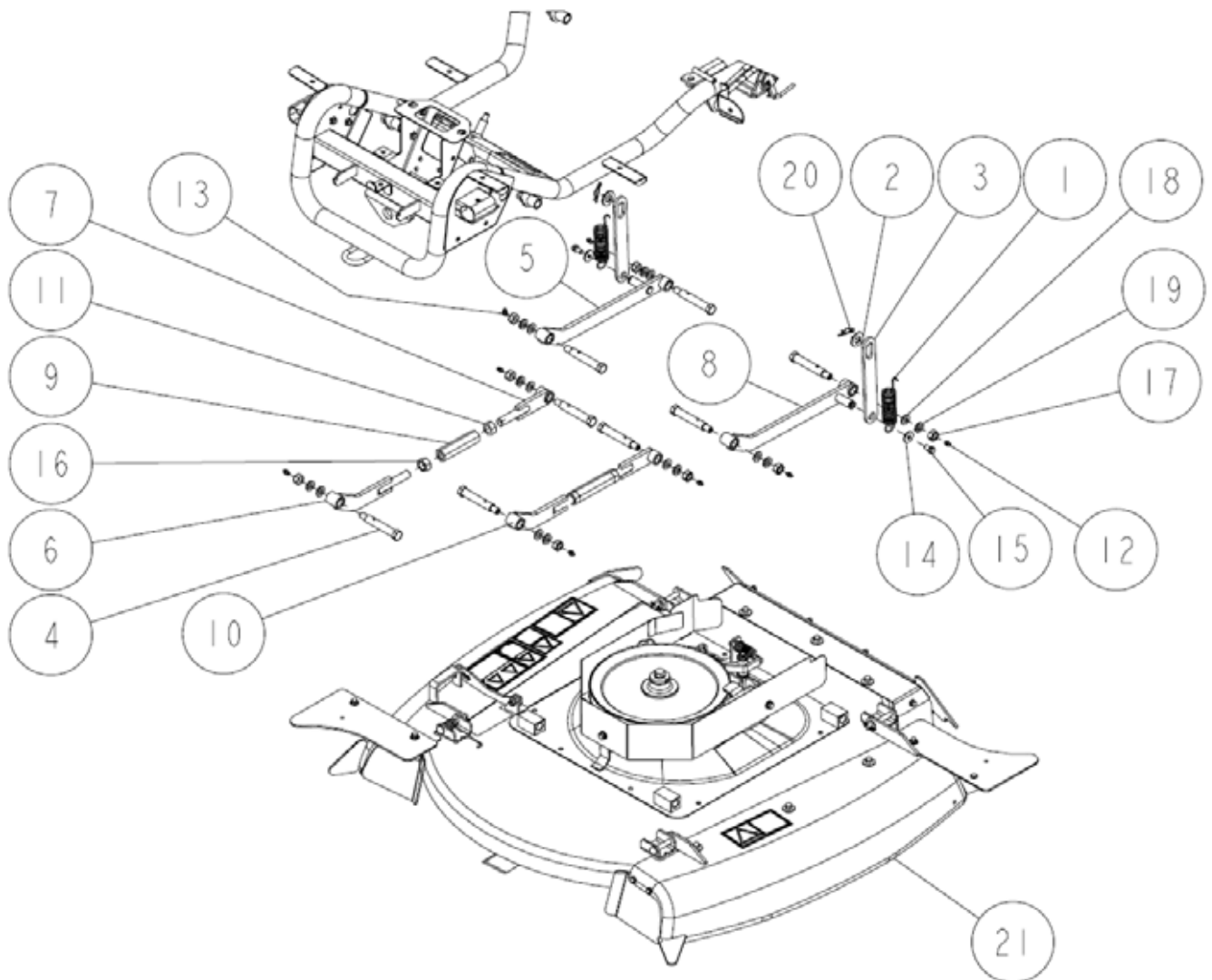
20	0244-77900	Fuse Box Cover	1	
19	0244-70600	Wire Harness Assy RM97EU (B&S)	1	
18	89-1551-060002	Hexagonal U Nut M6	1	
17	89-1159-080168	Truss Mini Screw M8*16	3	
16	89-1137-060152	Hexagonal Bolt (PW) M6*15	4	
15	0259-61100	Battery Carrier CMP	1	
14	0244-77800	Leak Hose	1	
13	0244-76900	Filter	1	
12	0244-76800	Leak Guide	1	
11	0244-76700	Fuel Gauge Assy	1	
10	0244-76600	Tank Cap Assy	1	
9	0244-76300	Wire Clip	2	
8	0244-75100	Blind Rivet	2	
7	0244-73400	Fuel Tank Bush	2	
6	0244-72900	Head Lamp	2	
5	0244-71500	Fastener Spring ST-9	1	
4	0244-70100	Fuel Tank	1	
3	0244-60810	Battery Setting Stay	1	
2	80-1483-988-00	Hose Clip 17	1	
1	80-1482-971-00	Cushion Rubber (Battery)	1	
Ref.	Parts Number	Parts Name	Quantity	Remarks



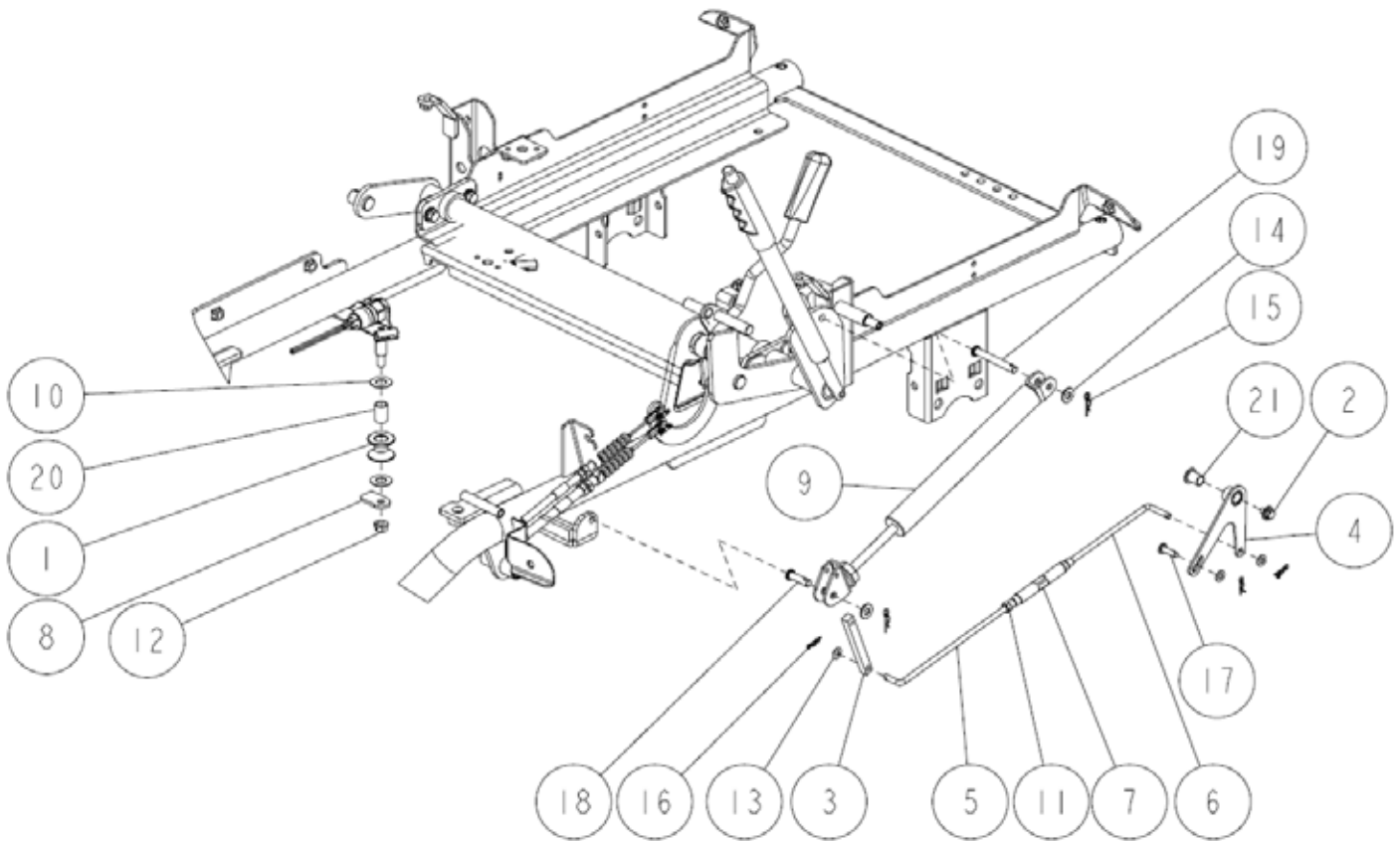
9	-	Front Part	-	Page 27
8	-	Handle Part	-	Page 24
7	89-1750-120002	Spring Washer 12	1	
6	89-1713-120002	Flat Washer 12 (large)	1	
5	89-1551-120002	Hexagonal U Nut M12	1	
4	89-1233-080202	Mini Hexagonal Bolt (PWSW) M8*20	4	
3	89-1233-080162	Mini Hexagonal Bolt (PWSW) M8*16	4	
2	83-1415-975-00	Grease Nipple M6	1	
1	0207-30700	Center Pin	1	
Ref.	Parts Number	Parts Name	Quantity	Remarks



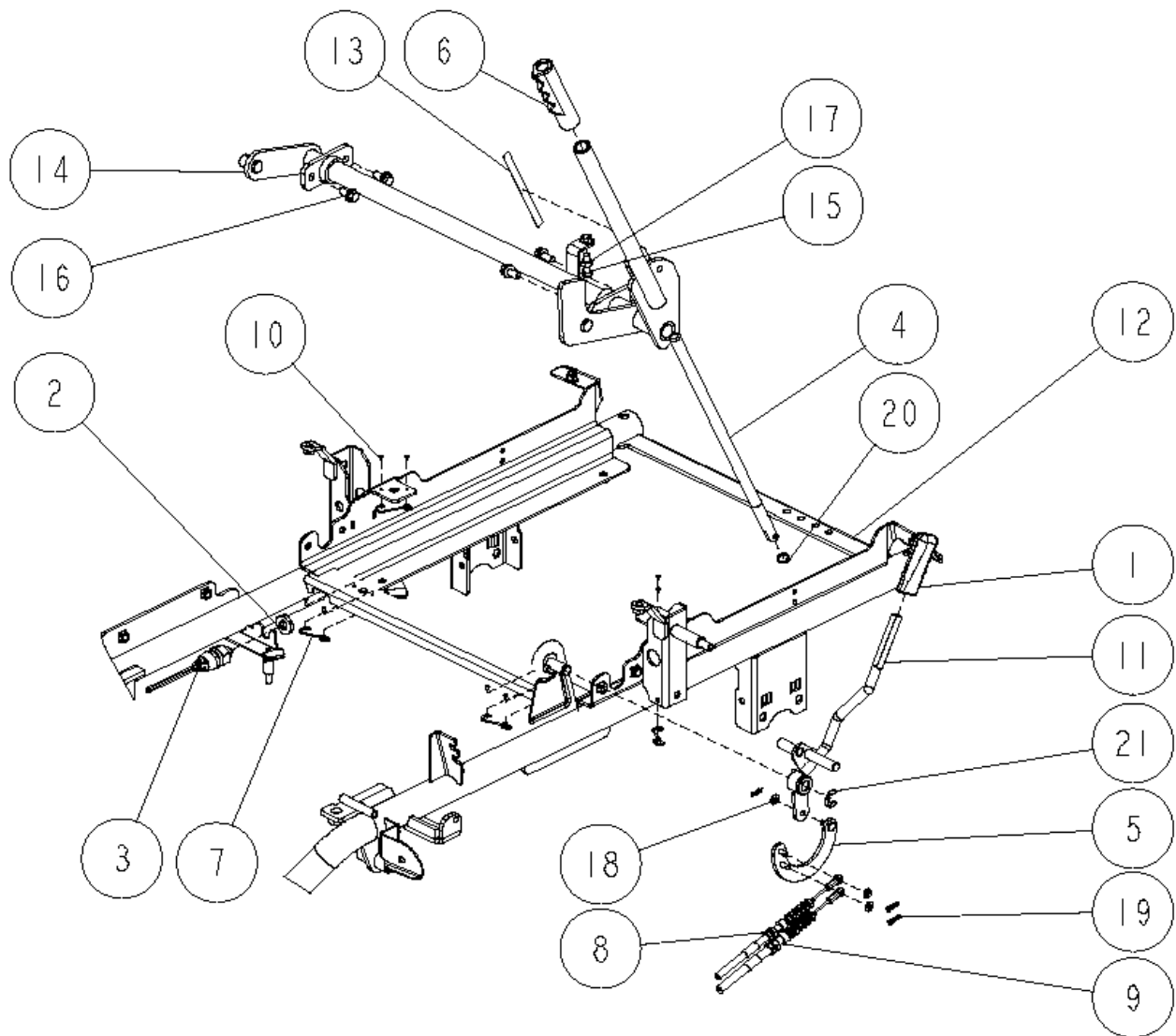
17	89-3510-016250	DU Bush 16.25	2	
16	89-2521-000150	E Type Ring 15	1	
15	89-2131-120002	Snap Pin 12	1	
14	89-1711-120002	Flat Washer 12	1	
13	89-1631-080042	Flange Mini Hexagonal Nut M8	2	
12	89-1611-100042	Mini Hexagonal Nut M10	1	
11	89-1233-080162	Mini Hexagonal Bolt (PWSW) M8*16	1	
10	89-1213-100357	Mini Hexagonal Bolt (8T) M10*35	1	
9	83-1415-975-00	Grease Nipple M6	1	
8	0292-90100	Brake Pedal Arm CMP	1	
7	0289-71100	Rubber L50	1	
6	0259-60210	Center Belt Cover (AV98 CE)	1	
5	0244-13600	Brake Rod CMP	1	
4	0208-71800	Spring, Neutral	1	
3	80-1781-943-00	Pedal Rubber	1	
2	80-1614-315-00	Return Spring	1	
1	80-1493-354-00	Rod Return Spring	1	
Ref.	Parts Number	Parts Name	Quantity	Remarks



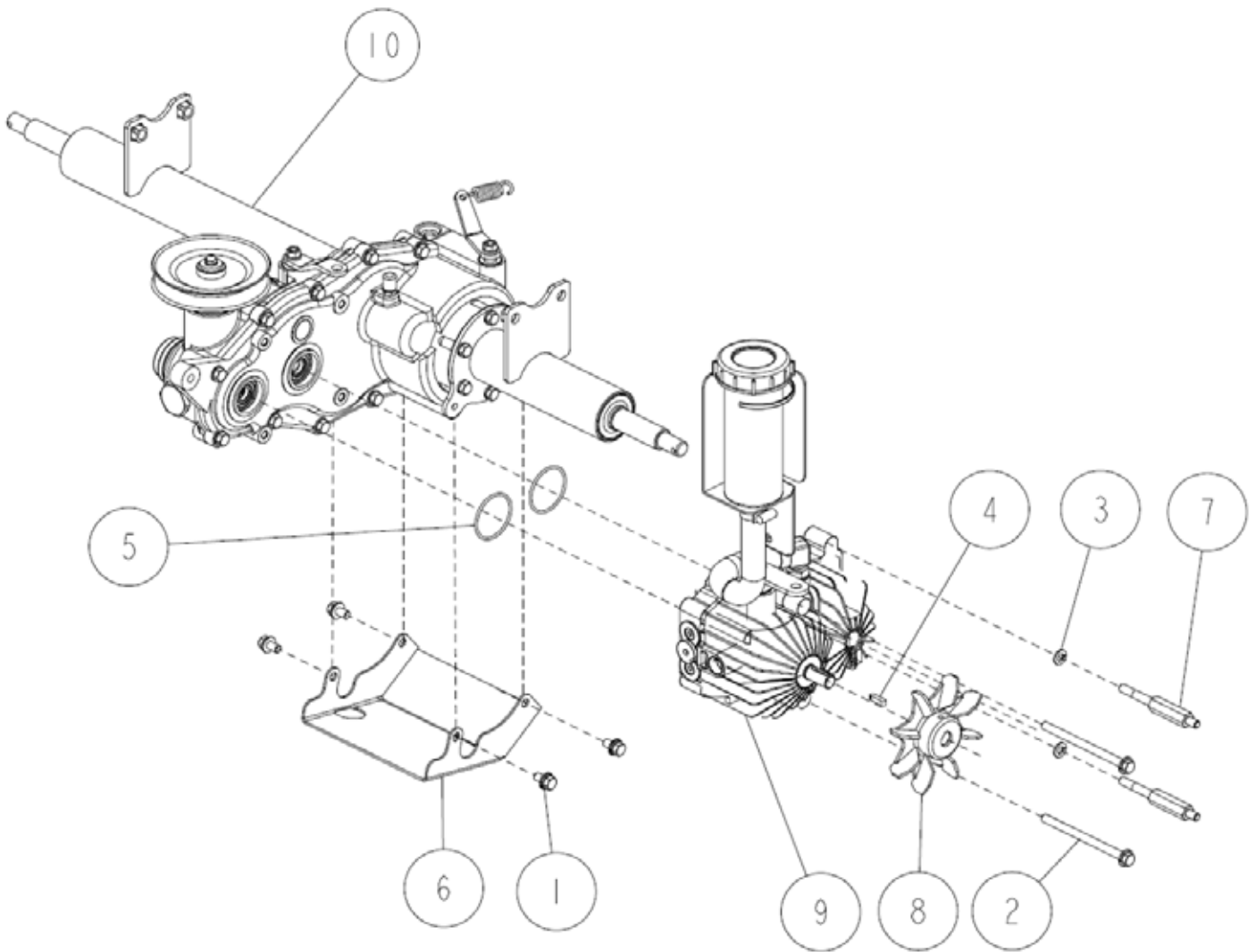
21	-	Cutting Part	-	Page 36
20	89-2131-160002	Snap Pin 16	2	
19	89-1750-120002	Spring Washer 12	8	
18	89-1711-120002	Flat Washer 12	8	
17	89-1551-120002	Hexagonal U Nut M12	8	
16	89-1511-160042	Hexagonal Nut M16	2	
15	89-1232-080162	Mini Hexagonal Bolt (SW) M8*16	2	
14	83-1751-311-00	Flat Washer 8*25*2.3	2	
13	83-1515-975-00	Grease Nipple C-Type M6	1	
12	83-1415-975-00	Grease Nipple M6	7	
11	0255-70200	Hexagonal Nut M16(L)	2	
10	0255-50800	Front Link Arm L CMP	1	
9	0255-50600	Link Arm Adjuster	2	
8	0255-50400	Rear Link Arm L CMP	1	
7	0255-50300	Front Link Arm B CMP	2	
6	0255-50200	Front Link Arm R CMP	1	
5	0255-50100	Rear Link Arm R CMP	1	
4	0244-52200	Link Bolt	8	
3	0244-10400	Connecting Plate	2	
2	0207-76800	Washer 16*32*2.3	2	
1	0207-76200	Spring (Up/Down)	2	
Ref.	Parts Number	Parts Name	Quantity	Remarks



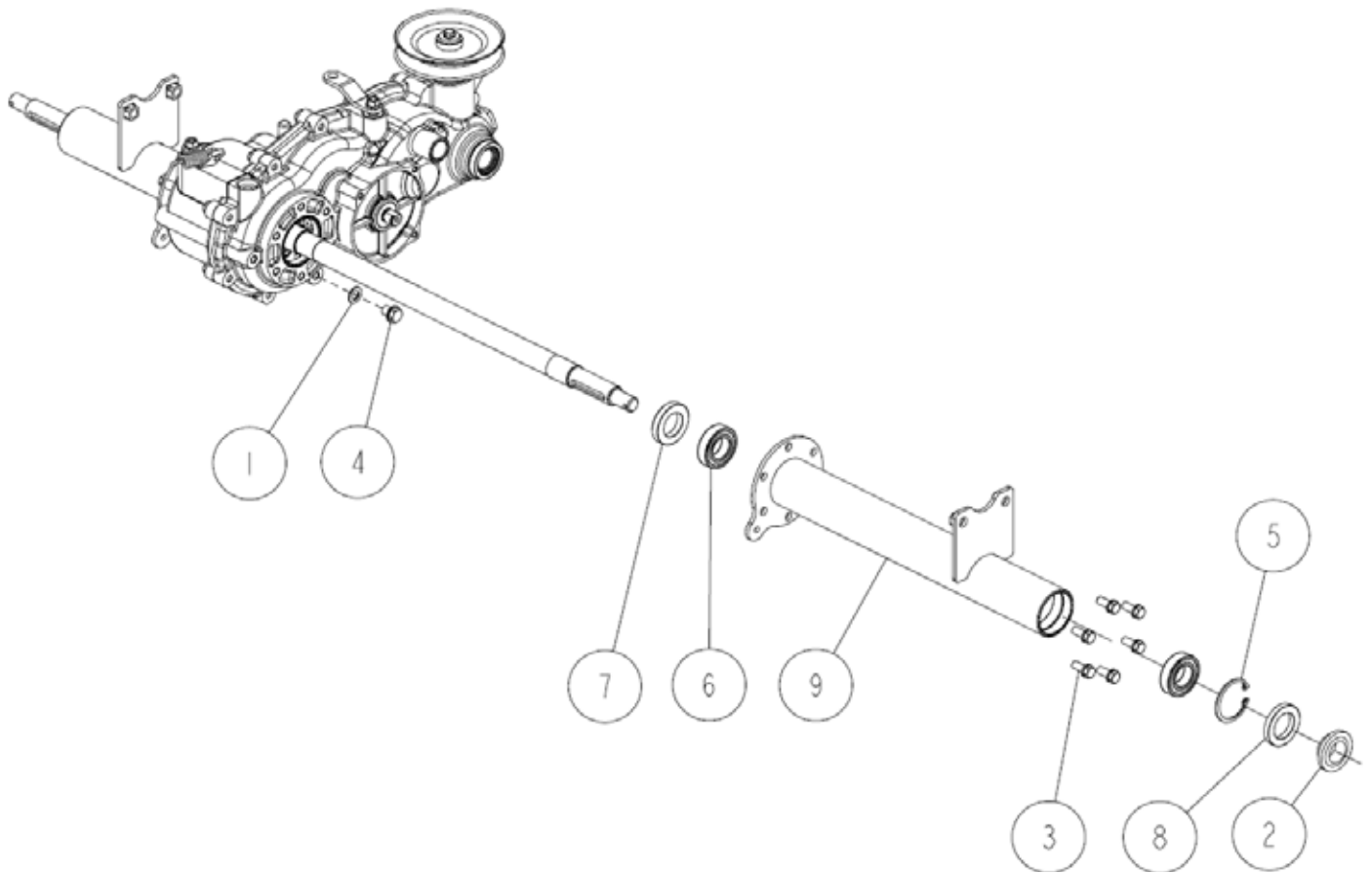
21	89-3511-010150	DU Bush 10.15.18F	1	
20	89-3510-012200	DU Bush 12.20	1	
19	89-2181-080602	Flat Head Pin 8*60	1	
18	89-2181-080282	Flat Head Pin 8*28	1	
17	89-2181-060202	Flat Head Pin 6*20	1	
16	89-2132-060002	Snap Pin 6 (with stopper)	3	
15	89-2131-080002	Snap Pin 8	2	
14	89-1711-080002	Flat Washer 8	2	
13	89-1711-060002	Flat Washer 6	3	
12	89-1543-080002	Mini Hexagonal Nut (SW) M8	1	
11	89-1511-060042	Hexagonal Nut M6	1	
10	83-1020-355-00	Thrust Washer 12*24*1.0	2	
9	0255-70100	Gas Spring Free Lock Type(FLC75-35)	1	
8	0244-22600	Brake Rod Hung Plate	1	
7	0244-11600	Turn Buckle (Pipe Type)	1	
6	0244-11500	Adjuster Rod (L)	1	
5	0244-11400	Adjuster Rod (R)	1	
4	0244-11300	Push Rod Receiver CMP	1	
3	0244-10500	Lock Pusher	1	
2	0208-72700	Hexagonal Bolt (PW Large,SW) M6*12	1	
1	80-1484-354-10	Brake Rod Roller	1	
Ref.	Parts Number	Parts Name	Quantity	Remarks



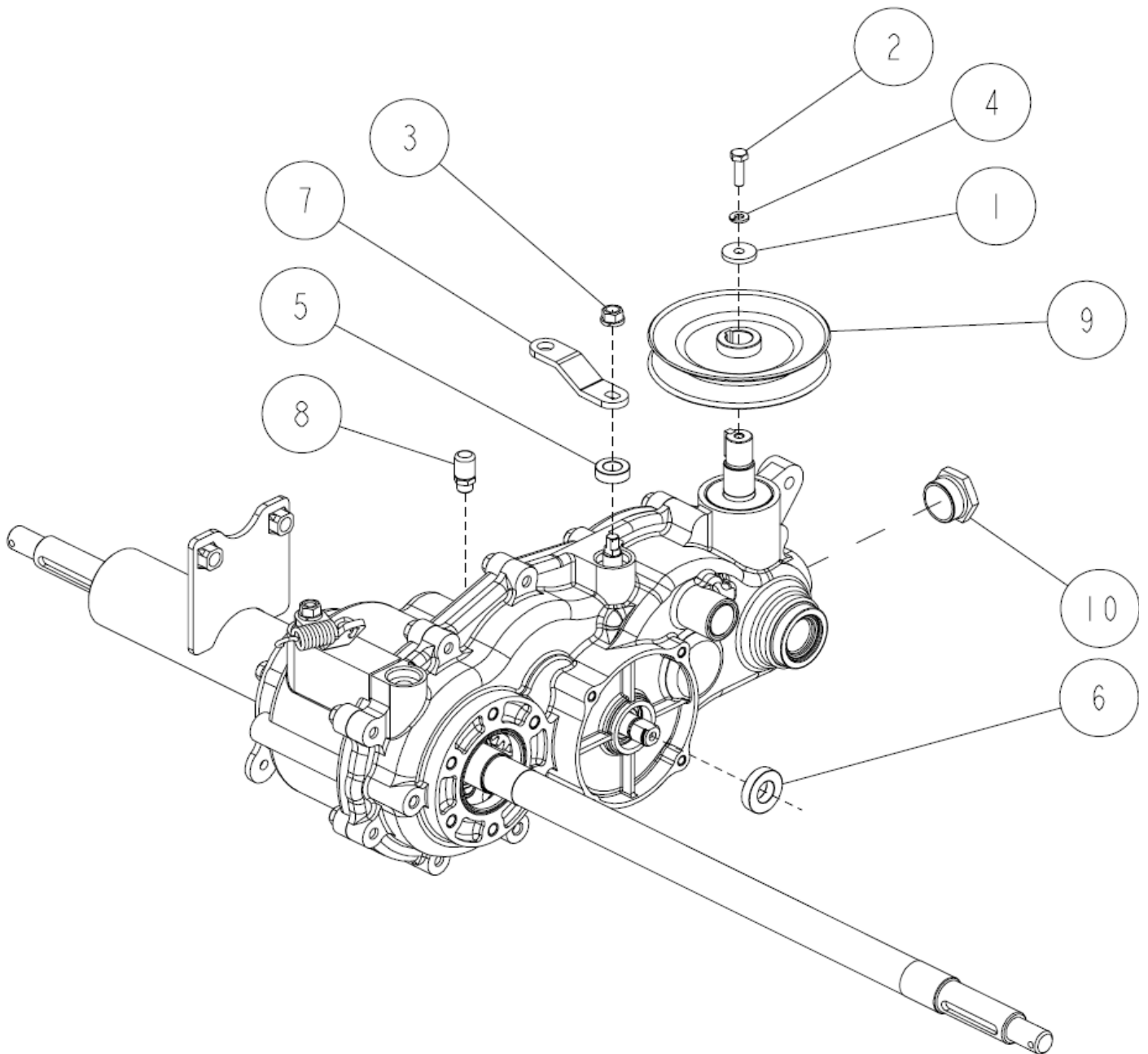
21	89-2521-000120	E Type Ring 12	1	
20	89-2511-000130	Snap Ring (S13)	1	
19	89-2132-060002	Snap Pin 6 (with stopper)	3	
18	89-1711-060002	Flat Washer 6	3	
17	89-1611-080042	Mini Hexagonal Nut M8	1	
16	89-1233-080202	Mini Hexagonal Bolt (PWSW) M8*20	4	
15	89-1211-080252	Mini Hexagonal Bolt M8*25	1	
14	0262-10100	Up/Down Adjusting Shaft CMP	1	
13	0259-80700	Label, Cutting Height Line	1	
12	0292-91100	Frame CMP (97FB)	1	
11	0259-14310	Knife Clutch Lever	1	
10	0244-75100	Blind Rivet	8	
9	0244-72300	Cutting Clutch Wire	1	
8	0244-72200	Knife Brake Wire	1	
7	0244-71500	Fastener Spring ST-9	4	
6	0244-70200	Adjusting Shaft Grip	1	
5	0244-13700	Wire Joint CMP	1	
4	0244-11200	Push Rod	1	
3	0207-74400	Safety Switch K17850	1	
2	0207-72800	Switch Lock Nut	1	
1	80-1484-262-00	Arm Grip (Red)	1	
Ref.	Parts Number	Parts Name	Quantity	Remarks



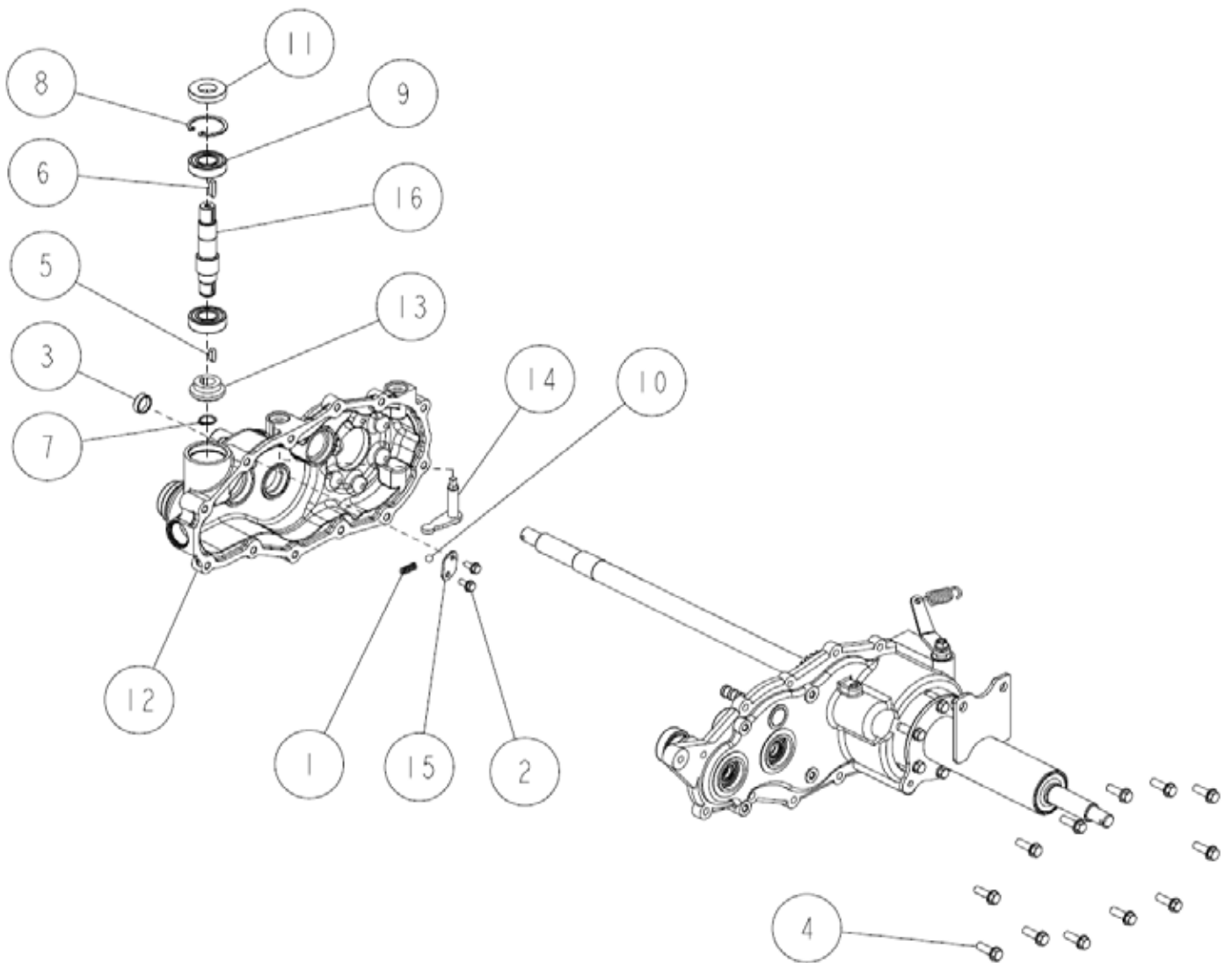
10	0281-09110	Transmission Assy (without HST)	-	
9	0244-09200	HST Unit Assy	-	
8	0207-07500	Ventilateur	1	
7	0207-07300	Double Spring Bolt	2	
6	0207-03100	Mission Guard CMP	1	
5	89-5222-045000	O Ring G45	2	
4	89-2150-050200	Key 5*20 (round)	1	
3	89-1750-080002	Spring Washer 8	2	
2	89-1251-081123	Flange Mini Hexagonal Bolt M8*112	2	
1	89-1239-080162	Mini Hexagonal Bolt (PWSW) M8*16	4	
Ref.	Parts Number	Parts Name	Quantity	Remarks



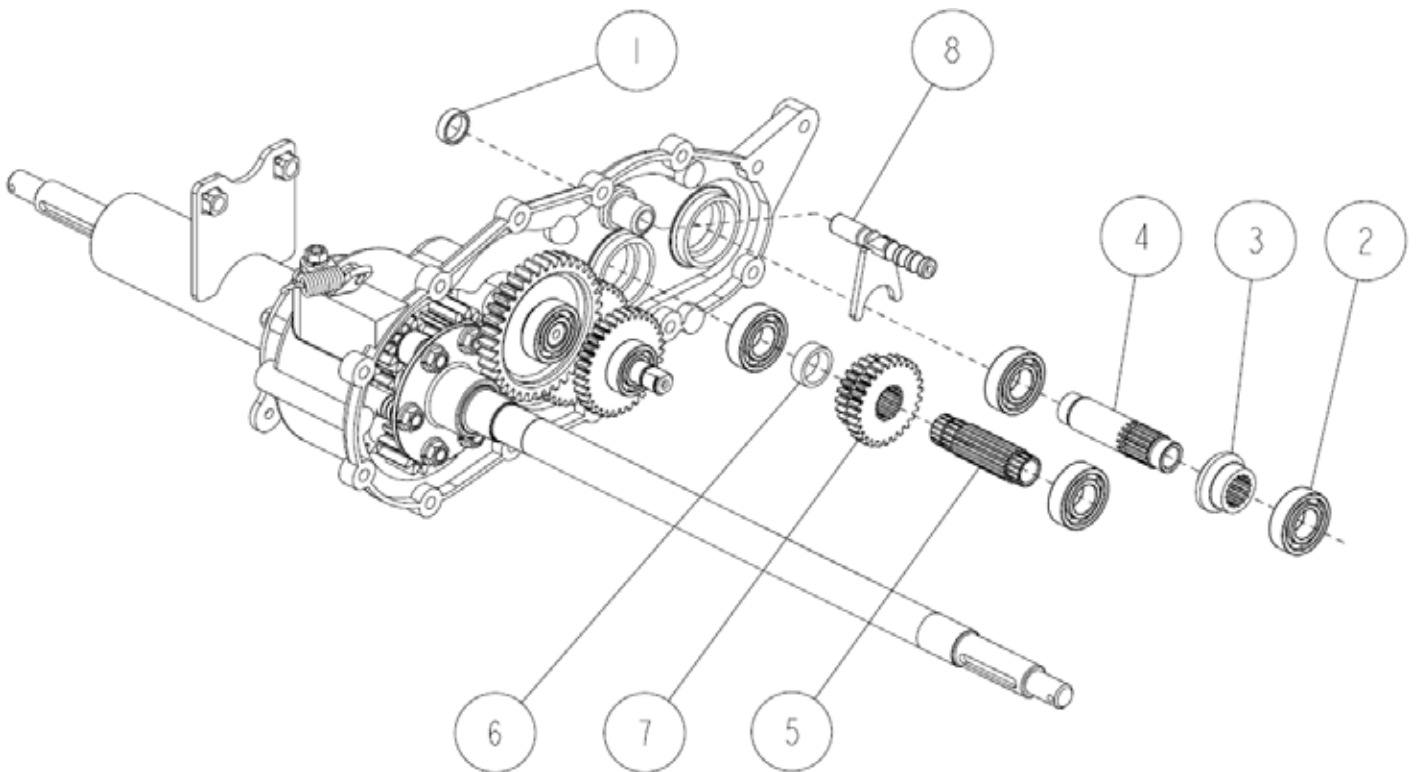
9	0281-00100	Axle Case CMP (L)	1	
8	89-5121-304707	Oil Seal UE 30.47.7	1	
7	89-5121-284708	Oil Seal UE 28.47.8	1	
6	89-3115-060054	Bearing 6005 2RS	2	
5	89-2512-000470	Snap Ring (R47)	1	
4	89-1252-100122	Flange Mini Hexagonal Bolt M10*12 (sler	1	
3	89-1232-080202	Mini Hexagonal Bolt (SW) M8*20	6	
2	83-1415-663-00	Oil Seal AP 30.47.7	1	
1	83-1020-349-00	Copper Packing 10.5*18*1.6	1	
Ref.	Parts Number	Parts Name	Quantity	Remarks



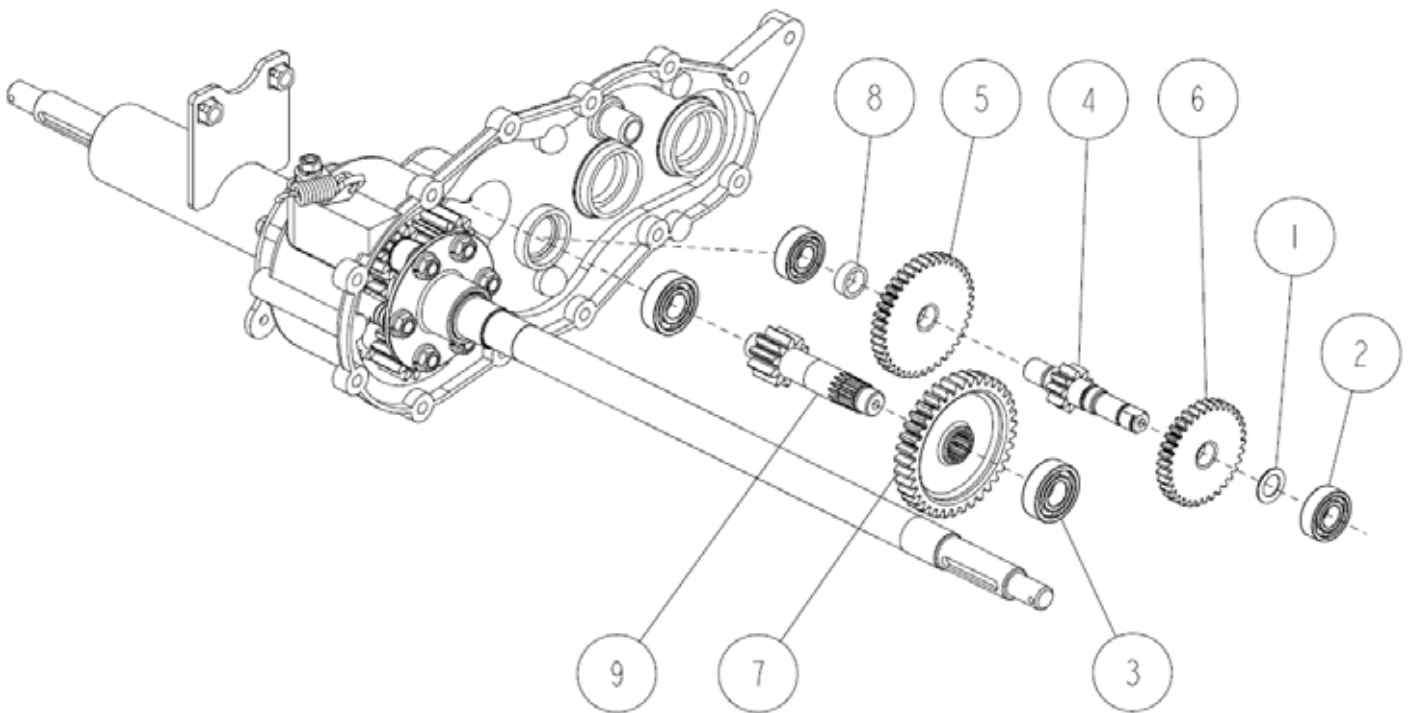
10	0289-01000	Oil Plug Assy (with O Ring)	1	
9	0284-40200	Transmission Pulley(HI)	1	
8	0207-06100	Air Bleazer	1	
7	0207-02500	Sub Change Arm	1	
6	89-5121-153007	Oil Seal UE 15.30.7	1	
5	89-5121-122207	Oil Seal UE 12.22.7	1	
4	89-1750-060002	Spring Washer 6	1	
3	89-1543-080002	Mini Hexagonal Nut (SW) M8	1	
2	89-1113-060202	Hexagonal Bolt (8T) M6*20	1	
1	83-1482-311-00	Washer 6.5*22*3.2	1	
Ref.	Parts Number	Parts Name	Quantity	Remarks



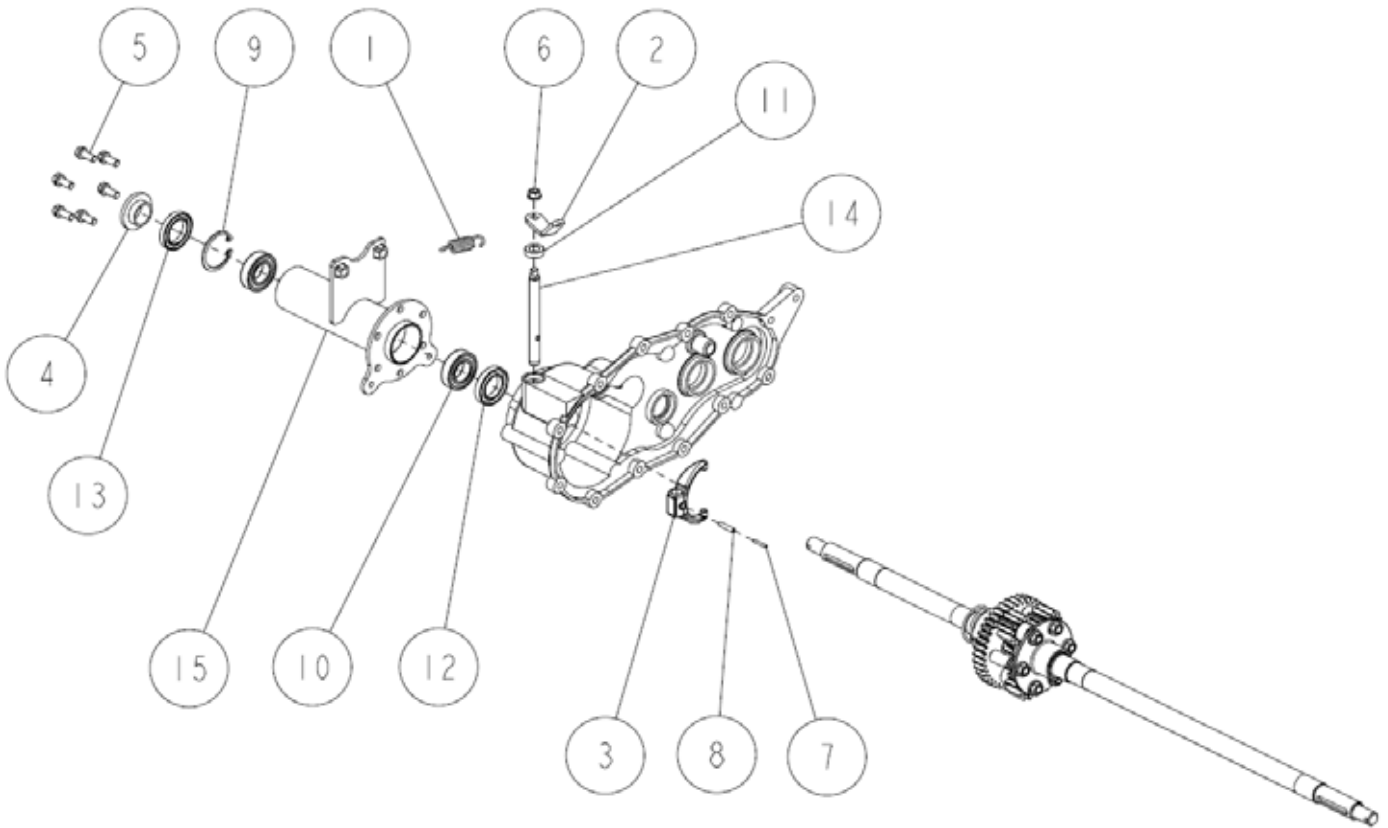
16	0281-00300	A Axle	1	
15	0207-01900	Shift Spring Holder	1	
14	0207-01700	Swing Arm CMP	1	
13	0207-00400	20T Spiral Mita Gear(L)	1	
12	0207-00100	Transmission Case(L)	1	
11	89-5121-204208	Oil Seal UE 20.42.8	1	
10	89-3410-080000	Steel Ball 8.0	1	
9	89-3115-060044	Bearing 6004 2RS	2	
8	89-2512-000420	Snap Ring (R42)	1	
7	89-2511-000170	Snap Ring (S17)	1	
6	89-2151-050200	Key 5*20 (half round)	1	
5	89-2150-050160	Key 5*16 (round)	1	
4	83-1482-143-00	Tapping Bolt M8*25	12	
3	83-1415-671-00	Blind Cover 22	1	
2	83-1020-148-00	Tapping Bolt M6*14	2	
1	80-1310-138-00	Spring 1.4	1	
Ref.	Parts Number	Parts Name	Quantity	Remarks



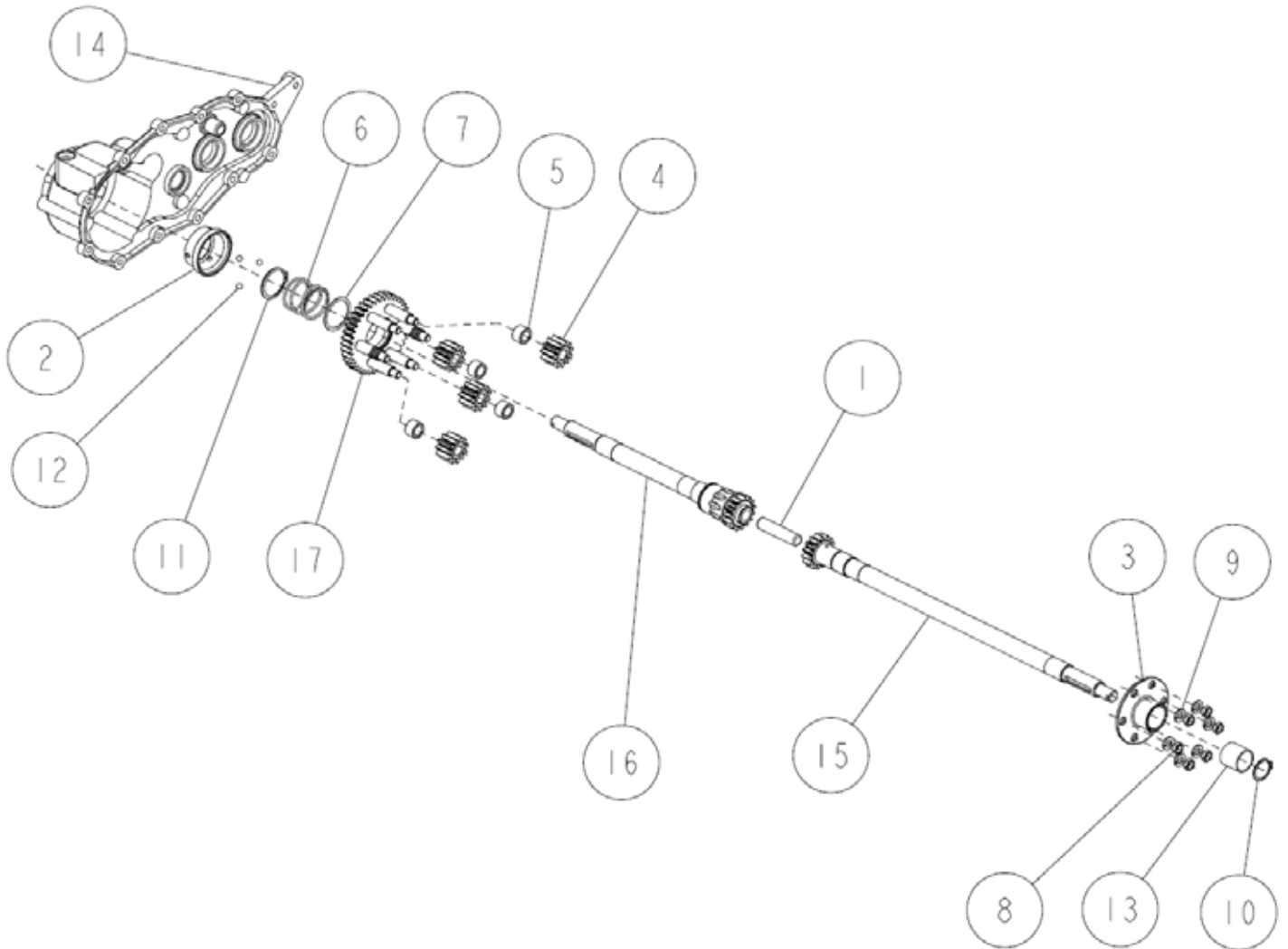
8	0207-01600	Shift Fork Shaft CMP	1	
7	0207-00910	Shift Gear 22-28	1	
6	0207-00800	C Axle Collar 9	1	
5	0207-00700	C Axle	1	
4	0207-00600	B Axle	1	
3	0207-00500	20T Spiral Mita Gear(R)	1	
2	89-3111-060044	Bearing 6004	4	
1	83-1415-671-00	Blind Cover 22	1	
Ref.	Parts Number	Parts Name	Quantity	Remarks



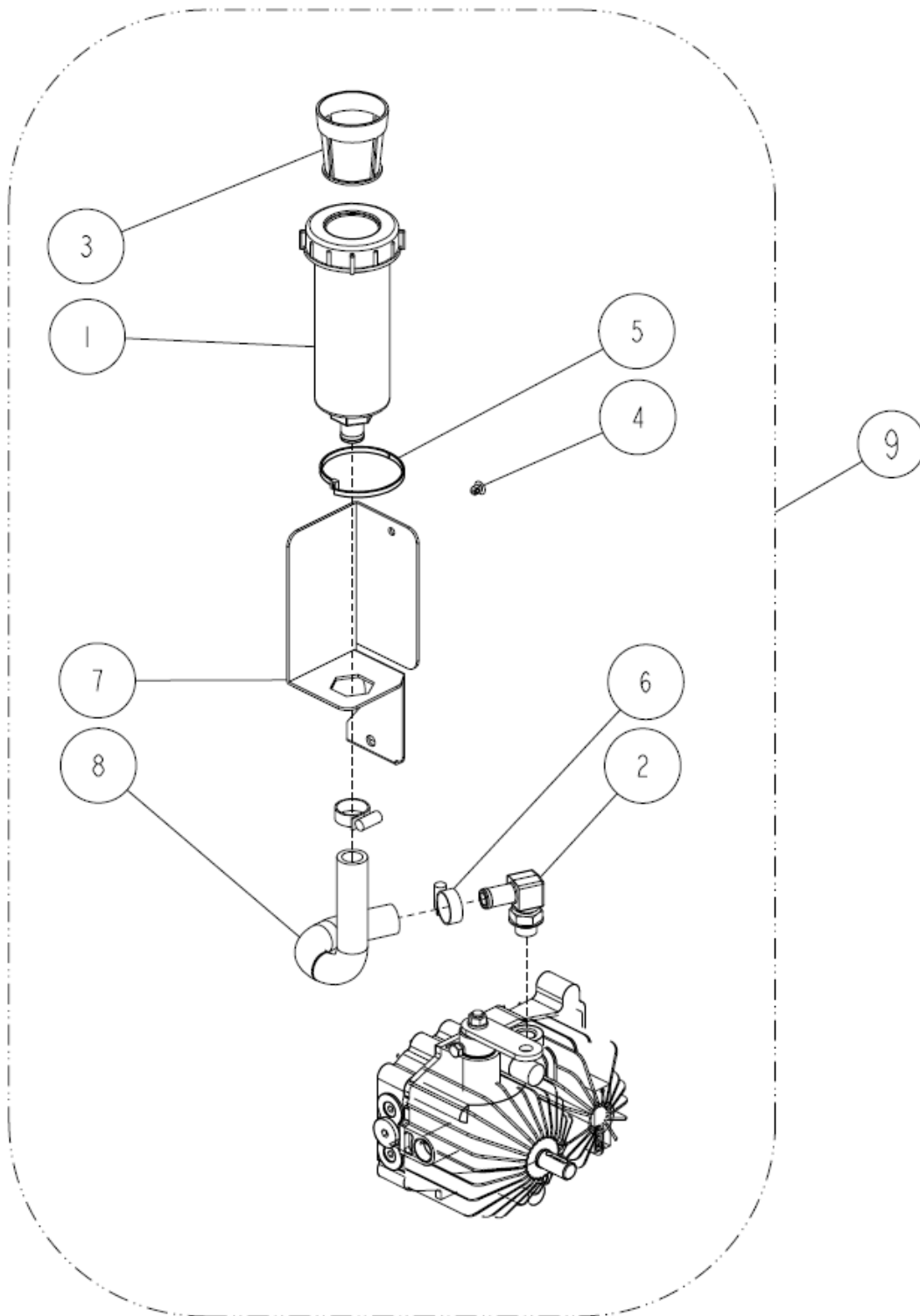
9	0244-00400	D Axle	1	
8	0207-01500	Brake Shaft Collar 8	1	
7	0207-01400	D Axle 37T Gear	1	
6	0207-01310	Brake Shaft 34T Gear	1	
5	0207-01210	Brake Shaft 40T Gear	1	
4	0207-01100	Brake Shaft	1	
3	89-3111-062034	Roulement 6203	2	
2	89-3111-062024	Roulement 6202	2	
1	83-1020-361-00	Thrust Washer 15*24*1.0	1	
Ref.	Parts Number	Parts Name	Quantity	Remarks



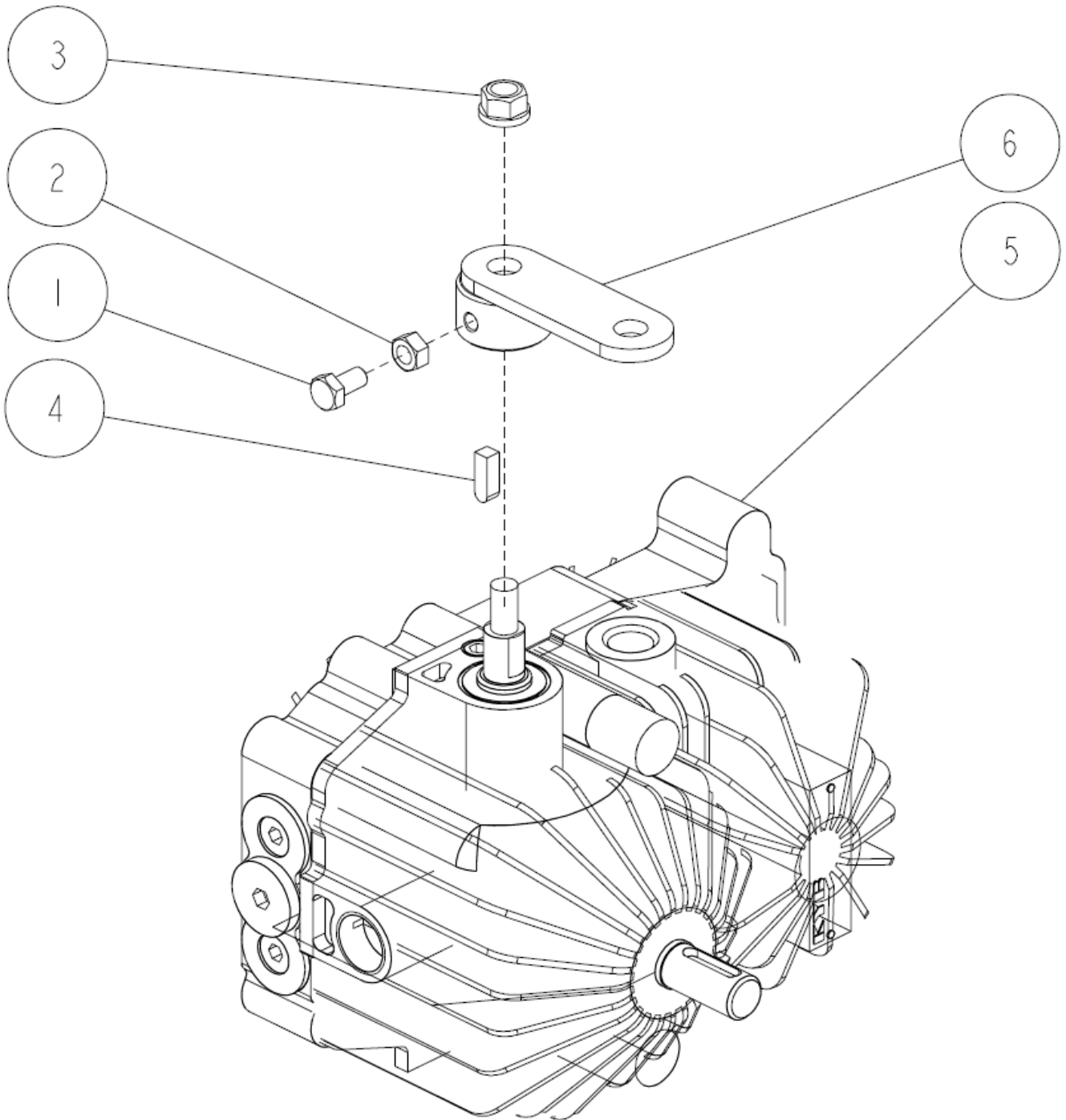
15	0281-00200	Axle Case CMP (R)	1	
14	0207-01800	Differential Lock Fork Shaft	1	
13	89-5121-304707	Oil Seal UE 30.47.7	1	
12	89-5121-284708	Oil Seal UE 28.47.8	1	
11	89-5121-122207	Oil Seal UE 12.22.7	1	
10	89-3115-060054	Bearing 6005 2RS	2	
9	89-2512-000470	Snap Ring (R47)	1	
8	89-2111-050022	Spring Pin 5*22	1	
7	89-2111-030020	Spring Pin 3*20	1	
6	89-1543-080002	Mini Hexagonal Nut (SW) M8	1	
5	89-1232-080202	Mini Hexagonal Bolt (SW) M8*20	6	
4	83-1415-663-00	Oil Seal AP 30.47.7	1	
3	80-1830-113-00	Differential Lock Fork	1	
2	80-1488-153-00	Differential Lock Arm	1	
1	80-1425-551-00	Differential Lock Spring	1	
Ref.	Parts Number	Parts Name	Quantity	Remarks



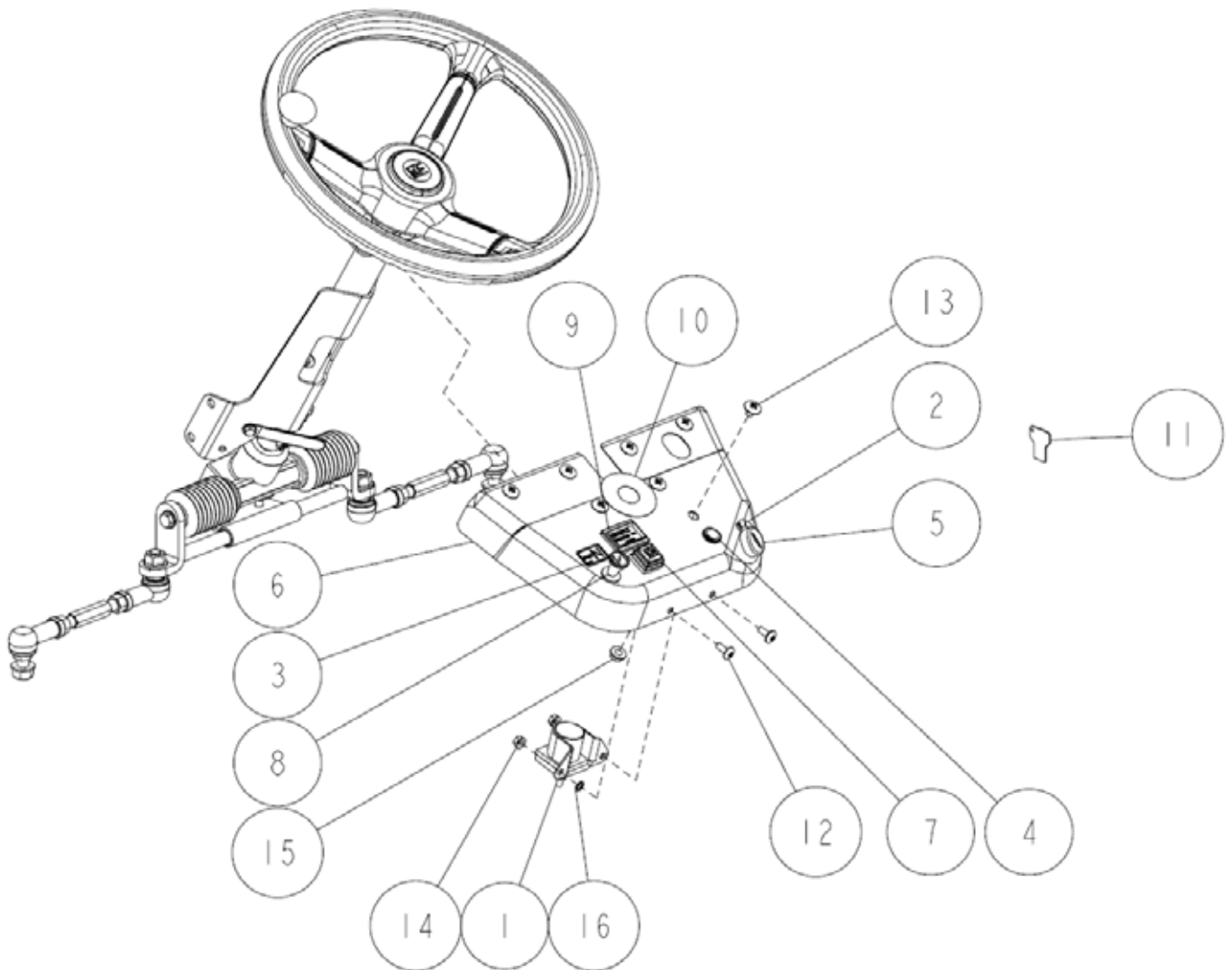
17	0244-00300	Axle Gear 39T CMP	1	
16	0207-02220	Axle(R) CMP	1	
15	0207-02120	Axle(L) CMP	1	
14	0207-00200	Transmission Case(R)	1	
13	89-3510-028300	DU Bush 28.30	1	
12	89-3410-075000	Steel Ball 7.5	3	
11	89-2511-000400	Snap Ring (S40)	1	
10	89-2511-000280	Snap Ring (S28)	1	
9	89-1750-100002	Spring Washer 10	6	
8	89-1613-100042	Mini Hexagonal Nut (3 sorts) M10	6	
7	83-1830-382-00	Thrust Washer 40*48*1.0	1	
6	80-1751-162-00	Differential Lock Spring	1	
5	80-1481-155-00	Differential Gear Shaft Collar	4	
4	80-1481-152-00	Differential Lock Gear 11T	4	
3	80-1481-151-00	Differential Lock Plate	1	
2	80-1425-143-00	Differential Lock Cone	1	
1	80-1415-150-00	Axle Pin	1	
Ref.	Parts Number	Parts Name	Quantity	Remarks



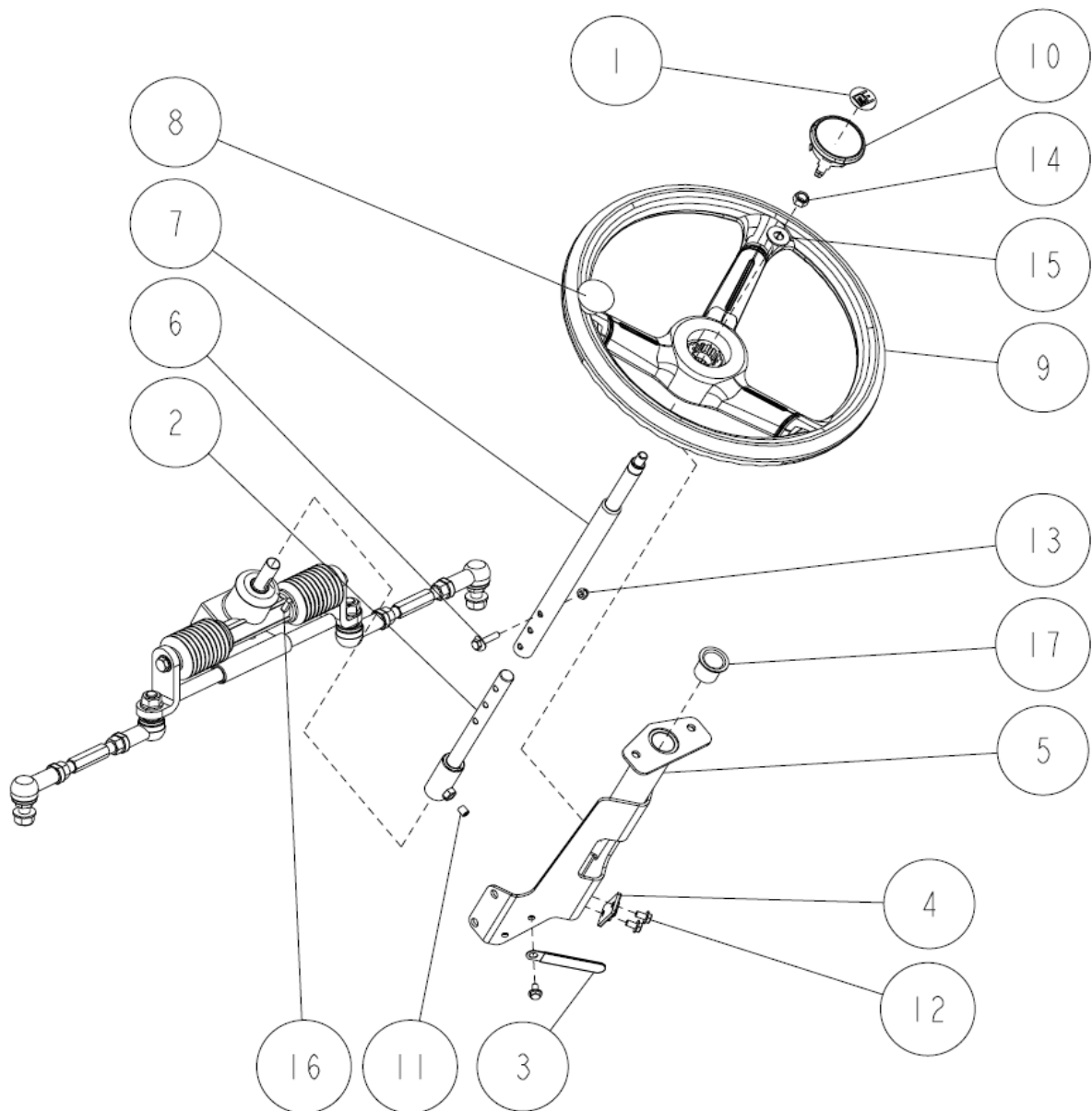
9	0244-09200	HST Unit Assy	-	
8	0244-72700	HST Oil Hose	1	
7	0244-01500	HST Oil Tank Setting	1	
6	0228-70200	Hose Band 24	2	
5	0207-79900	Wire Band 250L	1	
4	0207-79800	Push Clip	1	
3	0207-71300	Filter (with level)	1	
2	0207-07700	Port Joint	1	
1	0207-07630	Oil Tank	1	
Ref.	Parts Number	Parts Name	Quantity	Remarks



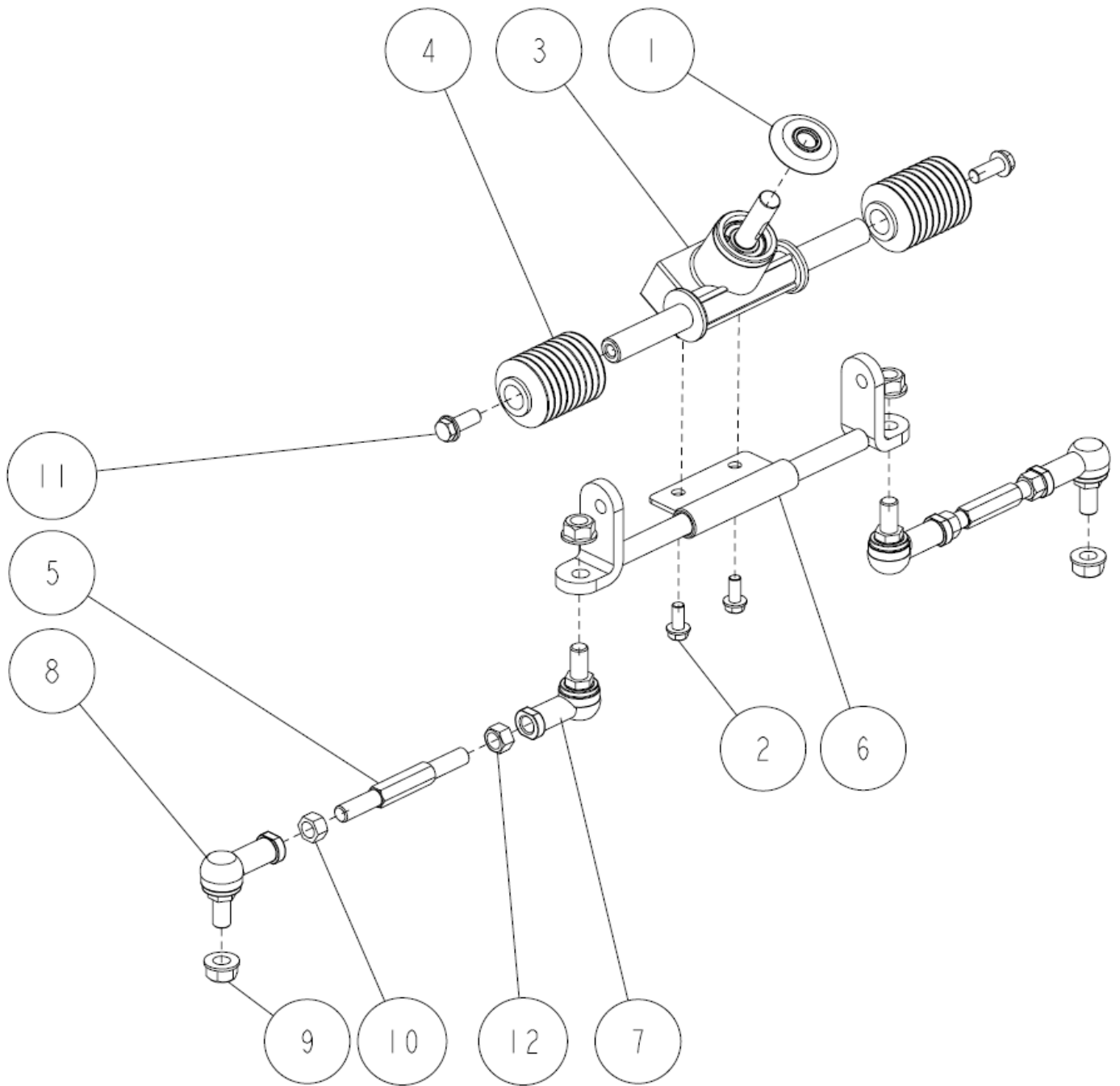
6	0244-01400	Control Arm CMP	1	
5	0244-09200	HST Unit Assy	-	
4	89-2151-050160	Key 5*16 (half round)	1	
3	89-1543-080002	Mini Hexagonal Nut (SW) M8	1	
2	89-1511-060042	Hexagonal Nut M6	1	
1	89-1113-060122	Hexagonal Bolt (8T) M6*12	1	
Ref.	Parts Number	Parts Name	Quantity	Remarks



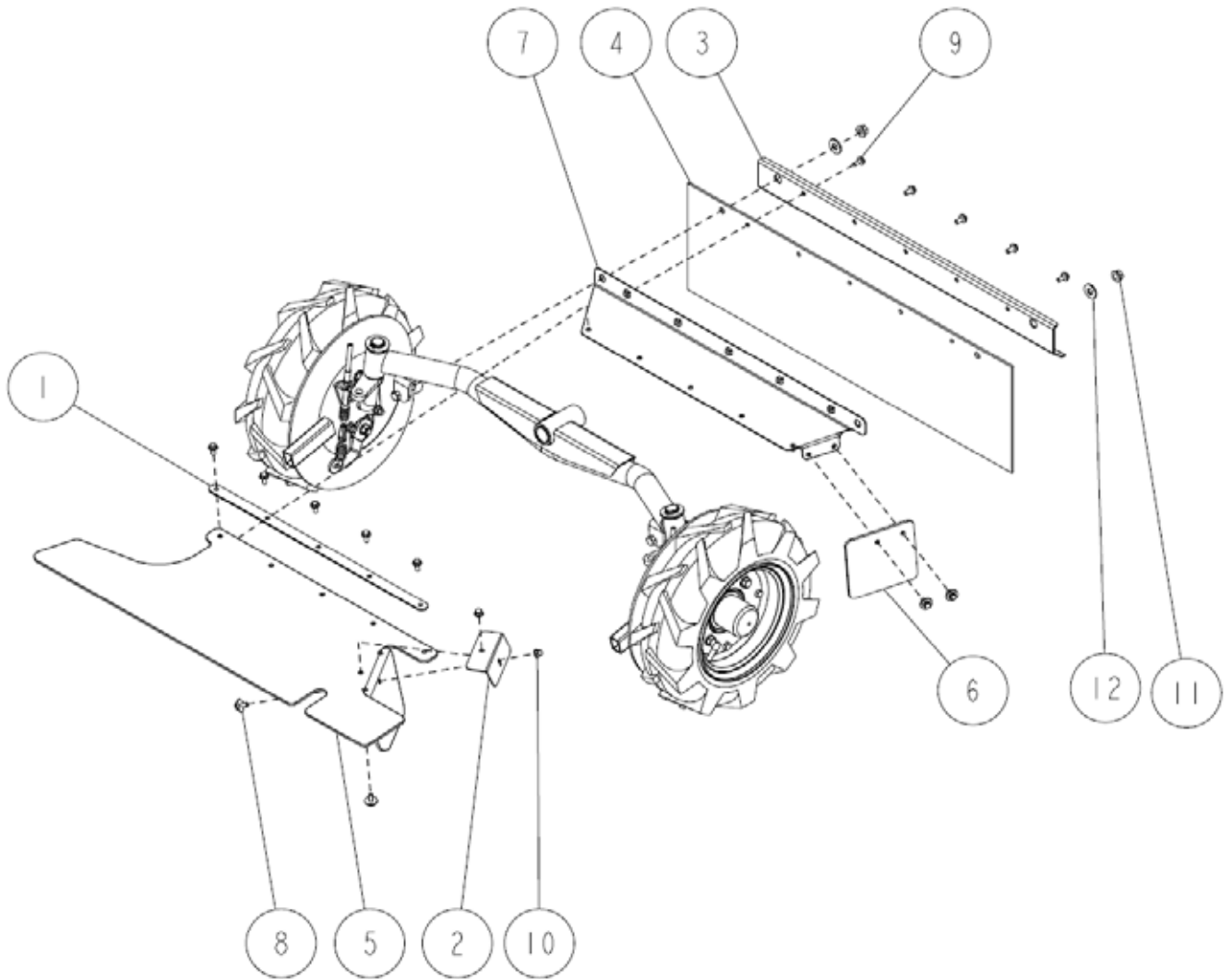
16	89-1812-060002	Toothed washer (inside) 6	1	
15	89-1631-080042	Flange Mini Hexagonal Nut M8	1	
14	89-1541-060002	Hexagonal Nut (SW) M6	2	
13	89-1159-080108	Truss Mini Screw M8*10	7	
12	89-1159-060168	Truss Mini Screw M6*16	2	
11	0244-75600	Key Plate	1	
10	0244-75400	Blind Washer	1	
9	0244-73600	Hour Meter	1	
8	0244-72600	Choke Wire B	1	
7	0244-70300	Lighting Switch	1	
6	0244-15100	Control Panel (B&S)	1	
5	0207-79700	Key Switch	1	
4	0207-79300	Pilot Lamp	1	
3	80-1488-924-00	Label, Chork (13118)	1	
2	80-1488-912-00	Label, Key (13121)	1	
1	80-1483-978-00	Magnetic Switch (MS2-401)	1	
Ref.	Parts Number	Parts Name	Quantity	Remarks



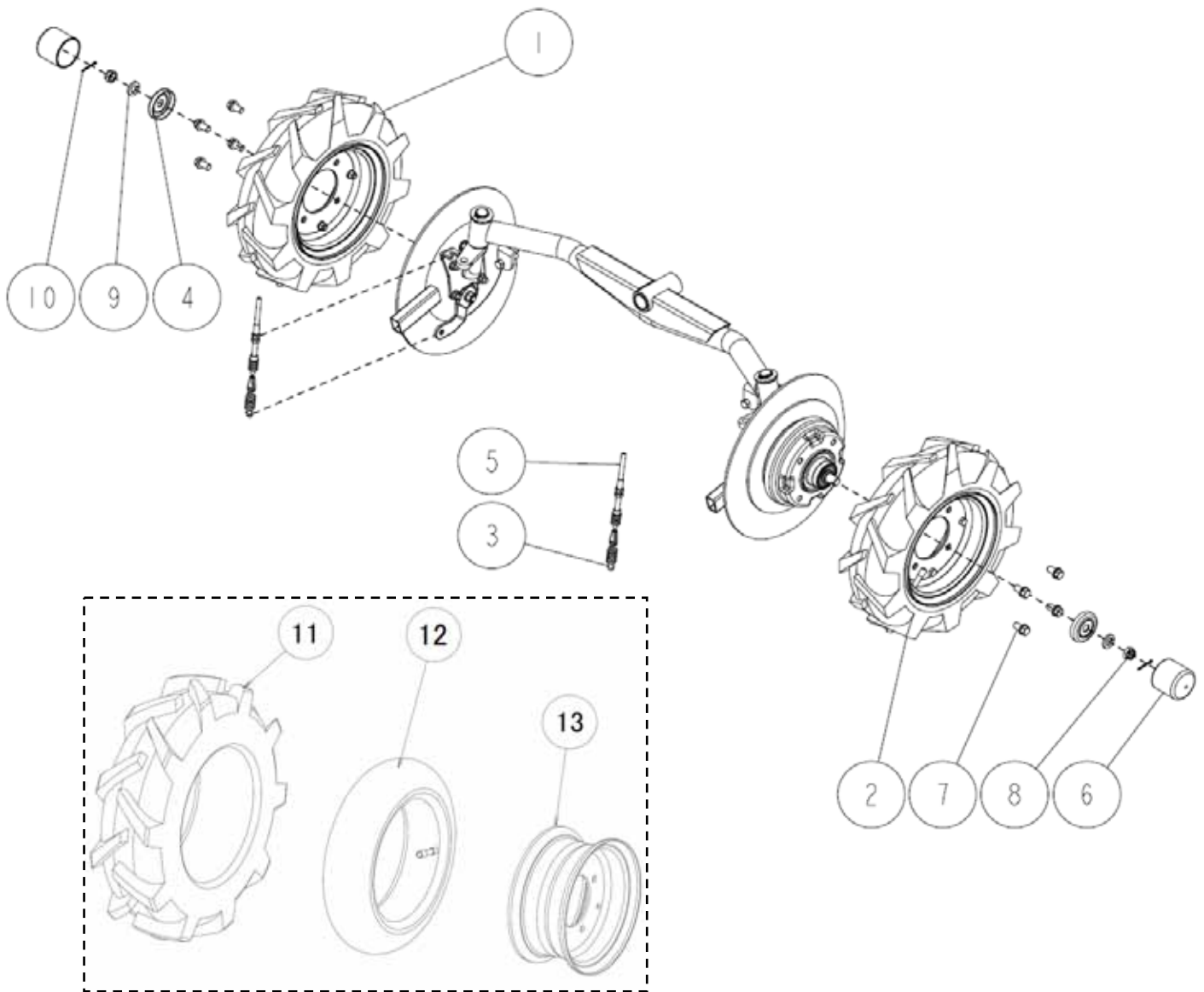
8.9.10	0262-70100	Steering Wheel Assy	-	
17	89-3511-022250	DU Bush 22.25.33F	1	
16	89-2150-050200	Key 5*20 (round)	1	
15	89-1713-100002	Flat Washer 10 (large)	1	
14	89-1561-100002	Mini Hexagonal U Nut M10	1	
13	89-1553-060002	Bag Hexagonal U Nut M6	1	
12	89-1137-060122	Hexagonal Bolt (PW) M6*12	3	
11	83-1493-149-00	Hexagonal Screw M8*10	1	
10	0262-70500	Steering Cap	1	
9	0262-70400	Steering Wheel	1	
8	0262-70300	Sub Handle Assy	1	
7	0262-10200	Steering Upper Shaft	1	
6	0244-75800	Bolt for Upper Shaft Setting	1	
5	0244-20600	Handle Supporter CMP	1	
4	0207-79200	Fuse Box Bracket	1	
3	80-1792-988-00	Harness Clip 8	1	
2	80-1481-324-20	Steering Lower Shaft	1	
1	0244-80700	Label, Handle (Blue)	1	
Ref.	Parts Number	Parts Name	Quantity	Remarks



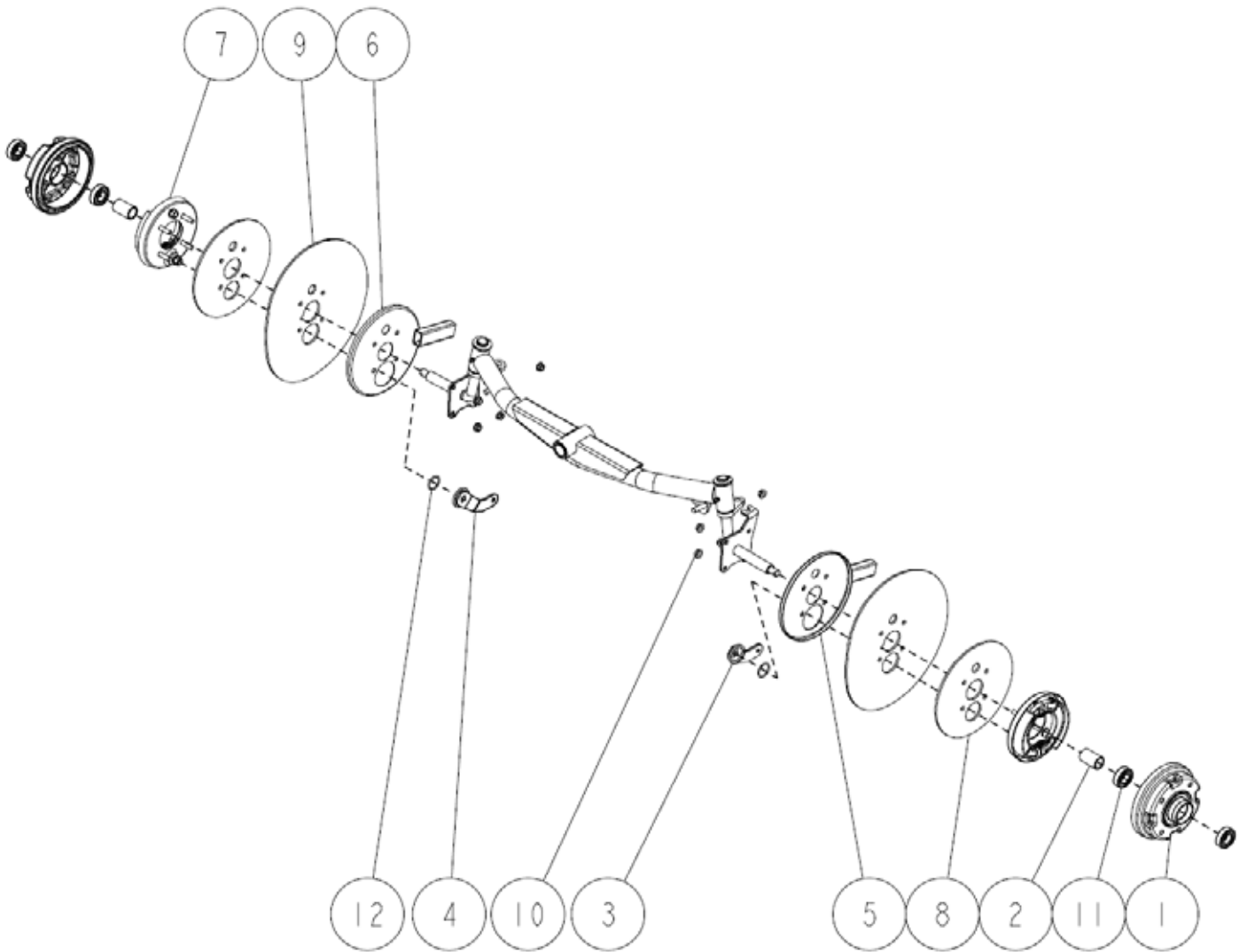
12	89-1612-120042	Mini Hexagonal Nut (Slender) M12	2	
11	89-1254-100252	Flange Mini Hexagonal Bolt M10*25 P=1	2	
10	0244-73800	Hexagonal Nut (slender) M12 Left	2	
9	0244-71900	Tough Lock Nut M12=P1.25	4	
8	0244-71800	Link Ball 12 (L)	2	
7	0244-71700	Link Ball 12 (R)	2	
6	0244-31400	Rack Support	1	
5	0244-31300	Tie Rod Adjuster	2	
4	80-1490-967-00	Steering Boots	2	
3	80-1484-962-10	Steering Gear Box Assy	1	
2	80-1020-719-00	Hexagonal Tap Tight M8*18	2	
1	80-1016-461-00	Bearing Cover	1	
Ref.	Parts Number	Parts Name	Quantity	Remarks



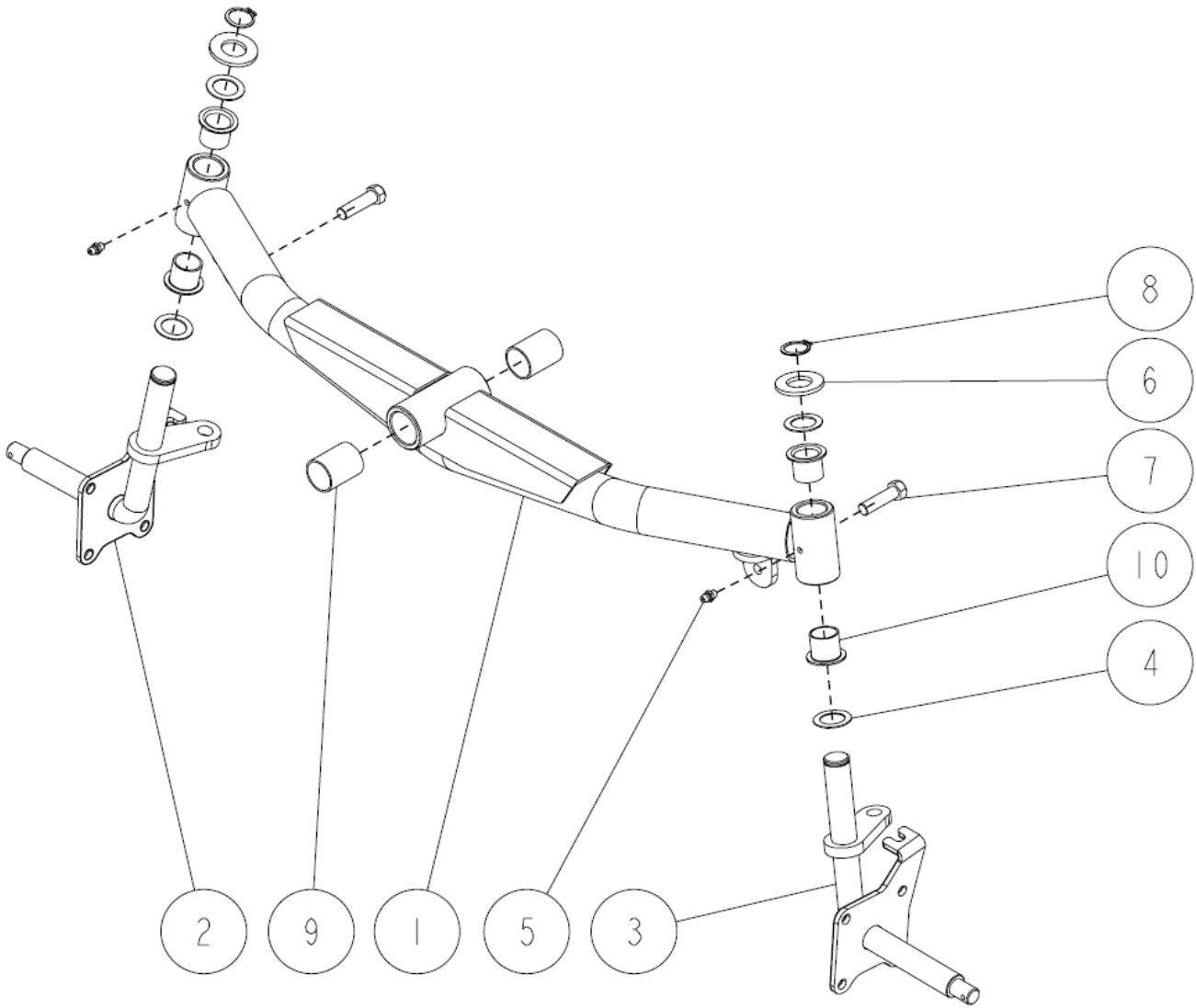
12	89-1713-10002	Flat Washer 10 (large)	2	
11	89-1631-10042	Flange Mini Hexagonal Nut M10	2	
10	89-1581-06042	Flange Cap Nut M6	2	
9	89-1137-060152	Hexagonal Bolt (PW) M6*15	10	
8	83-1565-111-00	Hexagonal Bolt (with Big Washer) M6*16	4	
7	0255-60600	Front Upper Guard CMP	1	
6	0255-60500	Upper Guard Flapper	1	
5	0255-60200	Upper Flapper	1	
4	0228-60500	Front Flapper	1	
3	0217-63400	Foot Guard	1	
2	0207-60900	Upper Flapper Holder (R)	1	
1	0207-60800	Upper Flapper Holder	1	
Ref.	Parts Number	Parts Name	Quantity	Remarks



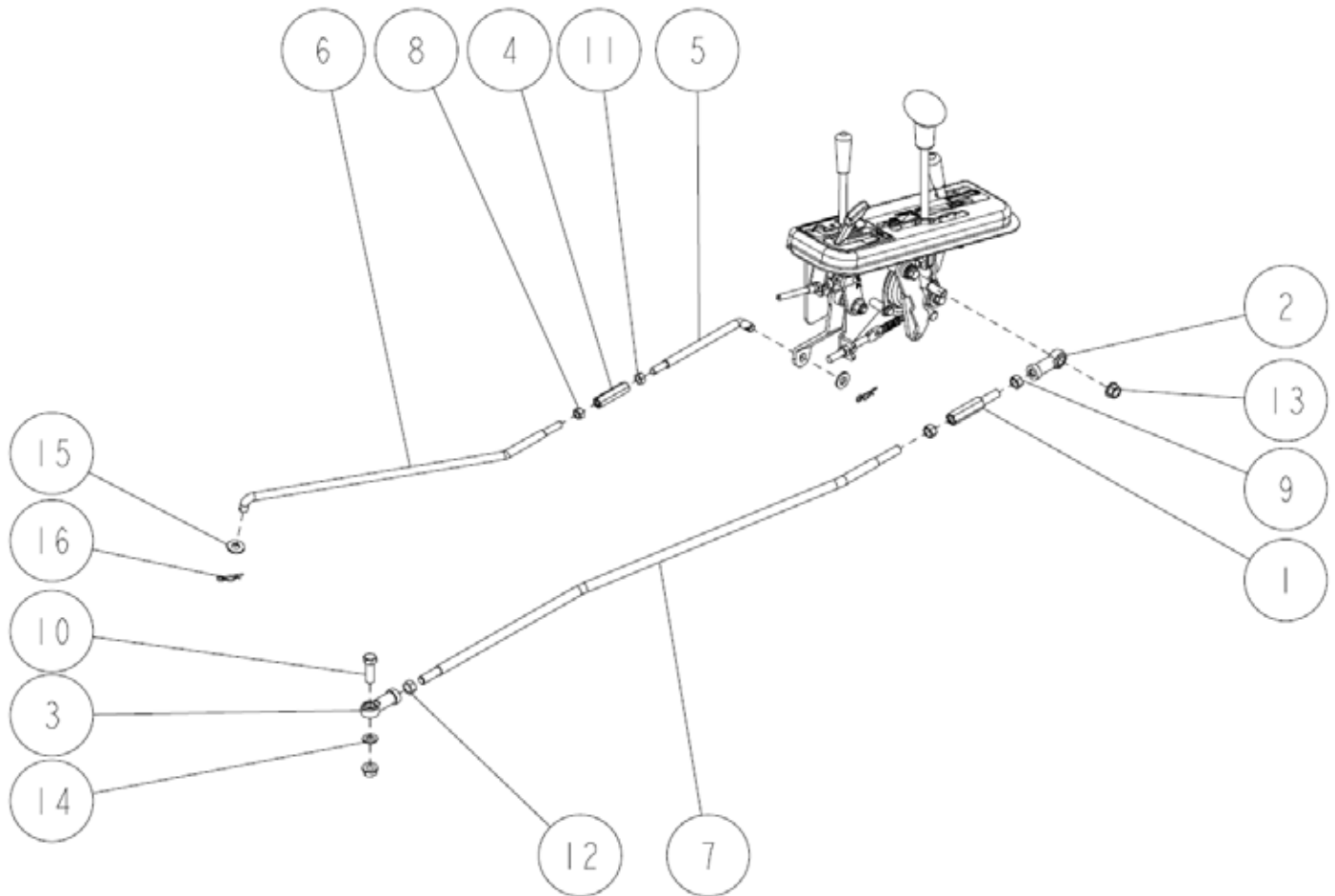
13	80-1260-407-00	Wheel Assy 3.50-7	2	
12	80-1260-404-00	Tire Tube 3.50-7	2	
11	80-1260-401-10	Tire (3.50*7)	2	
10	89-2120-250252	Split Pin 2.5*25	2	
9	89-1750-140002	Spring Washer 14	2	
8	89-1668-140042	Mini Low Fluted Nut (2 sorts) M14	2	
7	89-1232-100202	Mini Hexagonal Bolt (SW) M10*20	8	
6	0244-76100	Wheel Cap (Front)	2	
5	0240-75100	Front Brake Wire	2	
4	0207-30500	Front Wheel Dust Cover	2	
3	80-1425-551-00	Differential Lock Spring	2	
2	80-1260-412-00	Front Wheel Tire (R) Assy (3.50-7)	1	
1	80-1260-411-00	Front Wheel Tire (L) Assy (3.50-7)	1	
Ref.	Parts Number	Parts Name	Quantity	Remarks



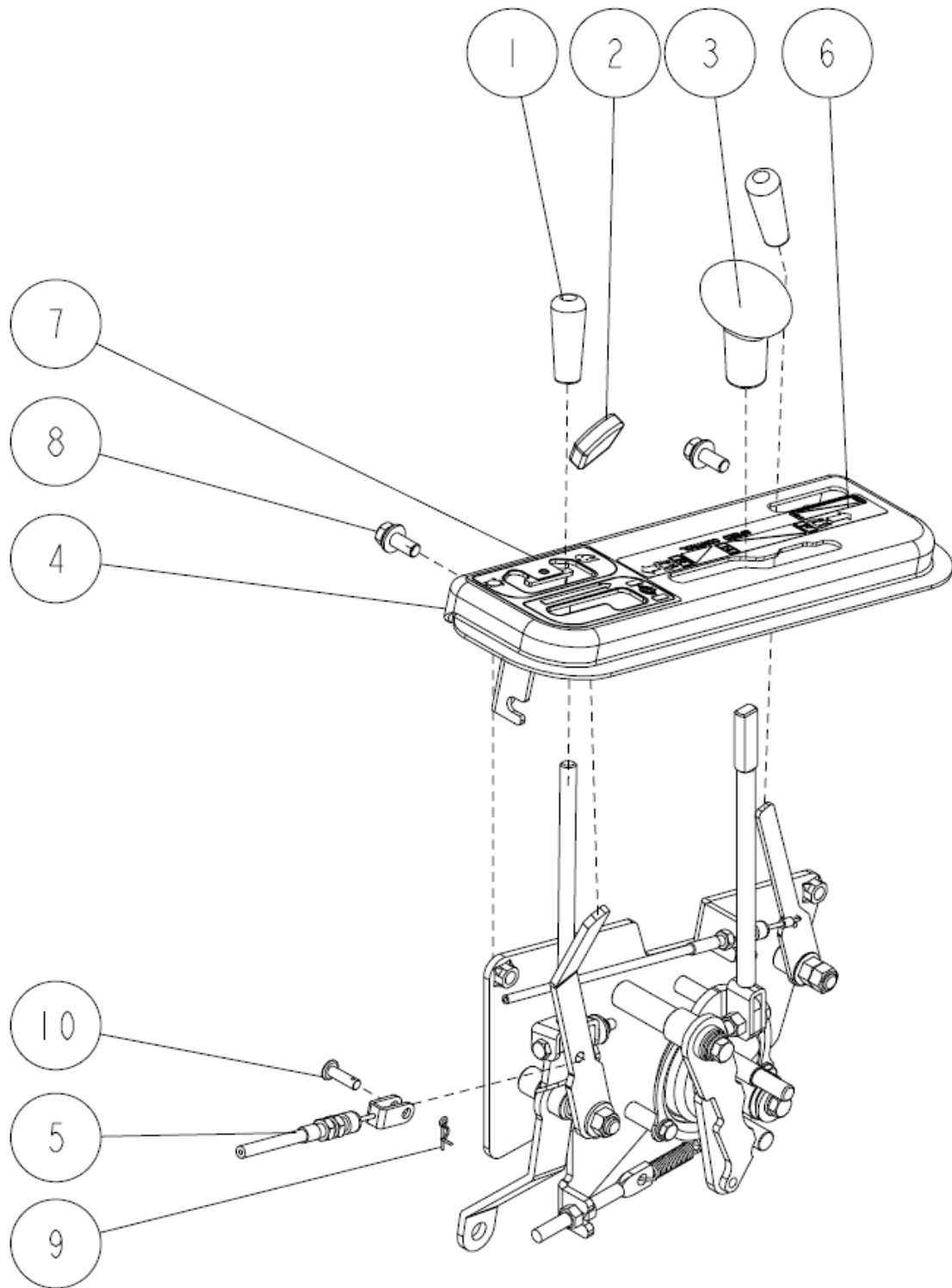
12	89-5221-025000	O Ring P25	2	
11	89-3115-060044	Bearing 6004 2RS	4	
10	89-1631-080042	Flange Mini Hexagonal Nut M8	8	
9	0240-62210	Front Wheel Rubber Cover	2	
8	0240-62110	Front Wheel Rubber Cover (IN)	2	
7	0240-32100	Brake Shoe φ130	2	
6	0240-31500	Brake Cover CMP (R)	1	
5	0240-31400	Brake Cover CMP (L)	1	
4	0240-31300	Brake Arm CMP (R)	1	
3	0240-31200	Brake Arm CMP (L)	1	
2	0240-31100	King Pin Collar	2	
1	0240-30300	Wheel Boss	2	
Ref.	Parts Number	Parts Name	Quantity	Remarks



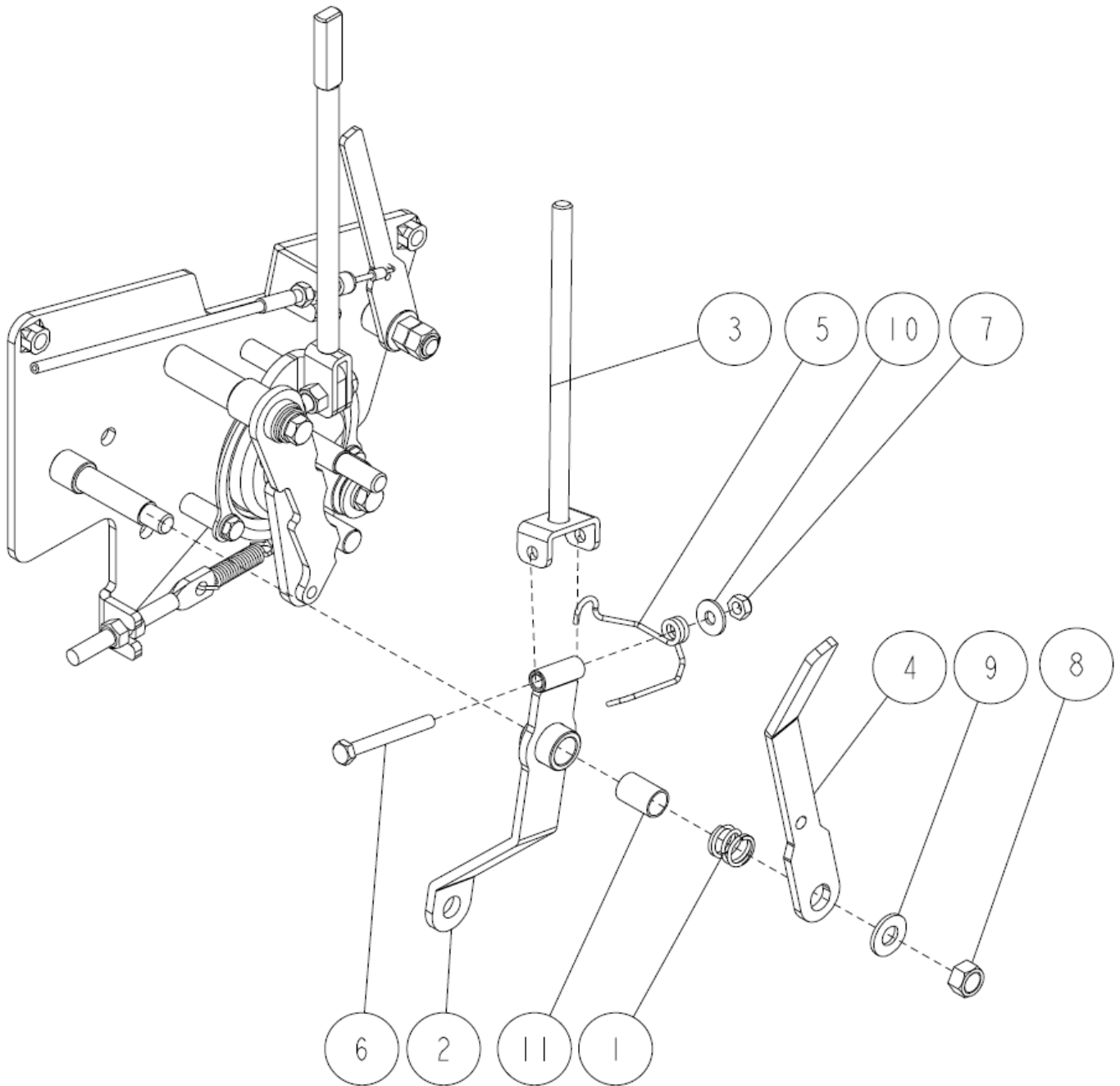
10	89-3511-020200	DU Bush 20.20.31F	4	
9	89-3510-025350	DU Bush 25.35	2	
8	89-2511-000200	Snap Ring (S20)	2	
7	89-1213-100252	Mini Hexagonal Bolt (8T) M10*25	2	
6	83-1490-337-00	Washer 20*38*3.2	2	
5	83-1415-975-00	Grease Nipple M6	2	
4	83-1310-371-00	Thrust Washer 20*30*1.0	4	
3	0292-94200	King Pin RM97FB (L)	1	
2	0292-94100	King Pin RM97FB (R)	1	
1	0244-32100	Front Axle CMP	1	
Ref.	Parts Number	Parts Name	Quantity	Remarks



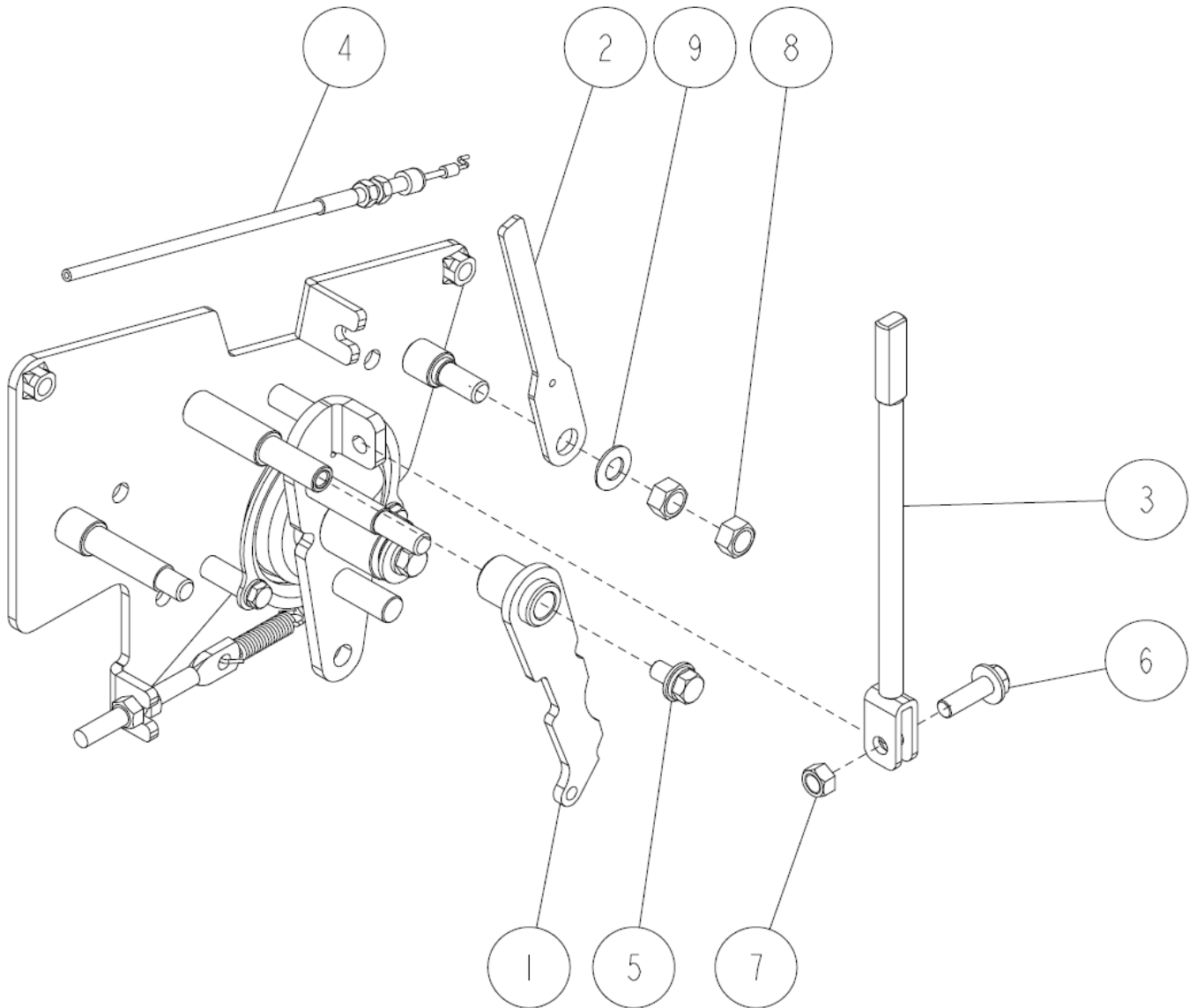
16	89-2131-100002	Snap Pin 10	2	
15	89-1712-100002	Flat Washer 10*21*2.1	2	
14	89-1711-100002	Flat Washer 10*18*1.6	1	
13	89-1631-100042	Flange Mini Hexagonal Nut M10	2	
12	89-1611-100042	Mini Hexagonal Nut M10	2	
11	89-1611-080042	Mini Hexagonal Nut M8	1	
10	89-1213-100302	Mini Hexagonal Bolt (8T) M10*30	1	
9	83-1488-195-02	Mini Hexagonal Nut M10 (L)	1	
8	83-1484-195-00	Mini Hexagonal Nut M8 (L)	1	
7	0244-13800	Shift Rod	1	
6	0244-13500	Sub Change Rod (rear)	1	
5	0207-11100	Sub Change Rod (front)	1	
4	80-1791-597-00	Turn Buckle 8*50	1	
3	80-1487-964-10	Rod End PHS10EC	1	
2	80-1487-962-10	Rod End PHS10ECL	1	
1	80-1485-265-00	Shift Rod Adjuster	1	
Ref.	Parts Number	Parts Name	Quantity	Remarks



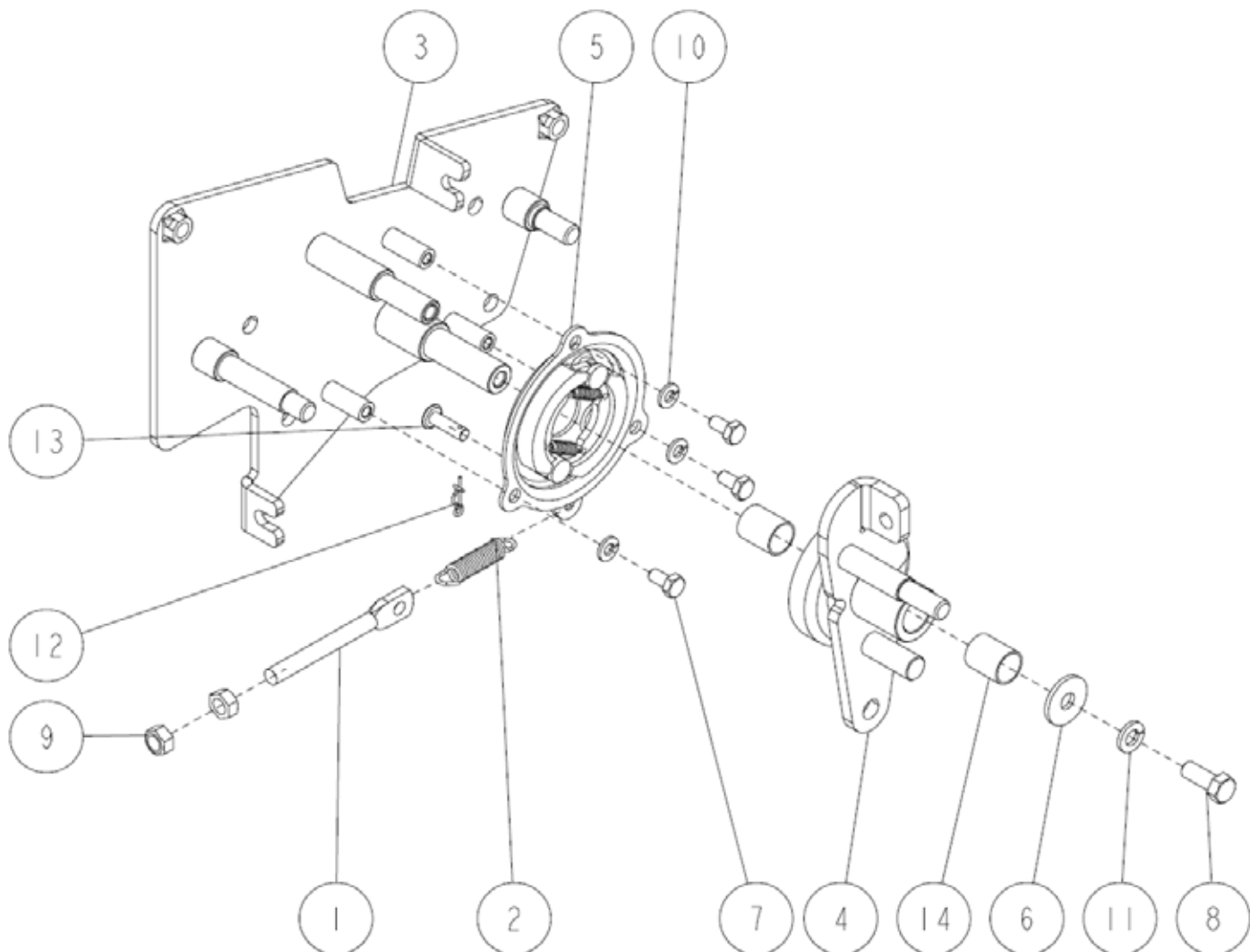
10	89-2181-060202	Flat Head Pin 6*20	1	
9	89-2132-060002	Snap Pin 6 (with stopper)	1	
8	89-1233-080202	Mini Hexagonal Bolt (PWSW) M8*20	2	
7	0259-80500	Label, Differential Lock (13257)	1	
6	0259-80400	Label, Change (13256)	1	
5	0244-72400	Differential Lock Wire	1	
4	0244-13400	Change Guide CMP	1	
3	0221-13200	Change Grip	1	
2	0215-70600	Lever Grip (Red)	1	
1	0207-72600	Lever Grip 8 (black)	2	
Ref.	Parts Number	Parts Name	Quantity	Remarks



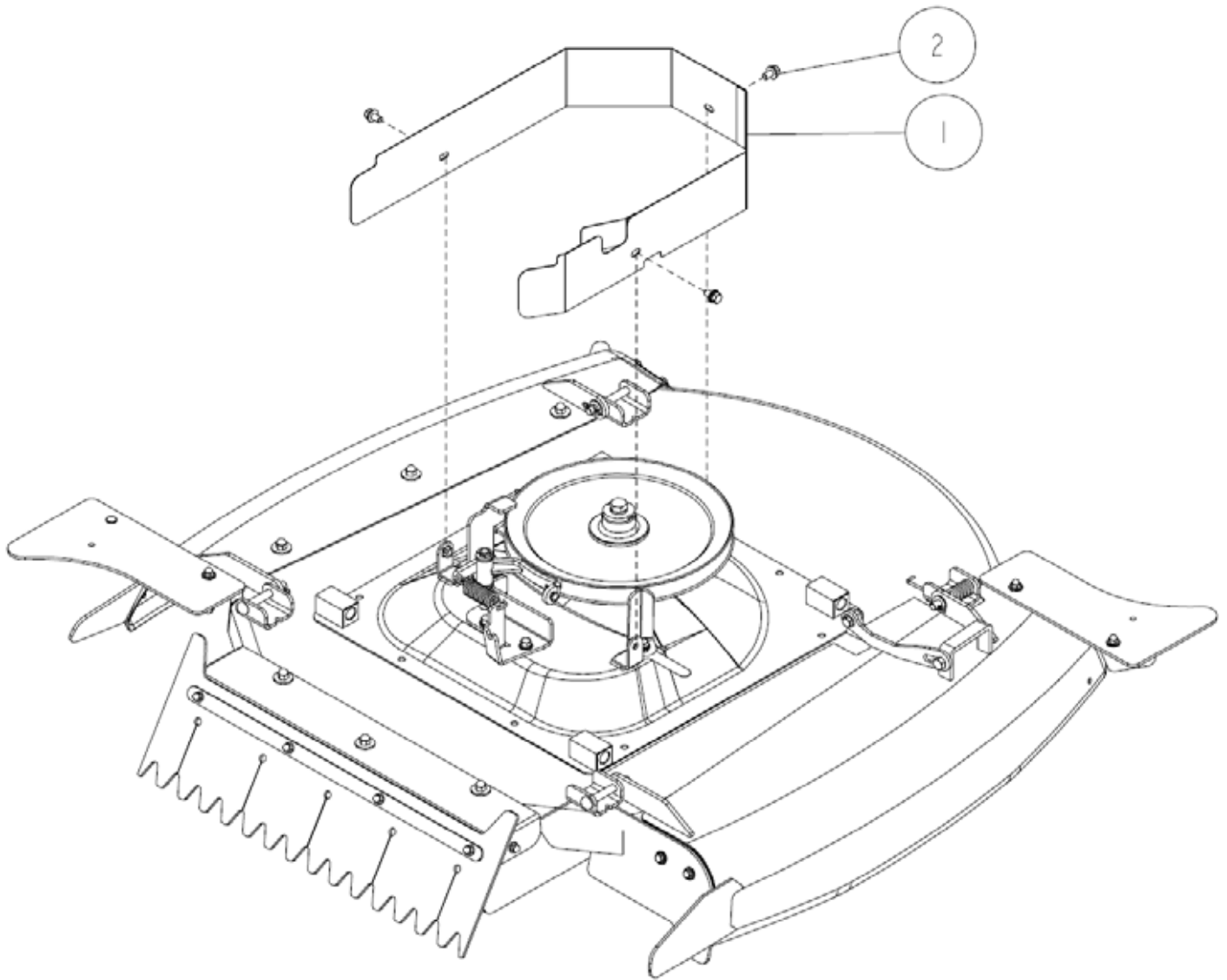
11	89-3510-012200	DU Bush 12.20	1	
10	89-1713-060002	Flat Washer 6 (large)	1	
9	89-1712-100000	Flat Washer 10	1	
8	89-1561-100002	Mini Hexagonal U Nut M10	1	
7	89-1551-060002	Hexagonal U Nut M6	1	
6	89-1113-060552	Hexagonal Bolt (8T) M6*55	1	
5	0244-73300	Spring for Differential Lock Lever	1	
4	0244-13200	Differential Lock Lever CMP	1	
3	0244-12700	Sub Change Lever CMP	1	
2	0244-12600	Sub Change Arm CMP	1	
1	80-1020-263-00	Control Lever Shaft Spring	1	
Ref.	Parts Number	Parts Name	Quantity	Remarks



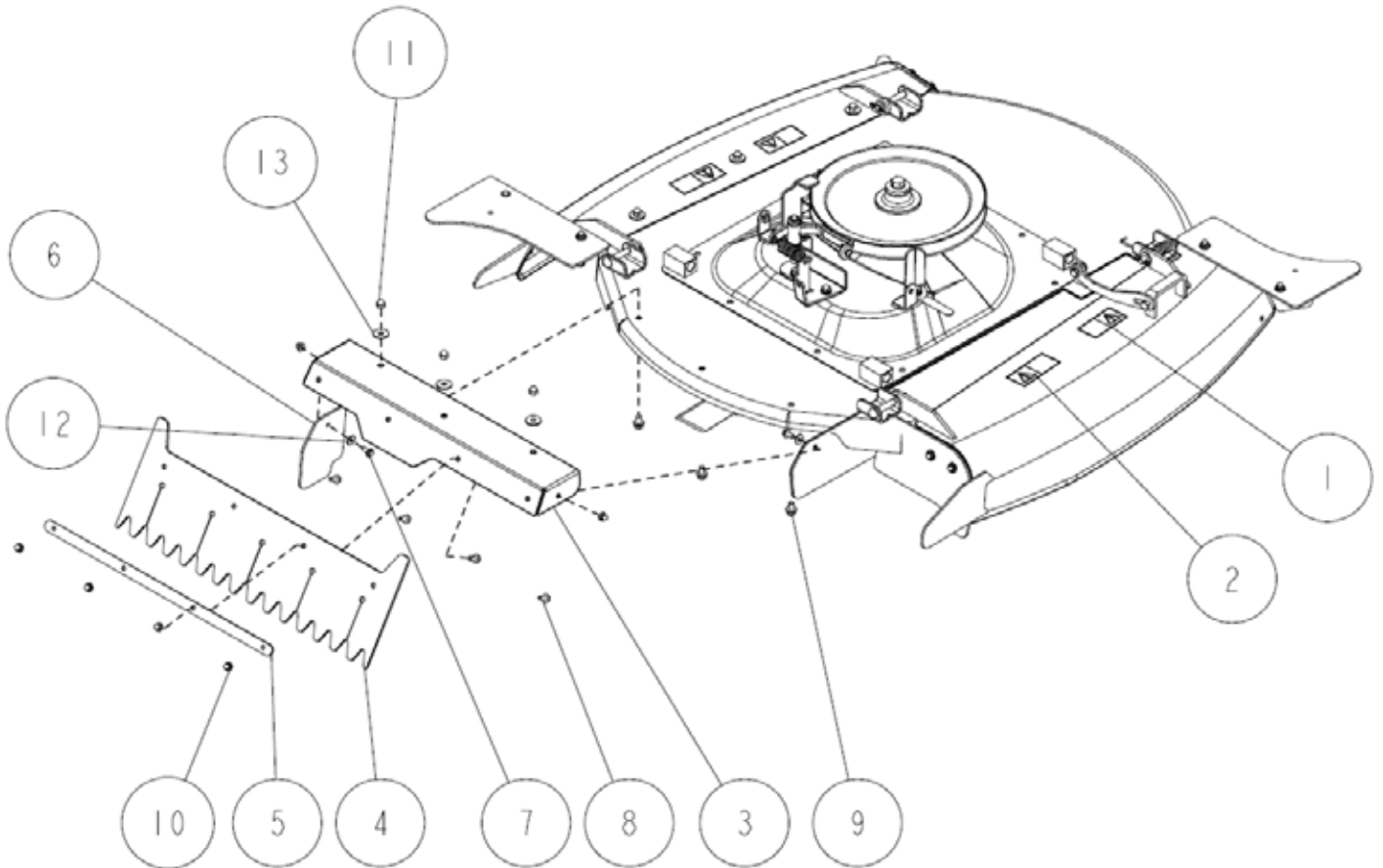
9	89-1852-10000	Belleville Spring H10	1	
8	89-1611-10042	Mini Hexagonal Nut M10	2	
7	89-1561-080002	Mini Hexagonal U Nut M8	1	
6	89-1253-080252	Flange Mini Hexagonal Bolt (8T) M8*25	1	
5	89-1233-080162	Mini Hexagonal Bolt (PWSW) M8*16	1	
4	0244-72100	Throttle Wire (B)	1	
3	0244-15500	Change Lever (S) CMP	1	
2	0244-12500	Throttle Lever	1	
1	0244-12300	Change Arm CMP	1	
Ref.	Parts Number	Parts Name	Quantity	Remarks



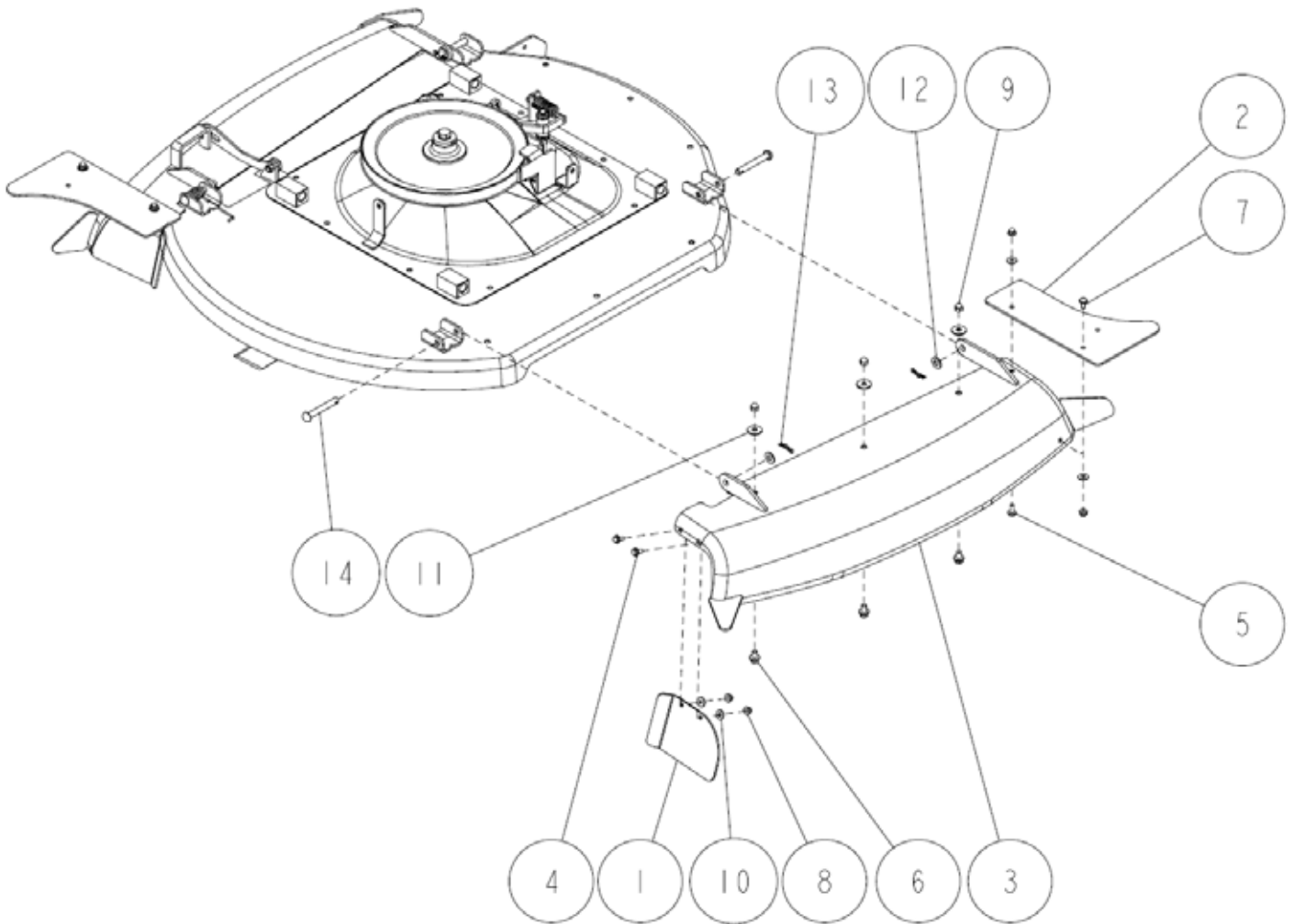
14	89-3510-015200	DU Bush 15.20	2	
13	89-2181-060202	Flat Head Pin 6*20	1	
12	89-2132-060002	Snap Pin 6 (with stopper)	1	
11	89-1750-080002	Spring Washer 8	1	
10	89-1750-060002	Spring Washer 6	3	
9	89-1611-080042	Mini Hexagonal Nut M8	2	
8	89-1211-080202	Mini Hexagonal Bolt M8*20	1	
7	89-1113-060122	Hexagonal Bolt (8T) M6*12	3	
6	83-1751-311-00	Flat Washer 8*25*2.3	1	
5	0244-12800	Brake Assy	1	
4	0244-12200	Change Brake CMP	1	
3	0244-12100	Change Bracket CMP	1	
2	0225-11800	Spring, Change Brake	1	
1	0207-72300	Change Brake Adjuster	1	
Ref.	Parts Number	Parts Name	Quantity	Remarks



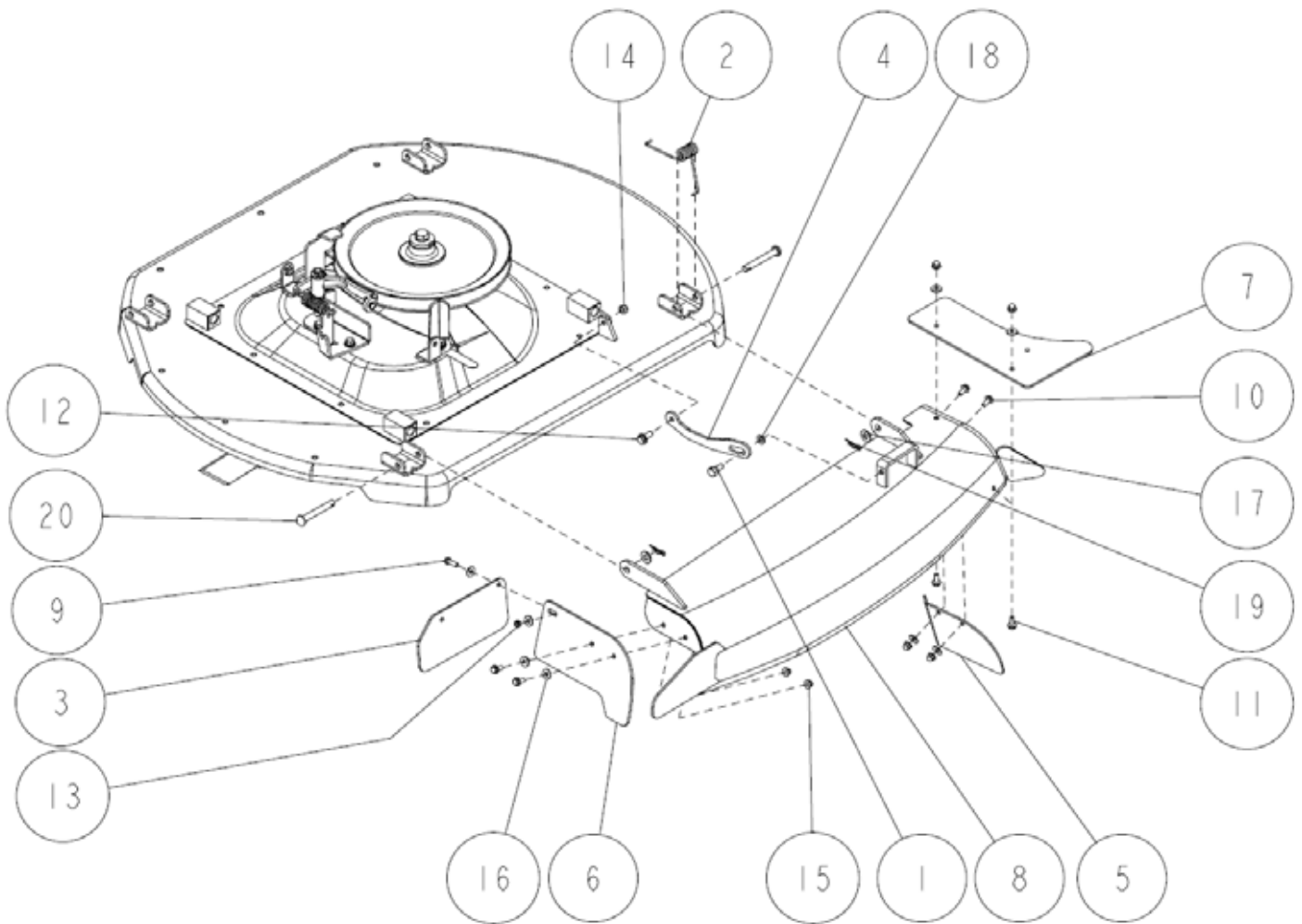
2	89-1233-080162	Mini Hexagonal Bolt (PWSW) M8*16	3	
1	0259-60300	Knife Belt Cover (CE) AV98	1	
Ref.	Parts Number	Parts Name	Quantity	Remarks



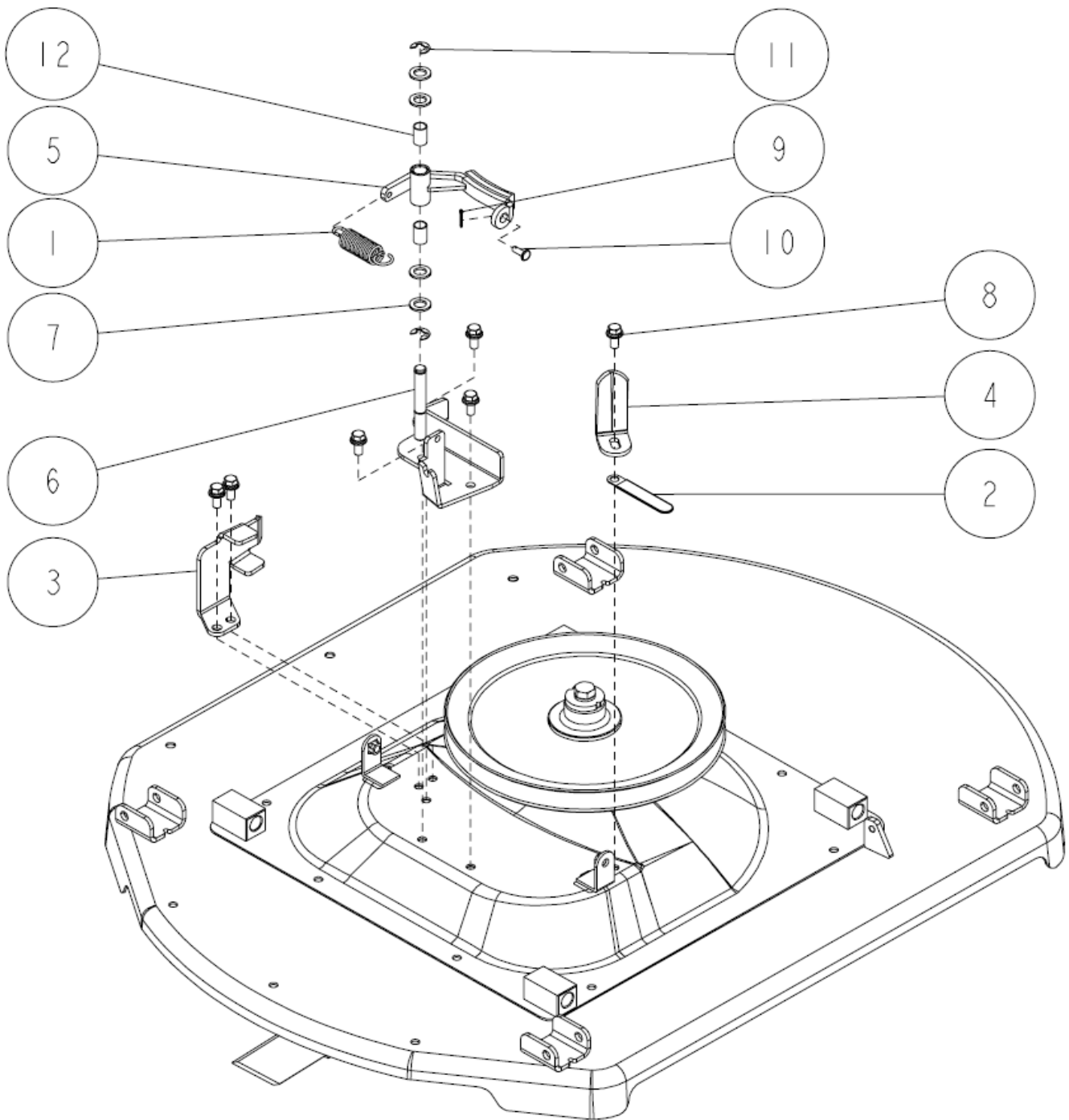
13	89-1714-080002	Flat Washer 8	3	
12	89-1713-060002	Flat Washer 6 (large)	2	
11	89-1671-080042	Mini Cap Nut M8	3	
10	89-1581-060042	Flange Cap Nut M6	6	
9	89-1233-080162	Mini Hexagonal Bolt (PWSW) M8*16	3	
8	89-1137-060172	Hexagonal Bolt (PW) M6*17	4	
7	89-1137-060152	Hexagonal Bolt (PW) M6*15	2	
6	0244-62600	Side Flapper (Rear)	1	
5	0244-61400	Rear Guard Flapper Holder	1	
4	0244-61300	Rear Guard Flapper	1	
3	0244-61200	Rear Guard	1	
2	80-1488-928-10	Label, Caution for Belt Involving	2	
1	80-1488-926-10	Label, Caution for Knife	2	
Ref.	Parts Number	Parts Name	Quantity	Remarks



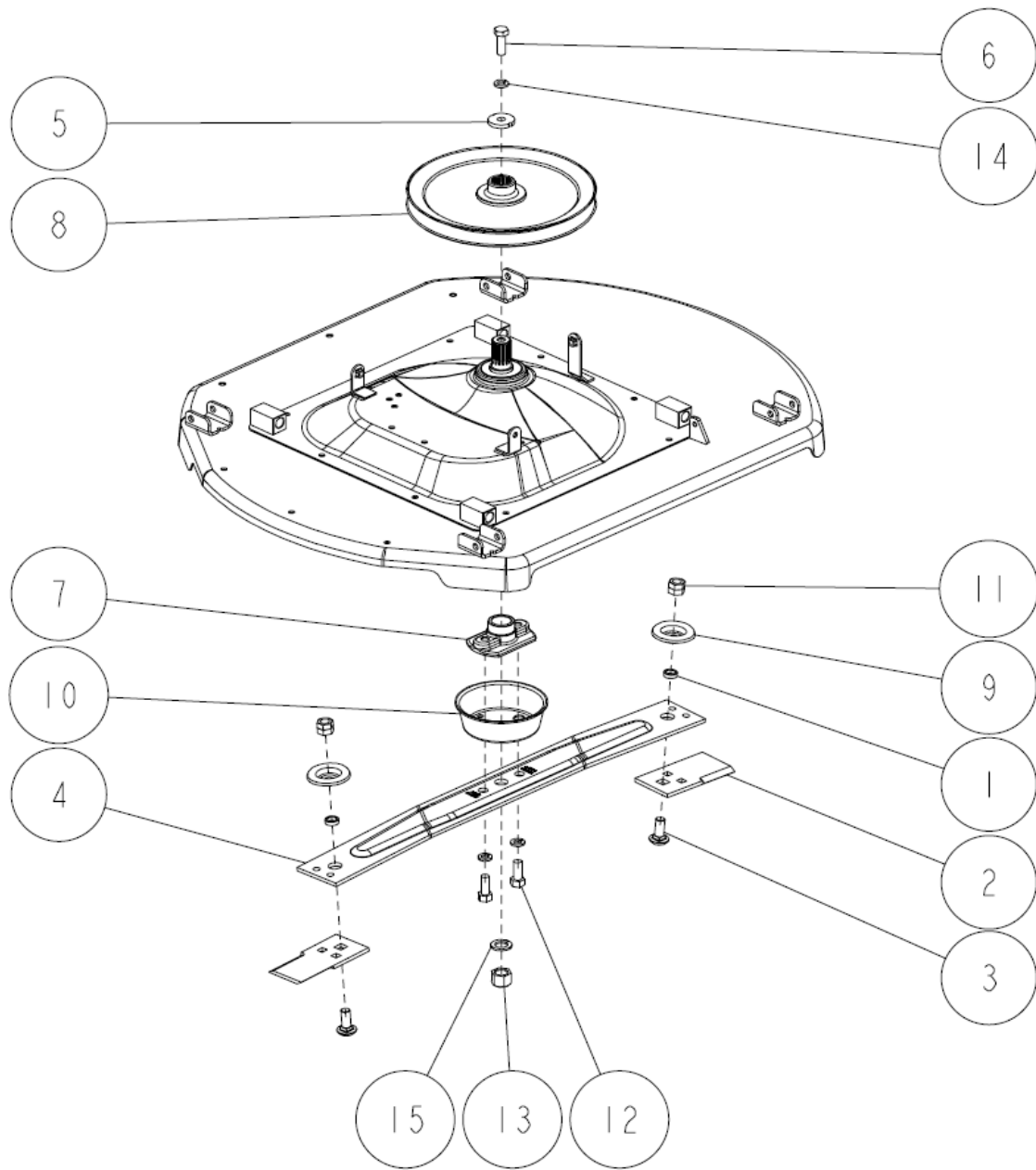
14	89-2191-100720	Round Head Pin 10*72	2	
13	89-2131-100002	Snap Pin 10	2	
12	89-1714-100002	Flat Washer 10	2	
11	89-1714-080002	Flat Washer 8	3	
10	89-1713-060002	Flat Washer 6 (large)	4	
9	89-1671-080042	Mini Cap Nut M8	3	
8	89-1581-060042	Flange Cap Nut M6	4	
7	89-1390-060142	Welded Bolt M6*14	1	
6	89-1233-080162	Mini Hexagonal Bolt (PWSW) M8*16	3	
5	89-1137-060172	Hexagonal Bolt (PW) M6*17	1	
4	89-1137-060152	Hexagonal Bolt (PW) M6*15	2	
3	0292-81100	Left Cover CMP (97ET)	1	
2	0292-60100	Right Cover Flapper (97)	1	
1	0259-53200	Foot Guard (Front Left)	1	
Ref.	Parts Number	Parts Name	Quantity	Remarks



20	89-2191-100720	Round Head Pin 10*72	2	
19	89-2131-100002	Snap Pin 10	2	
18	89-1750-080002	Spring Washer 8	1	
17	89-1714-100002	Flat Washer 10	2	
16	89-1713-060002	Flat Washer 6 (large)	8	
15	89-1581-060042	Flange Cap Nut M6	6	
14	89-1561-080002	Mini Hexagonal U Nut M8	1	
13	89-1551-060002	Hexagonal U Nut M6	1	
12	89-1253-080202	Flange Mini Hexagonal Bolt (8T) M8*20	1	
11	89-1137-060172	Hexagonal Bolt (PW) M6*17	4	
10	89-1137-060152	Hexagonal Bolt (PW) M6*15	2	
9	89-1111-060202	Hexagonal Bolt M6*20	1	
8	0292-81200	Right Cover CMP	1	
7	0292-60100	Right Cover Flapper (97)	1	
6	0281-60100	Side Flapper (Rear Right) 97	1	
5	0259-53100	Foot Guard (Front Right)	1	
4	0259-51700	Right Cover Up/Down Arm	1	
3	0255-60700	Rear Side Flapper (Left B)	1	
2	0244-71600	Spring for Right Cover	1	
1	80-1488-747-00	Bolt for Right Cover Up/Down Arm	1	
Ref.	Parts Number	Parts Name	Quantity	Remarks

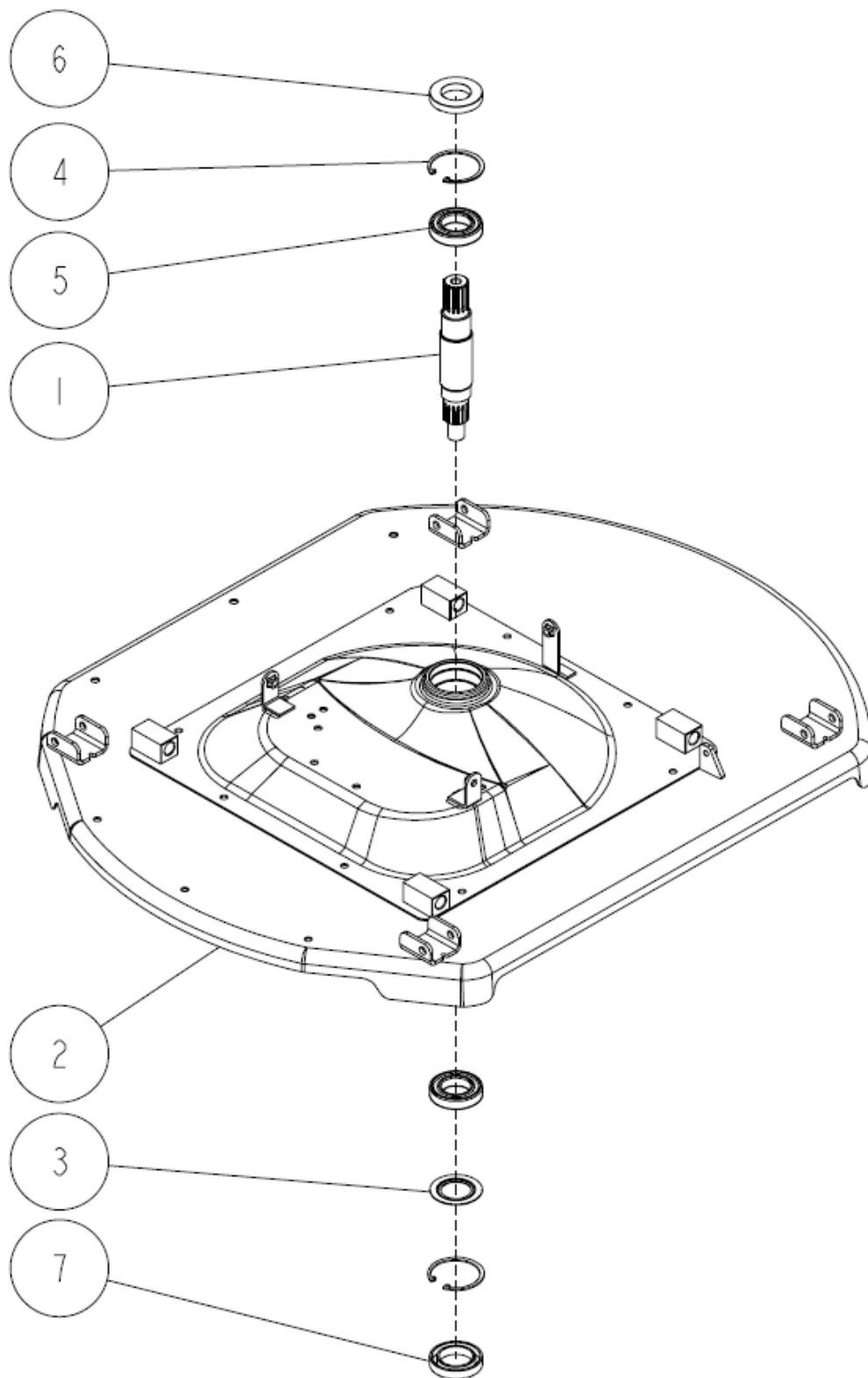


12	89-3510-012200	DU Bush 12.20	2	
11	89-2521-000100	E Type Ring 10	2	
10	89-2181-060162	Flat Head Pin 6*16	1	
9	89-2120-200152	Split Pin 2*15	1	
8	89-1233-080202	Mini Hexagonal Bolt (PWSW) M8*20	6	
7	83-1565-329-00	Washer 13*22*2.3	4	
6	0244-50710	Knife Brake Bracket CMP	1	
5	0244-50600	Knife Brake	1	
4	0244-42600	Knife Pulley Belt Holder	1	
3	0244-42400	Knife Pulley Belt Holder (L)	1	
2	80-1792-988-00	Harness Clip 8	1	
1	80-1485-551-00	Driving Tension Spring	1	
Ref.	Parts Number	Parts Name	Quantity	Remarks

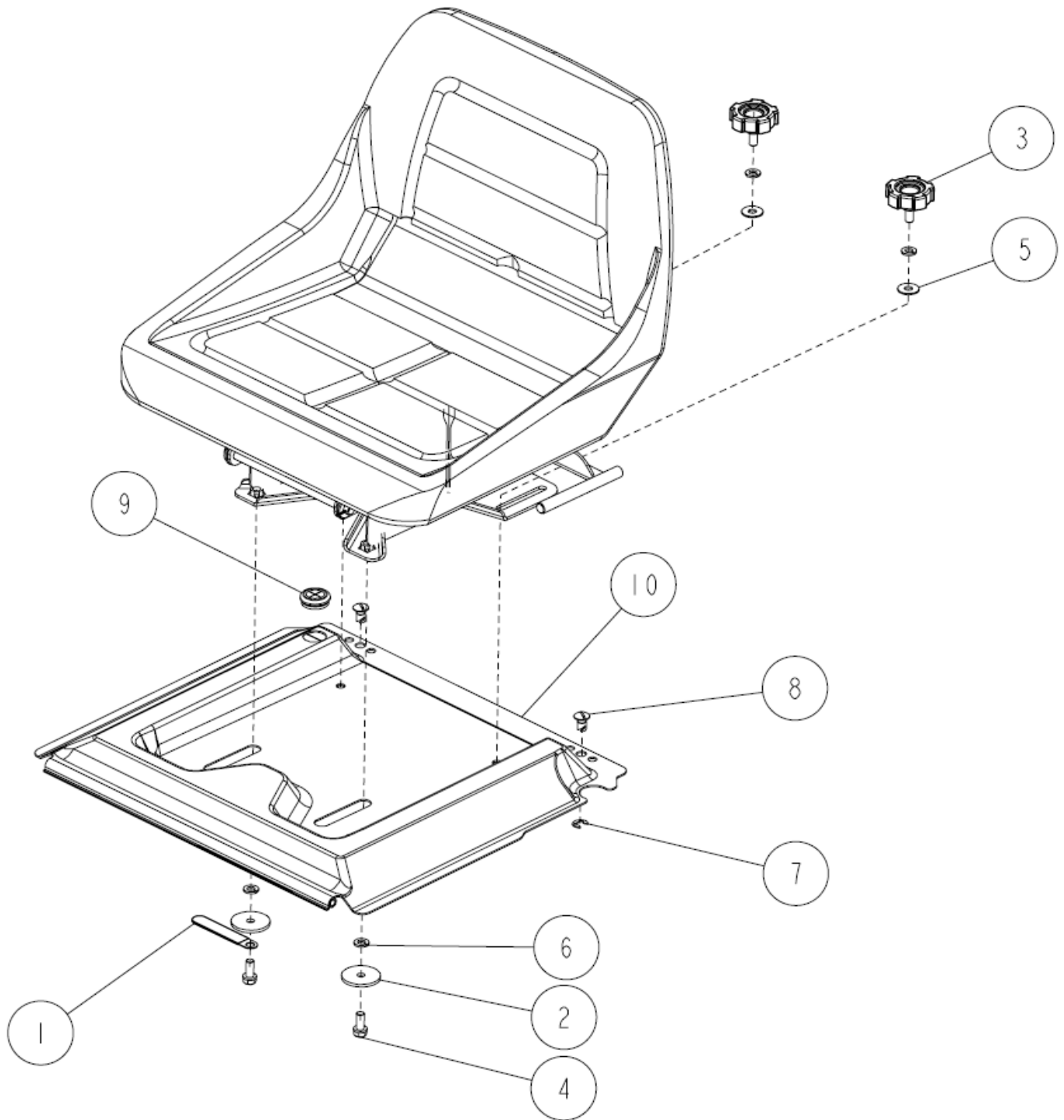


1.2.3.9.11	0244-78010	Kit 2 couteaux avec visserie complet	(1)	
3.1.9.11	0244-78200	Kit visserie pour montage 2 couteaux	(1)	<i>No.3 / 2pcs including</i>
15	89-1750-200002	Rondelle grower M20	1	
14	89-1750-120002	Rondelle grower M12	3	
13	83-1483-175-00	Ecrou borgne M20 (Lock)	1	
12	83-1483-129-00	Vis (8T) M12 x 30	2	
11	0244-74600	Double ecrou frein M14	2	
10	0244-52100	Bol de lame	1	
9	0244-51800	Coupelle protege ecrou M14	2	
8	0244-51500	Poulie du plateau de coupe	1	
7	0238-51100	Moyeu de lame	1	
6	0221-76200	Vis (8T) M12 x 35	1	
5	0221-76100	Rondelle poulie de plateau M12 x 40 x 6	1	
4	0217-50500	Porte lame	1	
3	0207-50200	Vis tete carre M14 x 34	2	
2	80-1483-821-00	Couteau	2	
1	80-1483-818-00	Entretoise de porte lame	2	
Ref.	Parts Number	Parts Name	Quantity	Remarks

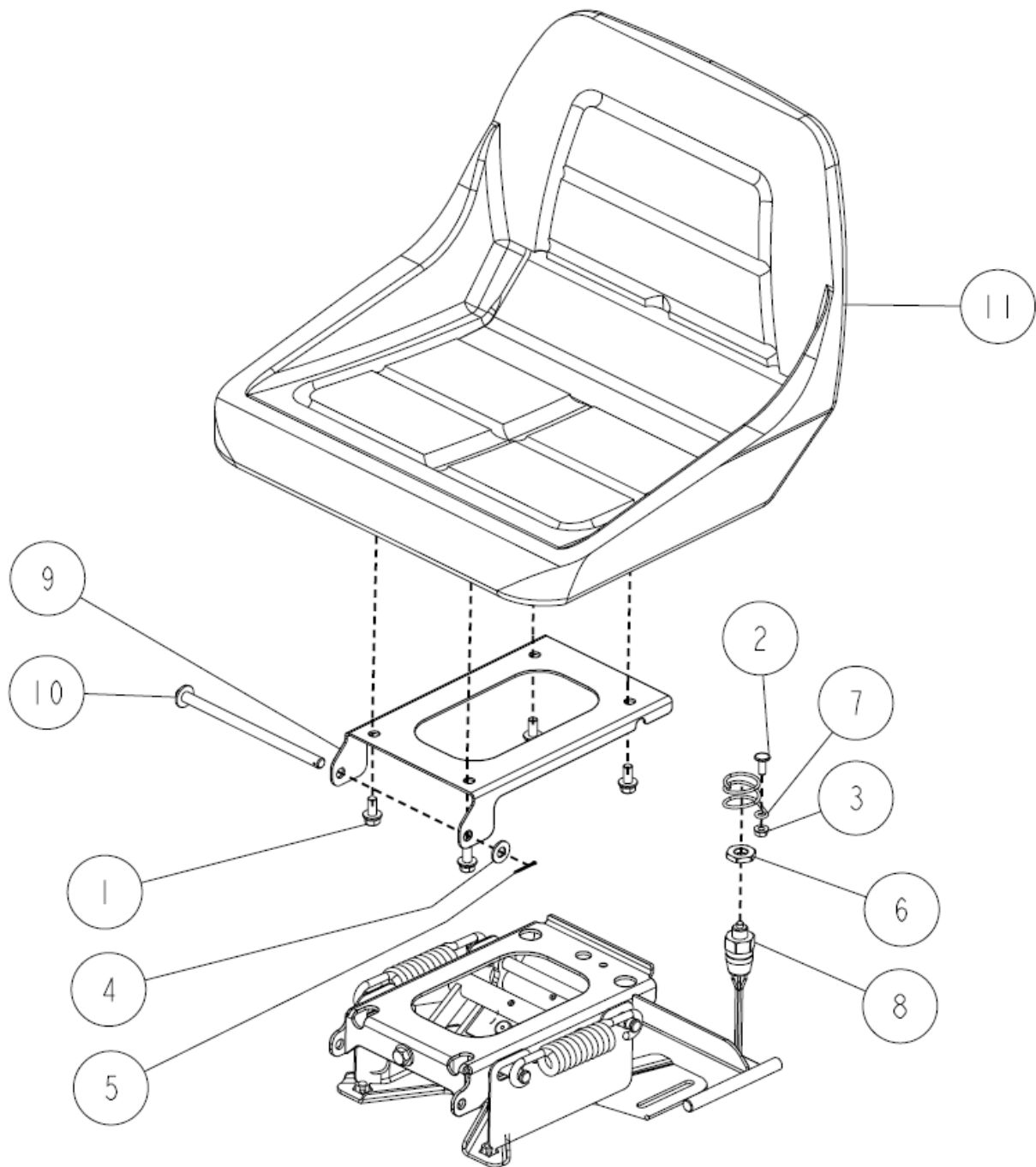
CUTTING 7/7



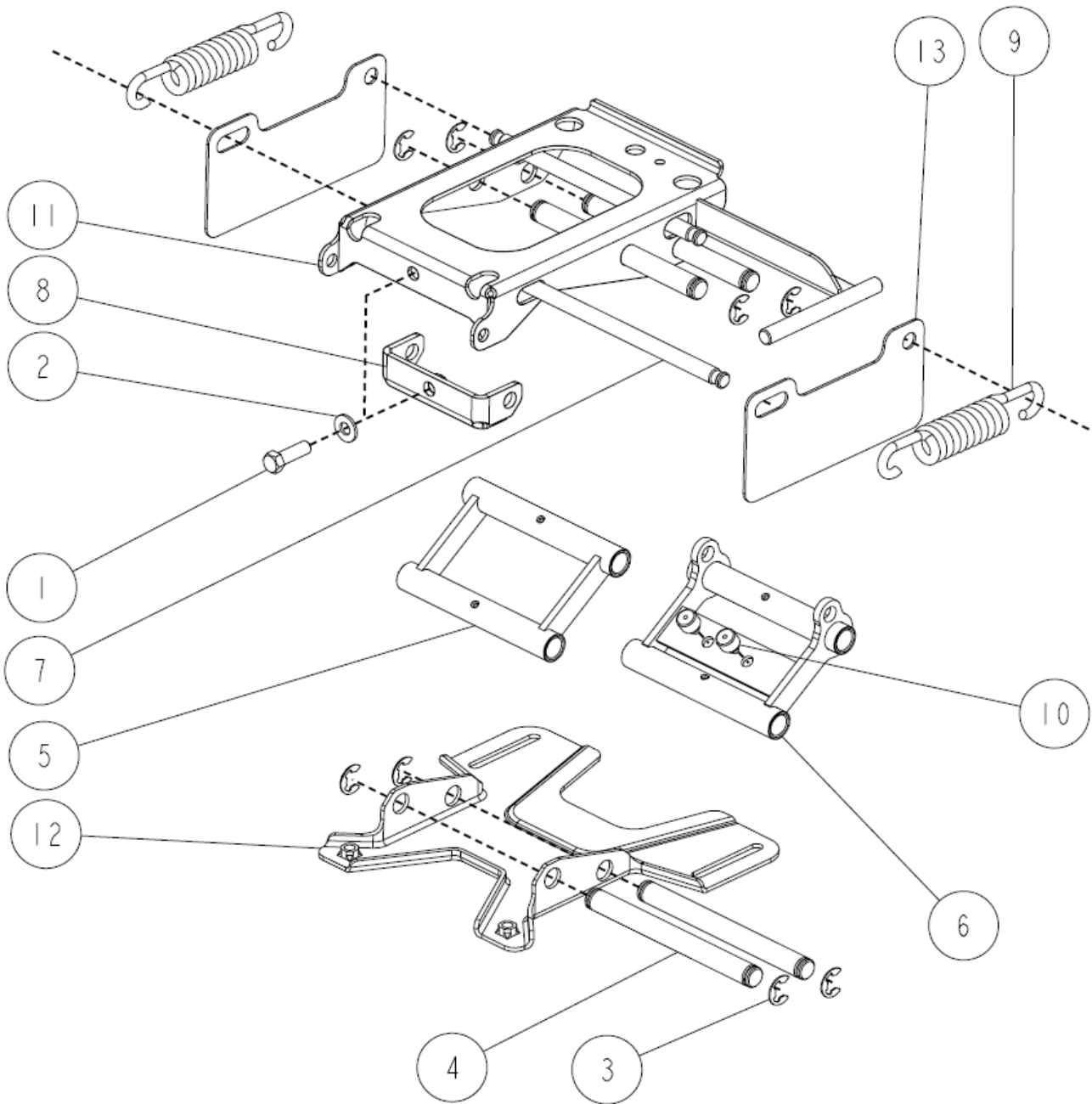
7	89-5121-406212	Oil Seal UE 40.62.12	1	
6	89-5121-356210	Oil Seal UE 35.62.10	1	
5	89-3115-069074	Roulement 6907 2RS	2	
4	89-2512-000620	Snap Ring (R62)	2	
3	0262-50100	Rondelle metal cache poussieres	1	
2	0244-50300	Safety Cover CMP	1	
1	80-1493-641-00	Vertical Shaft	1	
Ref.	Parts Number	Parts Name	Quantity	Remarks



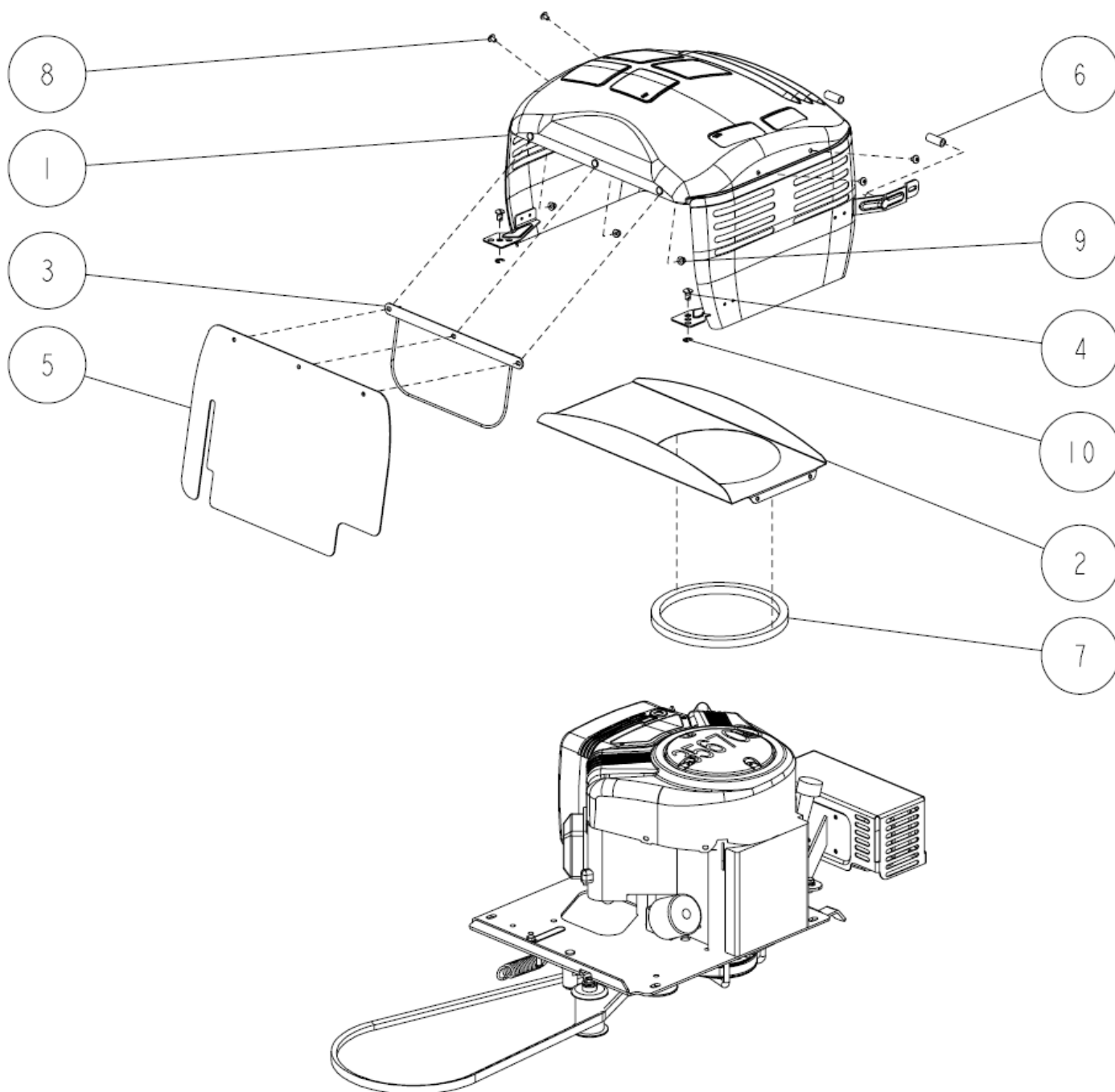
10	0259-22110	Seat Bracket CMP	1	
9	0244-73700	Grommet 24	1	
8	0244-71300	Sine Fastener T9-170	2	
7	89-2521-000083	E Type Ring 8	2	
6	89-1750-080002	Spring Washer 8	4	
5	89-1713-080002	Flat Washer 8 (large)	2	
4	89-1232-080202	Mini Hexagonal Bolt (SW) M8*20	2	
3	83-1560-101-00	Knob Bolt M8*15	2	
2	83-1020-314-00	Washer 8*40*2.3	2	
1	80-1792-988-00	Harness Clip 8	1	
Ref.	Parts Number	Parts Name	Quantity	Remarks



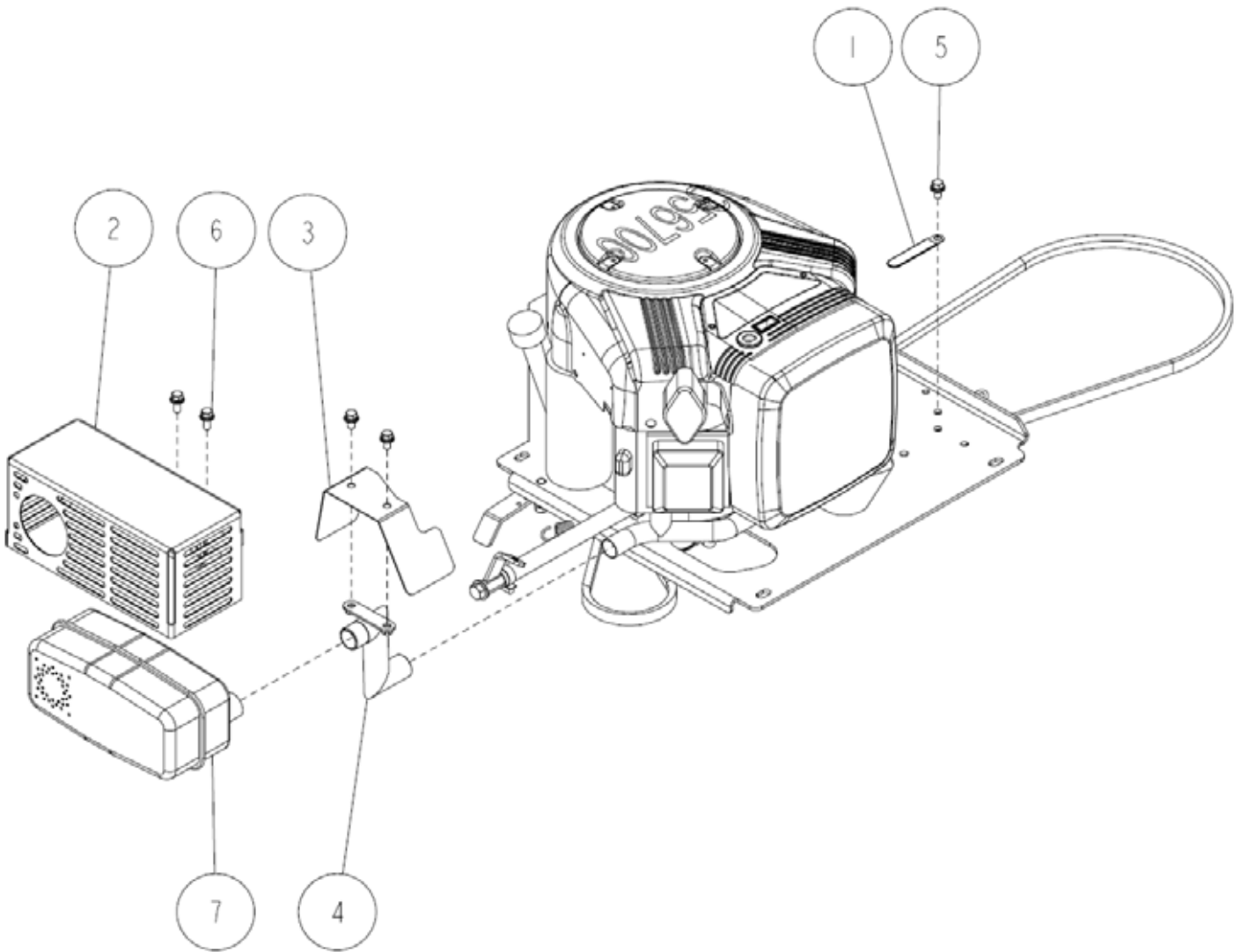
11	0284-78100	Seat K4 (Black)	1	
10	0244-22300	Seat Receive Pin CMP	1	
9	0244-21810	Seat Receiver (97EU)	1	
8	0207-74400	Contacteur de securite K17850	1	
7	0207-72900	Seat Switch Spring	1	
6	0207-72800	Ecrou de contacteur de securite	1	
5	89-2120-200202	Split Pin 2*20	1	
4	89-1714-100002	Flat Washer 10	1	
3	89-1531-060042	Flange Nut M6	1	
2	89-1390-060162	Vis tete plate M6 x 16	1	
1	89-1233-080202	Mini Hexagonal Bolt (PWSW) M8*20	4	
Ref.	Parts Number	Parts Name	Quantity	Remarks



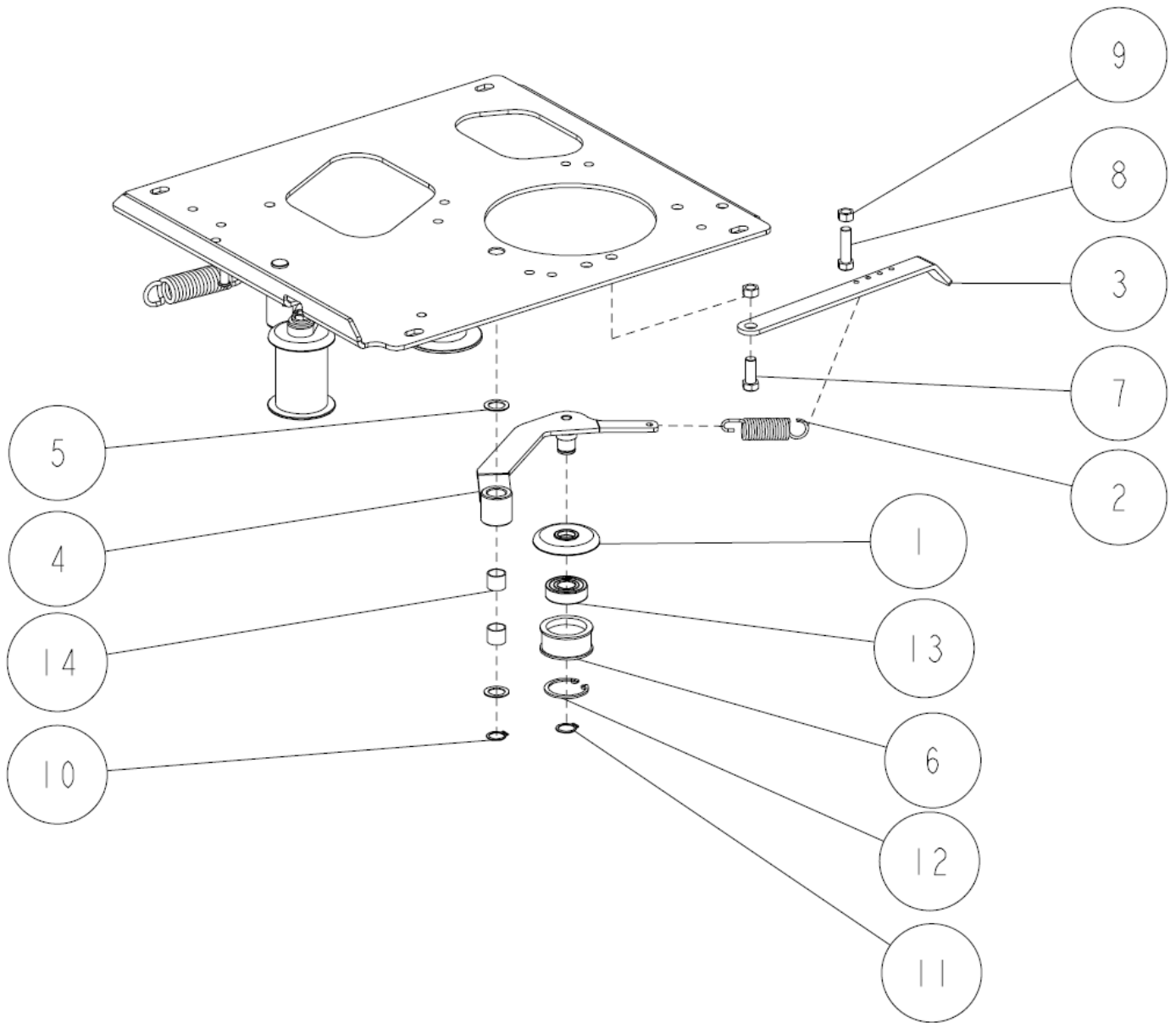
13	0292-80300	Seat Link Shield	2	
12	0262-20400	Link Under Bracket	1	
11	0259-21210	Link Upper CMP (98E)	1	
10	0244-71400	Seat Cushion Rubber	2	
9	0244-71200	Spring for Seat Link	2	
8	0244-21700	Spring Shaft Hook CMP	1	
7	0244-21600	Spring Shaft	2	
6	0244-21500	Seat Link (B) CMP	1	
5	0244-21400	Seat Link (A) CMP	1	
4	0244-21100	Seat Link Pin	4	
3	89-2521-000120	E Type Ring 12	8	
2	89-1714-100002	Flat Washer 10	1	
1	89-1211-100302	Mini Hexagonal Bolt M10*30	1	
Ref.	Parts Number	Parts Name	Quantity	Remarks



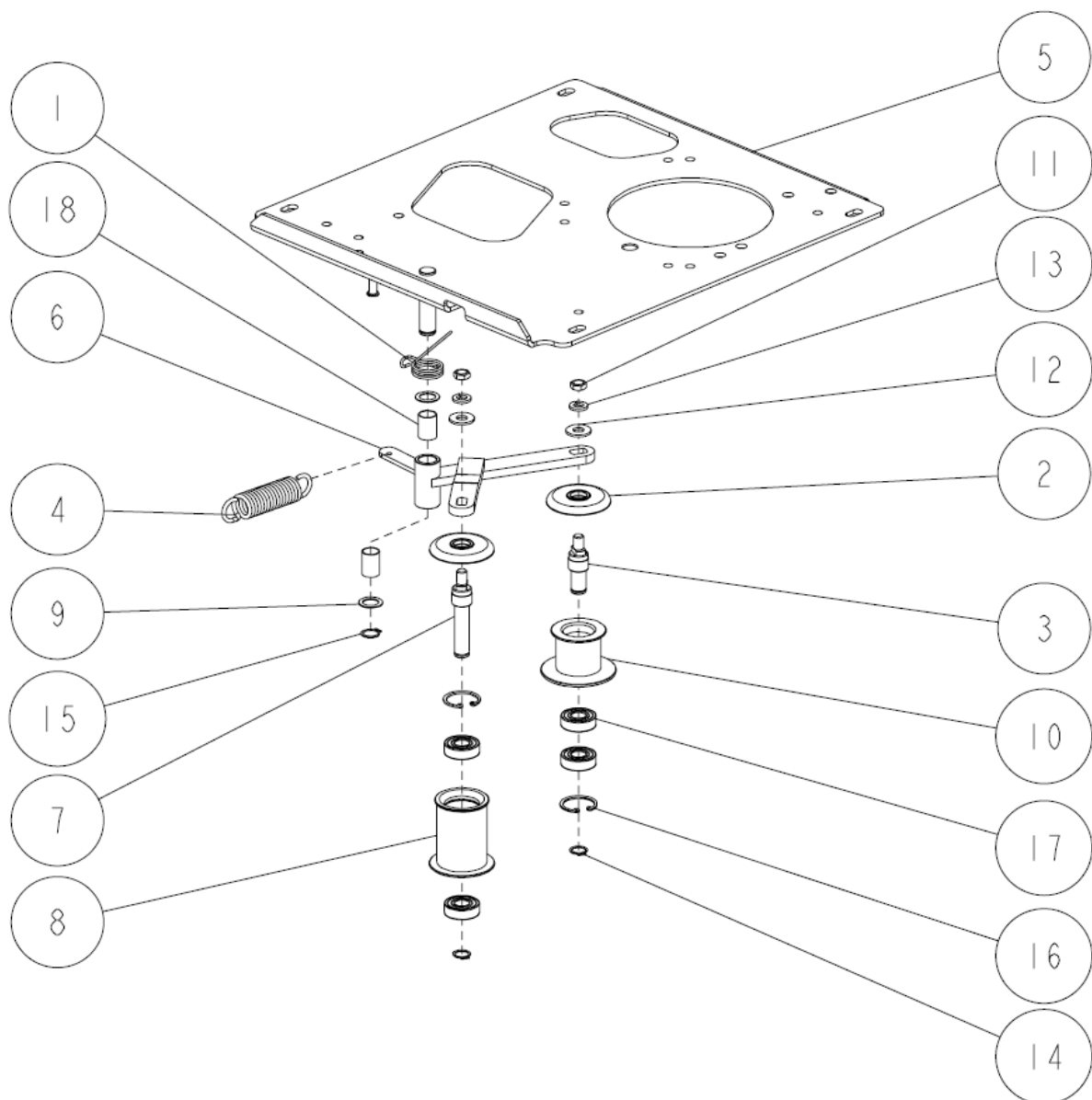
10	89-2521-000083	E Type Ring 8	2	
9	89-1581-060042	Flange Cap Nut M6	3	
8	89-1159-060108	Truss Mini Screw M6*10	4	
7	0244-77700	Air intake Packing	1	
6	0244-76500	Rubber Tube 10-14	2	
5	0244-72800	Wind Shield	1	
4	0244-71300	Sine Fastener T9-170	2	
3	0244-62510	Wind Shield Holder CMP	1	
2	0244-60500	Duct CMP	1	
1	0244-60310	Engine Bonnet CMP	1	
Ref.	Parts Number	Parts Name	Quantity	Remarks



7	Engine Parts	Muffler	1	
6	89-1233-080202	Mini Hexagonal Bolt (PWSW) M8*20	2	
5	89-1233-080162	Mini Hexagonal Bolt (PWSW) M8*16	3	
4	0281-40200	Exhaust Adapter CMP	1	
3	0281-40100	Exhaust Cover	1	
2	0255-40500	Muffler Cover CMP	1	
1	80-1792-988-00	Harness Clip 8	1	
Ref.	Parts Number	Parts Name	Quantity	Remarks



14	89-3510-016150	DU Bush 16.15	2	
13	89-3115-062034	Roulement 6203 2RS	1	<i>a re graisser évite la chauffe</i>
12	89-2512-000400	Snap Ring (R40)	1	
11	89-2511-000170	Snap Ring (S17)	1	
10	89-2511-000160	Snap Ring (S16)	1	
9	89-1611-100042	Mini Hexagonal Nut M10	2	
8	89-1213-100357	Mini Hexagonal Bolt (8T) M10*35	1	
7	89-1211-100252	Mini Hexagonal Bolt M10*25	1	
6	83-1032-765-00	Poulie de tension courroie moteur nue	1	<i>83-1032-760-00 complet</i>
5	83-1020-363-00	Thrust Washer 16*24*1.0	2	
4	0244-42300	Drive Tension Arm CMP	1	
3	0207-41100	Drive Tension Spring Arm	1	
2	80-1485-551-00	Driving Tension Spring	1	
1	80-1482-549-00	Rubber Cover 58	1	
Ref.	Parts Number	Parts Name	Quantity	Remarks



18	89-3510-016250	DU Bush 16.25	2	
17	89-3115-062024	Roulement 6202 2RS	4	
16	89-2512-000350	Snap Ring (R35)	2	
15	89-2511-000160	Snap Ring (S16)	1	
14	89-2511-000150	Snap Ring (S15)	2	
13	89-1750-100002	Spring Washer 10	2	
12	89-1713-100002	Flat Washer 10 (large)	2	
11	89-1613-100042	Mini Hexagonal Nut (3 sorts) M10	2	
10	83-1483-782-10	Knife Tension Pulley	1	
9	83-1020-363-00	Thrust Washer 16*24*1.0	2	
8	0259-40100	Knife Tension Pulley (B)	1	
7	0244-42800	Tension Idler Shaft	1	
6	0244-42200	Knife Tension Arm CMP	1	
5	0244-20300	Engine Base CMP	1	
4	0207-78400	Spring For Knife Tension Return	1	
3	0207-43100	Knife Tension Pulley Shaft	1	
2	80-1482-549-00	Rubber Cover 58	2	
1	80-1481-568-00	Knife Tension Return Spring $\phi 26.7$	1	
Ref.	Parts Number	Parts Name	Quantity	Remarks