

Parts catalogue

Transporter

(EXPORT MODEL)

LS461 (SERIAL No. UC07J00161 ~)

LS460 (SERIAL No. ~ UC07B00160)

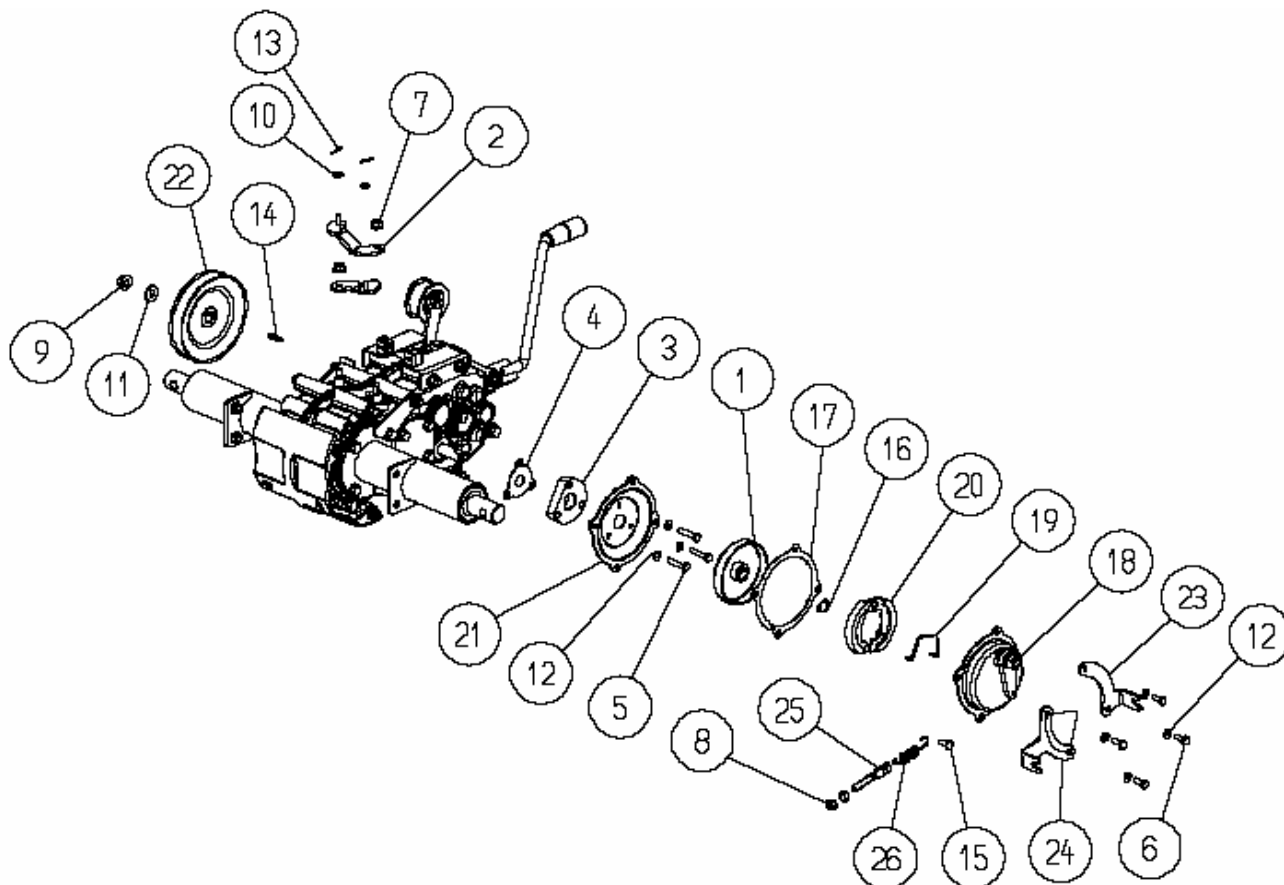
MODEL	CODE NO.
LS461	0919-
LS460	

CONTENTS

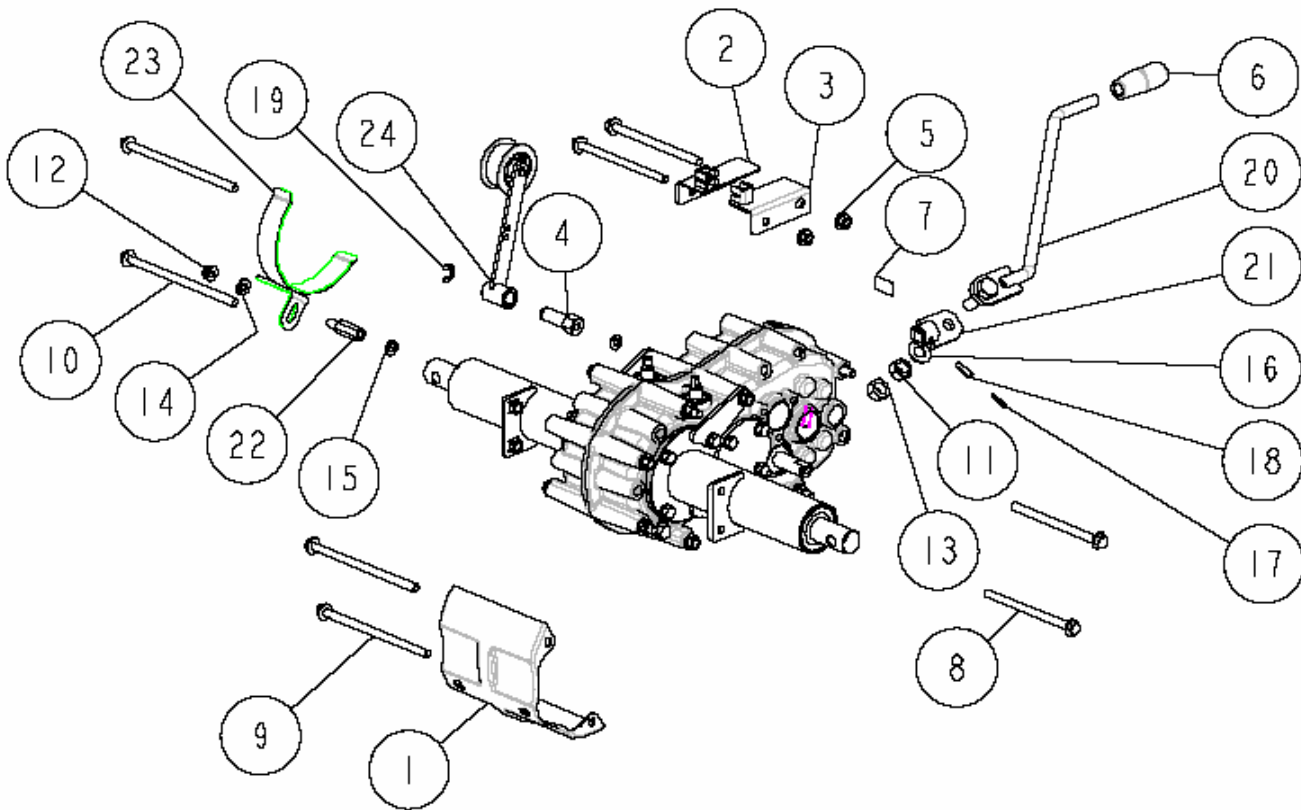
TRANSMISSION-----	1
HANDLE-----	6
ENGINE-----	7
FRAME-----	8
CRAWLER-----	9
PLATFORM-----	11

OREC CO.,LTD

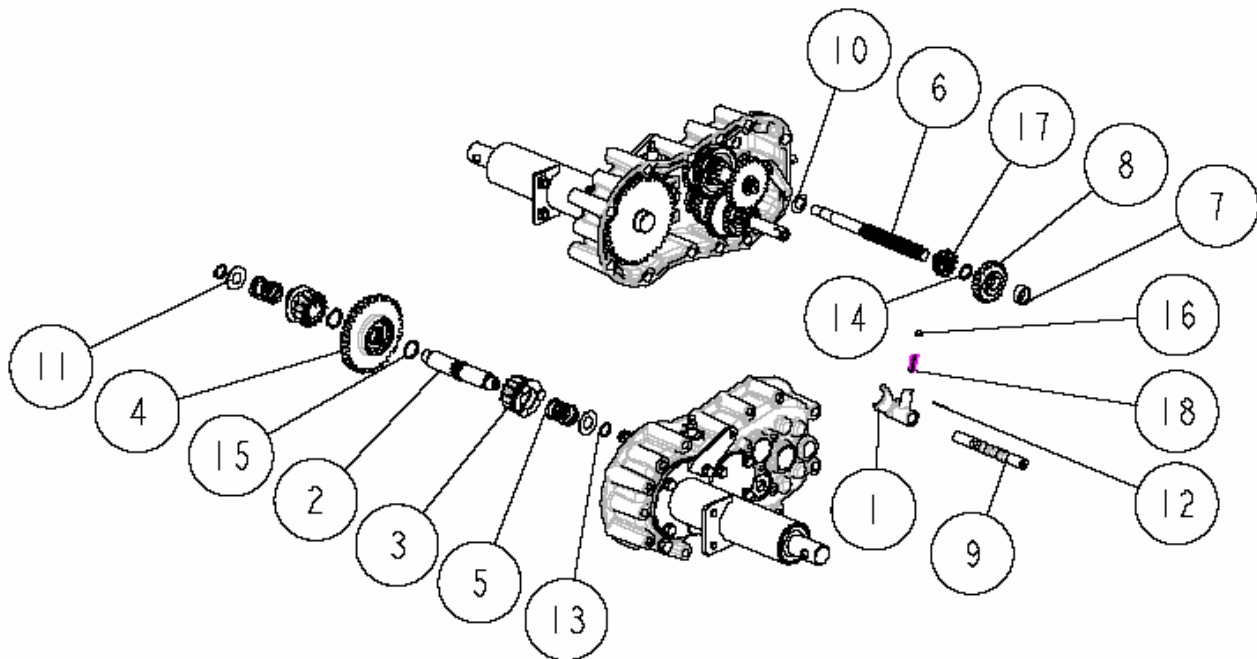
Update : December 2009



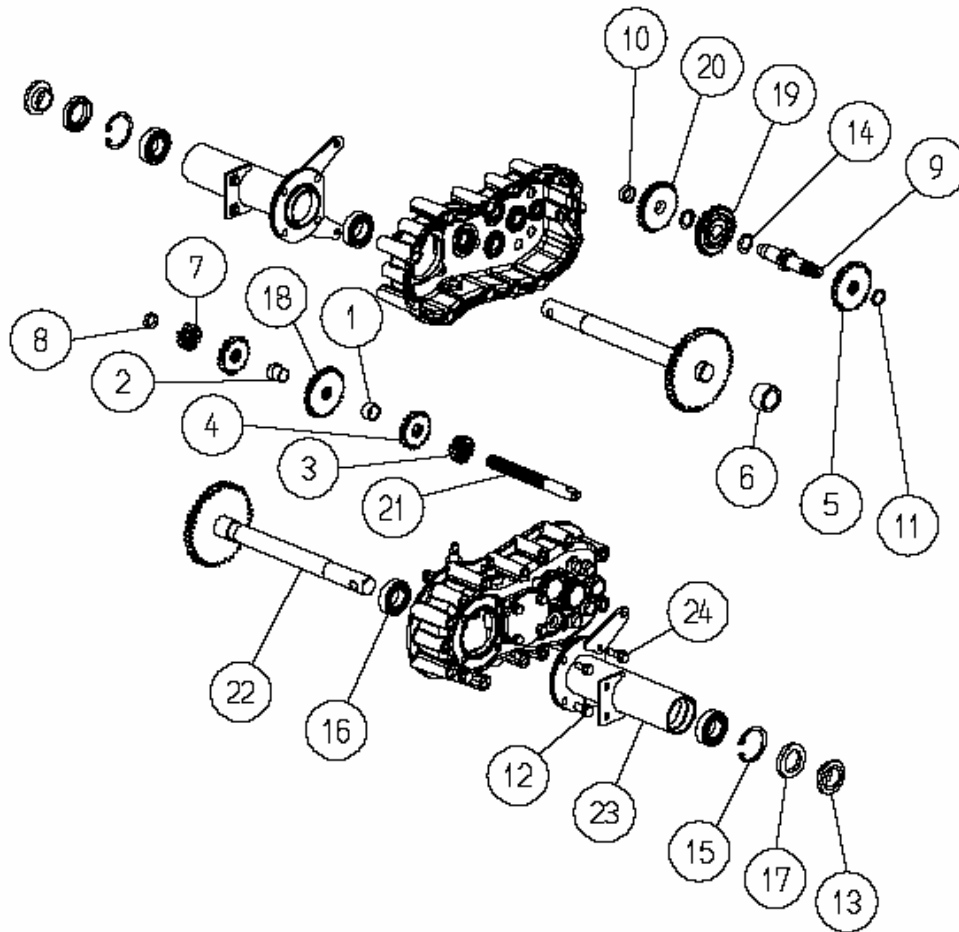
Ref.	Parts Number	Parts Name	Quantity	Remarks
		Transmission ASSY		Excluding items in Remark1
		Brake ASSY(LS460)		1,17,18,19,20 Including
26	0919-70300	Brake Pulling Spring	1	Remarks 1
25	0919-01800	Brake Adjuster	1	Remarks 1
24	0919-01300	Receive for Brake Spring	1	Remarks 1
23	0919-01110	Receive for Brake Wire	1	
22	0913-50200	Transmission Pulley	1	Remarks 1
21	0913-02600	Brake Cover CMP	1	
20	0244-88100	Brake Shoe	1	
19	80-1030-285-00	Shoe Return Spring	1	
18	0207-73100	Brake Cap Assy	1	
17	0919-70800	Brake Cover PK (PA-7)	1	
16	89-2511-000150	Snap Ring (S15)	1	
15	89-2181-060162	Flat Head Pin 6*16	1	Remarks 1
14	89-2150-050180	Key 5*18 (round)	1	Remarks 1
13	89-2120-200152	Split Pin 2*15	2	Remarks 1
12	89-1750-060002	Spring Washer 6	7	
11	89-1711-100002	Flat Washer 10	1	Remarks 1
10	89-1711-060002	Flat Washer 6	2	Remarks 1
9	89-1631-100042	Flange Mini Hexagonal Nut M10	1	Remarks 1
8	89-1543-080002	Mini Hexagonal Nut (SW) M8	2	Remarks 1
7	89-1511-080042	Hexagonal Nut M8	2	
6	89-1113-060162	Hexagonal Bolt (8T) M6*16	4	
5	89-1111-060252	Hexagonal Bolt M6*25	3	
4	85-1445-317-00	Brake Packing (Small)	1	
3	80-1920-313-00	Brake Cover Spacer	1	
2	80-1920-153-00	Side Clutch Arm	2	
1	80-1030-282-00	Brake Drum (PA-7)	1	
Ref.	Parts Number	Parts Name	Quantity	Remarks



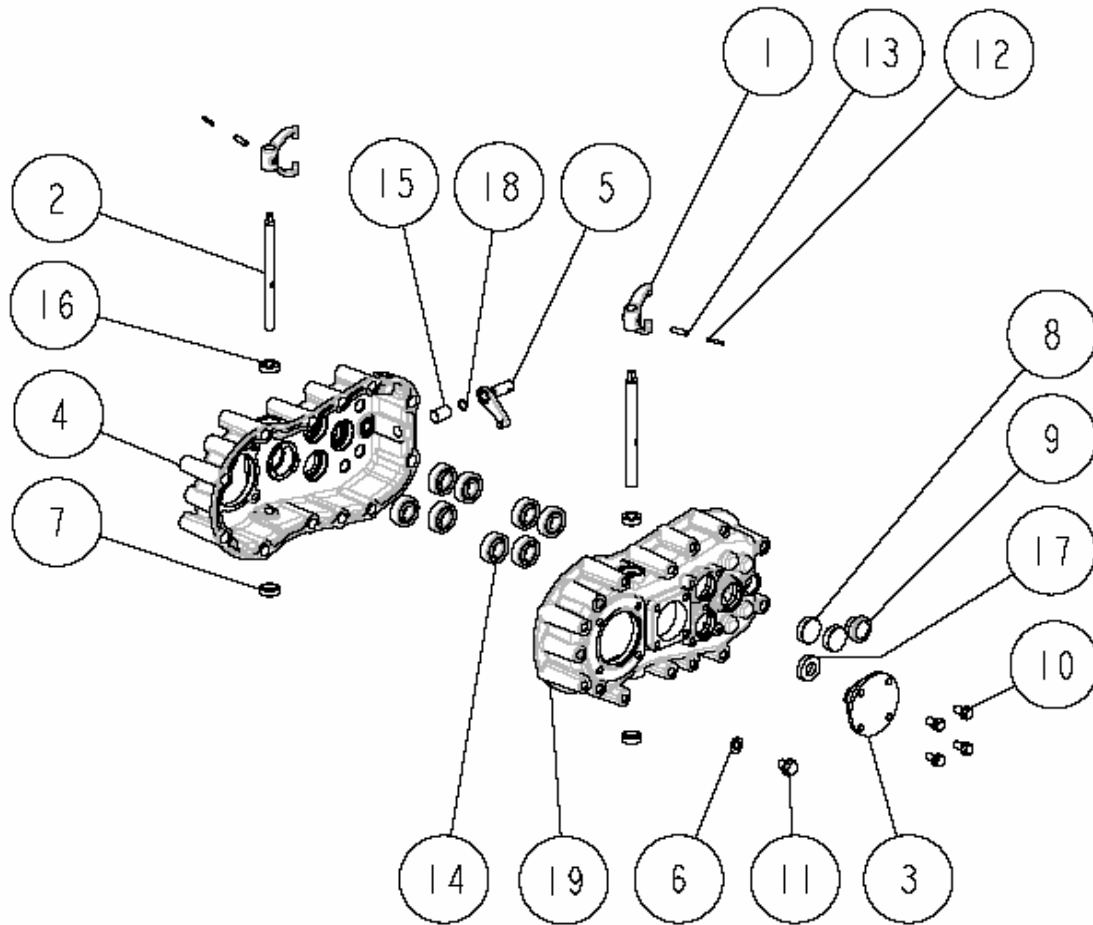
24	0919-50200	Drive Tension Arm	1	Remarks 1
23	0919-40400	Belt Cover (Under)	1	Remarks 1
22	0919-01200	Belt Cover Setting Bolt A	1	
21	0913-02200	Change Arm CMP	1	
20	0913-02100	Shift Rod CMP	1	
19	89-2521-000100	E Type Ring 10	1	Remarks 1
18	89-2111-050020	Spring Pin 5*20	1	
17	89-2111-030020	Spring Pin 3*20	1	
16	89-1852-120000	Belleville Spring H12	1	
15	89-1750-080002	Spring Washer 8	2	
14	89-1711-080002	Flat Washer 8	1	Remarks 1
13	89-1551-120002	Hexagonal U Nut M12	1	
12	89-1543-080002	Mini Hexagonal Nut (SW) M8	2	Remarks 1
11	89-1511-120042	Hexagonal Nut M12	1	
10	89-1251-081503	Flange Mini Hexagonal Bolt M8*150	2	
9	89-1251-081453	Flange Mini Hexagonal Bolt M8*145	4	
8	89-1251-081203	Flange Mini Hexagonal Bolt M8*120	6	
7	83-1712-923-00	Label, Oil Quantity 1.6 L	1	
6	83-1711-426-00	Lever Grip 12	1	Remarks 1
5	83-1484-255-00	Lock Nut ZUF M8	9	
4	80-1920-535-00	Driving Tension Arm Setting Shaft	1	
3	80-1920-198-00	Side Clutch Wire Receiver (R)	1	
2	80-1920-197-00	Side Clutch Wire Receiver (L)	1	
1	80-1920-117-00	Transmission Guard	1	
Ref.	Parts Number	Parts Name	Quantity	Remarks



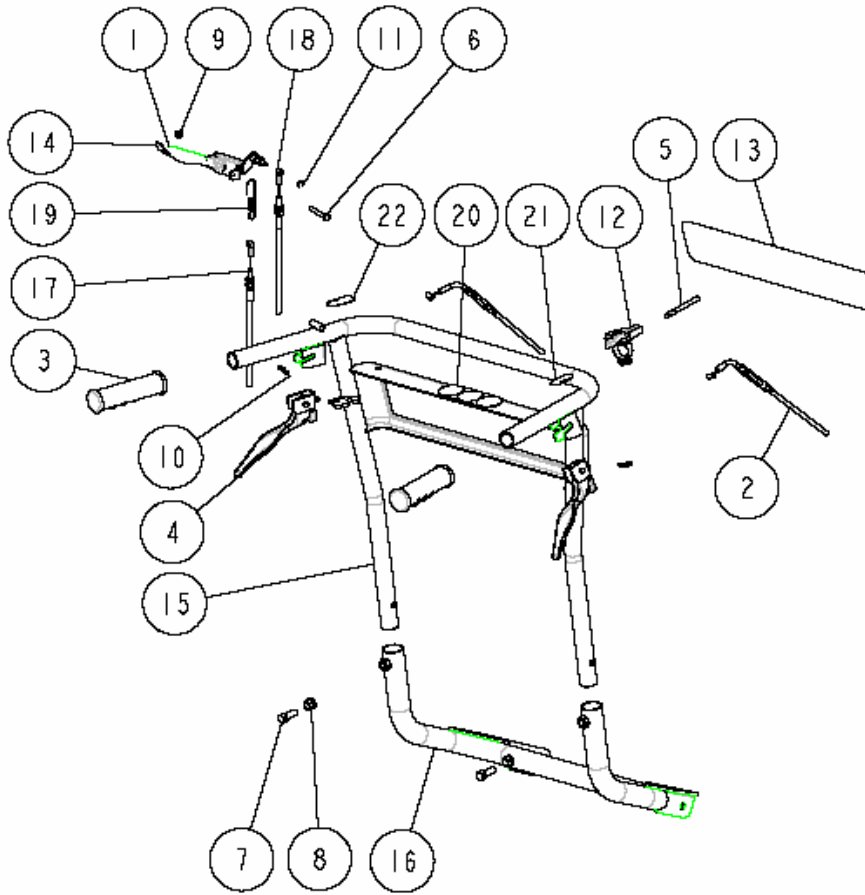
18	0913-01200	1st Shaft Shift Gear 14T	1	
17	89-3410-075000	Steel Ball 7.5	1	
16	89-2511-000200	Snap Ring (S20)	2	
15	89-2511-000160	Snap Ring (S16)	1	
14	89-2511-000150	Snap Ring (S15)	2	
13	89-2120-200202	Split Pin 2*20	1	
12	83-1633-362-10	Thrust Washer 15*30*1.2	2	
11	83-1020-361-00	Thrust Washer 15*24*1.0	1	
10	80-1923-107-00	Shift Fork Shaft	1	
9	80-1920-121-00	Top Gear 23T	1	
8	80-1920-119-00	Collar D	1	
7	80-1920-118-10	Main Shaft	1	
6	80-1575-162-00	Side Clutch Spring	2	
5	80-1575-142-00	Side Clutch Gear 38T	1	
4	80-1575-141-00	Side Clutch Gear 14T	2	
3	80-1575-140-00	Side Clutch Shaft	1	
2	80-1575-108-10	1st Shaft Shift Folk	1	
1	0913-01800	Spring 1.4	1	
Ref.	Parts Number	Parts Name	Quantity	Remarks



24	0919-72400	Seal Bolt (SW) M8*25	4	
23	0919-01400	Axle BB Case	2	
22	0914-01200	Axle	2	
21	0913-01600	2 Shaft	1	
20	0913-01500	3 Shaft Gear 32T	1	
19	0913-01400	Back Gear CMP	1	
18	0913-01300	2 Shaft Gear 32T	1	
17	89-5121-304707	Oil Seal UE 30.47.7	2	
16	89-3111-060054	Bearing 6005	4	
15	89-2512-000470	Snap Ring (R47)	2	
14	83-1830-368-00	Thrust Washer 18*26*1.0	2	
13	83-1415-663-00	Oil Seal AP 30.47.7	2	
12	83-1415-127-00	Seal Bolt (SW) M8*20	8	
11	83-1017-365-10	Thrust Washer 17*23*1.0	1	
10	80-1923-141-00	Collar D	1	
9	80-1923-138-00	3 Shaft	1	
8	80-1923-134-00	Collar C	1	
7	80-1923-129-00	2 Shaft Gear 14T	1	
6	80-1920-147-00	Axle Collar	1	
5	80-1920-140-00	3 Shaft Gear 31T	1	
4	80-1920-133-00	2 Shaft Gear 23T	2	
3	80-1920-132-00	2 Shaft Gear 15T	1	
2	80-1920-131-00	Collar B	1	
1	80-1920-130-00	Collar A	1	
Ref.	Parts Number	Parts Name	Quantity	Remarks

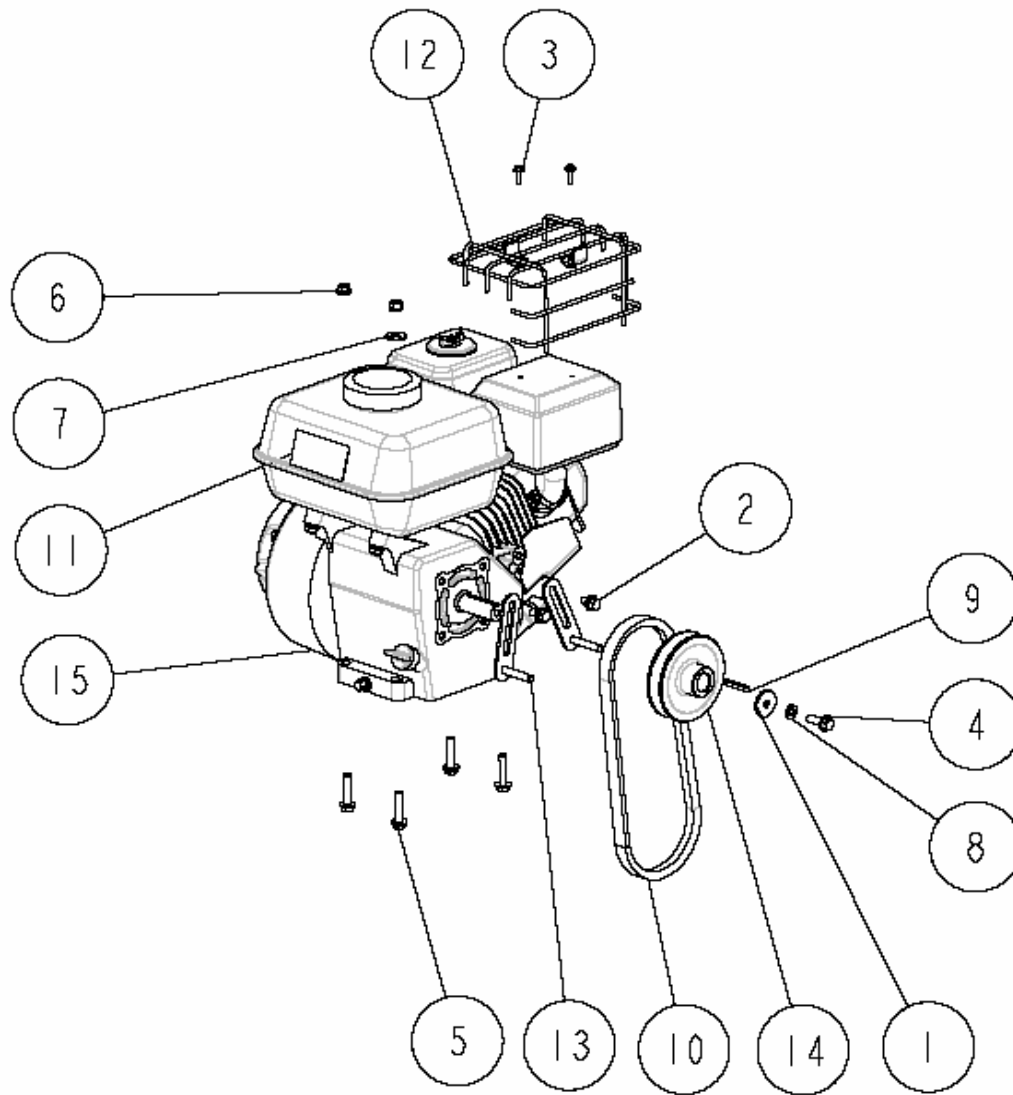


19	0915-00200	Transmission Case (L)	1	
18	89-5221-009000	O Ring P9	1	
17	89-5121-153007	Oil Seal UE 15.30.7	2	
16	89-5121-122207	Oil Seal UE 12.22.7	2	
15	89-3510-012200	DU Bush 12.20	1	
14	89-3111-062024	Bearing 6202	8	
13	89-2111-050020	Spring Pin 5*20	2	
12	89-2111-030020	Spring Pin 3*20	2	
11	89-1252-100122	Flange Mini Hexagonal Bolt M10*12 (slende	1	
10	89-1232-080162	Mini Hexagonal Bolt (SW) M8*16	8	
9	83-1517-685-00	Oil Cap 20	2	
8	83-1415-672-00	Blind Cover 30	4	
7	83-1415-671-00	Blind Cover 22	2	
6	83-1020-349-00	Copper Packing 10.5*18*1.6	1	
5	80-1920-106-00	Swing Arm	1	
4	80-1920-103-00	Transmission Case (R)	1	
3	80-1575-152-10	Side Clutch Shaft BB Case	2	
2	80-1425-112-00	Driving Clutch Folk Shaft	2	
1	80-1415-114-00	Side Clutch Fork	2	
Ref.	Parts Number	Parts Name	Quantity	Remarks

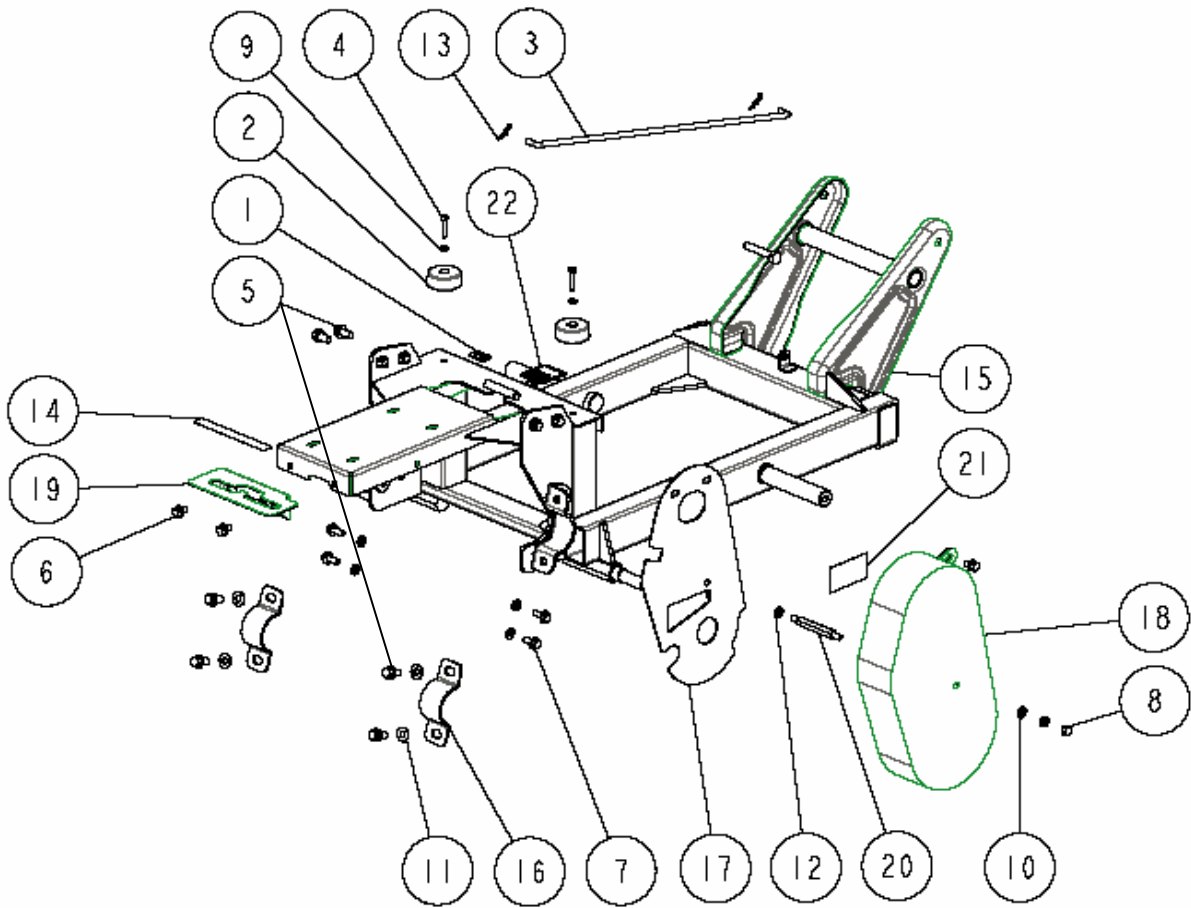


22	0919-73400	Label for Side Clutch (L)	1	
21	0919-73200	Label for Side Clutch (R)	1	
20	0919-71800	Label, Caution (LS)	1	
19	0919-70400	Spring for Brake Lever	1	
18	0919-70200	Driving Clutch Wire	1	
17	0919-70100	Brake Wire	1	
16	0919-10100	Handle Setting CMP	1	
15	0915-80100	Handle CMP	1	
14	0914-80100	Driving Clutch Lever	1	
13	0913-73300	Plate	1	
5,12	0913-71500	Throttle Wire Assy	1	
12	0226-70400	Throttle Lever 27	1	
11	89-2521-000050	E Type Ring 5	1	
10	89-2131-080002	Snap Pin 8	2	
9	89-1553-060002	Bag Hexagonal U Nut M6	1	
8	89-1543-100002	Mini Hexagonal Nut (SW) M10	2	
7	89-1213-100252	Mini Hexagonal Bolt (8T) M10*25	2	
6	89-1113-060402	Hexagonal Bolt (8T) M6*40	1	
5	0030-70600	Throttle Wire	1	
4	83-1761-457-00	Side Clutch Lever	2	
3	83-1560-414-00	Handle Grip 27	2	
2	83-1425-937-00	Side Clutch Wire	2	
1	80-1920-A09-00	Label, Driving	1	

Ref.	Parts Number	Parts Name	Quantity	Remarks
------	--------------	------------	----------	---------

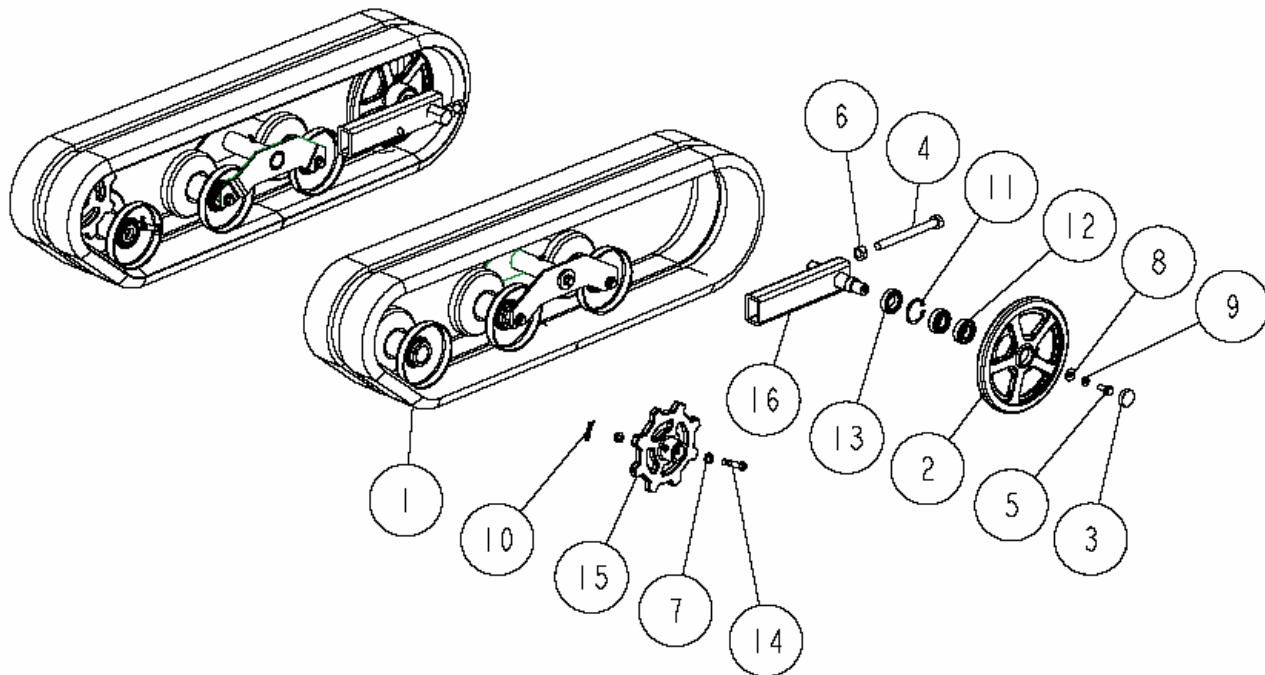


15	9006-0071	Engine GX160 SHRY	1	
14	0919-50100	Engine Pulley	1	
13	0913-50600	Engine Pulley Belt Holder	2	
12	0902-60100	Muffler Guard CMP	1	
11	0214-72100	Label, Caution for Engine etc	1	
10	89-6123-003000	V Belt LB-30	1	
9	89-2150-050350	Key 5*35 (round)	1	
8	89-1750-080002	Spring Washer 8	1	
7	89-1713-080002	Flat Washer 8 (large)	2	
6	89-1543-080002	Mini Hexagonal Nut (SW) M8	4	
5	89-1253-080352	Flange Mini Hexagonal Bolt (8T) M8*	4	
4	89-1253-080252	Flange Mini Hexagonal Bolt (8T) M8*	1	
3	89-1251-050163	Flange Hexagonal Bolt M5*16	2	
2	89-1233-080162	Mini Hexagonal Bolt (PWSW) M8*16	2	
1	83-1020-312-00	Washer 8*30*3.2	1	
Ref.	Parts Number	Parts Name	Quantity	Remarks

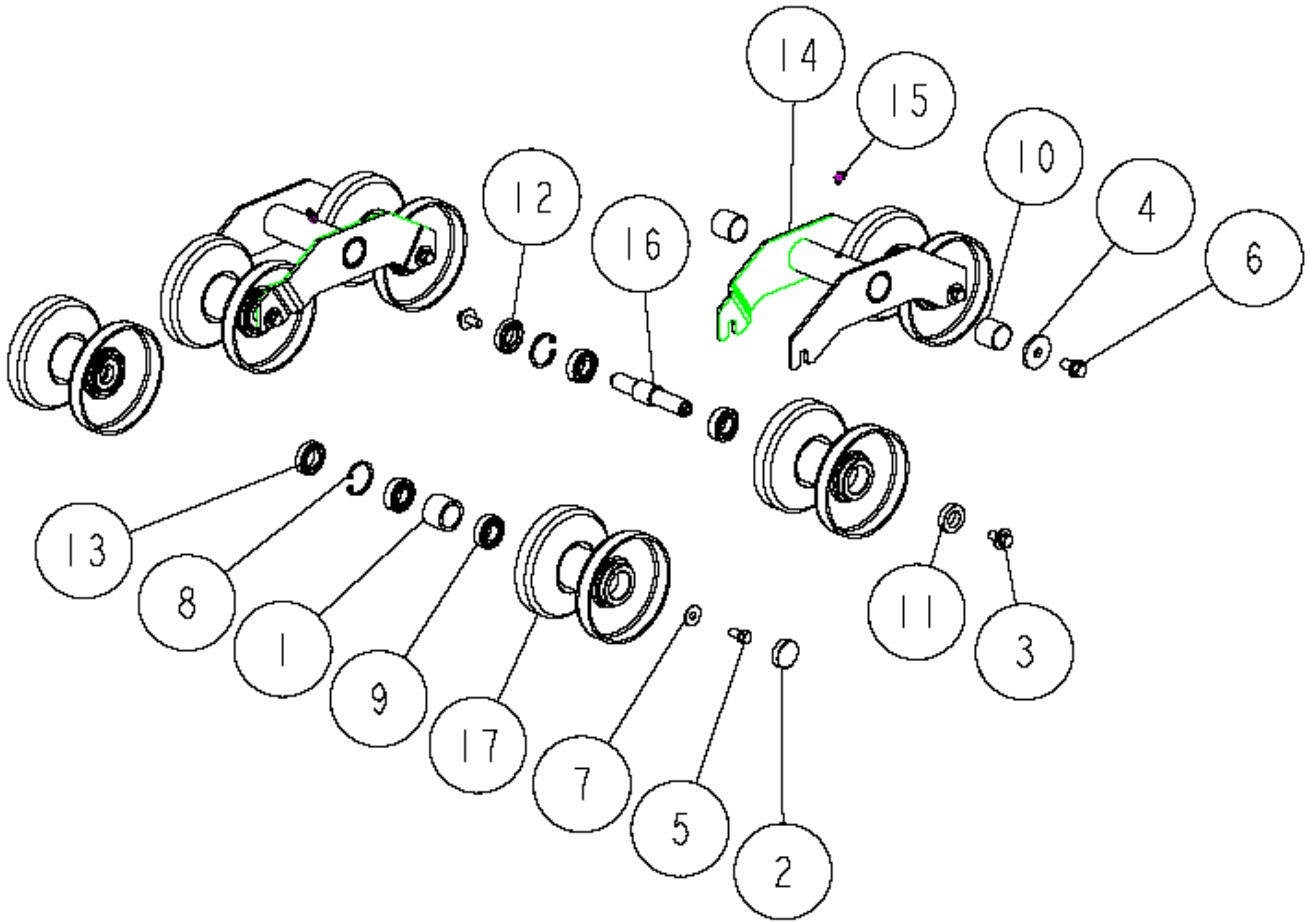


22	0919-73100	Label, Noise 101db	1	
21	0919-71500	Label, Belt Size	1	
20	0919-40510	Belt Cover Setting Bolt B	1	
19	0919-40310	Change Guide	1	
18	0919-40210	Belt Cover	1	
17	0919-40110	Belt Cover (IN)	1	
16	0919-20200	Axle BB Case Holder	2	
15	0919-20100	Frame	1	
14	0913-72300	Label, Change	1	
13	89-2131-080002	Snap Pin 8	2	
12	89-1750-080002	Spring Washer 8	6	
11	89-1714-100002	Flat Washer 10	4	
10	89-1711-080002	Flat Washer 8	1	
9	89-1711-060002	Flat Washer 6	2	
8	89-1571-080042	Cap Nut M8	1	
7	89-1253-080202	Flange Mini Hexagonal Bolt (8T) M8*	4	
6	89-1233-080162	Mini Hexagonal Bolt (PWSW) M8*16	3	
5	89-1232-100202	Mini Hexagonal Bolt (SW) M10*20	8	
4	89-1111-060302	Hexagonal Bolt M6*30	2	
3	80-1920-711-00	Platform Support Bar	1	
2	80-1920-306-00	Stopper Rubber B-4	2	
1	80-1010-933-00	Label, CE	1	

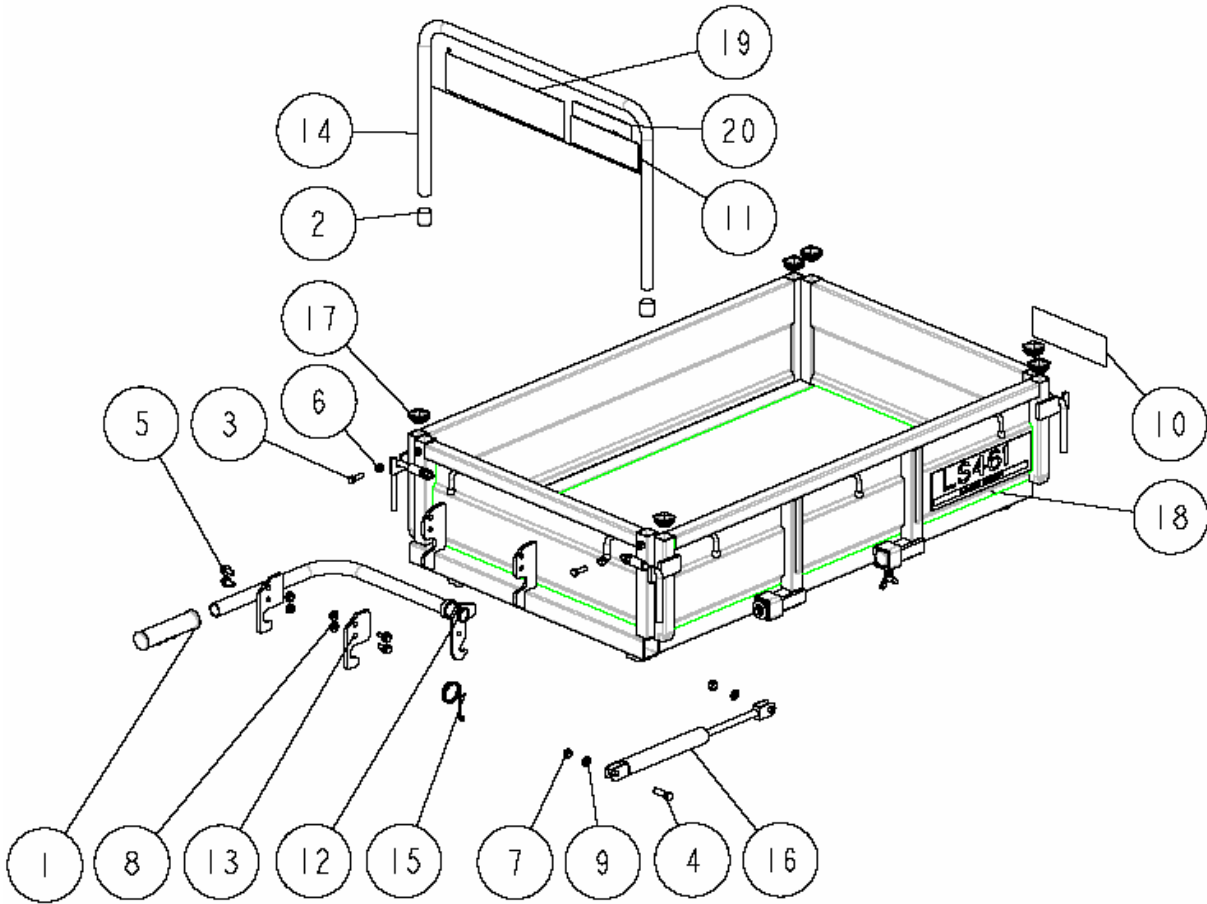
Ref.	Parts Number	Parts Name	Quantity	Remarks
------	--------------	------------	----------	---------



16	0914-30400	Induction Ring Attachment	2	
15	0913-31100	Driving Sprocket	2	
14	0282-31300	Axle Pin 10*50	2	
13	89-5121-254210	Oil Seal UE 25.42.10	2	
12	89-3115-060044	Bearing 6004 2RS	4	
11	89-2512-000420	Snap Ring (R42)	2	
10	89-2132-100002	Snap Pin 10 (with stopper)	2	
9	89-1750-080002	Spring Washer 8	2	
8	89-1713-080002	Flat Washer 8 (large)	2	
7	89-1711-100002	Flat Washer 10	4	
6	89-1511-140042	Hexagonal Nut M14	2	
5	89-1253-080202	Flange Mini Hexagonal Bolt (8T) M8*	2	
4	89-1111-141407	Hexagonal Bolt M14*140	2	
3	83-1415-672-00	Blind Cover 30	2	
2	80-1920-412-00	Idle Roller	2	
1	80-1920-401-00	Rubber Crawler 160W*60P*35L	2	
Ref.	Parts Number	Parts Name	Quantity	Remarks

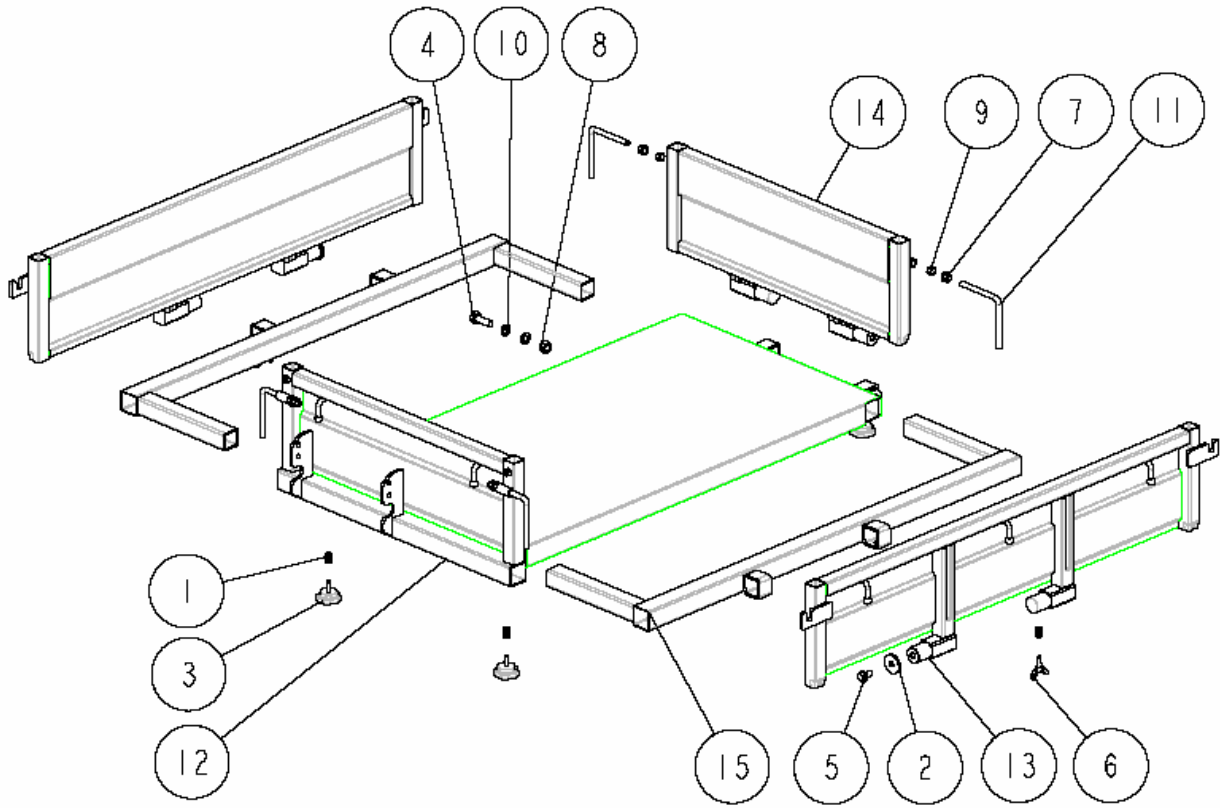


17	0914-30500	Turn Wheel	6	
16	0914-30200	Shaft for Turn Wheel Setting	4	
15	0913-70700	Grease Nipple B-Type M6	2	
14	0913-30800	Turn Wheel Setting	2	
13	89-5121-203508	Oil Seal UE 20.35.8	2	
12	89-5121-173507	Oil Seal UE 17.35.7	4	
11	89-5121-173008	Oil Seal UE 17.30.8	4	
10	89-3510-025250	DU Bush 25.25	4	
9	89-3115-060034	Bearing 6003 2RS	12	
8	89-2512-000350	Snap Ring (R35)	6	
7	89-1713-080002	Flat Washer 8 (large)	2	
6	89-1232-100202	Mini Hexagonal Bolt (SW) M10*20	2	
5	89-1232-080182	Mini Hexagonal Bolt (SW) M8*18	2	
4	83-1610-321-00	Washer 10*36*4.5	2	
3	83-1490-114-00	Mini Hexagonal Bolt (PWSW) M8*20	8	
2	83-1415-672-00	Blind Cover 30	2	
1	80-1920-142-00	Spacer for Turn Wheel	2	
Ref.	Parts Number	Parts Name	Quantity	Remarks



20	0919-71900	Label, Slope Loading Capacity 200Kg	1	1	
19	0919-71700	Label, Caution (Large)	1	1	
18	0919-71100	Label, Side (LS460)		2	
	0919-71110	Label, Side (LS461)	2		
17	0919-70700	Pipe Cap	6		
16	0919-70600	Gas Spring (KPF100-50)	1	1	
15	0919-70500	Platform Lock Spring	1	1	
14	0919-60500	Rear Frame for Platform		1	
	0919-60510	Rear Frame for Platform	1		
13	0919-60400	Stopper Support		2	
	0919-60410	Stopper Support	2		
12	0919-60300	Platform Stopper		1	
	0919-60310	Platform Stopper	1		
11	0914-77600	Label,Caution	1		
10	0913-73200	Label, Front	1	1	
9	89-1711-100002	Flat Washer 10	2	2	
8	89-1631-080042	Flange Mini Hexagonal Nut M8	4	2	
7	89-1561-100002	Mini Hexagonal U Nut M10	2	2	
6	89-1543-080002	Mini Hexagonal Nut (SW) M8	2		
5	89-1233-080252	Mini Hexagonal Bolt (PWSW) M8*25	4	2	
4	89-1211-100302	Mini Hexagonal Bolt M10*30	1	1	
3	89-1211-080252	Mini Hexagonal Bolt M8*25	2		
2	83-1565-402-00	Cap	2		
1	83-1410-412-00	Handle Grip 25	1	1	

Ref.	Parts Number	Parts Name	Quantity		Remarks
			LS461	LS460	



15	0913-60500	Slide Pipe CMP		2	
	0919-60800	Slide Pipe CMP	2		
14	0913-60200	Front Frame for Platform		1	
	0919-60700	Front Frame for Platform	1		
13	0919-60200	Side Frame for Platform		2	
	0919-60210	Side Frame for Platform	2		
12	0919-60100	Platform		1	
	0919-60110	Platform	1		
11	0913-71100	Platform Stopper	4	4	
10	89-1711-120002	Flat Washer 12	4	4	
9	89-1611-100042	Mini Hexagonal Nut M10	4	4	
8	89-1551-120002	Hexagonal U Nut M12	2	2	
7	89-1543-100002	Mini Hexagonal Nut (SW) M10	4	4	
6	89-1311-080202	Butterfly (Large) Bolt M8*20	3	3	
5	89-1232-100202	Mini Hexagonal Bolt (SW) M10*20	3	3	
4	89-1113-120352	Hexagonal Bolt (8T) M12*35	2	2	
3	83-1920-102-00	Knob Bolt M8*20	4	4	
2	83-1610-321-00	Washer 10*36*4.5	3	3	
1	80-1920-717-00	Knob Spring for Platform	7	7	
Ref.	Parts Number	Parts Name	LS461	LS460	Remarks
			Quantity		