

打切機 (HR-650)

HR650

PARTS LIST

Hammer Knife Rotor HR-650



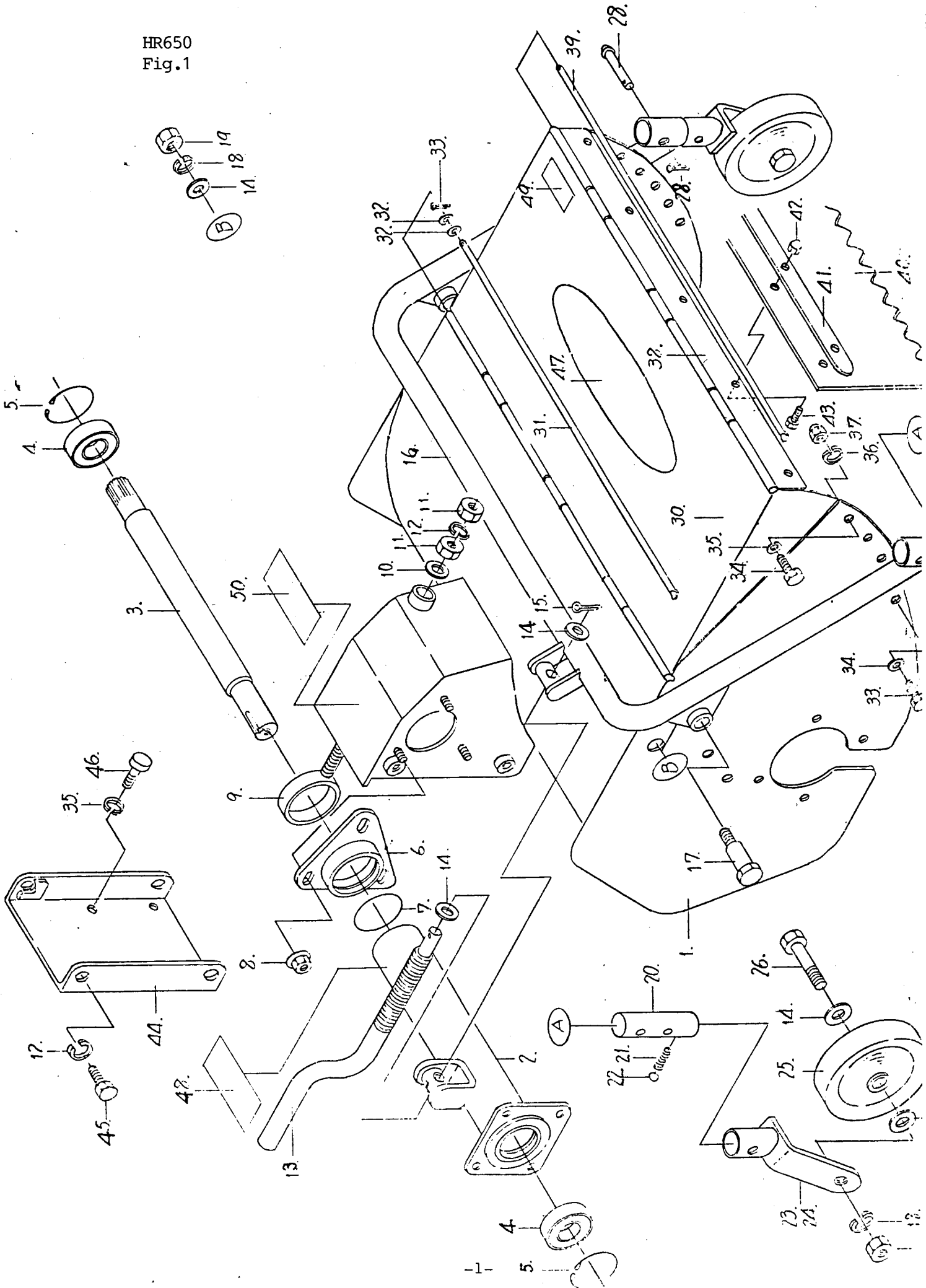
Manufacturer:

OHASHI AGRICULTURAL MACHINERY MFG. CO., LTD.

Sole Agency:

KIYOHARA & CO., LTD., OSAKA, JAPAN

HR650
Fig.1

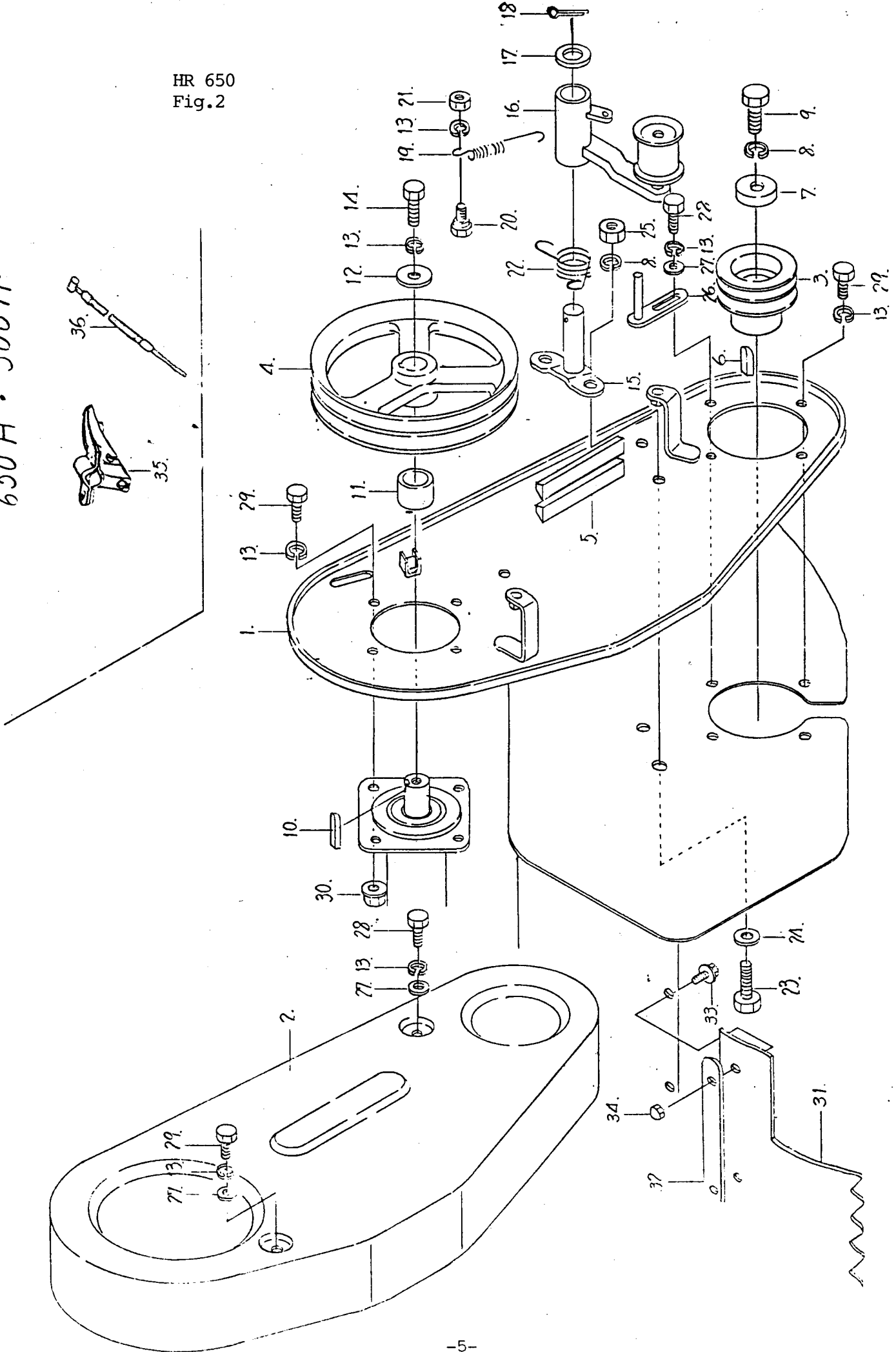


<u>Ref. No.</u>	<u>Parts No.</u>	<u>Parts Name</u>	<u>Q'ty</u>	<u>Remarks</u>
1	23341-245-0	Rotary Cover	1	
2	23341-515-0	Supporter Pipe	1	
3	23341-506-0	The 1st Shaft for Knife	1	
4	S601A6004uu	Ball Bearing	2	
5	S481J4200	Snap Ring	2	
6	23341-512-0	Supporter Pipe Fitting	1	
7	23115-299-0	O Ring (P48)	1	
8	23134-177-0	Nut with Flange (M8)	3	
9	23341-295-0	Chain Puller	1	
10	410B1000	Washer	1	
11	310B1000	Hexagon Nut	2	
12	461F1000	Spring Washer	1	
13	23341-649-0	Mowing Height Adjusting Lever	1	
14	410B1200	Washer	2	
15	550D3025	Split Pin	1	
16	23341-524-0	Front Arm	1	
17	23151-154-0	Fitting Bolt for Front Arm	2	
18	461F1200	Spring Washer	4	
19	23151-155-0	Hexagon Nut	2	M12x1.25
20	23341-462-0	Shaft for Front Wheel Fork	2	
21	23341-129-0	Spring Pushing Steel Ball	2	
22	23341-229-0	Steel Ball (Ø11)	2	
23	23341-262-0	Front Wheel Fork (Left)	1	
24	23341-463-0	Front Wheel Fork (Right)	1	
25	23341-261-0	Front Wheel	2	
26	23155-263-0	Axle with Screw	2	
27	310B1200	Hexagon Nut	2	
28	23113-186-0	Round-headed Pin	4	

<u>Ref. No.</u>	<u>Parts No.</u>	<u>Parts Name</u>	<u>Q'ty</u>	<u>Remarks</u>
29	23113-188-0	Snap Pin	4	
30	23341-361-0	Front Cover	1	
31		Shaft for Hinge (A)	1	
32	410B0500	Washer	4	
33	550D2020	Split Pin	2	
34	110B0816	Hexagon-headed Bolt	4	
35	410B0800	Washer	4	
36	461F0800	Spring Washer	4	
37	23113-148-0	Cap Nut (M8)	4	
38	23341-579-0	Flapper Fitting Plate	1	
39		Shaft for Hinge (B)	1	
40	23151-247-0	Flapper (Front)	1	
41	23151-248-0	Flapper Pad	1	
42	182B0616	Hexagon-headed Bolt with PW	5	
43	23113-146-0	Cap Nut with Flange		(M6)
44	23341-481-0	Adapter Bracket	1	
45	110B1025	Hexagon-headed Bolt	4	
46	110H0820	Hexagon-headed Bolt (8T)	4	
47	23213-909-0	Sticker	1	
48	23151-908-0	Mowing Height Adjusting Label	1	
49	23145-918-0	Notice Label	1	
50	23341-901-0	Sticker (Model)	1	

HR 650
Fig.2

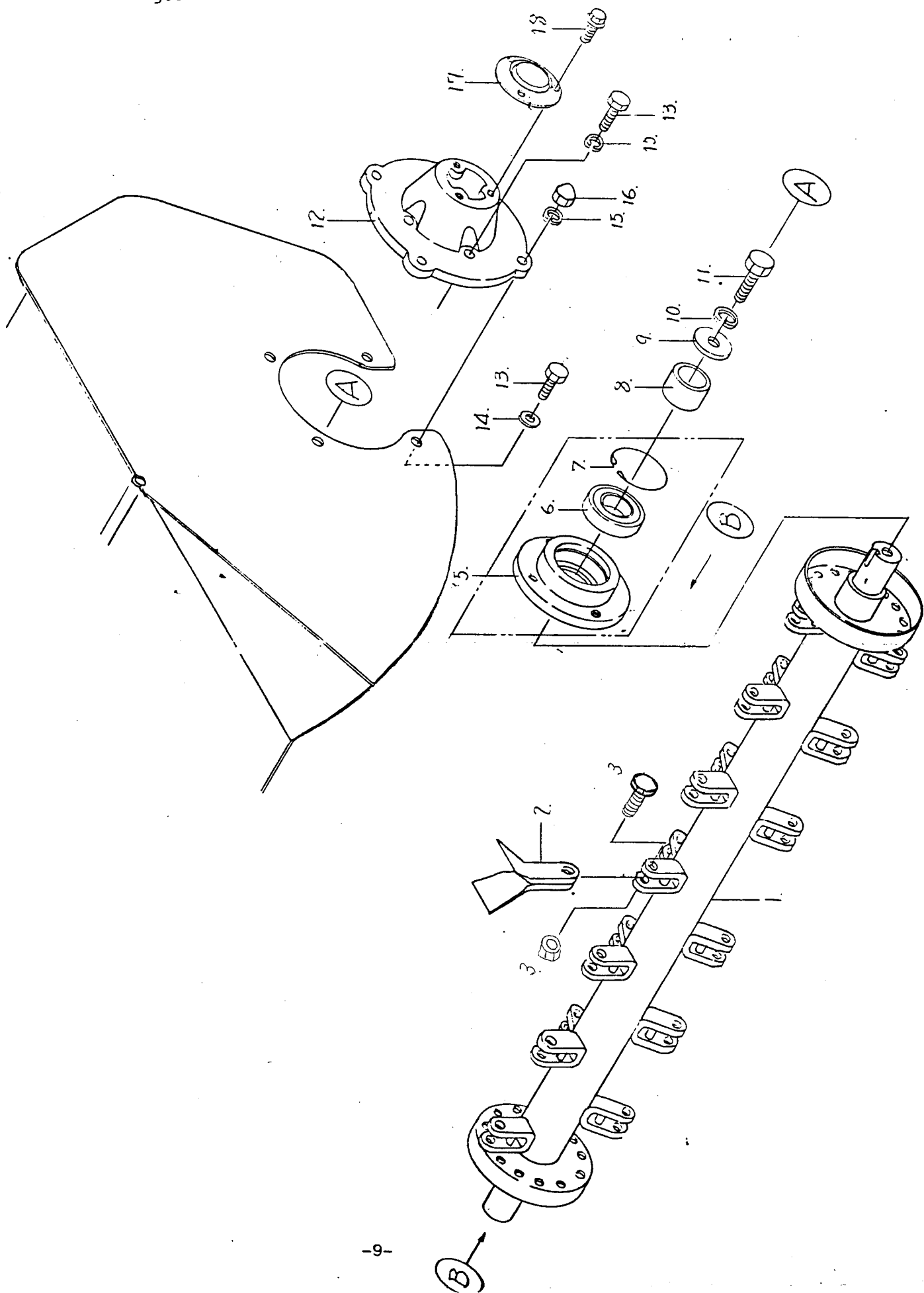
650 H · 500 H ·



<u>Ref. No.</u>	<u>Parts No.</u>	<u>Parts Name</u>	<u>Q'ty</u>	<u>Remarks</u>
1	23341-298-0	Belt Case (IN)	1	-
2	23151-198-0	Belt Case (OUT)	1	-
3	23341-632-0	Driven Pulley	1	-
4	23341-654-0	Driving Pulley	1	-
5	23151-395-0	V Belt	2	- LA-39
6	511A0725	Key	1	-
7	23151-395-0	Washer	1	- 035x010x6
8	461F1000	Spring Washer	3	-
9	110H1035	Hexagon-headed Bolt (8T)	1	-
10	511A0525	Key	1	-
11	23341-392-0	Pulley Collar	1	-
12	23113-197-0	Washer (ø8)	1	-
13	461F0800	Spring Washer	12	-
14	110B0825	Hexagon-headed Bolt	1	-
15	23341-134-0	Tension Arm Shaft	1	-
16	23341-142-0	Tension Arm	1	-
17	23134-197-0	Washer (ø16)	1	-
18	550D3025	Split Pin	1	-
19	23151-166-0	Tension Pulling Spring	1	-
20	23122-179-0	Wire Fitting Bolt	1	-
21	310B0800	Hexagon Nut	1	-
22	23113-342-0	Return Spring	1	-
23	110B1025	Hexagon-headed Bolt	2	-
24	410B0800	Washer	2	-
25	310B1000	Hexagon Nut	2	-
26	23151-194-0	Belt Supporter	2	-
27	410B0800	Washer	4	-
28	110B0820	Hexagon-headed Bolt	3	-

<u>Ref. No.</u>	<u>Parts No.</u>	<u>Parts Name</u>	<u>Q'ty</u>	<u>Remarks</u>
29	110B0816	Hexagon-headed Bolt	7	-
30	23134-177-0	Nut with Flange (M8)	4	-
31	23151-585-0	Flapper (Back)	1	-
32	23151-248-0	Flapper Pad	1	-
33	182B0616	Hexagon-headed Bolt with PW	5	-
34	23113-146-0	Cap Nut with Flange	5	- (M6)
35	23151-167-0	Rotary Clutch Lever		-
36	23151-554-0	Rotary Clutch Wire		-

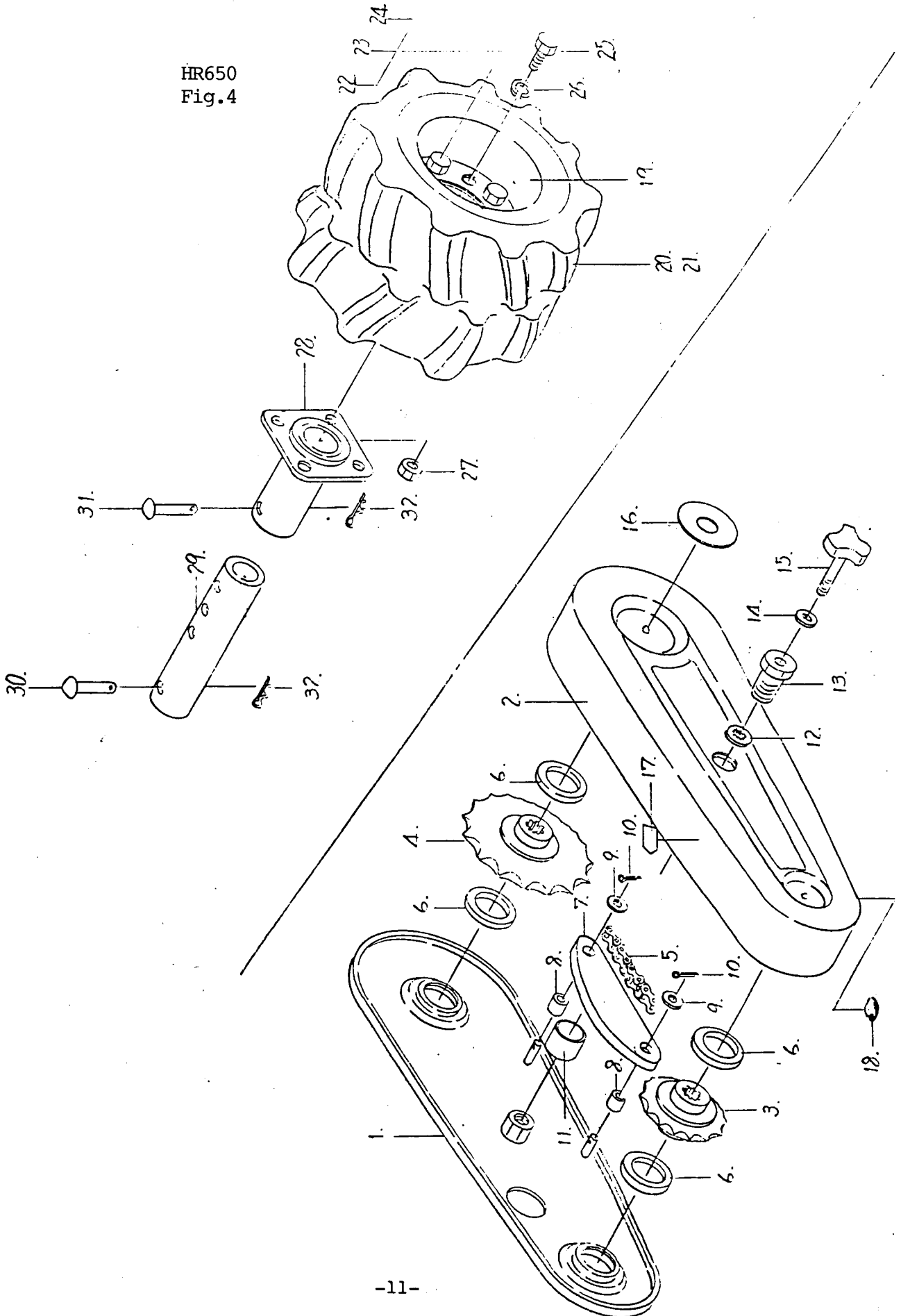
HR650
Fig.3



<u>Ref. No.</u>	<u>Parts No.</u>	<u>Parts Name</u>	<u>Q'ty</u>	<u>Remarks</u>
	23341-590-0	Knife Drum Assembly	1	
1	23341-591-0	Knife Drum	1	-
2	23151-592-0	Hammer Knife Blade	38	-
3	23351-465-0	Hammer Knife Fitting Bolt	19	.
		Assembly	-	
4	23341-608-0	B.B Case	2	-
5	S601A6206uu	Ball Bearing	2	-
6	S481J6200	Snap Ring	2	-
7	23151-216-0	Shaft Collar	1	.
8	23213-267-0	Washer (10)	1	.
9	461F1000	Spring Washer	1	.
10	110B1030	Hexagon-headed Bolt	1	.
11	23341-634-0	B.B Case Receiver	1	.
12	110B0825	Hexagon-headed Bolt	4	.
13	410B0800	Washer	4	.
14	461F0800	Spring Washer	4	.
15	23113-148-0	Cap Nut (M8)	4	.
16	23151-633-0	B.B Case Receiver Cover	1	.
17	182B0612	Hexagon-headed Bolt with PW	3	.

HR - 650

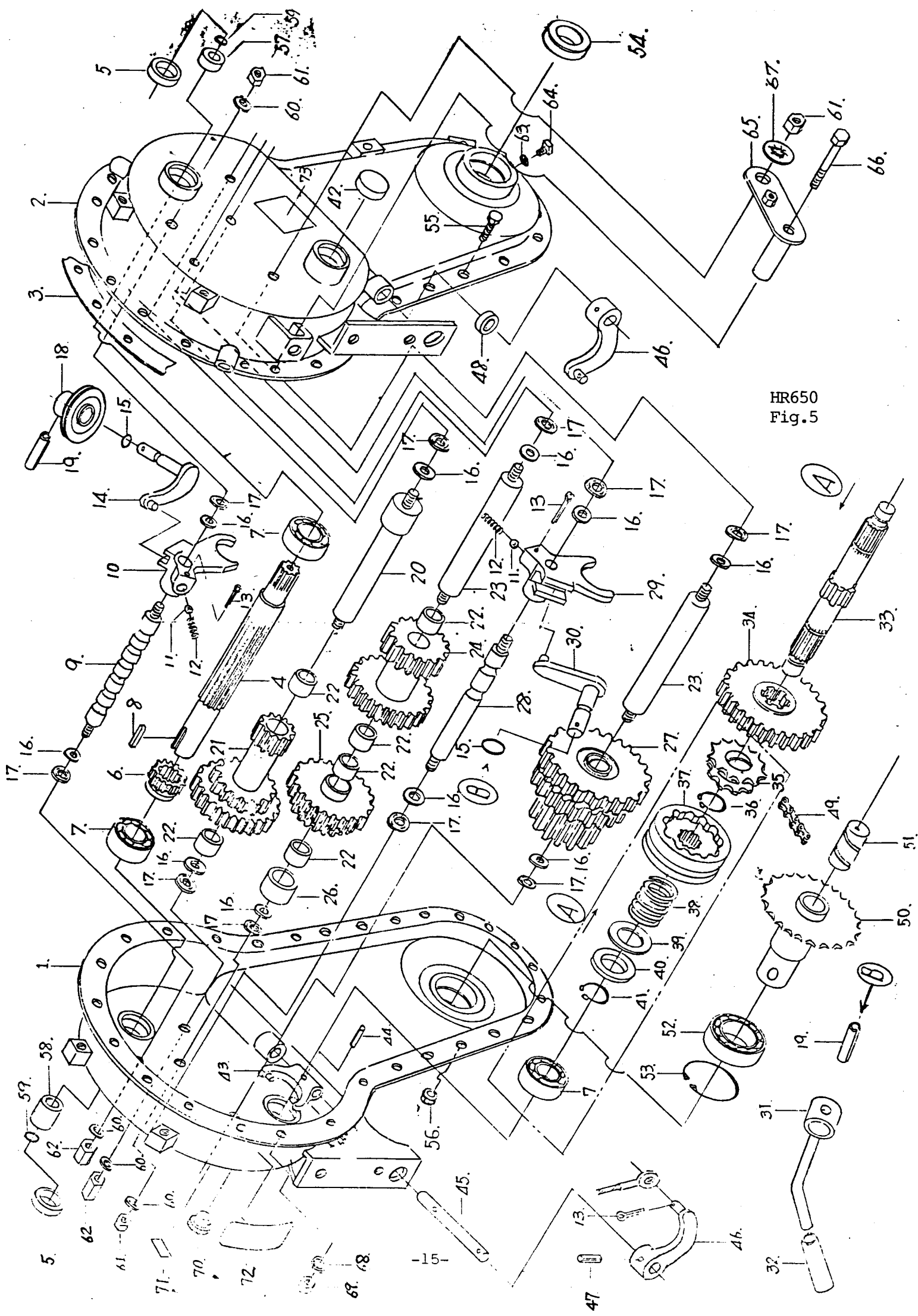
HR650
Fig.4



<u>Ref. No.</u>	<u>Parts No.</u>	<u>Parts Name</u>	<u>Q'ty</u>	<u>Remarks</u>
(7) 580	23341-270-0	Counter Case Assembly	1	
1	23341-271-0	Counter Case (IN)	1	-
2	23335-272-0	Counter Case (OUT)	1	-
3	23335-274-0	Sprocket 13 teeth	1	-
4	23341-597-0	Sprocket 22 teeth	1	-
5	23341-286-0	Chain	1	- #40x62L
6	23335-417-0	Metal	4	-
7	23335-224-0	Chain Receiver	1	-
8	23335-147-0	Spacer	2	-
9	410B0600	Washer	2	-
10	550D2020	Split Pin	2	-
11	23335-145-0	Collar	1	-
12	S463H1600	Toothed Washer (Inside Toothed)	1	-
13	23335-289-0	Counter Case Fitting	1	-
14	S463H0800	Toothed Washer (Inside Toothed)	1	-
15	23145-288-0	Fitting Knob	1	-
16	23341-911-0	Counter Sticker	1	-
17	23113-912-0	Oil Inlet Mark	1	-
18	23155-108-0	Oiling Rubber Cap	1	-
	23263-180-0	Tire Wheel Assembly (Left)	1	-
	23263-380-0	Tire Wheel Assembly (Right)	1	-
19	23263-181-0	Wheel Assembly	2	-
20	23263-182-0	Tire	2	-
21	23263-183-0	Tube	2	-
22	110B1016	Hexagon-headed Bolt	8	-
23	461F1000	Spring Washer	8	-
24	310B1000	Hexagon Nut	8	-

3/ 23145-288-0

<u>Ref. No.</u>	<u>Parts No.</u>	<u>Parts Name</u>	<u>Q'ty</u>	<u>Remarks</u>
25	110B1020	Hexagon-headed Bolt	8	
26	461F1000	Spring Washer	8	
27	310B1000	Hexagon Nut	8	
28	23341-184-0	Wheel Boss	2	
29	23335-185-0	Wheel Tube	2	
30	23113-186-0	Round-headed Pin	2	
31	23113-187-0	Round-headed Pin	2	
32	23113-188-0	Snap Pin	4	



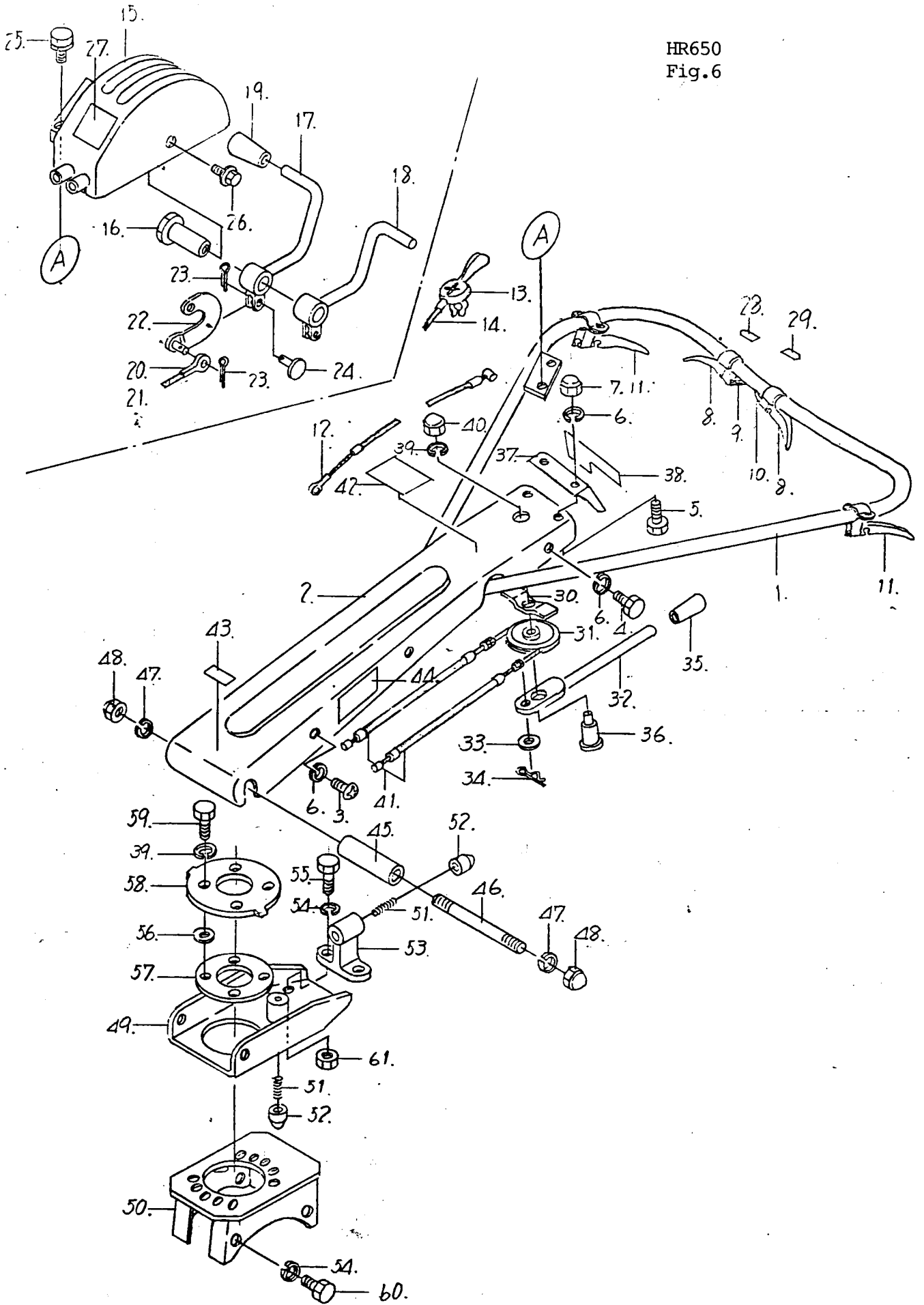
HR650
Fig. 5

<u>Ref. No.</u>	<u>Parts No.</u>	<u>Parts Name</u>	<u>Q'ty</u>	<u>Remarks</u>
1	23345-100-0	Gear Case Assembly	1	-
1	23345-101-0	Gear Case (Right)	1	-
2	23345-102-0	Gear Case (Left)	1	-
3	23335-103-0	Case Packing	1	-
4	23335-111-0	The 1st Shaft	1	-
5	23113-313-0	Oil Seal	2	- 28.38.8
6	23335-112-0	The 1st Shift Gear	1	-
7	S601A6004	Ball Bearing	4	-
8	511A0530	Key	1	-
9	23335-126-0	Shifter Fork Shaft	1	-
10	23335-127-0	Shifter Fork	1	-
11	600A1000	Steel Ball (Ø8)	2	-
12	23113-129-0	Spring	2	-
13	550D2020	Split Pin	4	-
14	23335-128-0	Swing Arm	1	-
15	23114-312-0	O Ring (P10)	2	-
16	23144-114-0	Washer	10	-
17	23144-314-0	Seal Washer	10	-
18	23113-131-0	Wire Guide A	1	-
19	23144-336-0	Spring Roll Pin	2	- 04x22
20	23335-116-0	Back Shaft	1	-
21	23335-123-0	Back Gear	1	-
22	23144-119-0	Bush (DU1615)	6	-
23	23335-115-0	The 2nd Sub-Change Gear Shaft	2	-
24	23335-122-0	The 2nd Shaft Top Gear	1	-
25	23335-121-0	The 2nd Shaft Low Gear	1	-
26	23335-216-0	Spacer	1	-
27	23335-325-0	Sub-Change Shift Gear	1	-

<u>Ref. No.</u>	<u>Parts No.</u>	<u>Parts Name</u>	<u>Q'ty</u>	<u>Remarks</u>
28	23335-326-0	Sub-Change Gear Shifter Fork Shaft	1	-
29	23335-327-0	Sub-Change Gear Shifter Fork	1	-
30	23335-328-0	Sub-Change Gear Swing Arm	1	-
31	23335-329-0	Sub-Change Gear Lever	1	-
32	23145-159-0	Sub-Change Gear Lever Handle	1	-
33	23335-122-0	The 3rd Shaft	1	-
34	23335-113-0	The 3rd Shaft 38-tooth-Gear	1	-
35	23335-316-0	12-tooth-Sprocket	2	-
36	480J2200	Snap Ring	2	-
37	23335-316-0	Side Clutch	2	-
38	23213-218-0	Spring (Counterclockwise-Coiled)	1	-
38	23213-418-0	Spring (Clockwise-Coiled)	1	-
39	23335-219-0	Thrust Washer	2	- WC18DUN
40	23144-319-0	Slip Ring	2	-
41	480J2000	Snap Ring	2	-
42	23122-106-0	Seal Tap	2	- 038
43	23335-317-0	Side Clutch Fork	2	-
44	23144-336-0	Spring Roll Pin	2	- 04x22
45	23335-318-0	Side Clutch Shaft	2	-
46	23335-331-0	Side Clutch Arm	2	-
47	23144-335-0	Spring Roll Pin	2	- 04x22
48	S654A12227	Oil Seal	2	-
49	23335-282-0	Chain	2	- #40x58L
50	23345-324-0	Axle (Complete)	2	-
51	S601A6007	Ball Bearing	2	-
52	23213-323-0	Axle Pin	2	-
53	S481J6200	Snap Ring	2	-

<u>Ref. No</u>	<u>Parts No.</u>	<u>Parts Name</u>	<u>Q'ty</u>	<u>Remarks</u>
54	23213-107-0	Oil Seal (with Adapter)	2	40.62.12
55	110H0614	Hexagon-headed Bolt (8T)	24	-
56	23134-238-0	Terminal Nut (M6)	24	-
57	23335-311-0	Seal Collar	1	-
58	23335-415-0	Seal Collar	1	-
59	23144-298-0	O Ring (P20)	2	-
60	410B1000	Washer	10	-
61	310B1000	Hexagon Nut	7	-
62	23144-294-1	Long Nut (M10)	2	-
63	23134-314-0	Seal Washer (Ø8)	1	-
64	110B0812	Hexagon-headed Bolt	1	-
65	23335-287-0	Counter Case Fitting Pad	1	-
66	110B0880	Hexagon-headed Bolt	1	-
67	S463H1000	Toothed Washer (Inside Toothed)	1	-
68	461F0800	Spring Washer	1	-
69	310B0800	Hexagon Nut	1	-
70	23213-108-0	Oil Cap	1	-
71	23335-912-0	Oil Inlet Mark	1	-
72	23335-923-0	Sub-Change Gear Mark		-
73	23345-941-0	Name Plate (Model)	1	-

HR650
Fig. 6

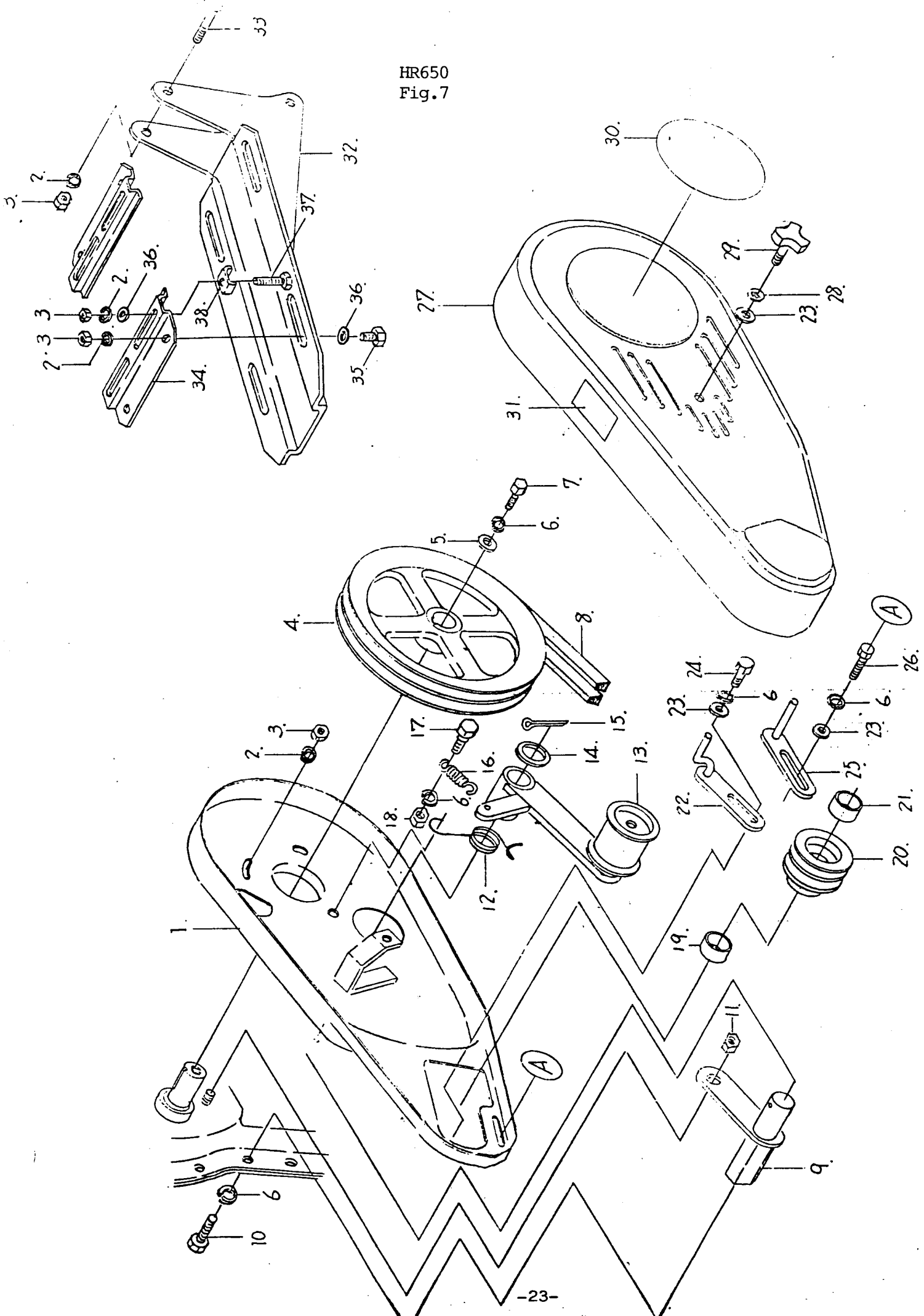


<u>Ref. No.</u>	<u>Parts No.</u>	<u>Parts Name</u>	<u>Q'ty</u>	<u>Remarks</u>
1	23144-153-0	Handle	1	-
2	23144-353-0	Handle Bonnet	1	-
3	220B0610	Screw	4	-
4	110B0612	Hexagon-headed Bolt	2	-
5	110B0612	Hexagon-headed Bolt	22	-
6	461F0600	Spring Washer	8	-
7	23113-146-0	Cap Nut (M6)	2	-
8	23114-171-0	Up & Down, Right & Left Wire for Handle	2	-
9	23144-168-0	Up & Down Wire for Handle	1	-
10	23144-169-0	Right & Left Wire for Handle	1	-
11	23144-366-0	Side Clutch Lever	2	-
12	23335-364-0	Side Clutch Wire	2	-
13	23144-175-0	Throttle Lever	1	-
14	23144-176-0	Throttle Wire	1	-
15	23341-368-0	Tension Lever Case	1	-
16	23341-369-0	Lever Shaft	1	-
17	23341-167-0	Main Clutch Lever	1	-
18	23341-234-1	Rotary Clutch Lever	1	-
19	23115-159-0	Tension Lever Handle	2	-
20	23145-165-0	Main Clutch Wire	1	-
21	23341-554-0	Rotary Clutch Wire	1	-
22	23341-333-0	Lever Joint	2	-
23	550D2020	Split Pin	4	-
24	23213-379-0	Fitting Pin	2	-
25		Hexagon-headed Bolt with SW	2	-
26	182B0612	Hexagon-headed Bolt with PW	1	-
27	23341-907-0	On & Off Mark for Clutch	1	-
28	23113-904-0	Up & Down Mark for Handle	1	-

<u>Ref. No.</u>	<u>Parts No.</u>	<u>Parts Name</u>	<u>Q'ty</u>	<u>Remarks</u>
29	23113-905-0	Right & Left Mark for Handle	1	
30	23113-157-0	Leaf Spring	1	
31	23113-156-0	Wire Guide B	1	
32	23115-158-1	Change Lever	1	
33	410B1200	Washer	1	
34	23113-161-0	Snap Pin	1	
35	23115-159-1	Change Lever Handle	1	
36	23113-162-0	Wire Guide Shaft	1	
37	23113-163-0	Change Guide Plate	1	
38	23115-902-0	Change Mark	1	
39	461F0800	Spring Washer	5	
40	23113-148-0	Cap Nut (M8)	1	
41	23335-164-0	Change Wire	2	
42	23341-901-0	Name Plate (Model)	1	
43	23113-903-0	ISO Mark	1	
44	23144-921-0	Counter Equipment Label	1	
45	23144-359-0	Handle Fitting Spacer	1	
46	23113-154-0	Handle Setting Bolt	1	
47	461F1200	Spring Washer	2	
48	23113-149-0	Cap Nut (M12)	2	
49	23335-352-0	Turntable for Handle	1	
50	23335-351-0	Bracket for Handle	1	
51	23113-174-0	Stopper Spring	2	
52	23114-172-0	Stopper Pin	2	
53	23145-372-0	Up & Down Stopper Bracket	1	
54	110B1015	Hexagon-headed Bolt	2	
55	461F1000	Spring Washer	2	
56	23114-387-1	Shim Washer	4	

<u>Ref. No.</u>	<u>Parts No.</u>	<u>Parts Name</u>	<u>Q'ty</u>	<u>Remarks</u>
57	23114-354-1	Spacer	1	
58	23335-152-0	Pushing Plate	1	
59	110B0820	Hexagon-headed Bolt	4	
60	110B1020	Hexagon-headed Bolt	4	
61	23335-239-0	Small Hexagon Nut (M10)	2	

HR650
Fig. 7



<u>Ref. No.</u>	<u>Parts No.</u>	<u>Parts Name</u>	<u>Q'ty</u>	<u>Remarks</u>
1	23335-298-0	Belt Cover (IN)	1	.-
2	461F1000	Spring Washer	12	-
3	310B1000	Hexagon Nut	12	-
4	23335-197-0	Main Shaft Pulley	1	-
5	23113-197-0	Washer (Ø8)	1	-
6	461F0800	Spring Washer	5	-
7	110B0820	Hexagon-headed Bolt	1	-
8	S81RECLB38 V Belt (LB-38)		1	-
	23335-195-0 V Belt (LA-38)		1	-
9	23335-134-0	Tension Arm Shaft	1	-
10	110B0820	Hexagon-headed Bolt	1	-
11	310B1000	Hexagon Nut	1	-
12	23113-342-0	Return Spring	1	-
13	23335-142-0	Tension Arm	1	-
14	23134-197-0	Washer (Ø16)	1	-
15	550D3025	Split Pin	1	-
16	23114-166-0	Tension Pulling Spring	1	-
17	23122-179-0	Wire Fitting Bolt	1	-
18	310B0800	Hexagon Nut	1	-
19	23345-391-0	Pulley Collar (Inside)	1	-
	23345-397-0	Pulley Collar (Inside)	1	-
20	23345-191-0	Engine Pulley	1	-
21	23345-392-0	Pulley Collar (Outside)	1	-
	23345-399-0	Pulley Collar (Outside)	1	-
22	23335-193-0	Belt Supporter (Upper)	1	-
23	410B0800	Washer	3	-
24	110B0816	Hexagon-headed Bolt	1	-
25	23335-194-0	Belt Supporter (Under)	1	-
26	110B0825	Hexagon-headed Bolt	1	-

<u>Ref. No.</u>	<u>Parts No.</u>	<u>Parts Name</u>	<u>Q'ty</u>	<u>Remarks</u>
27	23335-198-0	Belt Case (OUT)	1	-
28	S463H0800	Toothed Washer (Inside Toothed)	1	-
29	23144-288-0	Fitting Knob	1	-
30	23341-922-0	Seal (Belt Case)	1	-
31	23213-917-0	Notice Mark	1	-
32	23335-144-0	Engine Base	1	-
33	23335-348-0	Fitting Bolt	2	- M10x78
34	23335-343-0	Free Base	2	-
35	110B1025	Hexagon-headed Bolt	4	-
36	410B1000	Washer	8	-
37	110B1040	Hexagon-headed Bolt	4	-
38	23222-347-0	Washer	4	-