

Parts catalogue

LAWN MOWER

(EXPORT MODEL)
GR538/H (2Action)

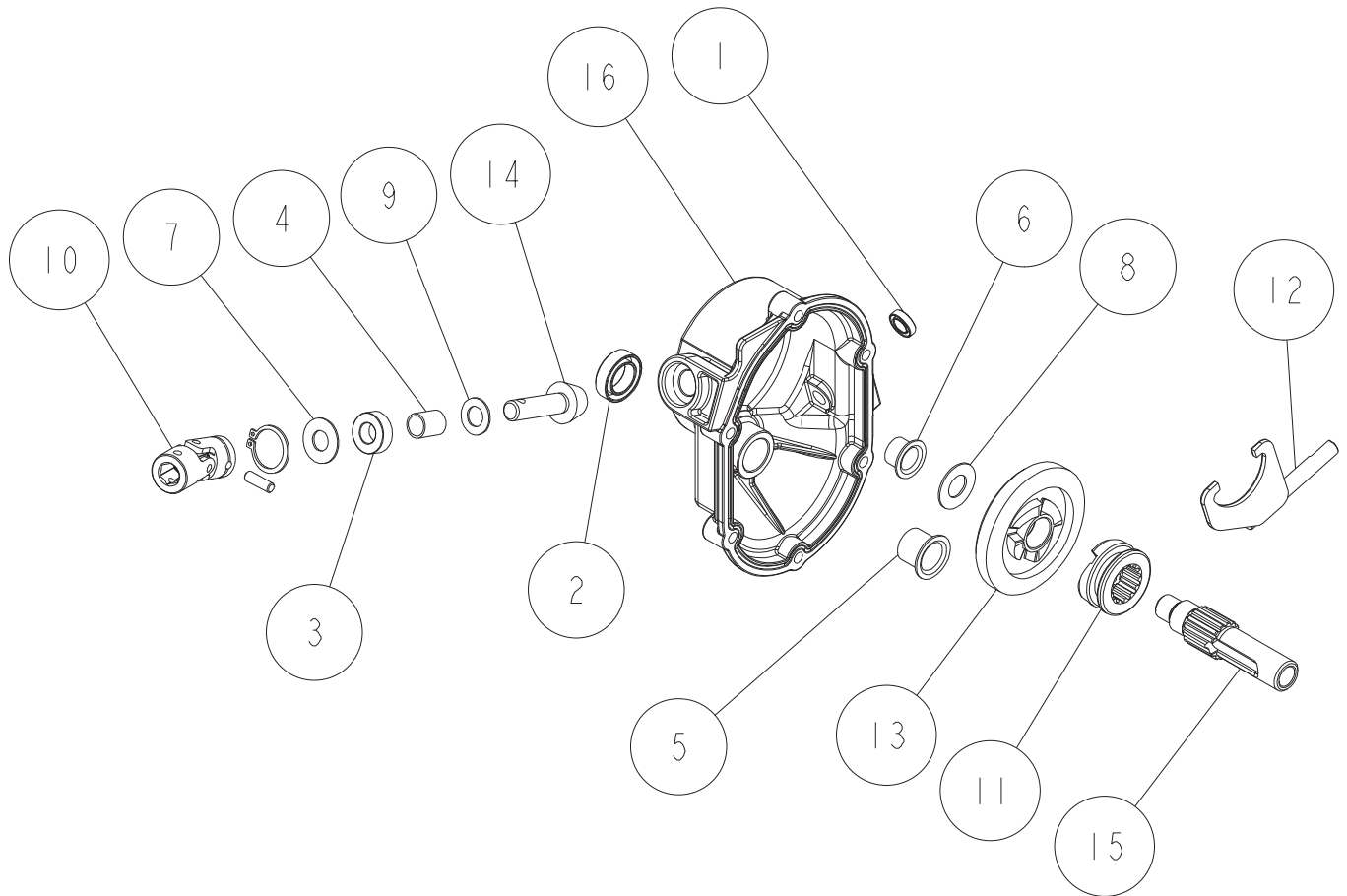
MODEL	CODE
GR538	0270 - ○○○○

CONTENTS

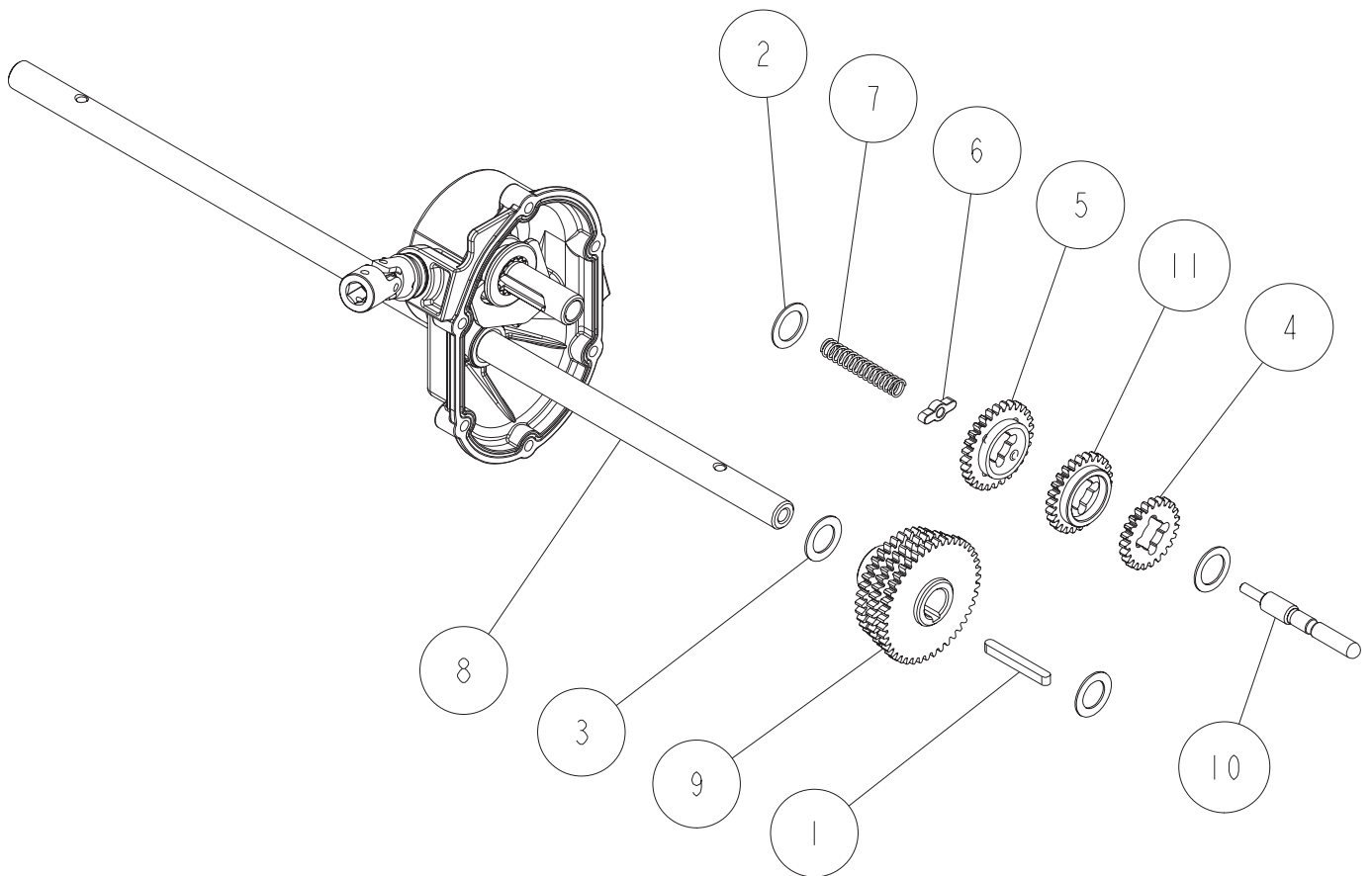
Fig. 1 TRANSMISSION	1
Fig. 2 SAFETY COVER	5
Fig. 3 DRIVE GR538	7
Fig. 4 HANDLE	9
Fig. 5 BLADE AND BAG	12
Fig. 6 BBC	13
Fig. 7 LABEL	14

Update : Sep. 2020

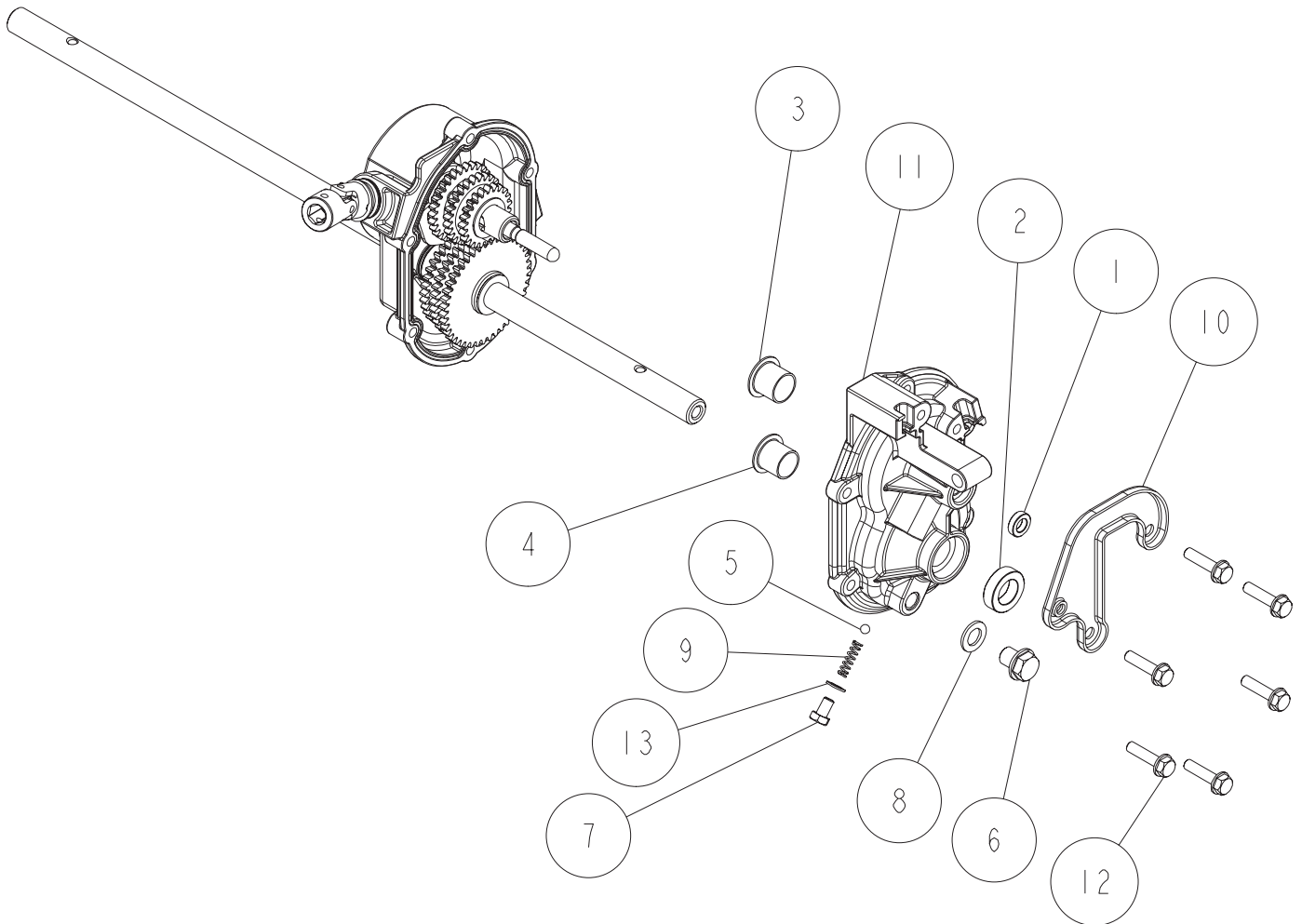
MEMO



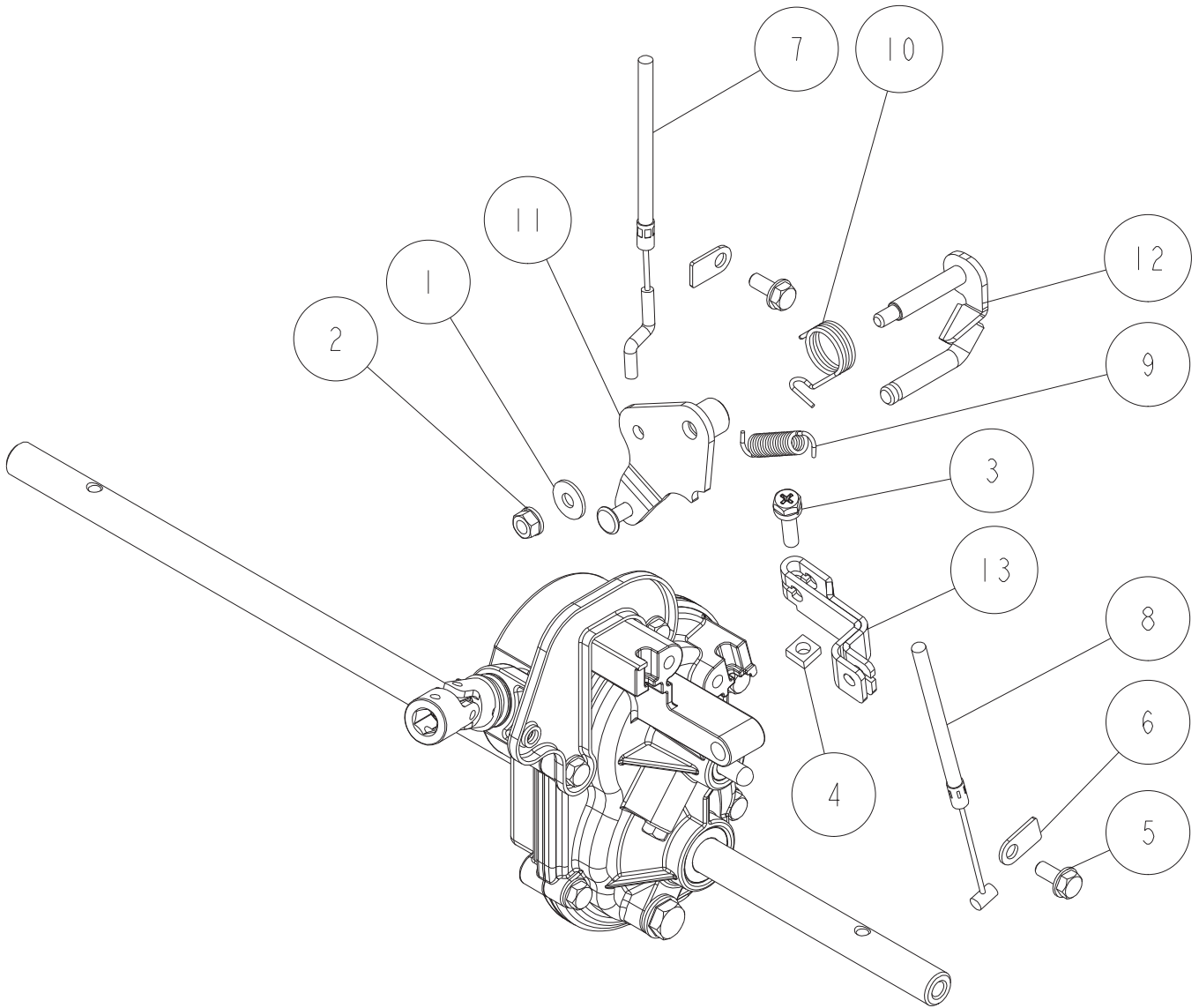
Ref.	Parts Number	Parts Name	Quantity	Remarks
1	89-5131-081404	Oil Seal KE 8.14.4	1	
2	89-5121-152507	Oil Seal UE 15.25.7	1	
3	89-5121-102007	Oil Seal UE 10.20.7	1	
4	89-3512-010150	DBB Bush 10.15	1	
5	89-3511-015150	DU Bush 15.15.23F	1	
6	89-3511-012100	DU Bush 12.10.20F	1	
7	83-1210-352-00	Thrust Washer 10*22*1.0	1	
8	83-1020-355-00	Thrust Washer 12*24*1.0	1	
9	83-1020-351-00	Thrust Washer 10*18*1.0	1	
10	80-1020-515-00	Universal Joint NC-10-37C1	1	
11	80-1020-119-10	Clutch for Driving	1	
12	80-1020-113-10	Clutch Fork	1	
13	0278-00500	Bevel Gear 53-tooth	1	
14	0278-00400	Pinion Bevel	1	
15	0268-00300	Main Shaft (3 speed type)	1	
16	0268-00100	Gear Case (Inside) (3 speed type)	1	



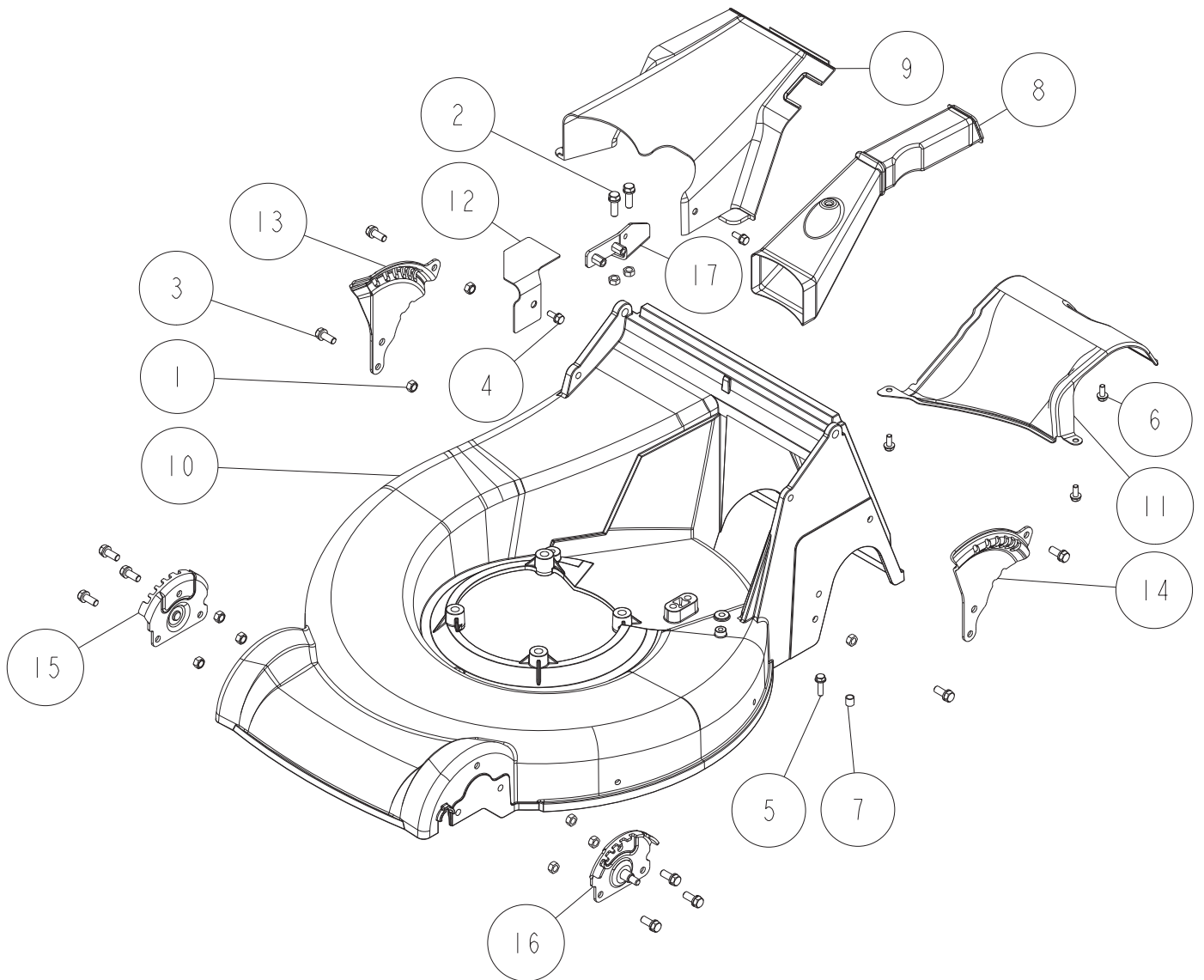
Ref.	Parts Number	Parts Name	Quantity	Remarks
1	89-2150-050430	Key 5*43 (round)	1	
2	83-1020-363-00	Thrust Washer 16*24*1.0	2	
3	83-1020-361-00	Thrust Washer 15*24*1.0	2	
4	80-1020-123-10	Gear (Low)	1	
5	80-1020-121-10	Gear (High)	1	
6	80-1020-108-00	Change Guide	1	
7	0268-70200	Driving Shift Spring	1	
8	0268-01200	Rear Axle (Key Type)	1	
9	0268-00600	Axle Gear (Key Type)	1	
10	0268-00500	Driving Change Shaft	1	
11	0268-00400	Gear 26T	1	



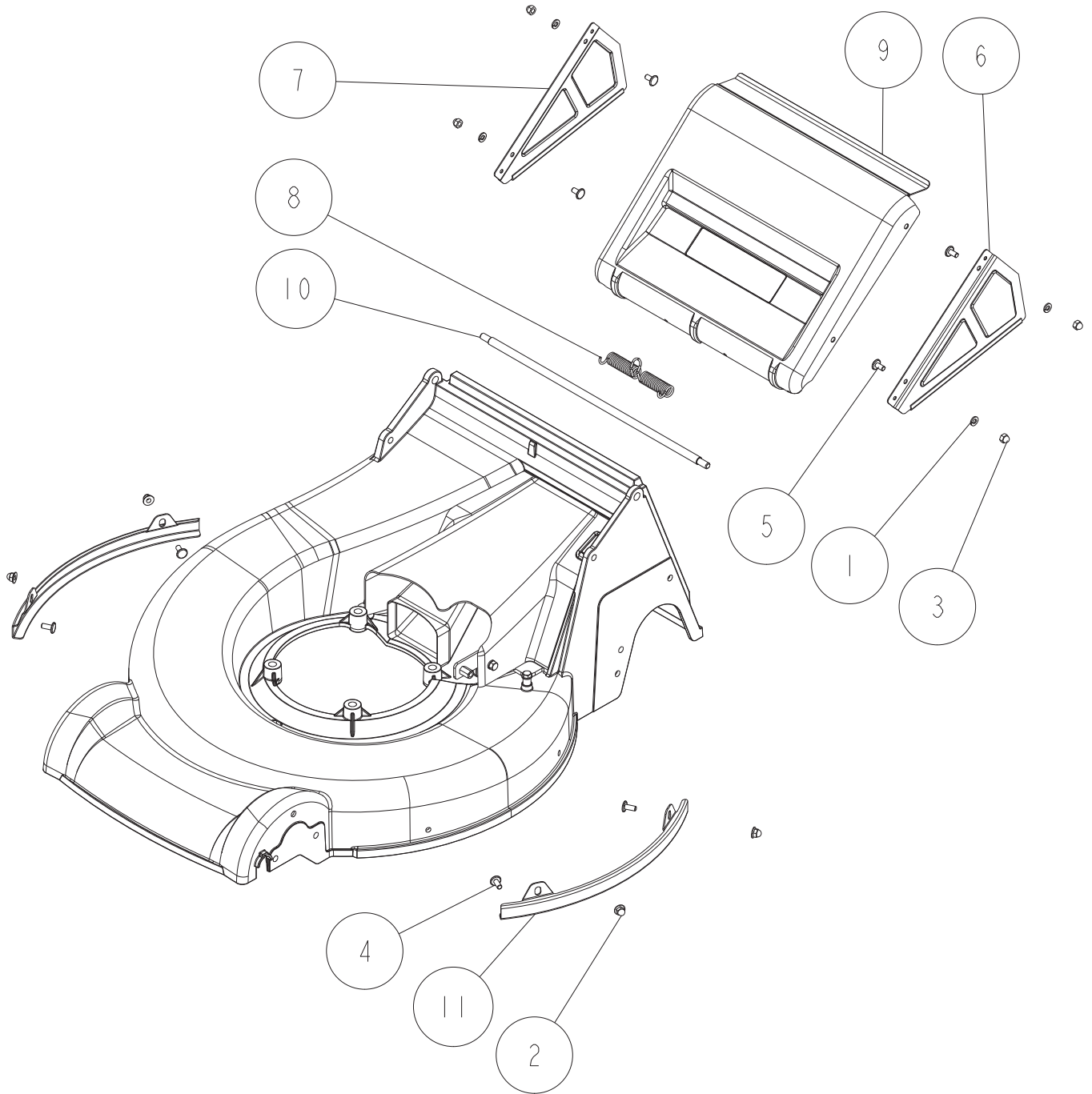
Ref.	Parts Number	Parts Name	Quantity	Remarks
1	89-5131-081404	Oil Seal KE 8.14.4	1	
2	89-5121-152507	Oil Seal UE 15.25.7	1	
3	89-3511-016150	DU Bush 16.15.24F	1	
4	89-3511-015150	DU Bush 15.15.23F	1	
5	89-3410-050000	Steel Ball 5.0	1	
6	89-1254-100122	Flange Mini Hexagonal Bolt M10*12 P=1.25	1	
7	89-1111-060103	Hexagonal Bolt M6*10	1	
8	83-1020-349-00	Copper Packing 10.5*18*1.6	1	
9	0268-70400	Shift Spring	1	
10	0268-00700	Lock Arm Bracket C	1	
11	0268-00200	Gear Case (Outside) (3 speed type)	1	
12	0208-73800	Hexagon Tap Tight M6*25	6	
13	0013-70800	Copper Packing 6	1	



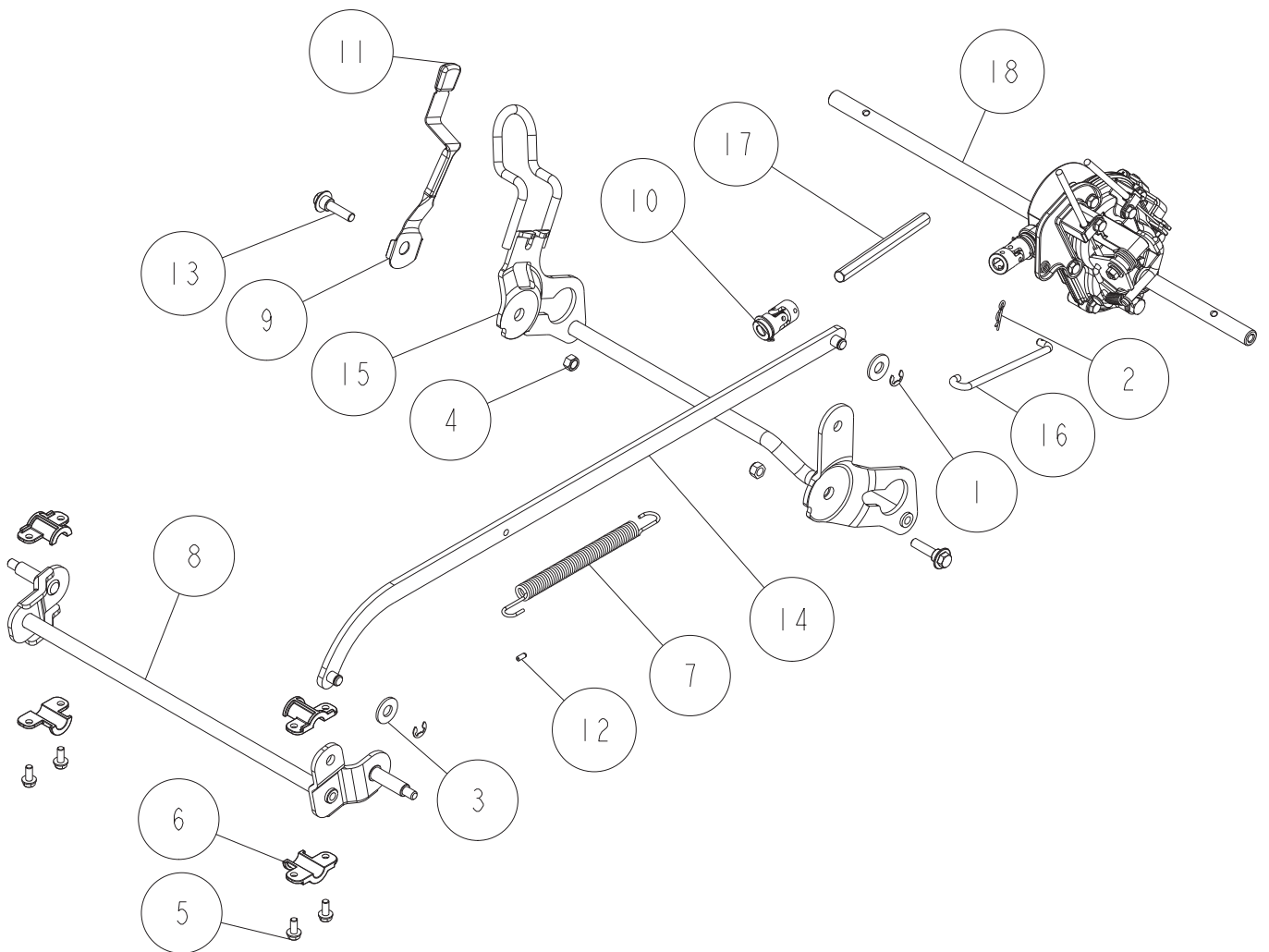
Ref.	Parts Number	Parts Name	Quantity	Remarks
1	89-1713-060002	Flat Washer 6 (large)	1	
2	89-1541-060002	Hexagonal Nut (SW) M6	1	
3	89-1144-060253	Hexagonal Bolt with Cross Hole (PW.SW) M6*25	1	
4	83-1020-198-00	Square Nut M6	1	
5	83-1020-148-00	Tapping Bolt M6*14	2	
6	80-1515-186-00	Wire Holder	2	
7	0268-71300	Driving Change Wire	1	
8	0268-71200	Driving Wire	1	
9	0268-70300	Change Arm Spring	1	
10	0268-70100	Change Arm Return Spring	1	
11	0268-01100	Change Arm B CMP	1	
12	0268-00900	Change Arm A CMP	1	
13	0268-00800	Clutch Arm	1	



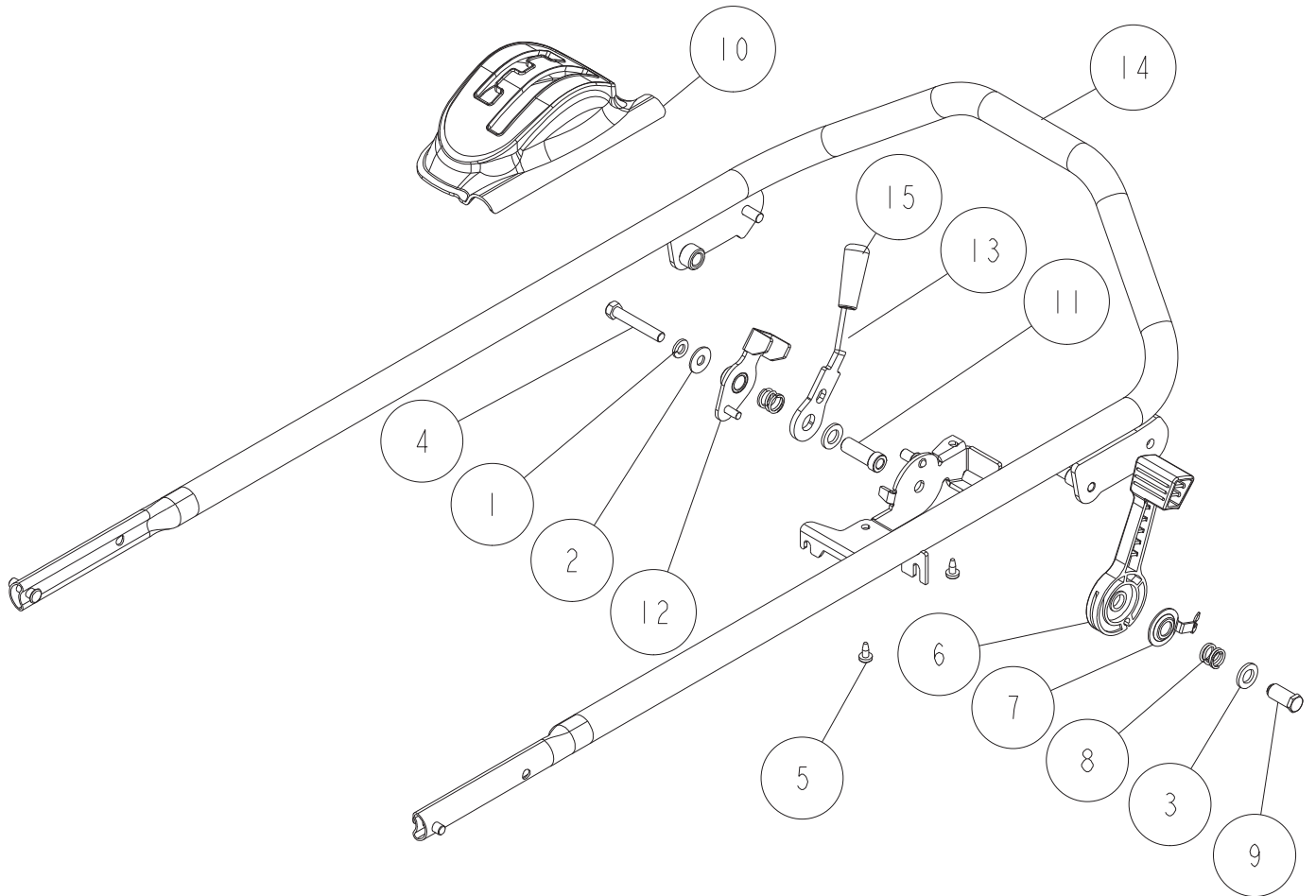
Ref.	Parts Number	Parts Name	Quantity	Remarks
1	89-1611-080043	Mini Hexagonal Nut M8	4	
2	89-1238-080252	Mini Hexagonal Bolt (SW) M8*25	2	
3	89-1238-080203	Mini Hexagonal Bolt (SW) M8*20	2	
4	89-1144-060163	Hexagonal Bolt with Cross Hole (PW.SW) M6*16	2	
5	83-1515-148-00	Tapping Bolt M6*22	1	
6	83-1020-148-00	Tapping Bolt M6*14	3	
7	80-1024-952-00	Spacer 6*10	1	
8	0278-74300	Discharge Duct	1	
9	0278-74200	Gear Case Cover	1	
10	0278-5111G	Cover (Body) 537PRO (Green)	1	
11	0278-5040H	Guide 535 (Metallic Grey)	1	
12	0268-6010H	Joint Cover (Metallic Grey)	1	
13	0268-3460H	Rear Wheel Adjusting Plate (R) 6 pos. (Metallic Grey)	1	
17	0230-6020H	Lock Arm Bracket A (Metallic Grey)	1	



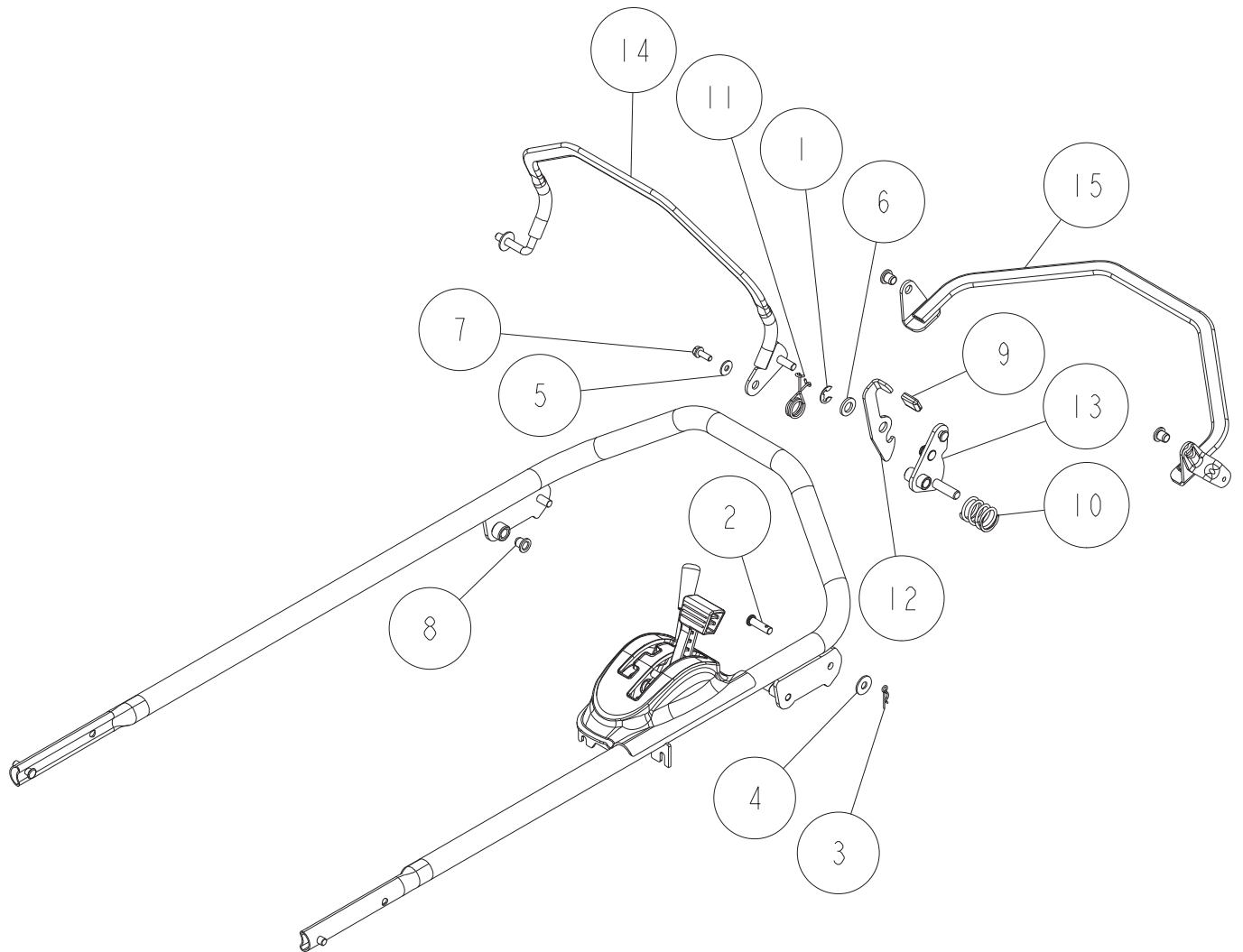
Ref.	Parts Number	Parts Name	Quantity	Remarks
1	89-1750-060003	Spring Washer 6	4	
2	89-1581-060042	Flange Cap Nut M6	4	
3	89-1571-060043	Cap Nut M6	4	
4	89-1390-060142	Welded Bolt M6*14	4	
5	89-1390-060123	Welded Bolt M6*12	4	
6	80-1020-755-21	Side Plate (Right) (White)	1	
7	80-1020-754-21	Side Plate (Left) (White)	1	
8	80-1020-753-00	Rear Cover Spring	1	
9	0278-50801	Rear Cover (White)	1	
10	0278-20700	Rear Cover Shaft	1	
11	0268-6020H	Side Guard (6 pos.) (Metallic Grey)	2	



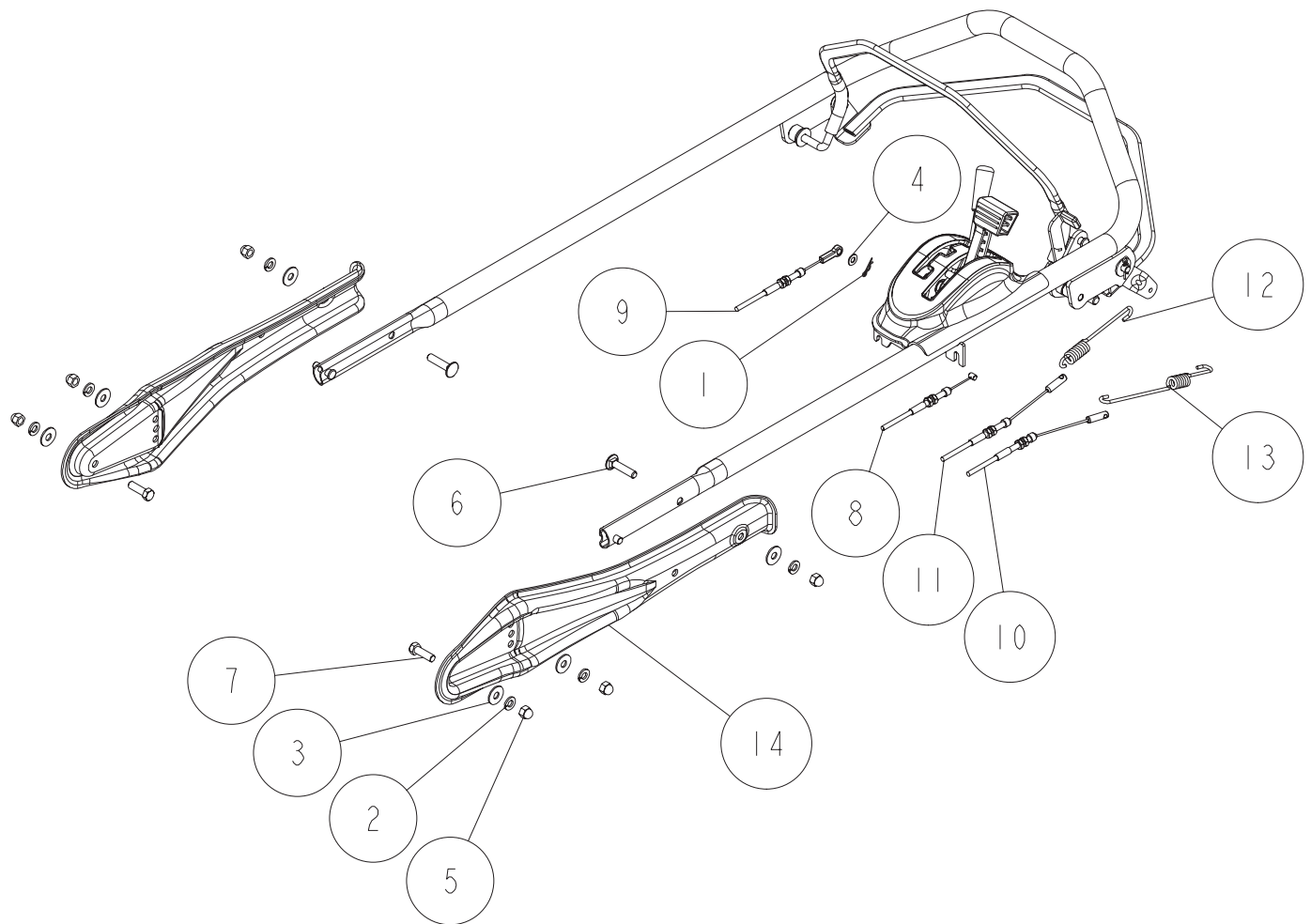
Ref.	Parts Number	Parts Name	Quantity	Remarks
1	89-2521-000083	E Type Ring 8	2	
2	89-2131-080002	Snap Pin 8	1	
3	89-1713-100003	Flat Washer 10 (large)	2	
4	89-1561-080003	Mini Hexagonal U Nut M8	2	
5	83-1020-148-00	Tapping Bolt M6*14	4	
6	80-1023-742-00	Arm Bush	4	
7	80-1023-417-00	Translation Spring	1	
8	80-1023-405-0H	Front Wheel Arm (Metallic Grey)	1	
9	80-1022-425-00	Rear Wheel Arm Stopper	1	
10	80-1020-515-00	Universal Joint NC-10-37C1	1	
11	80-1020-426-10	Adjuster Grip	1	
12	0279-73300	End Cap	1	
13	0278-70700	Arm Bolt	2	
14	0270-3020H	Translation Bar (6 pos.) (Metallic Grey)	1	
15	0270-3010H	Rear Wheel Arm (6 pos.) (Metallic Grey)	1	
16	0268-50300	Lock Arm 142L (6 pos.)	1	
17	0268-03500	Drive Shaft 145L (6 pos.)	1	
18	0268-01000	Gear Case Assy (3 speed type)	1	



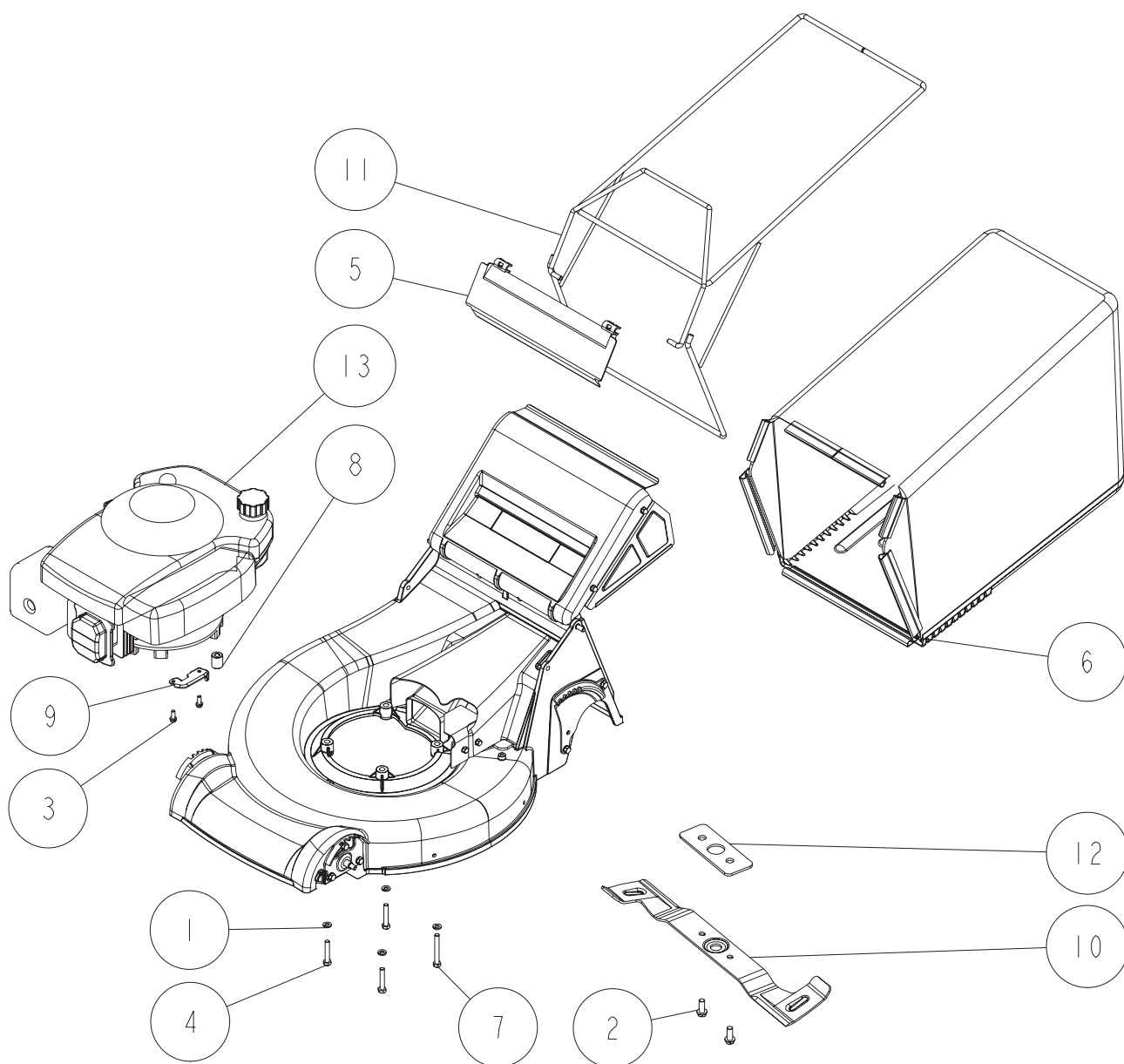
Ref.	Parts Number	Parts Name	Quantity	Remarks
1	89-1750-080003	Spring Washer 8	1	
2	89-1713-080003	Flat Washer 8 (large)	1	
3	89-1711-120003	Flat Washer 12	2	
4	89-1213-080553	Mini Hexagonal Bolt (8T) M8*55	1	
5	89-1161-050123	Tapping Screw 5*12	2	
6	80-1020-265-00	Throttle Lever (H)	1	
7	80-1020-264-00	Control Washer	1	
8	80-1020-263-00	Control Lever Shaft Spring	2	
9	80-1020-262-00	Control Lever Shaft	1	
10	0268-11100	Control Cover	1	
11	0268-10900	Change Lever Inner Collar	1	
12	0268-10601	Wire Arm CMP (White)	1	
13	0268-10500	Driving Change Lever	1	
14	0268-10101	Upper Handle CMP (537.538) (White)	1	
15	0317-71700	Lever Grip	1	



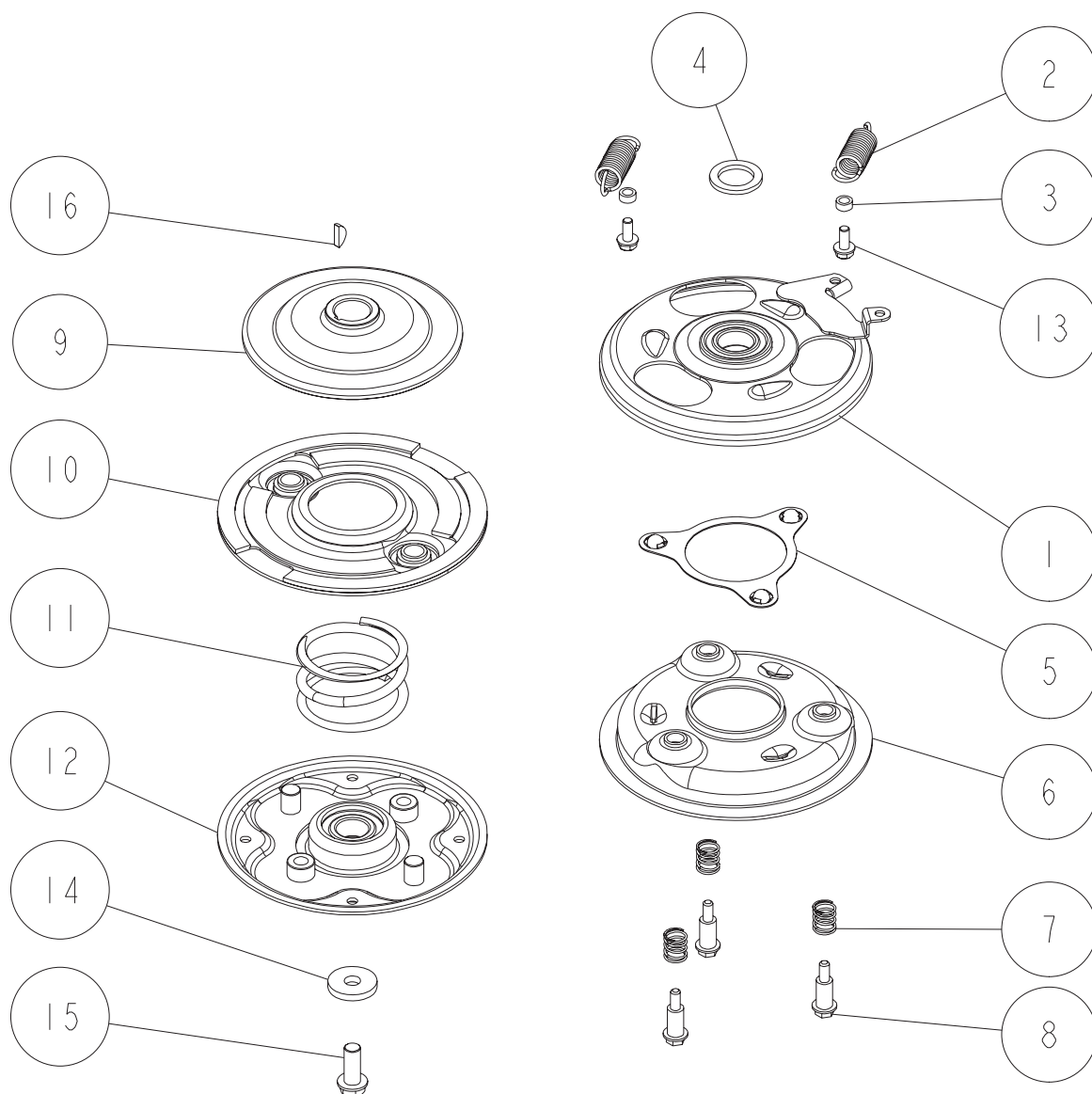
Ref.	Parts Number	Parts Name	Quantity	Remarks
1	89-2521-000100	E Type Ring 10	1	
2	89-2181-080282	Flat Head Pin 8*28	1	
3	89-2131-080002	Snap Pin 8	1	
4	89-1713-080003	Flat Washer 8 (large)	1	
5	89-1713-060002	Flat Washer 6 (large)	1	
6	89-1711-120003	Flat Washer 12	1	
7	89-1135-060182	Hexagonal Bolt (SW) M6*18	1	
8	80-1020-243-00	Driving Lever, Metal	3	
9	0305-70200	Lever Cap	1	
10	0268-70800	Damper Spring	1	
11	0268-70500	Lock Arm Return Spring	1	
12	0268-10700	Lock Arm	1	
13	0268-10400	Clutch Arm CMP	1	
14	0268-10302	Blade Clutch Lever CMP (537.538) (Red)	1	
15	0268-1020H	Driving Lever CMP (537.538) (Metallic Grey)	1	



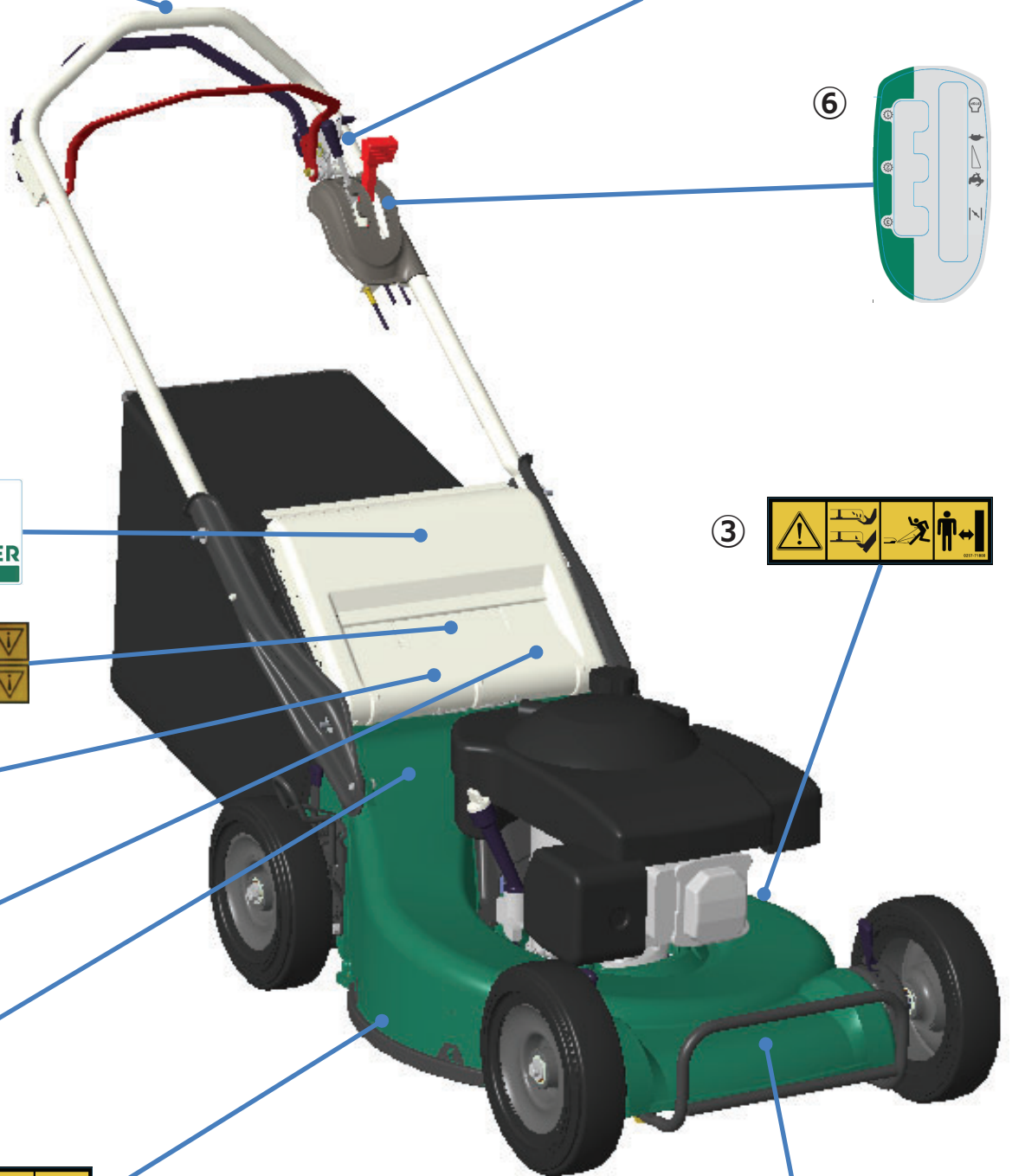
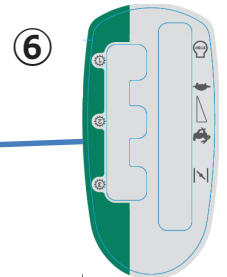
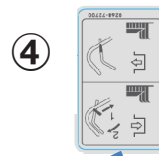
Ref.	Parts Number	Parts Name	Quantity	Remarks
1	89-2131-060002	Snap Pin 6	1	
2	89-1750-080003	Spring Washer 8	6	
3	89-1713-080003	Flat Washer 8 (large)	6	
4	89-1711-060002	Flat Washer 6	1	
5	89-1671-080043	Mini Cap Nut M8	6	
6	0268-75100	Handle Setting Bolt M8*35	2	
7	89-1213-080252	Mini Hexagonal Bolt (8T) M8*25	2	
8	0268-71400	Throttle Wire	1	
9	0268-71300	Driving Change Wire	1	
10	0268-71200	Driving Wire	1	
11	0268-71100	Blade Wire	1	
12	0268-70700	Blade Spring 110	1	
13	0268-70600	Driving Clutch Spring	1	
14	0268-1080H	Handle Setting (Metallic Grey)	2	



Ref.	Parts Number	Parts Name	Quantity	Remarks
1	89-1750-080003	Spring Washer 8	4	
2	89-1254-100252	Flange Mini Hexagonal Bolt M10*25 P=1.25	2	
3	83-1020-148-00	Tapping Bolt M6*14	2	
4	83-1020-116-00	Hexagonal Bolt 5/16-24*45UNF (H)	3	
5	80-1022-854-00	Bag Plate	1	
6	0278-74100	Bag C 80	1	
	0278-77200	Bag DB 80	1	(option)
7	0278-70800	Bolt 5/16-24*63UNF (H)	1	
8	0278-50500	Collar for Engine Setting	1	
9	0278-5030H	Blade Wire Setting (Metallic Grey)	1	
10	0268-72110	Wing Blade	1	
11	0268-2010H	Bag Frame CMP (Metallic Grey)	1	
12	0230-5010H	Blade Spacer 4.5H (H) (Metallic Grey)	1	
	0222-5010H	BBC Cover CMP (Metallic Grey)	1	(option)
13	-	Engine GXV160H2 SFE1	1	



Ref.	Parts Number	Parts Name	Quantity	Remarks
	0278-74800	B.B.C ASSY(GR536)	1	Include : 1~16
1	0278-70600	Blade (H) Assy	1	
2	80-1020-871-00	Clutch Return Spring (H)	2	
3	80-1020-872-00	Collar (H)	2	
4	80-1020-874-00	Thrust Washer (H)	1	
5	80-1020-877-00	Ball Retainer (H)	1	
6	80-1020-878-00	Blade Disc (H) Assy	1	
7	80-1020-881-00	Spring (H)	3	
8	80-1020-882-00	Blade Setting Bolt (H)	3	
9	80-1020-883-00	Drive Disc (H)	1	
10	80-1020-884-00	Driven Disc (H) Assy	1	
11	80-1020-886-00	Clutch Spring (H)	1	
12	80-1020-887-00	Ball Control Plate (H) Assy	1	
13	83-1020-148-00	Tapping Bolt M6*14	2	
14	83-1020-323-00	Washer 10*30*4.5	1	
15	89-1254-100252	Flange Mini Hexagonal Bolt M10*25 P=1.25	1	
16	89-2160-040160	Woodruff Key 4*16*6.5	1	



Ref.	Parts Number	Parts Name	Quantity	Remarks
1	80-1020-933-00	Label, Noise 98db	1	
2	0223-76100	Label, Caution (Large)	1	
3	0257-71800	Label, Caution (Middle)	2	
4	0268-72700	Label, Knife operation	1	
5	0268-72800	Label, Driving operation	1	
6	0268-72900	Control label GR538	1	
7	0270-71200	Label, GTEC MOWER GR538	1	
8	0270-71300	Label, Protection Equipment	1	
9	0270-71400	Attention Label for Slope 15°	1	
10	0930-71100	Label, OREC Logo	1	