

JARDIN S.A.

B.P. 133

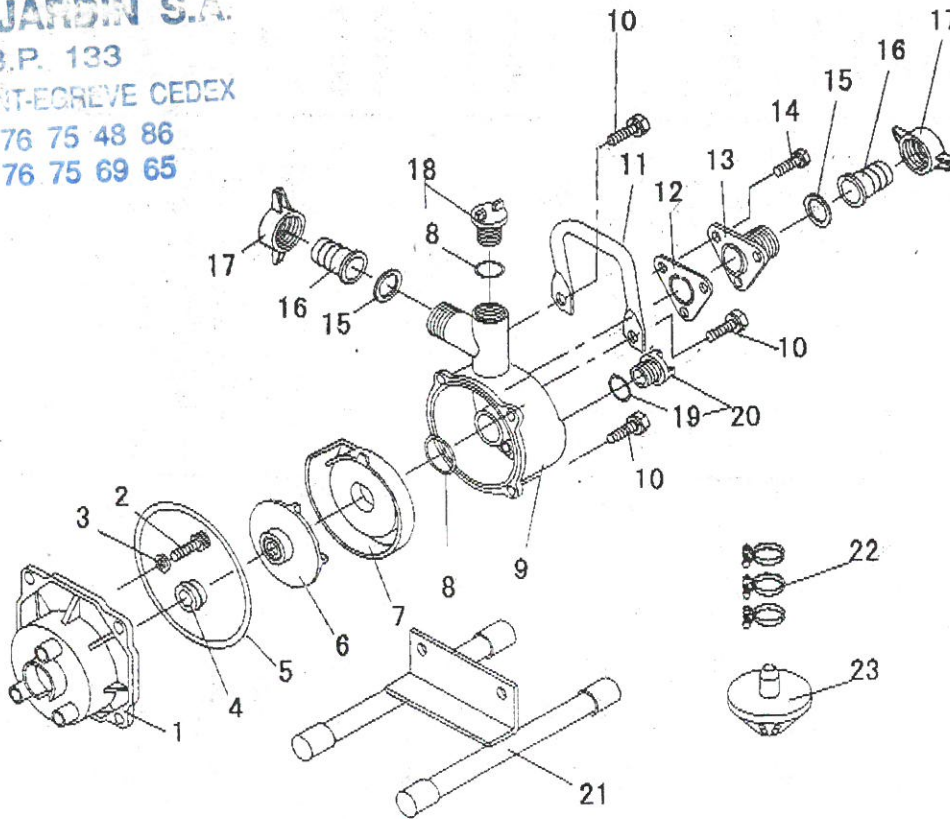
3521 SAINT-EGREVE CEDEX

Tel. 76 75 48 86

Fax 76 75 69 65

SCR-252M2

252M2



REF No.	Parts No.	Parts name	Q'ty	Price	Remarks
	-	TU26	1		
1	200 200 010	CASING COVER	1		
2	203 000 010	HEX.SOCKET BOLT	3		M5×25
3	203 100 030	AL WASHER	3		5×12×0.8
4	201 100 011	MECHANICAL SEAL	1		
5	200 800 010	O-RING	1		W1517-31
6	200 200 020	IMPELLER	1		
7	200 200 030	INNER CASING	1		
8	200 800 030	O-RING	2		P-41
9	200 200 040	CASING	1		OEL-25
10	203 000 020	HEX.BOLT	4		M8×30 P=2
11	200 300 020	HANGER	1		
12	200 900 010	CHECK VALVE	1		
13	200 200 050	VALVE CASE	1		PF1
14	1400 1001450	HEX.BOLT	3		M6×20 P=3
15	200 900 030	COUPLING PACKING	2		NBR
16	200 500 030	HOSE COUPLING	2		1"
17	200 500 020	COUPLING HANDLE	2		PF1
18	200 500 010	PRIMING PLUG ASSY	1		
19	200 800 020	O-RING	1		P-24
20	200 500 040	PLUG ASSY	1		
21	200 100 010	BASE ASSY	1		
22	201 000 020	HOSE BAND	3		1"
23	201 200 010	STRAINER	1		1J

No.2R-07121(1/1)

2004/5/27

2004年5月27日 18:26

KK973366584 573

692