

# Hustler® Parts Manual



**HUSTLER®**  
TURF EQUIPMENT

200 South Ridge Road

Hesston, Kansas

67062



#### NOTICE OF REQUIREMENT OF SPARK ARRESTER MUFFLER

This equipment may create sparks that can start fires around dry vegetation. California Public Resources Code Section 4442.6 provides that it is unlawful to use or operate an internal combustion engine on any forest-covered, brush-covered, or grass-covered land unless the engine is equipped with a spark arrester maintained in effective working order. A spark arrester is a device constructed of nonflammable materials specifically for the purpose of removing and retaining carbon and other flammable particles over 0.0232 of an inch in size from the exhaust flow of an internal combustion engine that uses hydrocarbon fuels or which is qualified and rated by the United States Forest Service. Other states or federal areas may have similar laws. The Operator Should Contact Local Fire Agencies For Laws or Regulations Relating to Fire Prevention Requirements. **THIS EQUIPMENT DOES NOT HAVE A SPARK ARRESTER AND YOU SHOULD CONTACT YOUR AUTHORIZED DEALER FOR THE PURCHASE OF A SPARK ARRESTER.**

Inspect spark arrester daily; replace every 500 hours or as needed.

The Engine Owner's Manual provides information regarding the U.S. Environmental Protection Agency (EPA) and the California Emission Control Regulation of emission systems, maintenance and warranty.

Keep Engine Owner's Manual with your unit. Should the Engine Owner's Manual become damaged or illegible, replace immediately. Replacements may be ordered per the information found in the Product Information section of the owner's manual.

Federal law and California State law prohibit the following acts or the causing thereof:

1. The removal or rendering inoperative by any person other than for purposes of maintenance, repair, replacement, of any device or element of design incorporated into any equipment for the purposes of emissions control prior to or after its sales or delivery to the ultimate purchaser or while it is in use, or
2. The use of the equipment after such device or element of design has been removed or rendered inoperative by any person.

General Information .....	1
<b>Frame, Foot Platform &amp; Tower Pad</b>	
Frame .....	3-1
Foot Platform & Tower Pad - S/N 18120890 & Higher .....	3-2
Foot Platform & Tower Pad - Prior to S/N 18120890 .....	3-3
<b>Hydraulic System, Drive Belt, Clutch, Steering &amp; Brake</b>	
Hydraulic System .....	4-1
Reservoir Assembly Breakdown .....	4-2
Left Pump Assembly Breakdown .....	4-3
Right Pump Assembly Breakdown .....	4-4
Hydraulic Pump Service Parts .....	4-5
Wheel Motor Breakdown .....	4-6
Pump Drive .....	4-7
Steering (Multi-Page) .....	4-8
Brake .....	4-9
<b>Wheels, Tires &amp; Fenders</b>	
Wheel & Tire .....	5-1
Front Wheel Assembly Breakdown .....	5-2
Drive Wheel Breakdown .....	5-3
<b>Engine, Muffler &amp; Fuel System</b>	
Engine, Muffler & Muffler Guard .....	6-1
Engine Service Parts .....	6-2
Fuel System .....	6-3
Fuel Tank Service Parts .....	6-4
<b>Instrument Panel, Wire Harness &amp; Battery</b>	
Battery .....	7-1
Instrument Panel & Wire Harness .....	7-2
<b>Deck, Deck Belt, Blades, Deck Lift &amp; Mounting</b>	
Service Deck .....	8-1
Deck Pulleys & Spindles .....	8-2
Spindle Assembly Service Parts - 607407 .....	8-3
Deck, Deck Belt, Blades .....	8-4
Dust Shield .....	8-5
Deck Lift & Mounting Hardware (Multi-Page) .....	8-6

---

## General Information

*Note:* When ordering parts, you must use the part number as shown for each part, not the index number. Always give the model and serial number to your parts and service representative.

*Note:* Items sold in bulk such as seals and hoses are sold by the foot.

---

### **Using This Manual**

This manual is part of a service package for the Hustler® mowers. Use of this manual in conjunction with other Hustler® mower and component manuals will provide the information necessary to service and maintain Hustler® mowers.

This Parts Manual provides a complete parts listing for the unit. Use this manual when ordering parts. Illustrations used were current at the time of printing, but subsequent production changes may cause your machine to vary slightly in detail. Excel Industries, Inc. reserves the right to redesign and change the machine as deemed necessary, without notification. If a change has been made to your machine which is not reflected in this parts manual, see your authorized dealer for current information and parts.

The Service Manual is a service guide for use by Service Technicians. It provides the necessary information needed to perform normal maintenance requirements on these units.

The Operator's Manual provides fundamental operational information and operational safety that is needed when operating the mower.

The component manuals are furnished by the various manufacturers to be used for the troubleshooting and servicing of their products.

### **Hardware Description Codes & Abbreviations**

The following codes are used throughout this parts manual. Refer to this list when ordering parts.

ABBREVIATION	DESCRIPTION	ABBREVIATION	DESCRIPTION
CB	CARRIAGE BOLT	MB	MACHINE BUSHING
CE	CLEVIS PIN	MS	MACHINE SCREW
CN	CLIP NUT	NT	NUT
CP	COTTER PIN	SC	SELF TAPPING CAP SCREW
CS	CAP SCREW	SH	SOCKET HEAD
CW	CUP WASHER	SB	SHOULDER BOLT
FDRW	FENDER WASHER	SS	SET SCREW
FW	FLAT WASHER	OD	OUTSIDE DIAMETER
HX	HEX HEAD	ID	INSIDE DIAMETER
LW	LOCK WASHER	WN	WELD NUT

---

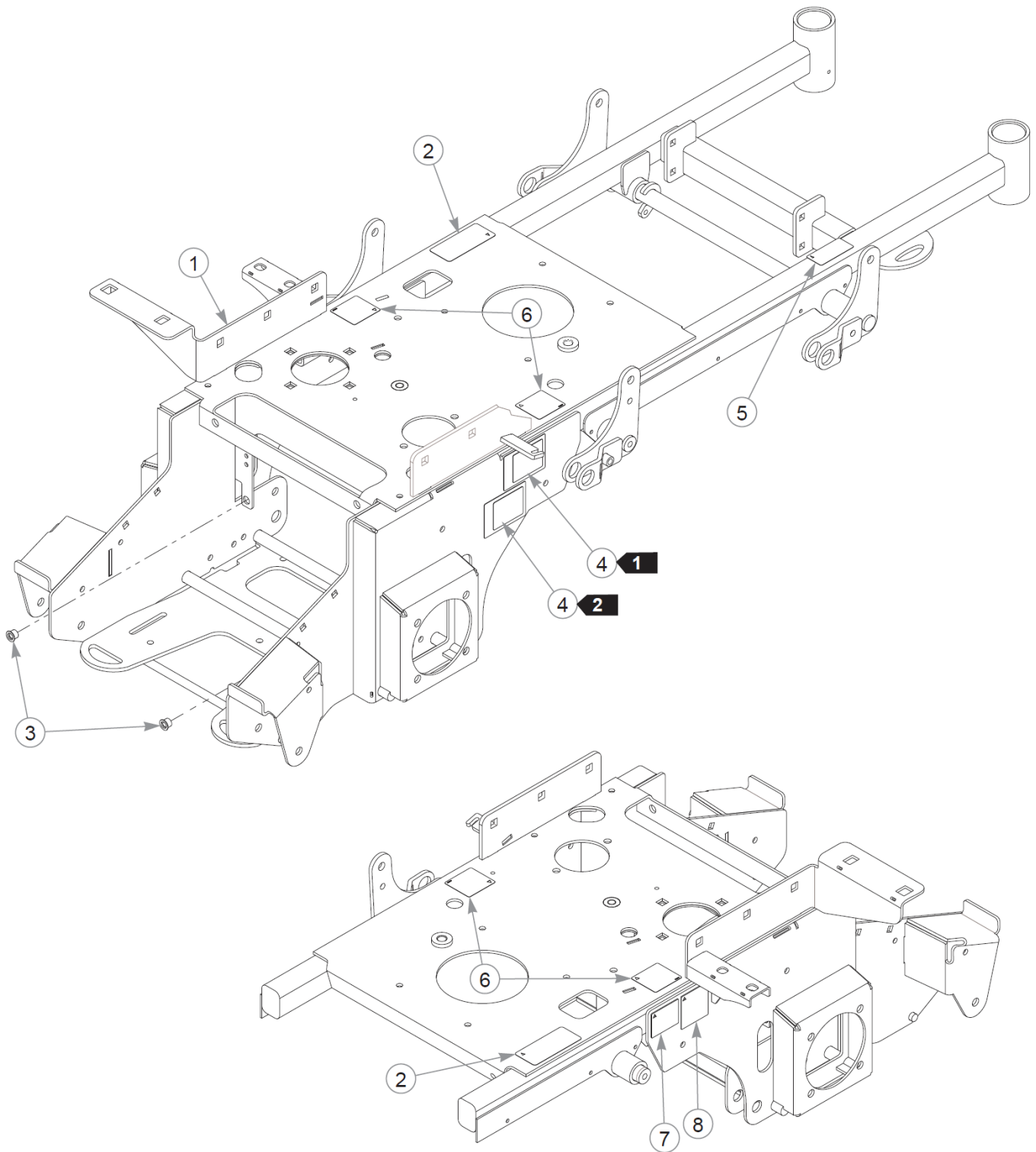
### **Standard Torques**

The following chart lists the standard torque values for the threaded fasteners found in this manual. Torque all cap screws, nuts and set screws to these values unless a different torque is shown in the Notes section next to the fastener.

SIZE	FT-LBS	N•M	SIZE	FT-LBS	N•M
.250	8.2	11.1	M3	1	1.3
.312	17	23	M4	2.2	3
.375	30	40	M5	4.5	6.1
.438	48	65	M6	7.7	10.4
.500	73	99	M8	18.5	25
.562	105	143	M10	37	50
.625	145	200	M12	64	87
.750	260	350	M14	80	108.5
.875	420	565	M16	160	215
1.00	625	850	M20	320	435
			M24	555	750

---

This page intentionally left blank

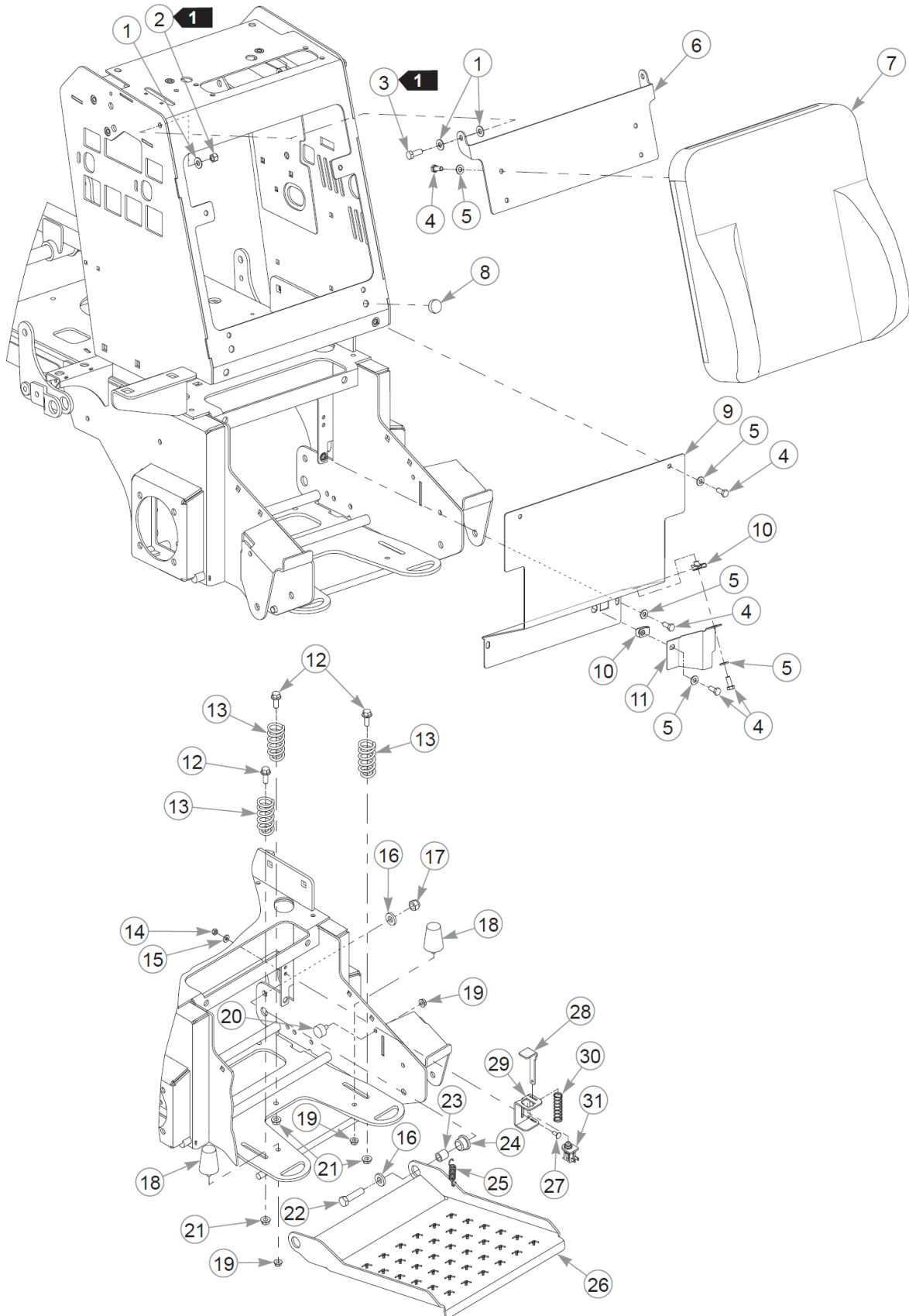


## Frame

Item	Part No.	Qty	Name
1	554669	1	SVC FRAME
2	606323	1	DECAL, ENGINE PLATE
3	808485	2	RIVET NUT, 5/16-18 THRE
4	N/A	2	SERIAL NUMBER / SPEC DECAL
5	602041	1	DECAL, HOT
6	602562	2	DECAL, NO SERVICE
7	776310	1	DECAL, CE MARK
8	794834CE	1	CE 100 DBA LIMIT DECAL

Comments for Page: Frame

1. Serial number decal. In the event the serial number decal becomes damaged or illegible, please contact your dealer to order a replacement.2. EPA compliance decal.3. The frame includes decals and rivet nuts.

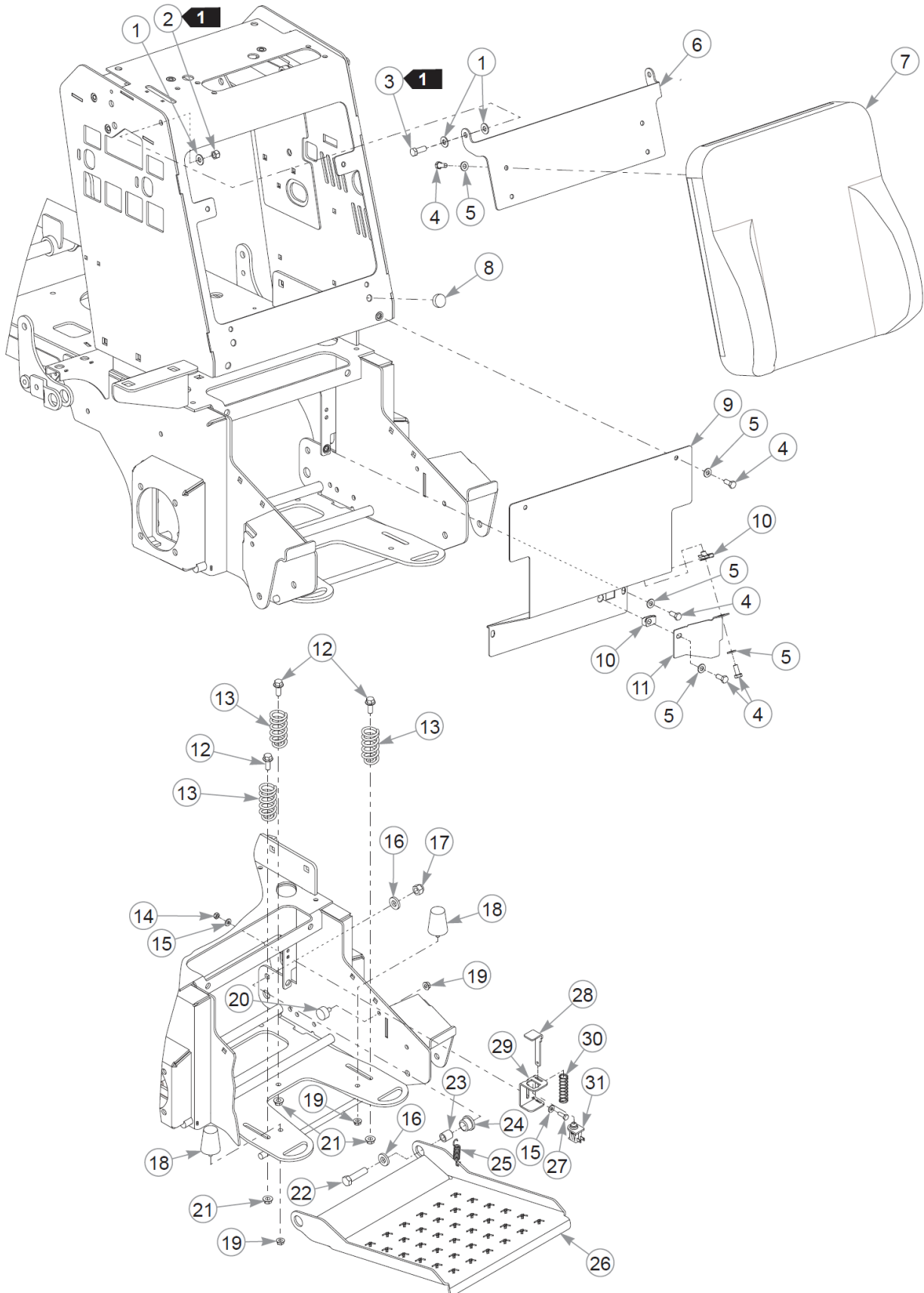




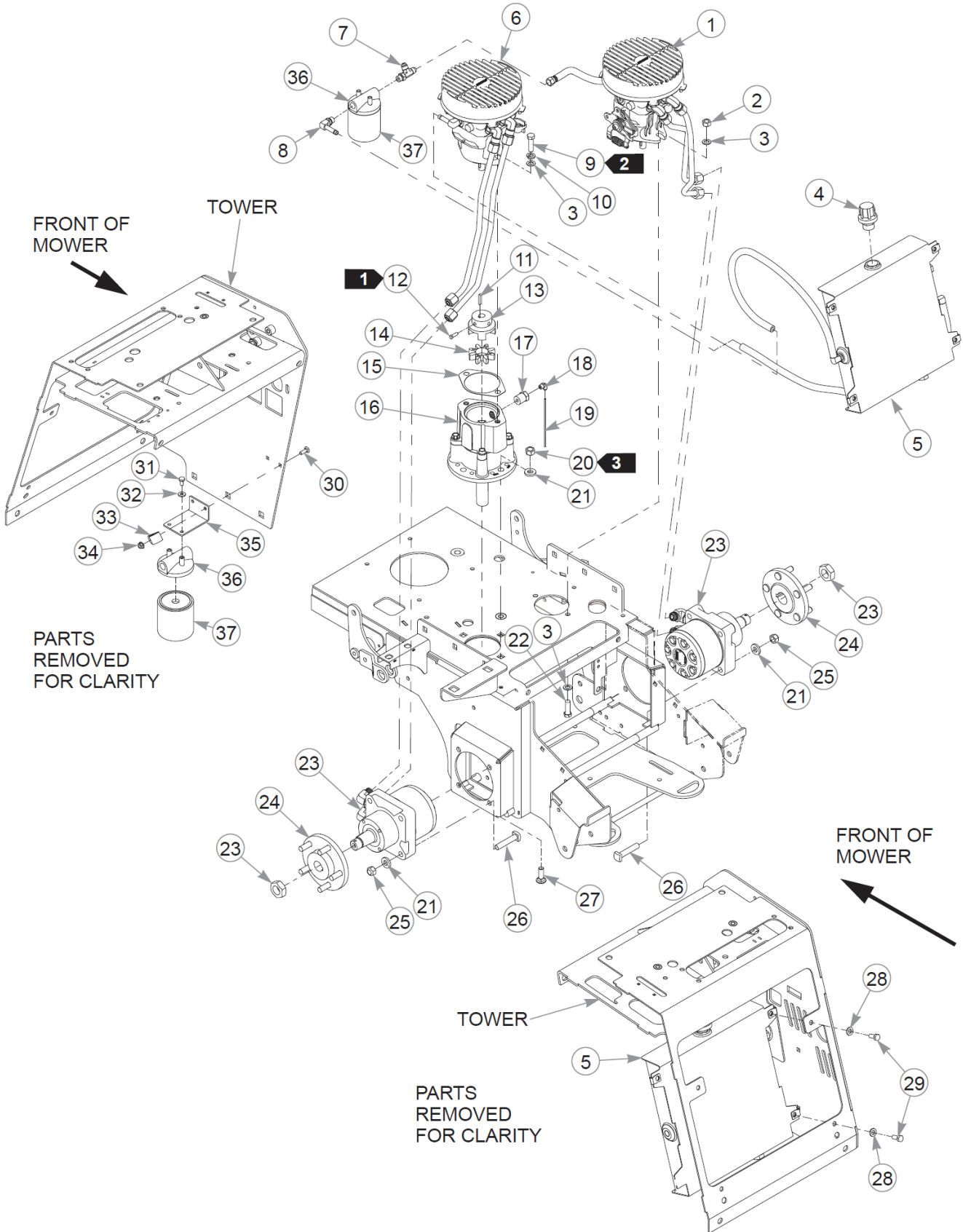
Item	Part No.	Qty	Name
1	767954	6	FW 0.379X.82X.06 HD ZN
2	086660	2	NT .375-16NLG8
3	036244	2	CS .375-16X1.00 HX G5 ZN
4	034280	10	CS .312-18X0.750HXG5
5	768523	10	FW 0.343SAE
6	122580	1	PAD MOUNT
7	607168	1	OPERATOR PAD, W/BOLSTERS
8	781880	2	BUMPER, .500x 1.00x .31
9	122663	1	DIVERTER SHIELD
10	601069	2	CN .312-18x.200 MAX THK
11	122785	1	SPRING SHIELD
12	029751	3	CS .375-16X1.00 HXF G5ZN
13	606286	3	SPRING
14	068551	2	NT .250-20 HXZY NL
15	768515	2	FW 0.281SAE
16	767962	4	FW .531 x 1.063 x .175
17	781567	2	NT .500-13NLG5
18	606845	2	BUMPER, CONICAL 2.00
19	016832	4	NT .312-18FLKG5
20	605960	2	ISOLATOR, 1.00" DIA
21	016899	3	NT .375-16 FLKG5
22	078949	2	CS .500-13X2.000 FUL HX
23	122241	2	FLOOR PAN PIVOT
24	781153	2	BUSHING, UHMW
25	034652	1	SPRING 2.5
26	122082	1	FLOOR PAN
27	601503	2	CB .250-20 X .625 ZN
28	122625	1	OPC PLUNGER BRKT
29	122626	1	OPC SWITCH MOUNT
30	601580	1	COMPRESSION SPRING
31	606262	1	SWITCH, N.O. PLUNGER

Comments for Page: Foot Platform & Tower Pad - S/N 18120890 & Higher

1. Tighten the hardware so that the operator pad will pivot, but hold its position when lifted.



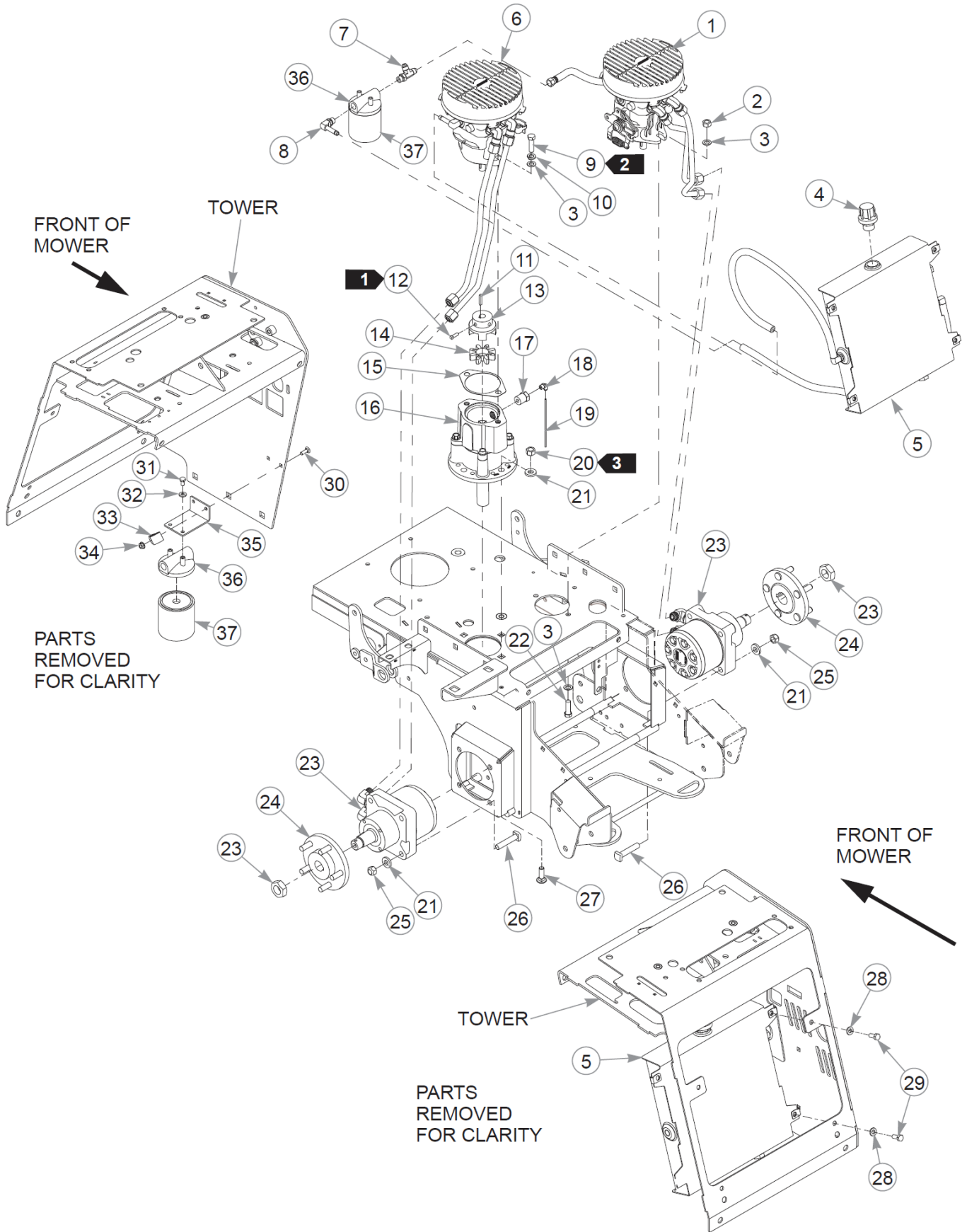
Item	Part No.	Qty	Name
1	767954	6	FW 0.379X.82X.06 HD ZN
2	086660	2	NT .375-16NLG8
3	036244	2	CS .375-16X1.00 HX G5 ZN
4	034280	10	CS .312-18X0.750HXG5
5	768523	10	FW 0.343SAE
6	122580	1	PAD MOUNT
7	607168	1	OPERATOR PAD, W/BOLSTERS
8	781880	2	BUMPER, .500x 1.00x .31
9	122663	1	DIVERTER SHIELD
10	601069	2	CN .312-18x.200 MAX THK
11	122785	1	SPRING SHIELD
12	029751	3	CS .375-16X1.00 HXF G5ZN
13	606286	3	SPRING
14	068551	2	NT .250-20 HXZY NL
15	768515	4	FW 0.281SAE
16	767962	4	FW .531 x 1.063 x .175
17	781567	2	NT .500-13NLG5
18	606845	2	BUMPER, CONICAL 2.00
19	016832	4	NT .312-18FLKG5
20	605960	2	ISOLATOR, 1.00" DIA
21	016899	3	NT .375-16 FLKG5
22	078949	2	CS .500-13X2.000 FUL HX
23	122241	2	FLOOR PAN PIVOT
24	781153	2	BUSHING, UHMW
25	034652	1	SPRING 2.5
26	122082	1	FLOOR PAN
27	055939	2	CS .250-20X0.75 HX G5 ZN
28	122625	1	OPC PLUNGER BRKT
29	122626	1	OPC SWITCH MOUNT
30	601580	1	COMPRESSION SPRING
31	606262	1	SWITCH, N.O. PLUNGER



# Hydraulic System

Item	Part No.	Qty	Name
1		1	REFER TO "RIGHT PUMP ASSEMBLY BREAKDOWN"
2	041707	2	NT .437-14HXG5
3	704742	6	FW 0.453X.81X.06 ZN
4	606198	1	OIL RES BREATHER
5		1	REFER TO "RESERVOIR ASSEMBLY BREAKDOWN"
6		1	REFER TO "LEFT PUMP ASSEMBLY BREAKDOWN"
7	763953	1	FTG T,-6 O-RING/-6J
8	787465	1	FTG, 90°-6MORB/-6BT
9	606200	2	CS .437-20X1.50 HXG5
10	606176	2	LW .437 MED ZC
11	768127	1	KEY 5mm x30mm RADIUS EN
12	606263	2	SS .250-20 X .750 SQ
13	606184	1	PUMPSIDE COUPLING
14	605980	1	LH100 SPIDER 92A YELLOW
15	606266	1	JACKSHAFT GASKET
16	606183	1	JACKSHAFT ASSEMBLY
17	606327	1	FTG, 1/2X1/8 PTR-S VIBRA
18	606267	1	FTG, W369PLP-2-2 NPT
19	606353	1	NYLON TUBE, 1/8"
20	008193	4	NT .500-13HXG5
21	767962	12	FW .531 x 1.063 x .175
22	705186	2	CS .437-14X1.375HXG5
23		2	REFER TO "MOTOR ASSEMBLY BREAKDOWN"
24	773002	2	HUB, 5-BOLT REAR 4WD
25	023317	8	NT .500-13UNTG8
26	602256	8	CS .500-13X2.500 SQ G5
27	028274	4	CB .500-13X 1.500 FULL
28	768523	4	FW 0.343SAE
29	034280	4	CS .312-18X0.750HXG5
30	794784	2	CB .250-20 X .75 FUL ZN
31	055947	2	CS .250-20X0.50 HX G5 ZN
32	768515	2	FW 0.281SAE
33	043570	1	CLIP - HOSE - SINGLE(FS)
34	016816	2	NT .250-20FLKG5
35	122481	1	BRACKET, OIL FILTER
36	768333	1	FILTER HEAD ZINGA BF SE

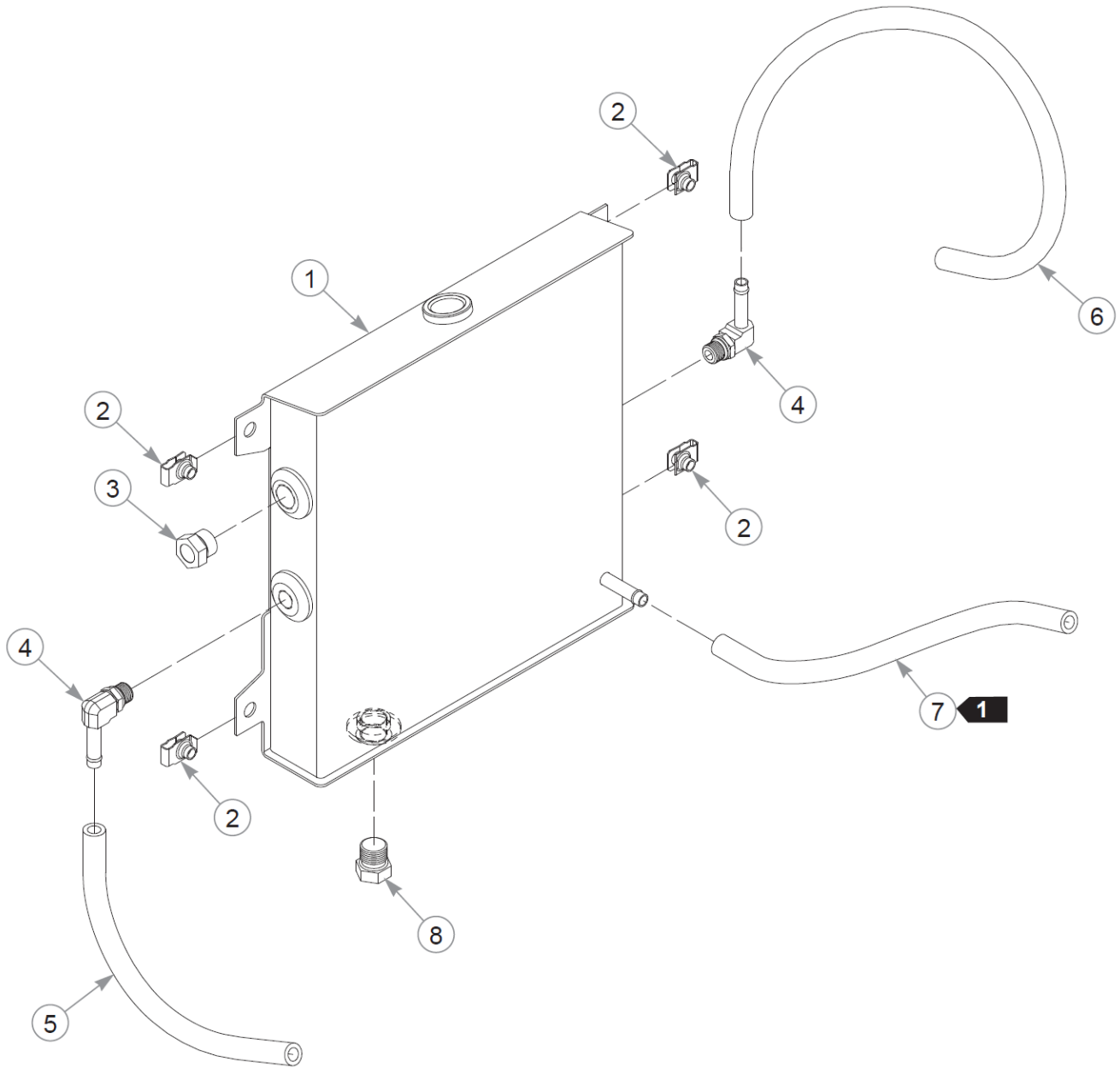
# Hydraulic System



## Hydraulic System

Item	Part No.	Qty	Name
37	768341	1	HYDRAULIC OIL FILTER

Reservoir Assembly Breakdown





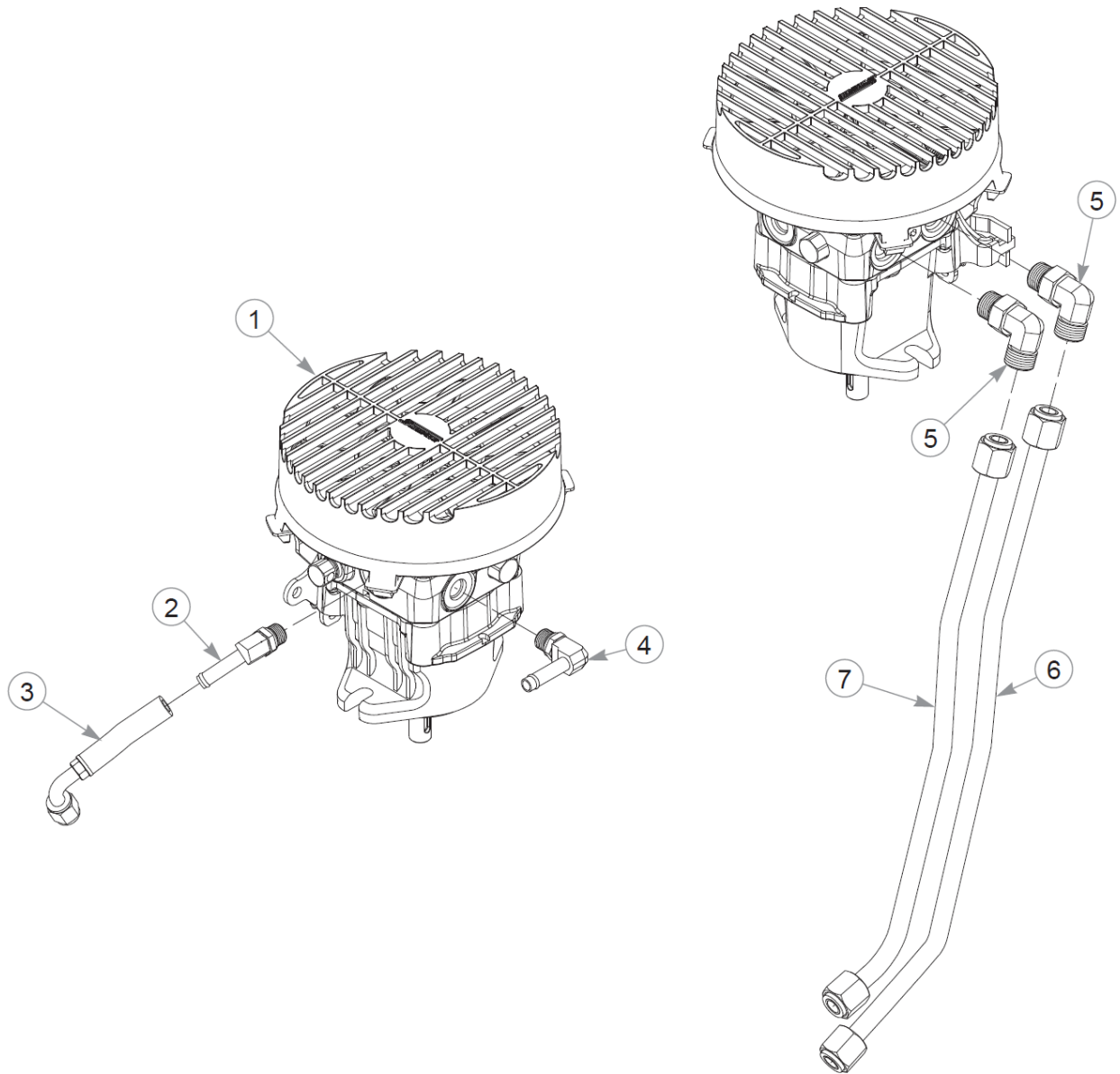
## Reservoir Assembly Breakdown

Item	Part No.	Qty	Name
1	606238	1	RESERVOIR W/A
2	601069	4	CN .312-18x.200 MAX THK
3	606249	1	FTG, SIGHT GLASS
4	787465	2	FTG, 90°-6MORB/-6BT
5	606109	1	RH PUMP RETURN HOSE
6	606108	1	LH PUMP RETURN HOSE
7	606110	1	MAIN SUCTION HOSE
8	781658	1	FTG, -8MORB/HEX PLUG

Comments for Page: Reservoir Assembly Breakdown

1. The hose (606110) comes with an AS-B protective sleeve.

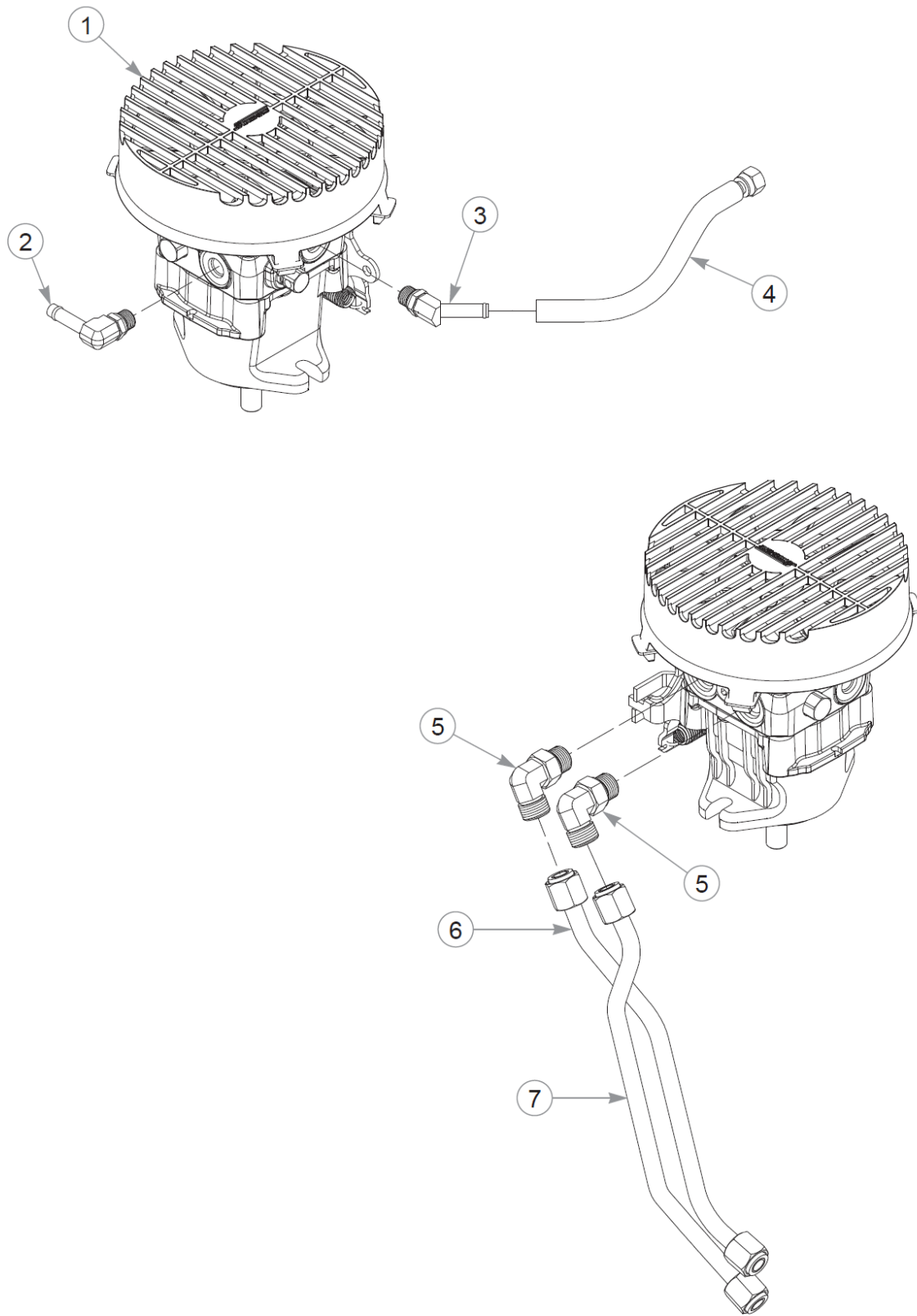
# Left Pump Assembly Breakdown



## Left Pump Assembly Breakdown

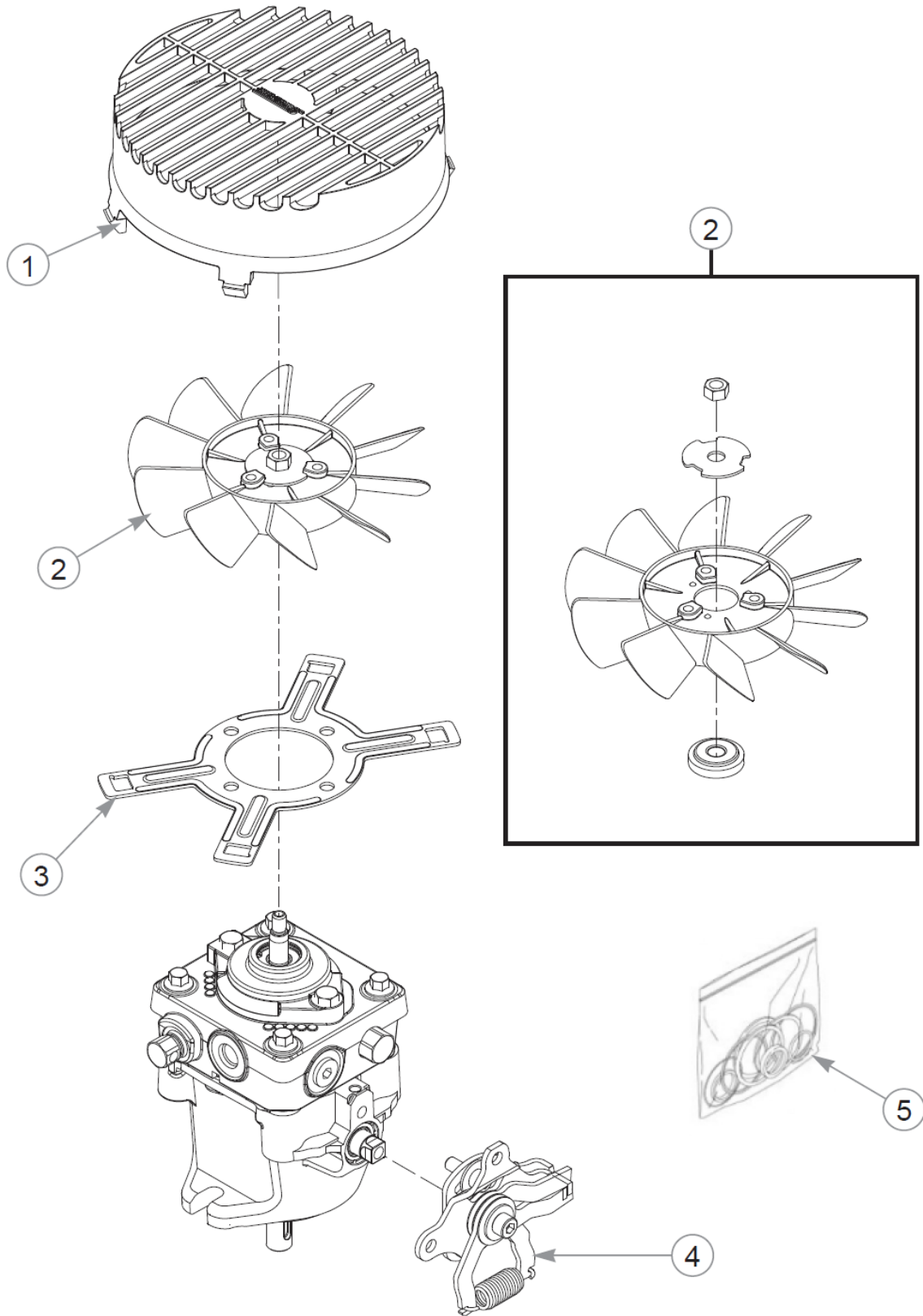
Item	Part No.	Qty	Name
1	605259	1	PUMP, HG 10cc W/ FAN -HH
2	784108	1	FTG, 45°-6MORB/-6BT
3	606111	1	LH PUMP SUCTION HOSE
4	787465	1	FTG, 90°-6MORB/-6BT
5	781542	2	FTG, 90°-8MORB/-8MORFS
6	606272	1	TUBE, RP-BM LH LOOP
7	606271	1	TUBE, LP-TM LH LOOP

# Right Pump Assembly Breakdown



## Right Pump Assembly Breakdown

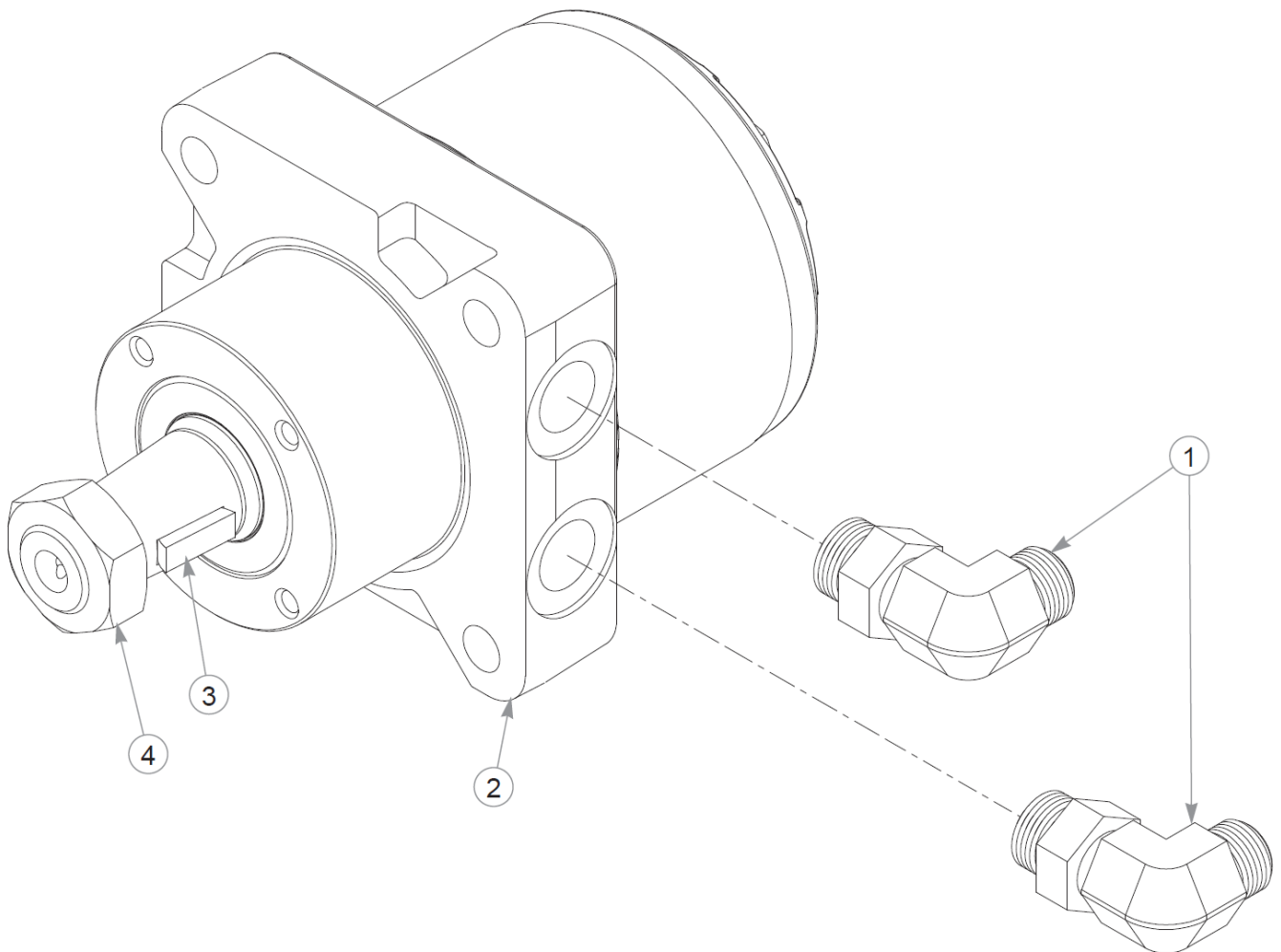
Item	Part No.	Qty	Name
1	605260	1	PUMP, HG 10cc W/FAN-HH
2	787465	1	FTG, 90°-6MORB/-6BT
3	784108	1	FTG, 45°-6MORB/-6BT
4	606112	1	RH PUMP SUCTION HOSE
5	781542	2	FTG, 90°-8MORB/-8MORFS
6	606270	1	TUBE, LP-TM RH LOOP
7	606269	1	TUBE, RP-BM RH LOOP



## Hydraulic Pump Service Parts

Item	Part No.	Qty	Name
1	606348	1	FAN SHROUD, 7"
2	606347	1	FAN KIT, 7"
3	606349	1	FAN MOUNT
4	606350	1	KIT, RTN, STD SCISSOR
5	780718	1	SEAL KIT, PG/PJ PUMPS

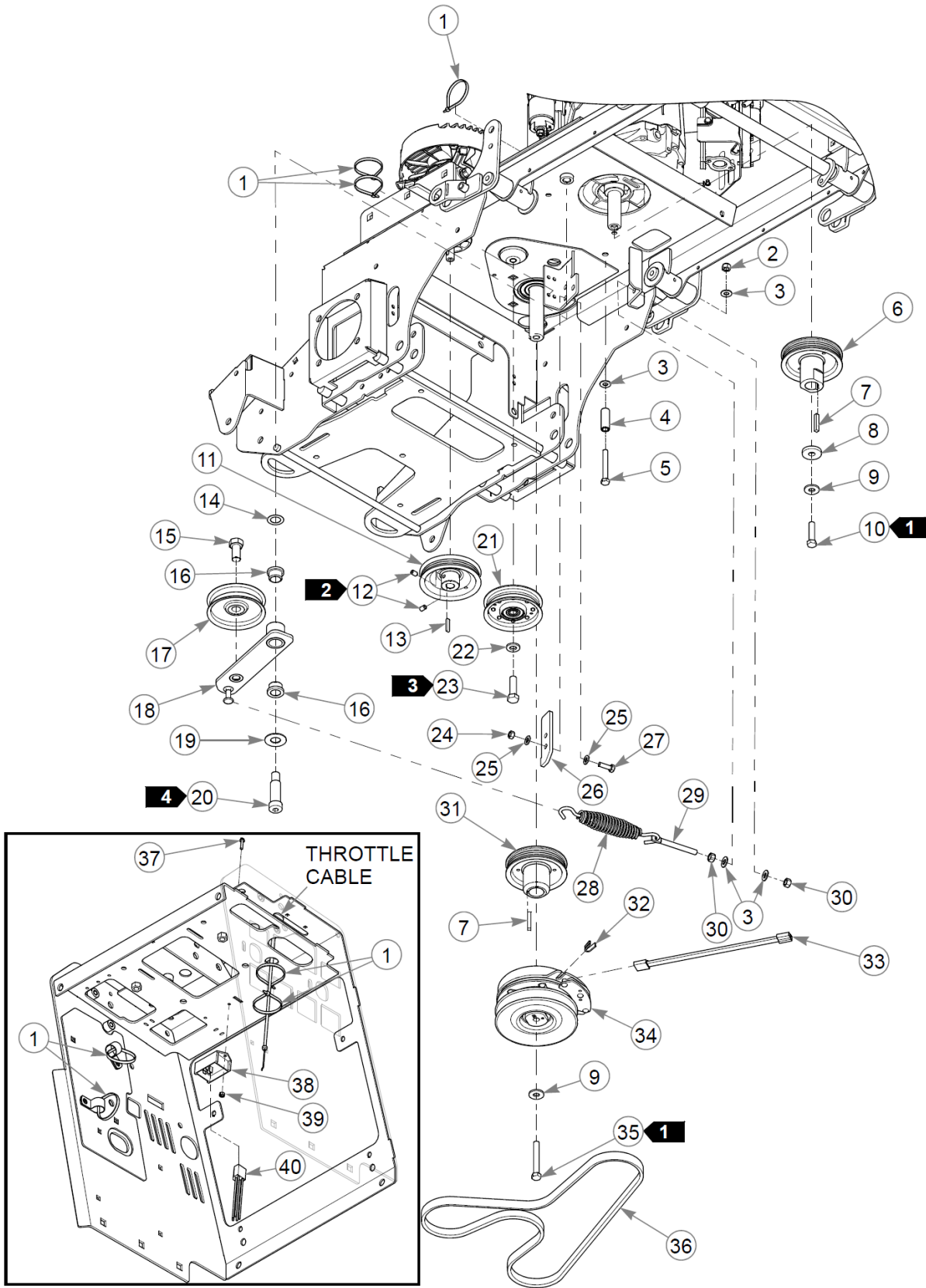
Wheel Motor Breakdown





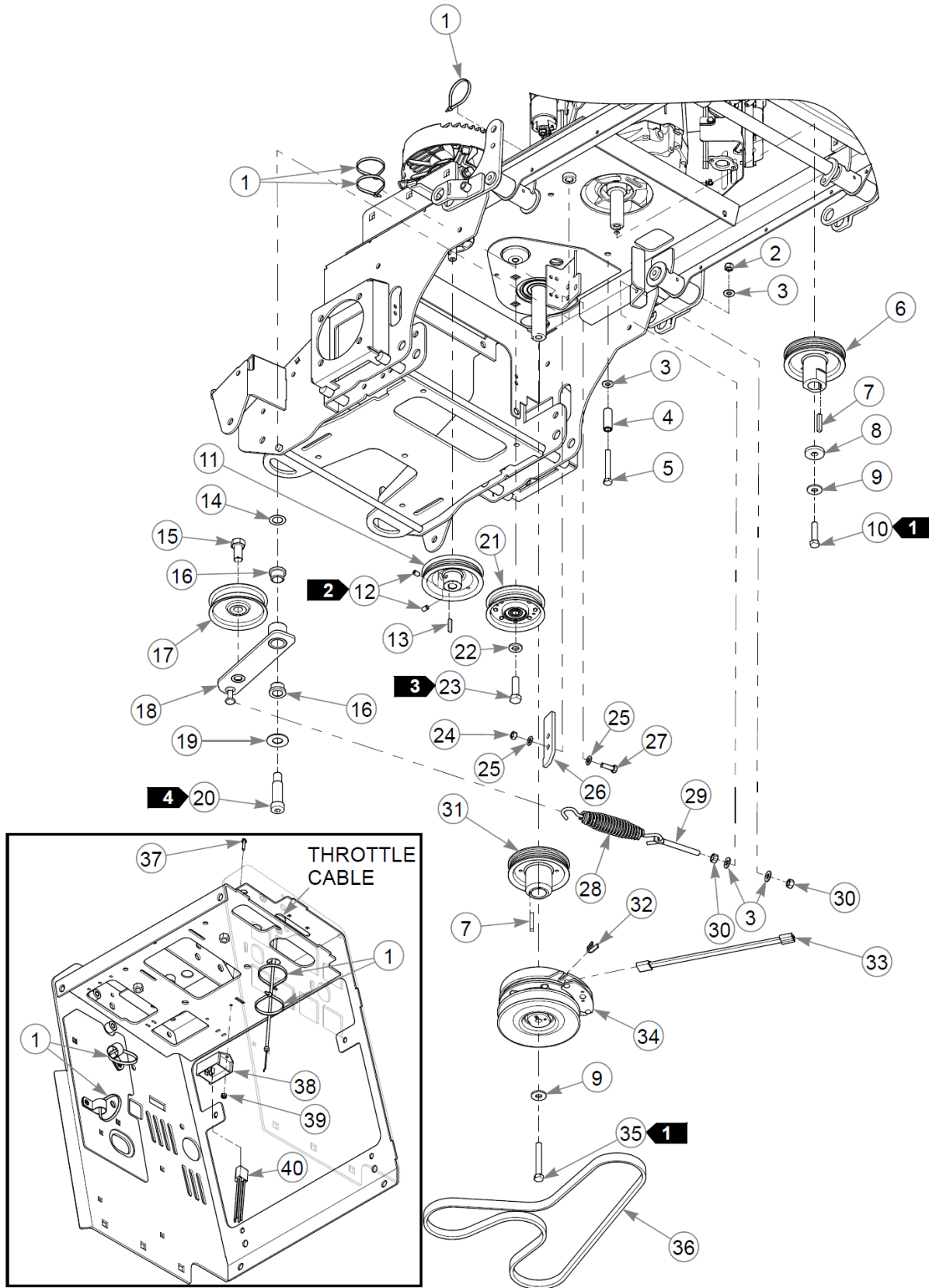
## Wheel Motor Breakdown

Item	Part No.	Qty	Name
1	781526	2	FTG, 90°-10MORB/-8MORFS
2	606201	1	MOTOR, TL0195 - HH
Not Shown	605266	1	MOTOR, PARKER TL0240 -HH
3	064337	1	ROSS WOODRUFF KEY
4	065516	1	ROSS NUT



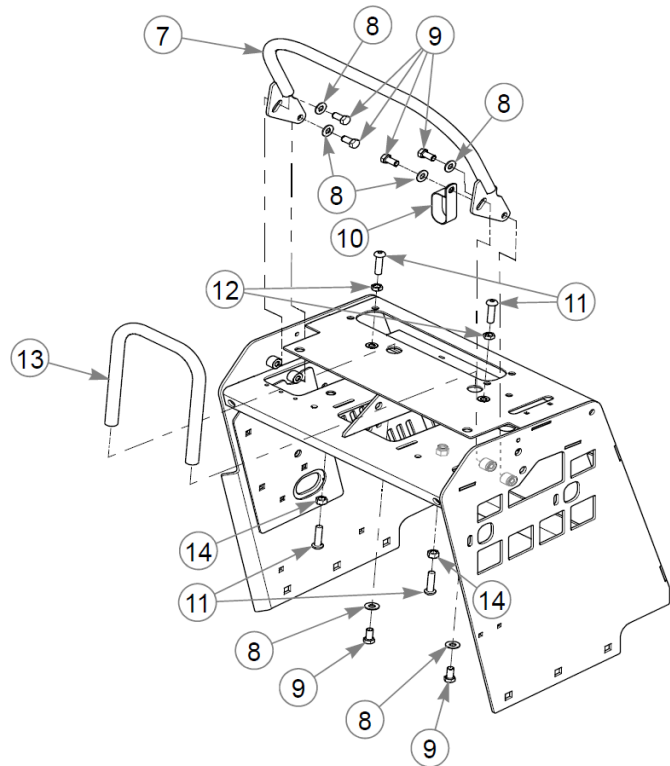
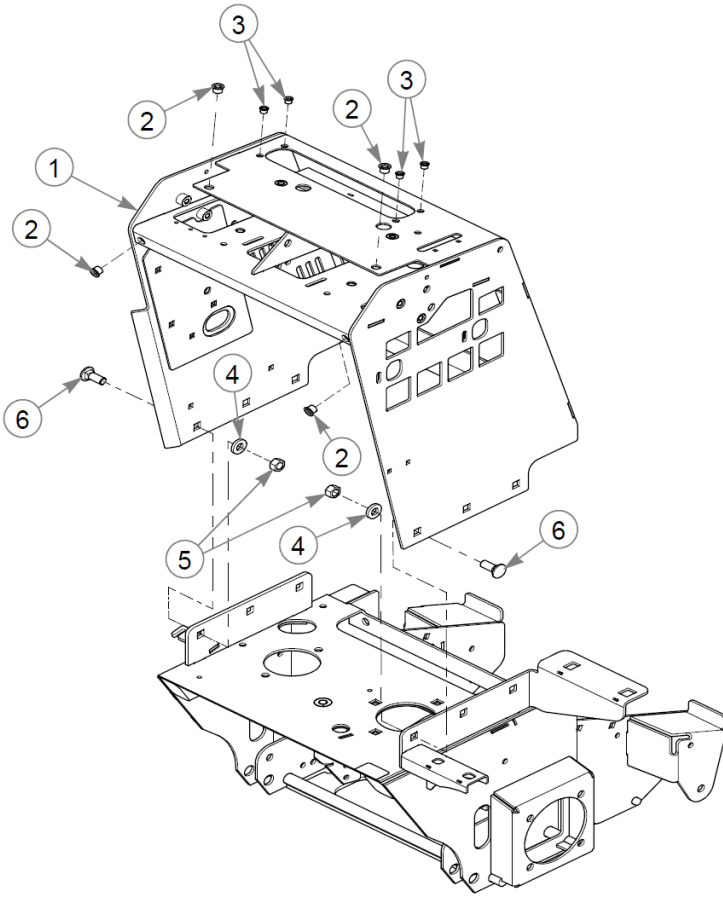
# Pump Drive

Item	Part No.	Qty	Name
1	000331	7	WIRE TIE, SMALL/SHORT
2	086660	1	NT .375-16NLG8
3	767954	4	FW 0.379X.82X.06 HD ZN
4	604290	1	SPACER, CYLINDER
5	705731	1	CS .375-16X2.750G5
6	606162	1	PULLEY, 4.50" OP MICRO V
7	212076	2	KEY 1/4 SQ X 1.50 LG(FS)
8	606259	1	FW .485X1.46X.25 ZY
9	602680	2	FW .453X1.12X.12 HRD ZN
10	606175	1	CS .437-20X1.75 HXG5 P85
11	606164	1	PULLEY, 4.50" OP MICRO V
12	606260	2	SS .312-18 X .500 SH
13	768127	1	KEY 5mm x30mm RADIUS EN
14	704791	1	FW .781X1.25X.02 ZN
15	781872	1	CS .625-11X1.250HXG5
16	781153	2	BUSHING, UHMW
17	601488	1	PULLEY, 4" FLAT IDLER
18	122528	1	IDLER ARM, W/A
19	025296	1	FW .760X1.63X0.08 ZN
20	601084	1	SB .750X 2.000 SH.625-11
21	606066	1	PULLEY, 4" FLAT IDLER
22	606256	1	FW .515X1.00X.13 ZN
23	017616	1	CS .500-13X1.750HXG5
24	034272	2	NT .312-18HXG5
25	768523	4	FW 0.343SAE
26	606435	1	CLUTCH ANCHOR
27	036236	2	CS .312-18X1.000HXG5
28	606380	1	SPRING, EXT INS HOOK
29	601486	1	EB, .375-16X3.00 FULTHD
30	054502	2	NT .375-16HXG5
31	606163	1	PULLEY, 4.50" OP MICRO V
32	605595	1	BUSHING, CLUTCH
33	606430	1	HARNESS, CLUTCH PIGTAIL
34	606188K	1	CLUTCH KIT, 606188
35	785048	1	CS .437-20X3.00 HXG5 P85
36	606372	1	DRIVE BELT



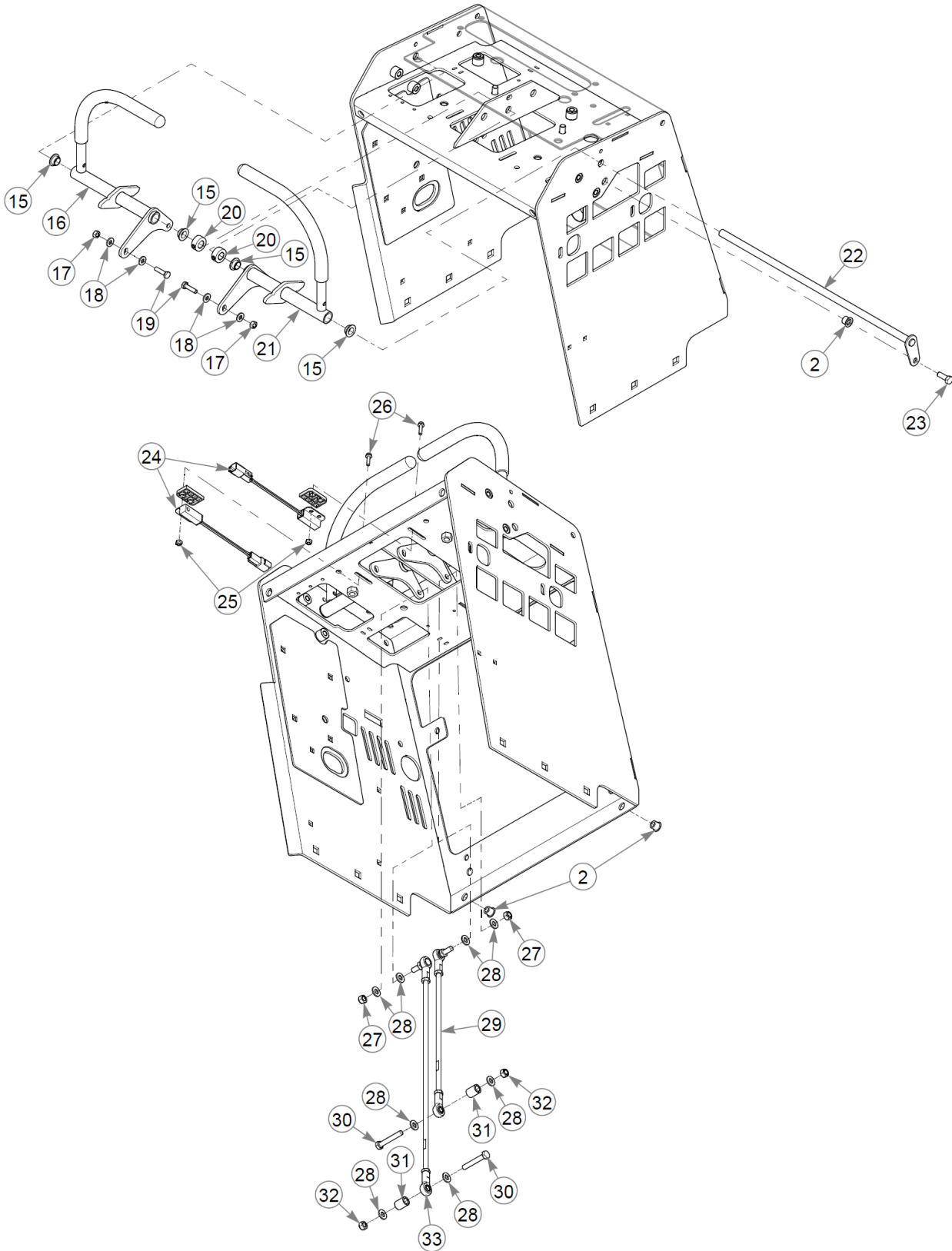
## Pump Drive

Item	Part No.	Qty	Name
37	606429	2	MS #8-32X.750 HX WH
38	606420	1	SOFT START MODULE
39	605208	2	NT #8-32 HX G2 NL ZN
40	606419	1	SOFT START PIGTAIL
41	606443	1	WIRE TIE, V. SMALL/V. SH



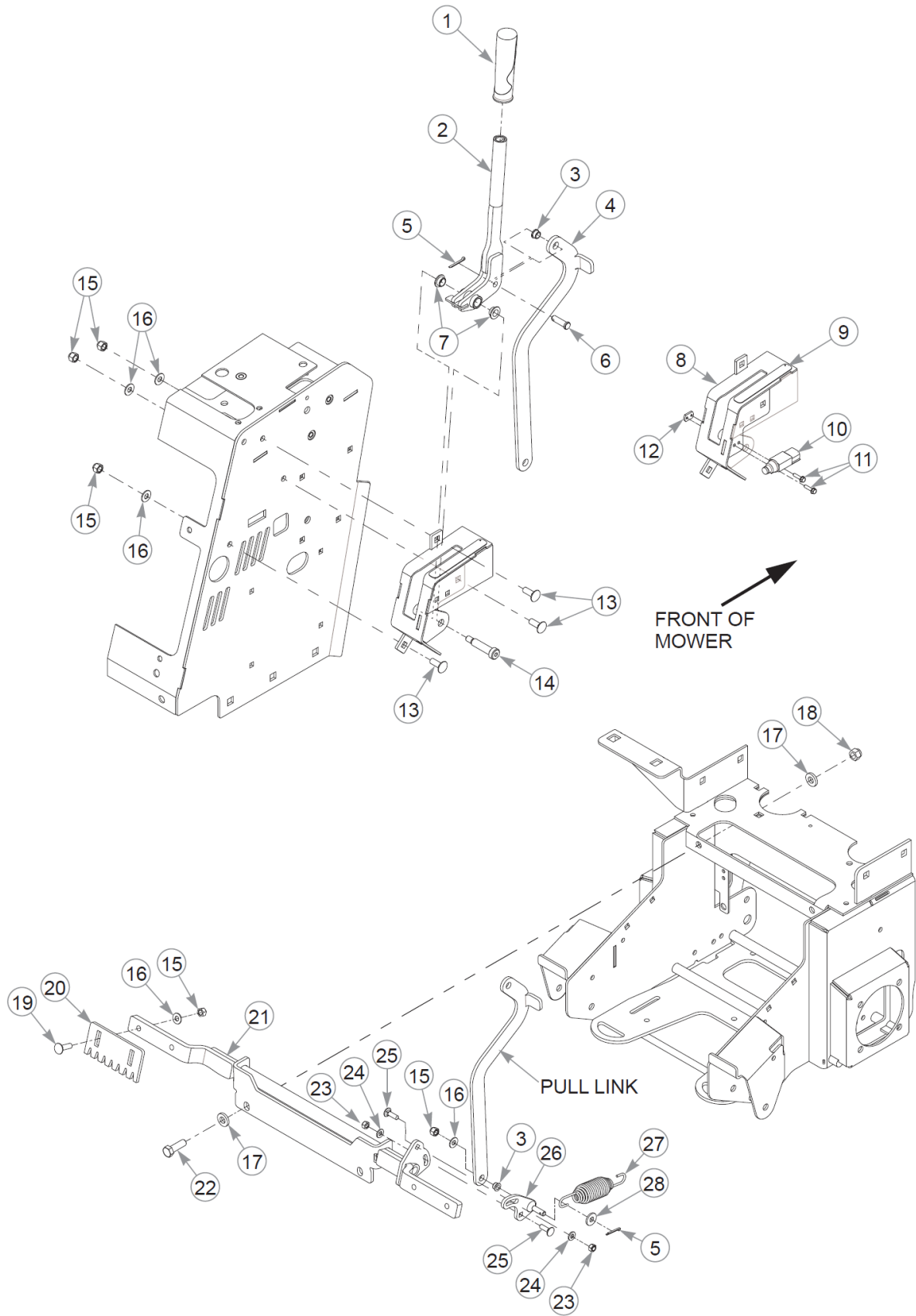
## Steering (Multi-Page)

Item	Part No.	Qty	Name
1	122593	1	W/A CONTROL TOWER
2	808485	7	RIVET NUT, 5/16-18 THRE
3	808477	4	RIVET NUT, 1/4-20 THREA
4	767962	6	FW .531 x 1.063 x .175
5	008193	6	NT .500-13HXG5
6	605869	6	CB 0.500-13 X 1.250 G5
7	120249	1	STOP-FWD W/A
8	767954	6	FW 0.379X.82X.06 HD ZN
9	055822	6	CS .375-16X0.75 HX G5 ZN
10	045088	1	HOSE CLAMP 1" (FS)
11	604816	4	CS .375-16X1.5 BH ZN
12	706168	2	NT .375-16JAMG5
13	120252	1	STOP-REAR W/A
14	054502	2	NT .375-16HXG5
15	768259	4	BUSHING,IGUS#0810 (FS)
16	606369	1	STEER LEVER W/ GRIP
Not Shown	605961	1	GRIP, STEER LEVER
17	024927	2	NT .250-20HXG5
18	768515	4	FW 0.281SAE
19	056077	2	CS .250-20X1.000HXG5
20	788554	2	LOCK COLLAR, .500x1.000
21	606368	1	STEER LEVER W/ GRIP
Not Shown	605961	1	GRIP, STEER LEVER
22	121930	1	W/A, STEERING PIVOT
23	064014	1	CS .312-18X0.875HXG5
24	605325	2	SWITCH, PROX
25	059832	4	NT #10-24 HX NL ZN
26	063198	4	CS #10-24X0.750FLKG5
27	023655	2	NT 0.312-24 NL G8
28	768523	8	FW 0.343SAE
29	606280	1	PUMP ADJUSTMENT ROD
30	064345	2	CS .312-18X2.000HXG5
31	606285	2	SPACER, .375X.625X.800
32	058776	2	NT .312-18NLG5
33	606281	1	PUMP ADJUSTMENT ROD
34	000331	4	WIRE TIE, SMALL/SHORT





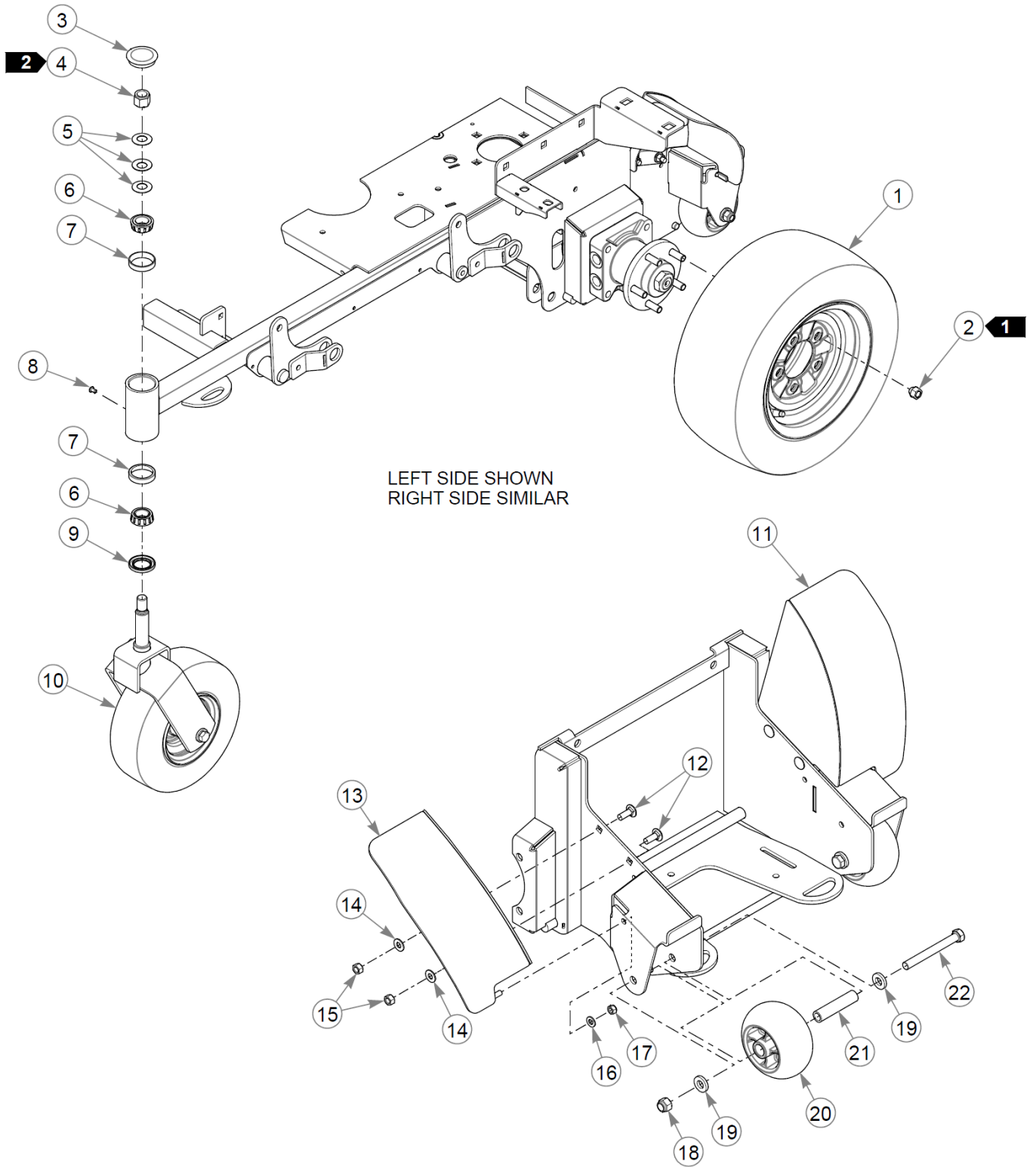
This page intentionally left blank



# Brake

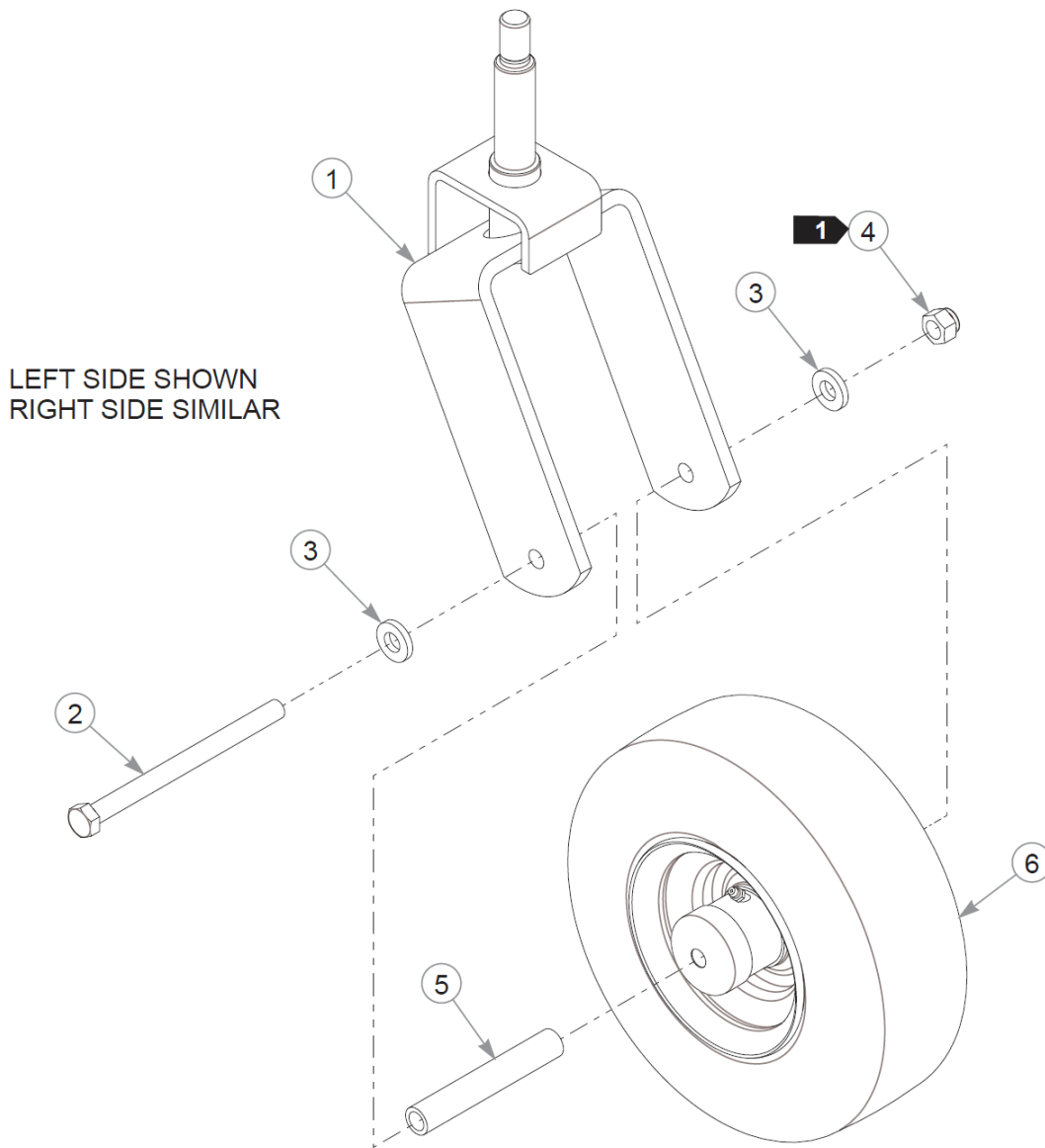
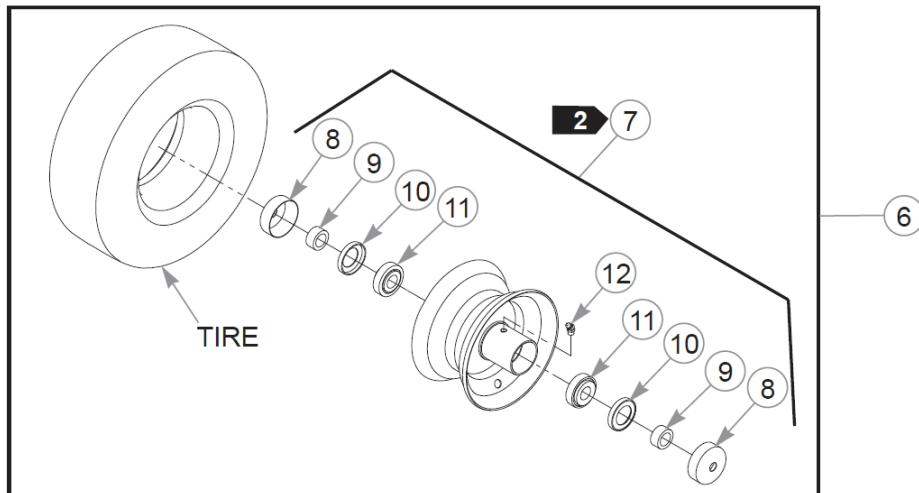
Item	Part No.	Qty	Name
1	606258	1	GRIP, PARK BRAKE
2	123269	1	W/A PARK BRAKE HANDLE
3	765339	2	BUSHING,IGUS#0608 (FS)
4	122662	1	PULL LINK
5	017244	2	CP .125DX1.000 LG HML Z
6	000174	1	CE .375X1.25 .156X1.09
7	768259	2	BUSHING,IGUS#0810 (FS)
8	553516	1	SVC, PARK BRAKE BRKT
9	601906	1	DECAL, PARK BRAKE
10	602538	1	SWITCH PLUNGER, NC/NO
11	063198	2	CS #10-24X0.750FLKG5
12	601822	1	NUT PLATE, .420 CENTERS
13	025395	3	CB .375-16X 1.00 G5 ZN
14	606288	1	SB 0.500 0.500 X 17.50
15	086660	8	NT .375-16NLG8
16	767954	8	FW 0.379X.82X.06 HD ZN
17	767962	4	FW .531 x 1.063 x .175
18	781567	2	NT .500-13NLG5
19	603113	4	CB .375-16X1.250 G5 ZN
20	606299	2	TEETH PLT PARK BRAKE
21	606345	1	W/A, TREADLOCK
22	074252	2	CS .500-13X1.50 HX G5 ZN
23	058776	2	NT .312-18NLG5
24	768523	2	FW 0.343SAE
25	037887	2	CB .312-18X 1.000 FUL ZN
26	606303	1	BRAKE LINK W/A
27	781302	1	IDLER SPRING
28	712919	1	FW 0.406X1.00X.12 HD ZN

# Wheel & Tire



# Wheel & Tire

Item	Part No.	Qty	Name
1	606328	2	TIR/WHL 18X8.50-10 SLV
2	061077	10	WHEEL NUT
3	606711	2	DUST CAP
4	061101	2	NT .750-10 HX ZN NL GR B
5	606715	6	CW 0.766 X 1.50 X .093
6	606712	4	BEARING, TAPERED ROLLER
7	606713	4	RACE, TAPERE ROLLER
8	606817	2	GREASE PLUG
9	606714	2	SEAL, 1.25 X 1.98
10		2	REFER TO "FRONT WHEEL ASSEMBLY BREAKDOWN"
11	122576	1	FENDER W/A
12	025395	4	CB .375-16X 1.00 G5 ZN
13	122572	1	FENDER W/A
14	767954	4	FW 0.379X.82X.06 HD ZN
15	054502	4	NT .375-16HXG5
16	768523	2	FW 0.343SAE
17	058776	2	NT .312-18NLG5
18	781567	2	NT .500-13NLG5
19	767962	4	FW .531 x 1.063 x .175
20	602263	2	WHEEL, ANTI-SCALP
21	602345	2	SPACER, ANTI-SCALP 3.22
22	068239	2	CS .500-13X4.500HXG5

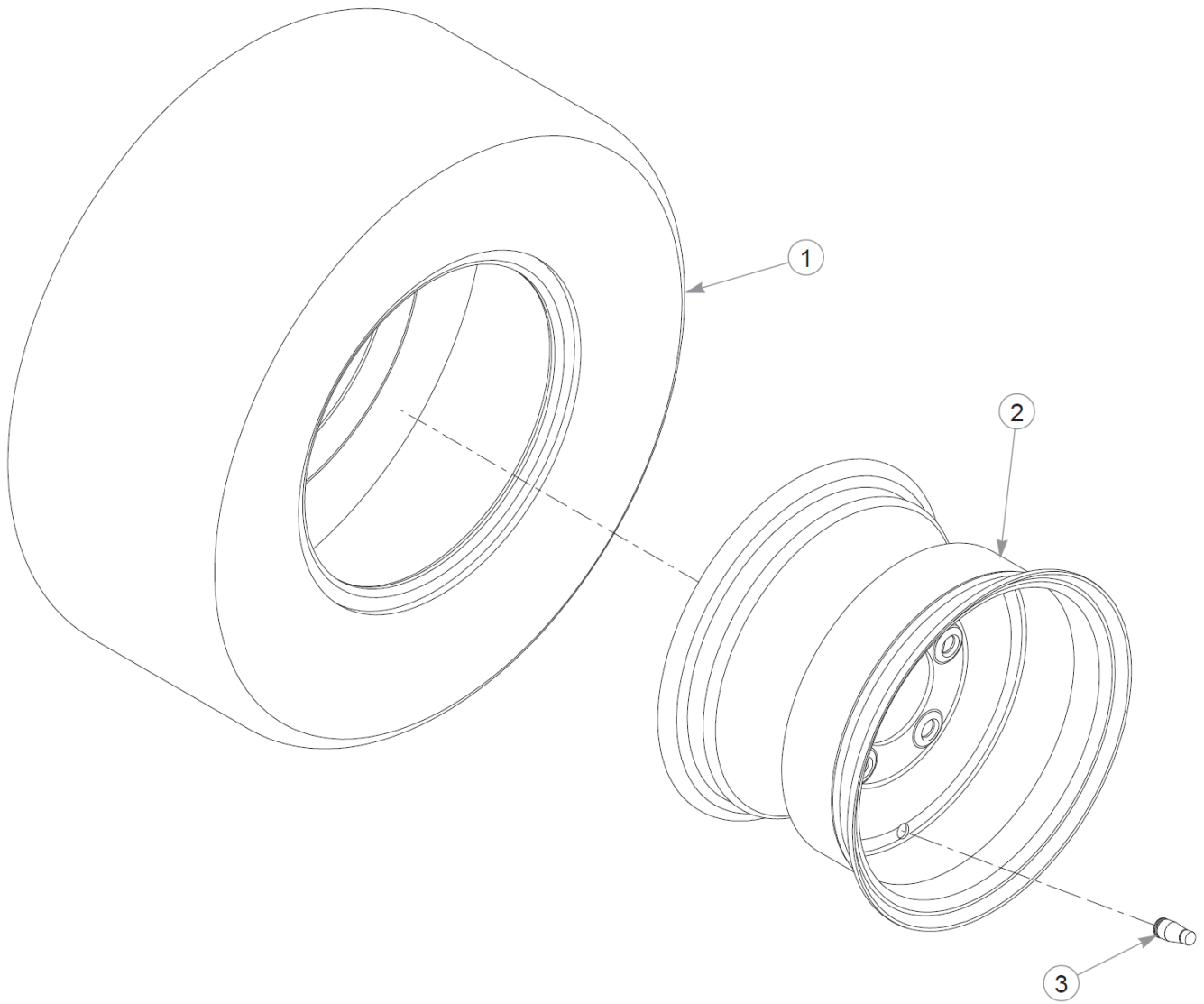


# Front Wheel Assembly Breakdown

Item	Part No.	Qty	Name
1	123648-1	1	W/A, CASTER FORK
2	042630	1	CS .500-13X6.500HXG5
3	767962	2	FW .531 x 1.063 x .175
4	781567	1	NT .500-13NLG5
5	306969	1	GAGE WHEEL SPACER
6	606740	1	TIR/WHL 11X4.00-5 SLV
7	606747	1	WHL 5X3.00 SLV
8	606779	2	DUST CAP, 0.502 ID
9	606778	2	SPACER, 0.531
10	606780	2	SEAL
11	606753	2	BEARING, TAPERED ROLLER
12	606777	1	GREASE FITTING

Comments for Page: Front Wheel Assembly Breakdown

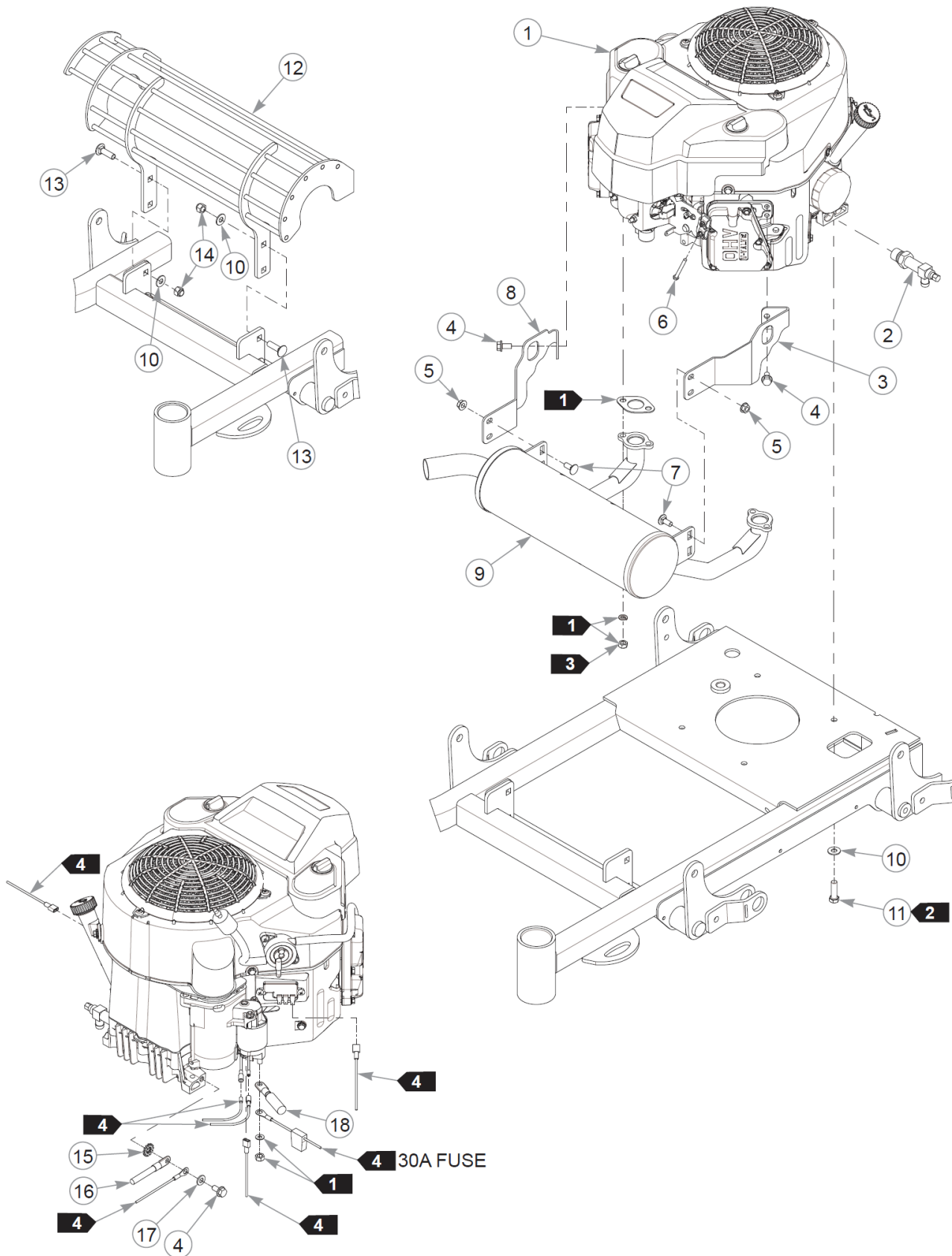
1. Tighten, then back off the nut until the wheel spins freely.
2. Refer to the General Service Manual for wheel bearing service procedures. The wheel assembly (606749) includes items 8-12.





## Drive Wheel Breakdown

Item	Part No.	Qty	Name
1	605847	1	TIR 18X8.50-10 B4R GRMR
2	606329	1	WHL 10X6.00 5X4.5 SLV
3	019521	1	TIRE VALVE TR-412 GOODY

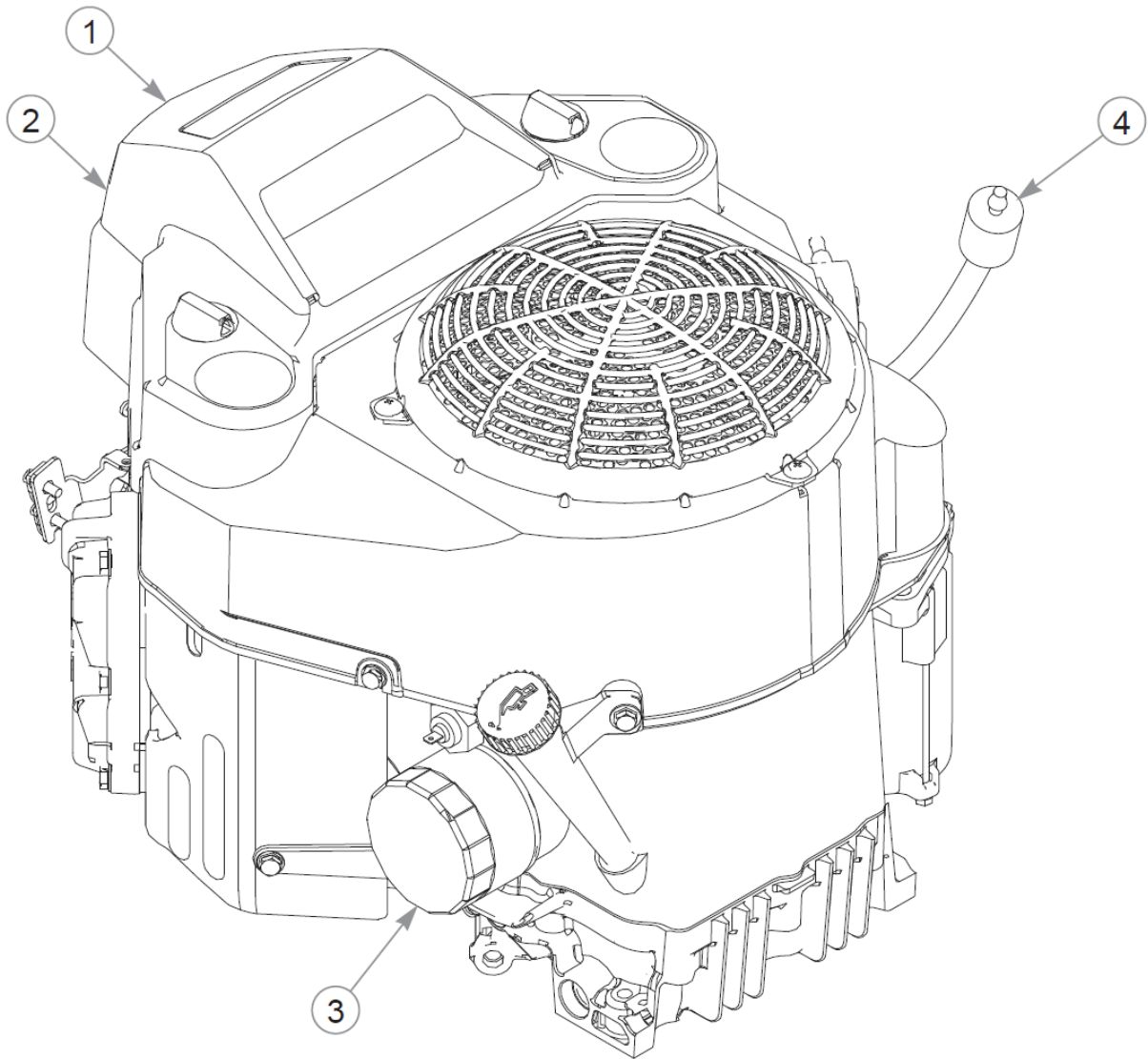


# Engine, Muffler & Muffler Guard

Item	Part No.	Qty	Name
1		1	ENGINE, FS541V
2	796524	1	VALVE,OIL DRAIN M20x2.5
3	122340	1	STAY, MUFFLER
4	720516	5	CS M8-1.25X16HX FL10.9
5	016832	4	NT .312-18FLKG5
6	603524	1	CS M5-0.8 X 50 MM
7	016253	4	CB .312-18X .750 FUL ZN
8	122341	1	STAY, MUFFLER
9	606042	1	MUFFLER, FS541V
10	767954	8	FW 0.379X.82X.06 HD ZN
11	602580	4	CS .375-16X1.25HXG8ZYP85
12	125210-3	1	MUFFLER GUARD
13	603113	4	CB .375-16X1.250 G5 ZN
14	086660	4	NT .375-16NLG8
15	029876	1	LW .312 INTEXT ZN
16	780015	1	BATTERY CABLE, (-) ES W
17	768523	1	FW 0.343SAE
18	602099	1	BATTERY CABLE, POS.

Comments for Page: Engine, Muffler & Muffler Guard

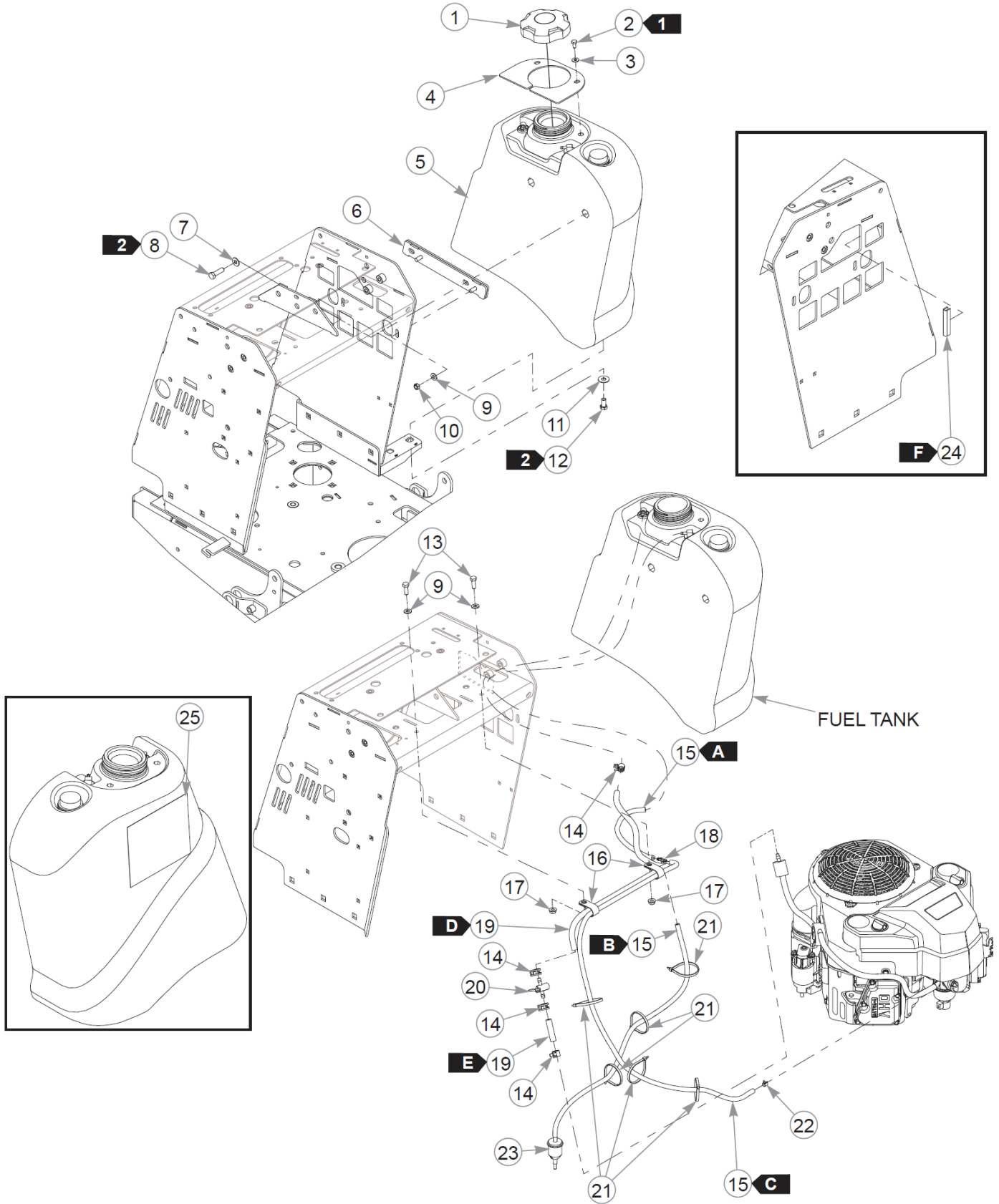
1. Supplied with the engine.
2. Torque to 16 N•m
3. Torque to 23 N•m.
4. Part of the wire harness.



## Engine Service Parts

Item	Part No.	Qty	Name
1	603059	1	AIR FILTER - MAIN
2	603058	1	PRE FILTER, KAW
3	602581	1	ENGINE OIL FILTER
4	068478	1	FUEL FILTER - IN LINE

Fuel System



# Fuel System

Item	Part No.	Qty	Name
1	603807	1	CAP, 3.5" RATCHETING GAS
2	055947	2	CS .250-20X0.50 HX G5 ZN
3	768515	2	FW 0.281SAE
4	122399	1	FUEL TANK COVER PLATE
5	606167	1	FUEL TANK
6	122671	1	TANK SPACER W/A
7	767954	2	FW 0.379X.82X.06 HD ZN
8	052860	2	CS .375-16X1.25 HX G5 ZN
9	768523	4	FW 0.343SAE
10	604251	2	NT .312-18 HXNL JAM G2ZN
11	712919	4	FW 0.406X1.00X.12 HD ZN
12	055822	4	CS .375-16X0.75 HX G5 ZN
13	064014	2	CS .312-18X0.875HXG5
14	000323	4	CLIP, HOSE CLAMP
15	603326	206 cm	VAPOR LINE, 3/16"
<p>Comments for Part Num. 603326</p> <p>Sold by the foot.</p>			
16	043570	2	CLIP - HOSE - SINGLE(FS)
17	016832	2	NT .312-18FLKG5
18	605690	1	TEE, 3/16" PLASTIC
19	015818	74 cm	FUEL LINE, 1/4"
<p>Comments for Part Num. 015818</p> <p>Sold by the foot.</p>			
20	605601	1	FUEL SHUT-OFF VALVE
21	000331	6	WIRE TIE, SMALL/SHORT
22	603112	1	CLAMP, 3/16 FUEL
23	604323	1	FILTER, VAPOR SYSTEM
24	033001	6 cm	FLEXIBLE TRIM UNI-GRIP
25	606052	1	DECAL, TANK

Comments for Page: Fuel System

### FUEL, VAPOR LINE, & TRIM LENGTHS

A: 23 cm TANK TO TEE (VAPOR)

B: 66 cm TEE TO FILTER (VAPOR)

## Fuel System

C: 117 cm TEE TO ENGINE (VAPOR)

D: 69 cm TANK TO VALVE (FUEL)

E: 5 cm VALVE TO FILTER (FUEL)

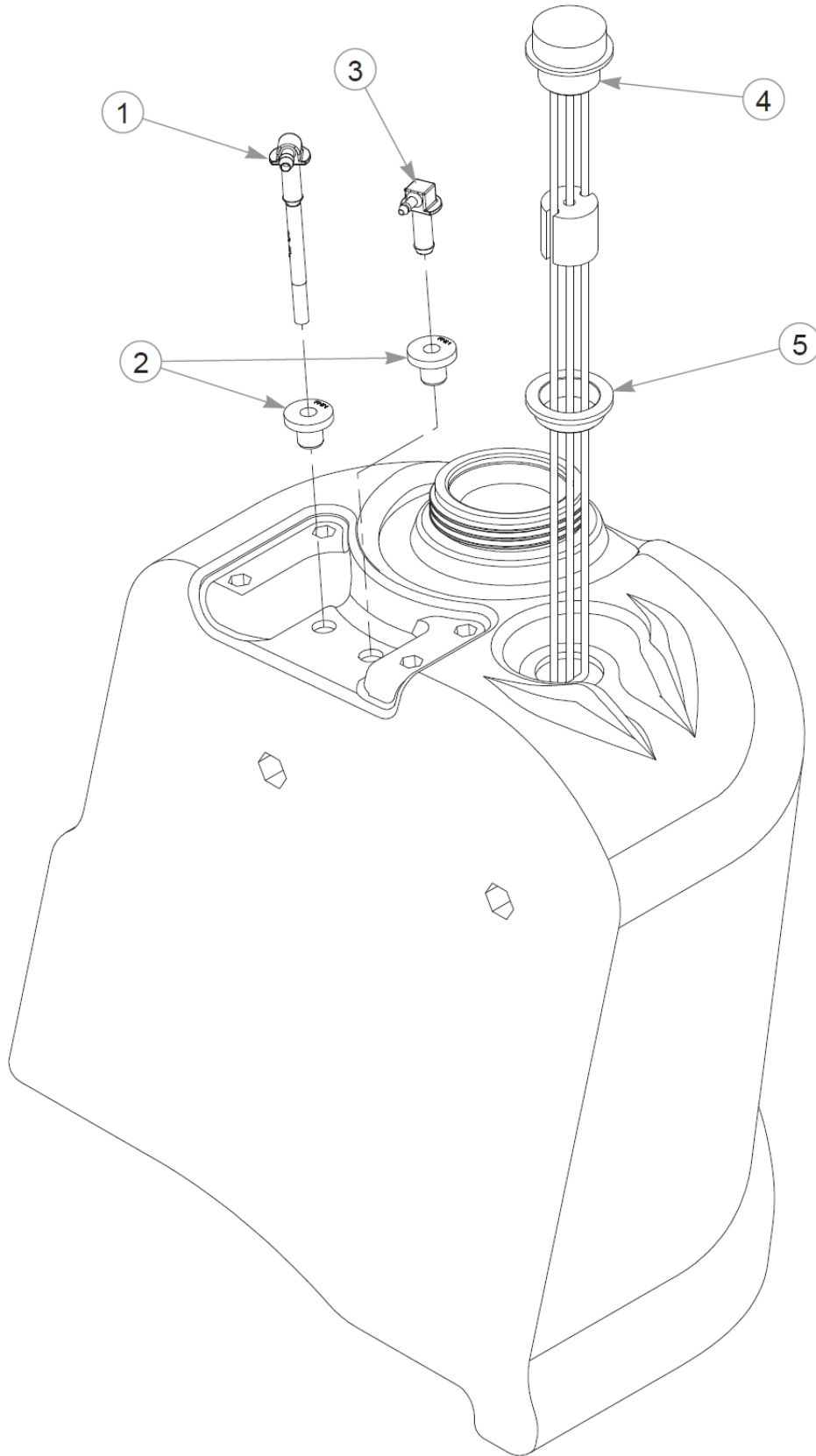
F: 6 cm TRIM

1. Torque to 9 N•m.

2. Torque to 22 N•m.



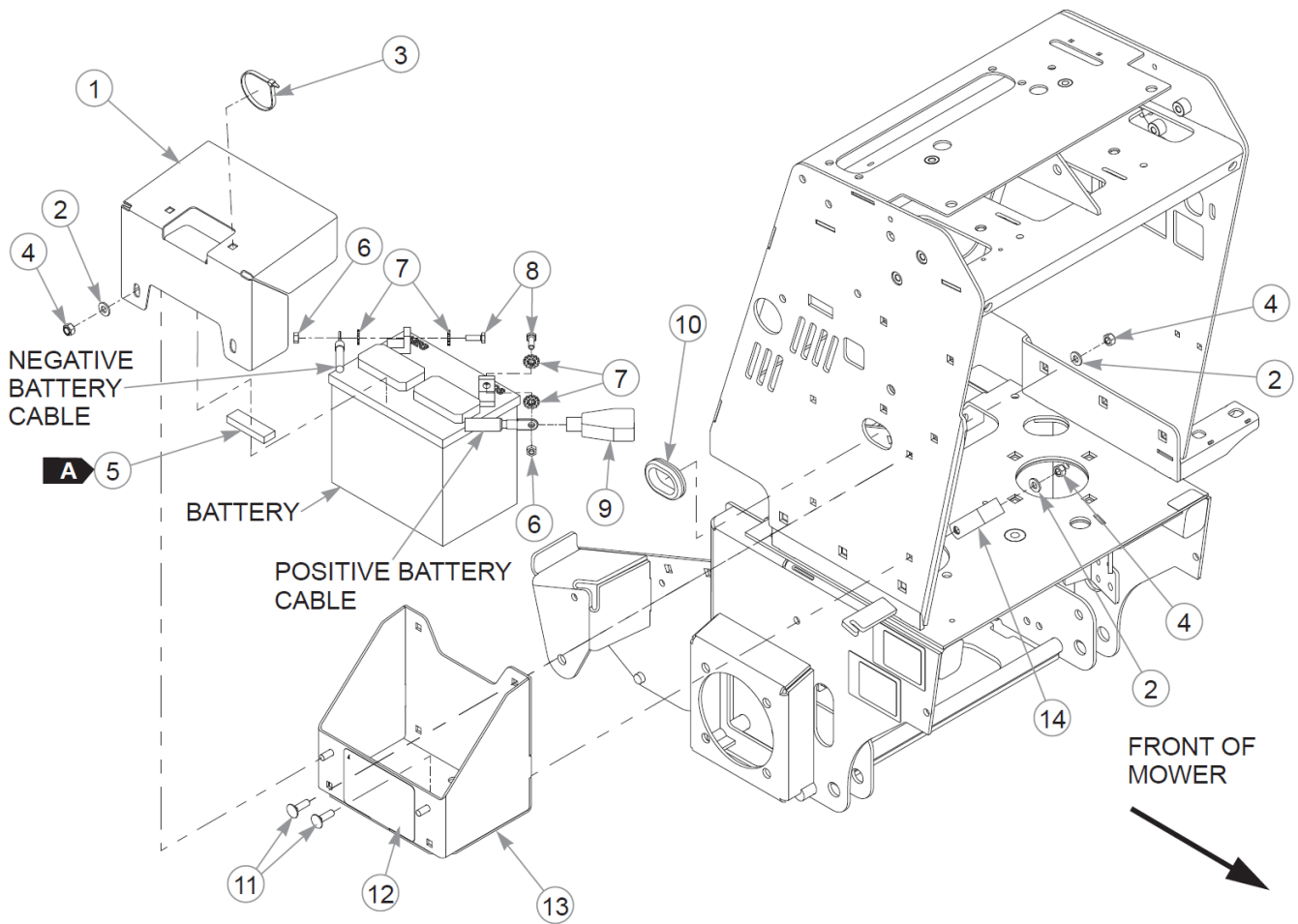
This page intentionally left blank



## Fuel Tank Service Parts

Item	Part No.	Qty	Name
Not Shown	606167	1	FUEL TANK
1	605156K	1	SVC KIT, SUCTION HOSE
2	604200K	2	SVC KIT, GROMMET
3	604287K	1	SVC KIT, VENT FITTING
4	606055K	1	SVC KIT, FUEL GAUGE
5	603838K	1	SVC KIT, TANK GROMMET

# Battery

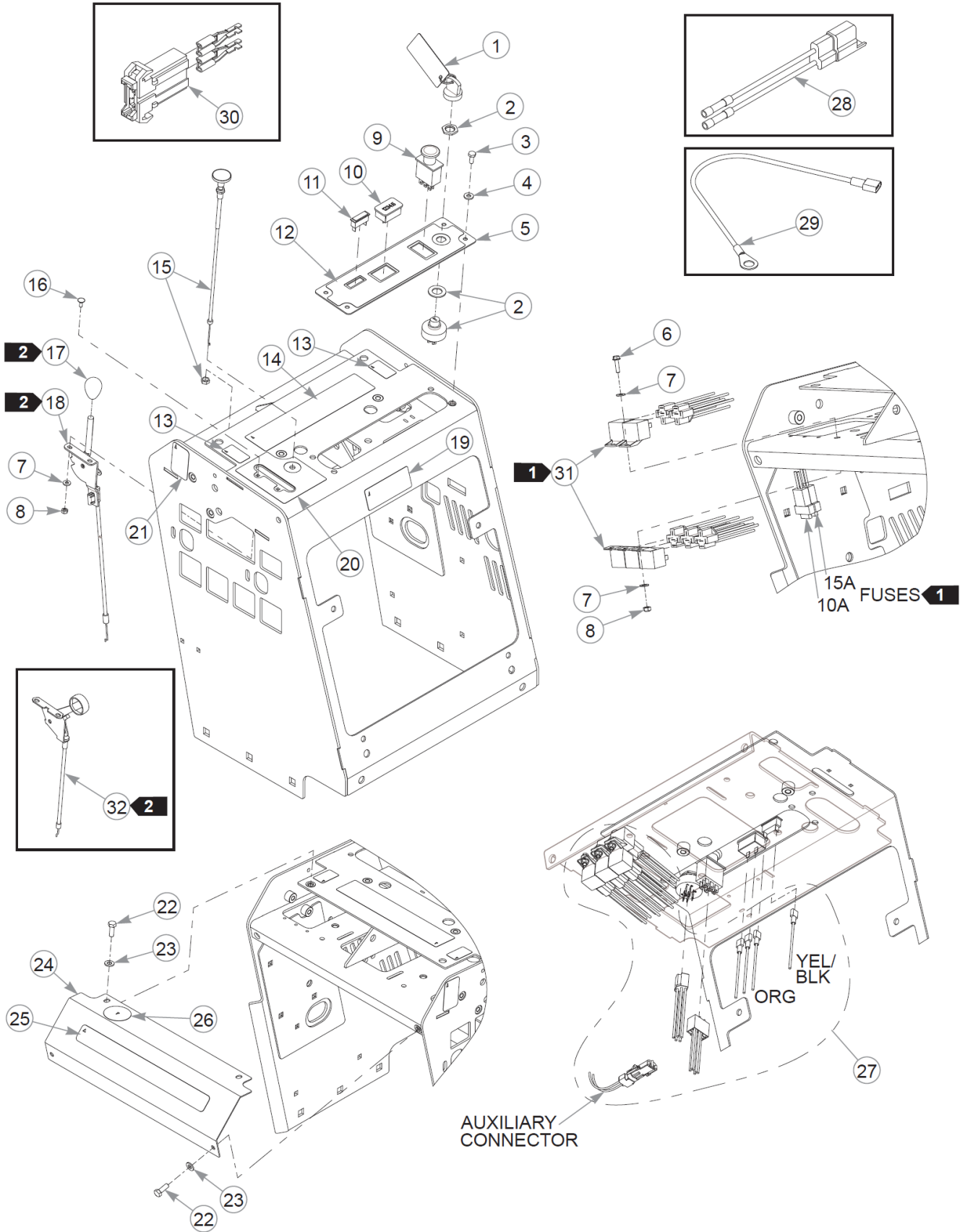


## Battery

Item	Part No.	Qty	Name
1	122629	1	BATTERY COVER
2	768523	6	FW 0.343SAE
3	000331	1	WIRE TIE, SMALL/SHORT
4	058776	6	NT .312-18NLG5
5	713198	1	SEAL 3/8x3/4 SOLD BY FT
6	024927	2	NT .250-20HXG5
7	029868	4	LW .250 INTEXT ZN
8	055939	2	CS .250-20X0.75 HX G5 ZN
9	771428	1	BATTERY CBL BOOT-RED(FS)
10	794644	1	GM 1.50 X 2.12 X 1.75
11	037887	4	CB .312-18X 1.000 FUL ZN
12	601815	1	DECAL, BATTERY WARNINGS
13	553517	1	SVC, BATTERY BOX
14	045088	1	HOSE CLAMP 1" (FS)

Comments for Page: Battery

SEAL LENGTHA: 6.4 cm1. When performing service on the mower, disconnect the negative battery cable (black) and do not reconnect it to the battery until ready to start the engine.2. The battery box includes the decal.



# Instrument Panel & Wire Harness

Item	Part No.	Qty	Name
1	785808	1	KEY ASSEMBLY
2	045898	1	IGNITION SWITCH
3	064329	4	CS .250-20X0.625HXG5
4	768515	4	FW 0.281SAE
5	553513	1	SVC, INSTRUMENT PANEL
6	063198	3	CS #10-24X0.750FLKG5
7	704932	8	FW 0.219X.50X.05 ZN
8	059832	5	NT #10-24 HX NL ZN
9	776476	1	SWITCH, PTO 6201-321
10	769166	1	HOUR METER
11	712257	1	INDICATOR LIGHT, RED(FS)
12	606154	1	DECAL, INSTRUMENT PANEL
13	606218	2	DECAL, STEERING
14	606215	1	DECAL, SAFE OPERATION
15	601097	1	CABLE, CHOKE
16	601098	2	CB 10-24 X .500 ZYNC
17	603523	1	KNOB
18	603475	1	CABLE, THRTL 43"
19	601058	1	DECAL, HOT/SYN HYDRO OIL
20	606155	1	DECAL, INSTRUMENT PANEL
21	605688	1	DECAL, LEVEL FUEL FILL
22	064014	4	CS .312-18X0.875HXG5
23	768523	4	FW 0.343SAE
24	553515	1	SVC, COVER PANEL
25	602407	1	DECAL, HUSTLER ID
26	608127	1	DECAL, USA, F&D
27	605911	1	WIRE HARNESS
28	114052	1	KIT, CLUTCH CONN. REP.
29	604430	1	WIRE HARNESS
30	601047	1	HOLDER, FUSE
31	601053	5	RELAY, SEALED W/BRACKET
32	778365	1	CABLE, THROTTLE

Comments for Page: Instrument Panel & Wire Harness

1. Part of the wire harness.

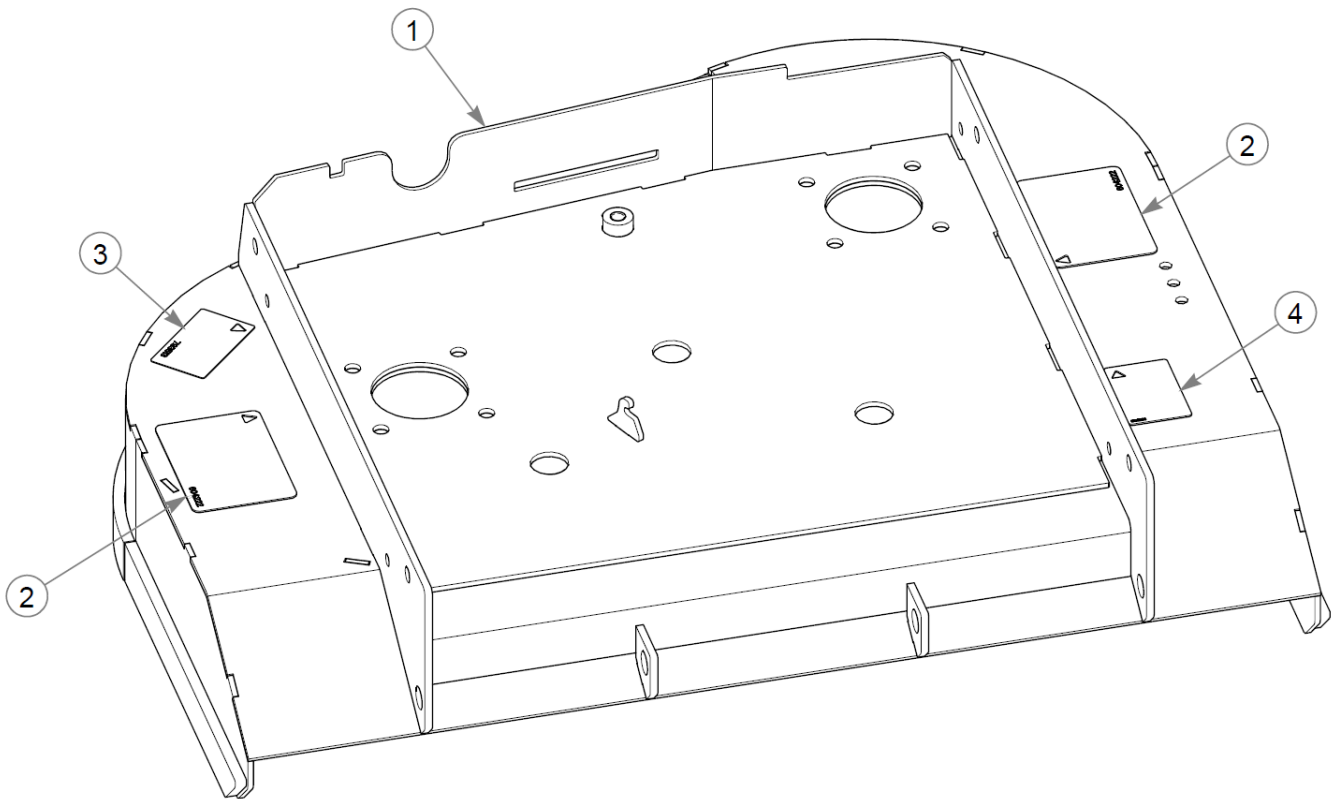
## Instrument Panel & Wire Harness

36" RD Super S Parts Manual - 938803CE - HTSUPR036KAWFS541VC

2. 603523 (knob) and 603475 (throttle cable) are used on mowers S/N 18122159 & higher. 778365 (throttle cable) is used on mowers prior to S/N 18122159.
3. The relay includes a bracket.



This page intentionally left blank

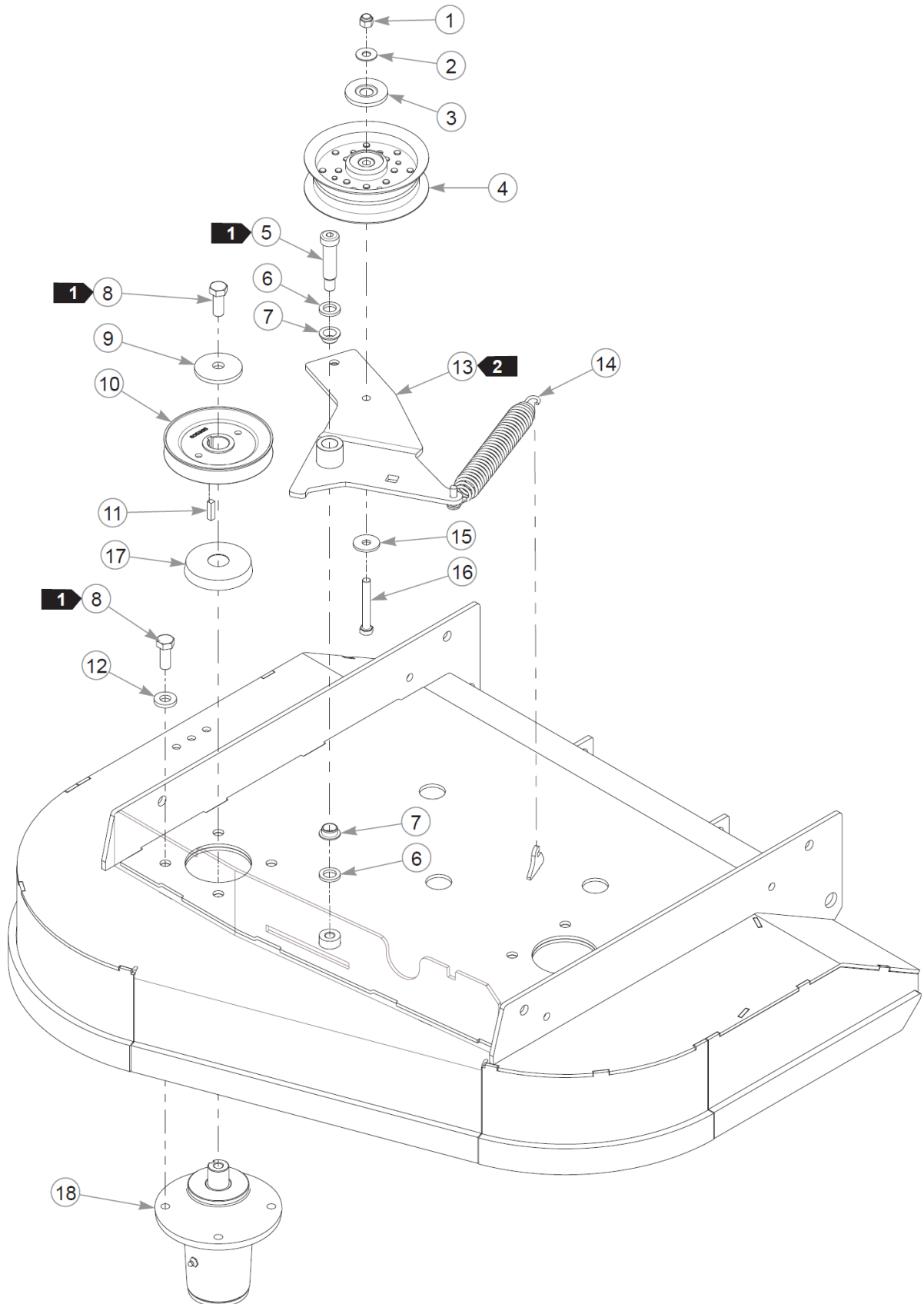


## Service Deck

Item	Part No.	Qty	Name
1	554616	1	SVC, DECK DECAL ASSY
2	604222	2	DECAL, DANGER / OBJECTS
3	793513	1	DECAL, 36" DECK ID
4	606216	1	DECAL, BELT ROUTING

Comments for Page: Service Deck

1. The deck includes the decals.

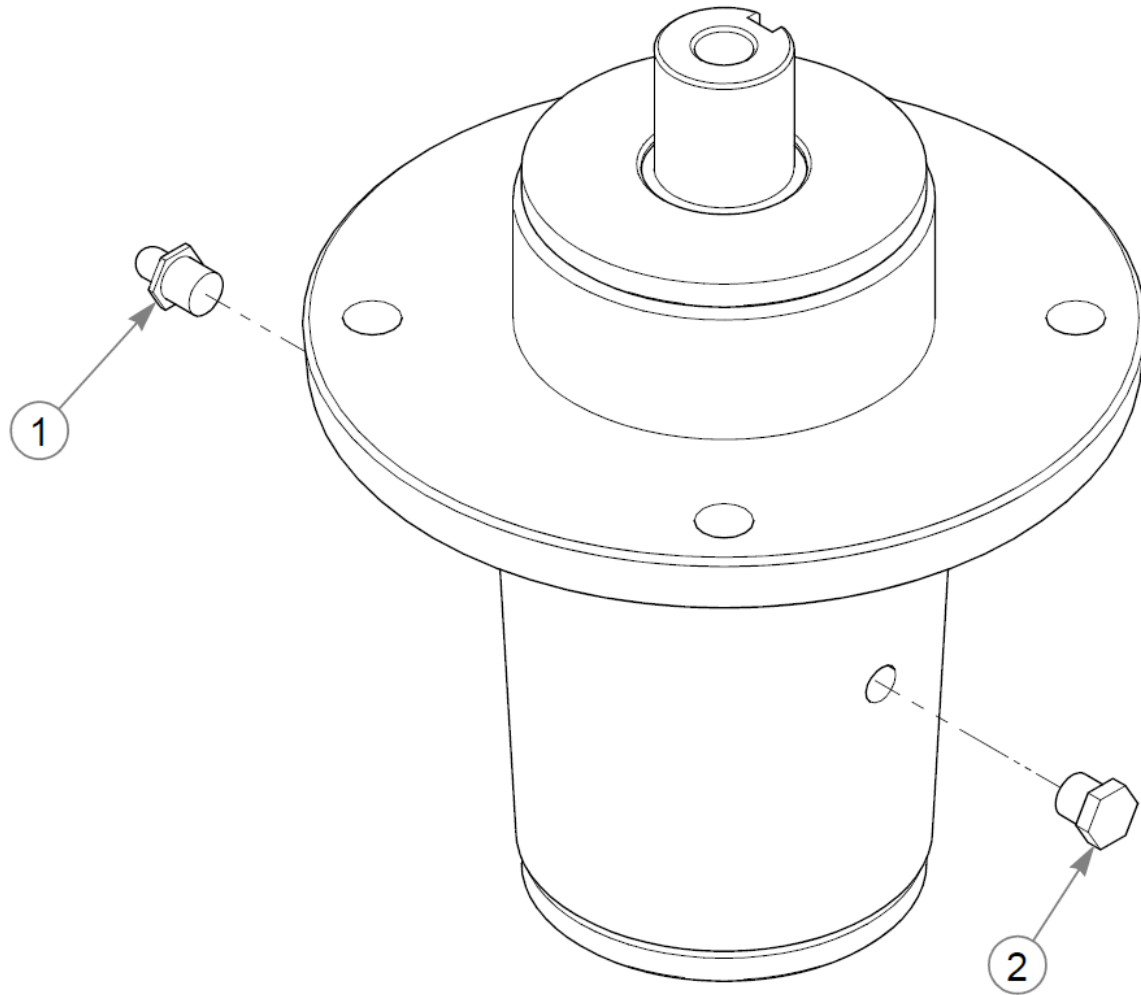


## Deck Pulleys & Spindles

Item	Part No.	Qty	Name
1	086660	1	NT .375-16NLG8
2	603057	1	DUST SHIELD W/OFFSET
3	076422	1	FW 0.406X1.00X.06 ZN
4	606385	1	PULLEY, 5" FLAT IDLER
5	606149	1	SB .625 X 2.00 SH.50-13
6	028118	2	FW 0.625X1.00X.13 ZN
7	602539	2	BUSHING, .625 I.D.
8	705954	10	CS .500-13X1.25 HX G5 ZN
9	752386	2	CW .515X 2.25X .204 BLK
10	605985	2	DRIVE PULLEY
11	212472	2	KEY 1/4 SQ X 1.00 LG(FS)
12	767962	8	FW .531 x 1.063 x .175
13	122278	1	IDLER ARM W/A
14	607616	1	SPRING, DECK IDLER
15	712893	1	FW 0.406X1.25X.12 HD ZN
16	705731	1	CS .375-16X2.750G5
17	607409-4	2	DUST SHIELD
18	607407	2	SPINDLE ASSY, DUCTILE

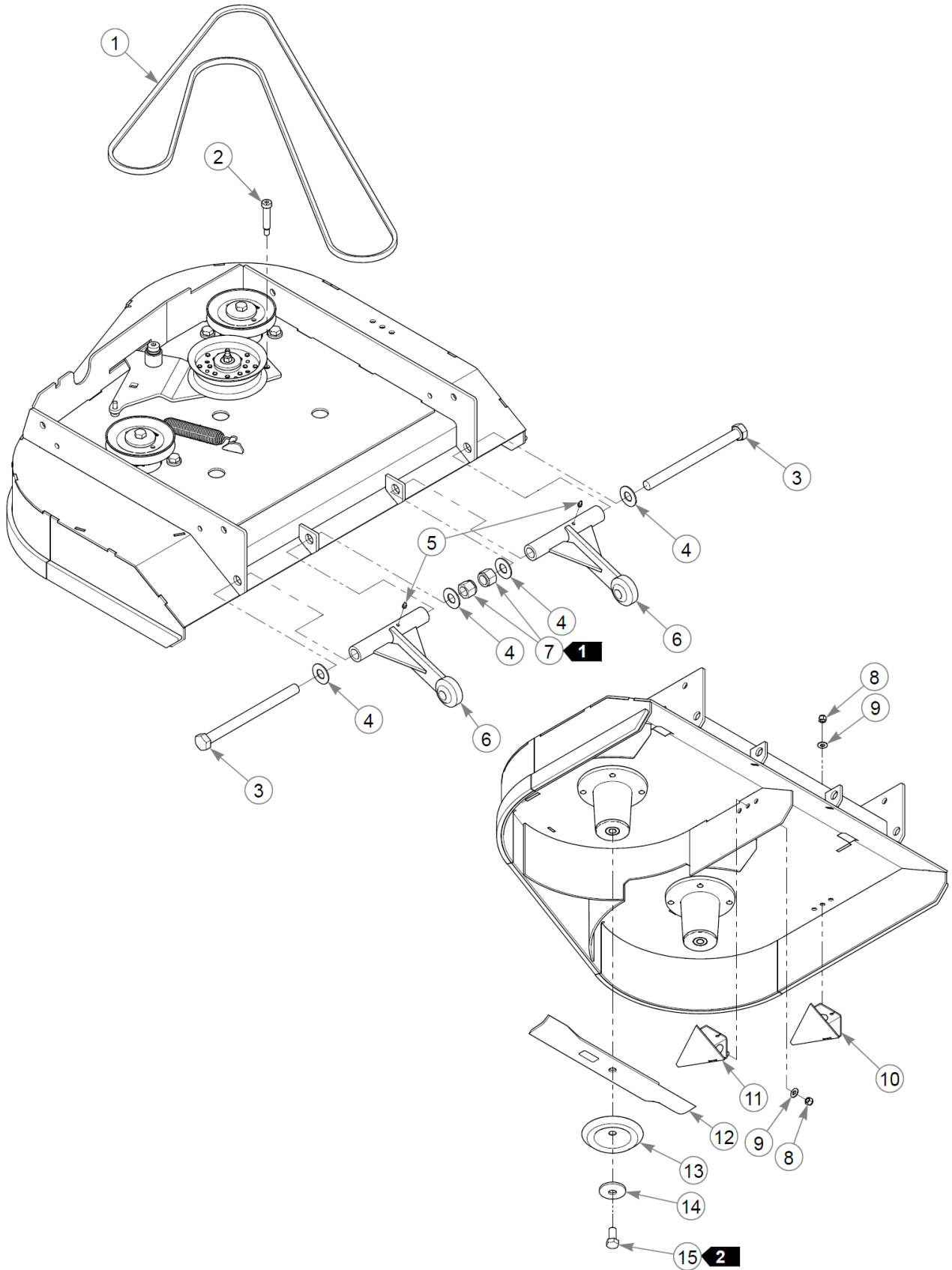
Comments for Page: Deck Pulleys & Spindles

1. Torque to 91–99 N•m. 2. The idler arm must pivot freely.



Spindle Assembly Service Parts - 607407

Item	Part No.	Qty	Name
1	607477	1	GREASE ZERK
2	607478	1	RELIEF FITTING





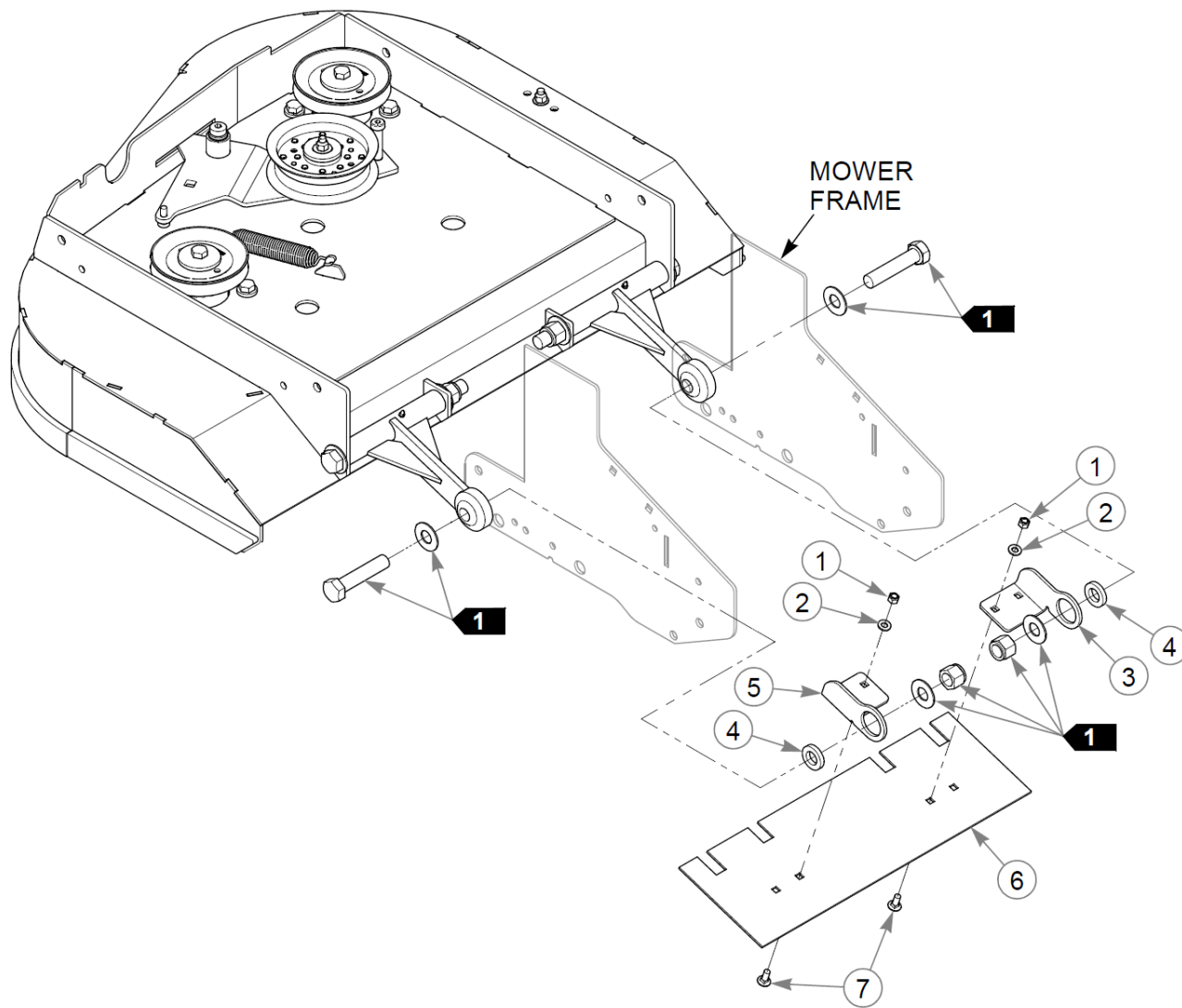
## Deck, Deck Belt, Blades

Item	Part No.	Qty	Name
1	607060	1	DECK BELT EL 107.75
2	606386	1	SB 0.500 X 2.000
3	041475	2	CS .750-10X9.50 HX G5 ZN
4	025296	4	FW .760X1.63X0.08 ZN
5	015495	2	GREASE FITTING STRAIGHT
6	124681-4	2	PUSHER W/A
7	061101	2	NT .750-10 HX ZN NL GR B
8	086660	2	NT .375-16NLG8
9	767954	2	FW 0.379X.82X.06 HD ZN
10	124740-1	1	RAMP W/A RH
11	124737-1	1	RAMP W/A
12	783753	2	BLADE,17.86"-L-F-CW
13	114988	2	SHIELD, BLADE BOLT
14	782474	2	CW .678 X 2.250 X .187
15	781872	2	CS .625-11X1.250HXG5

Comments for Page: Deck, Deck Belt, Blades

1. Tighten to remove play on the cap screw. The pusher must rotate freely.
2. Torque to 160 N•m.

# Dust Shield

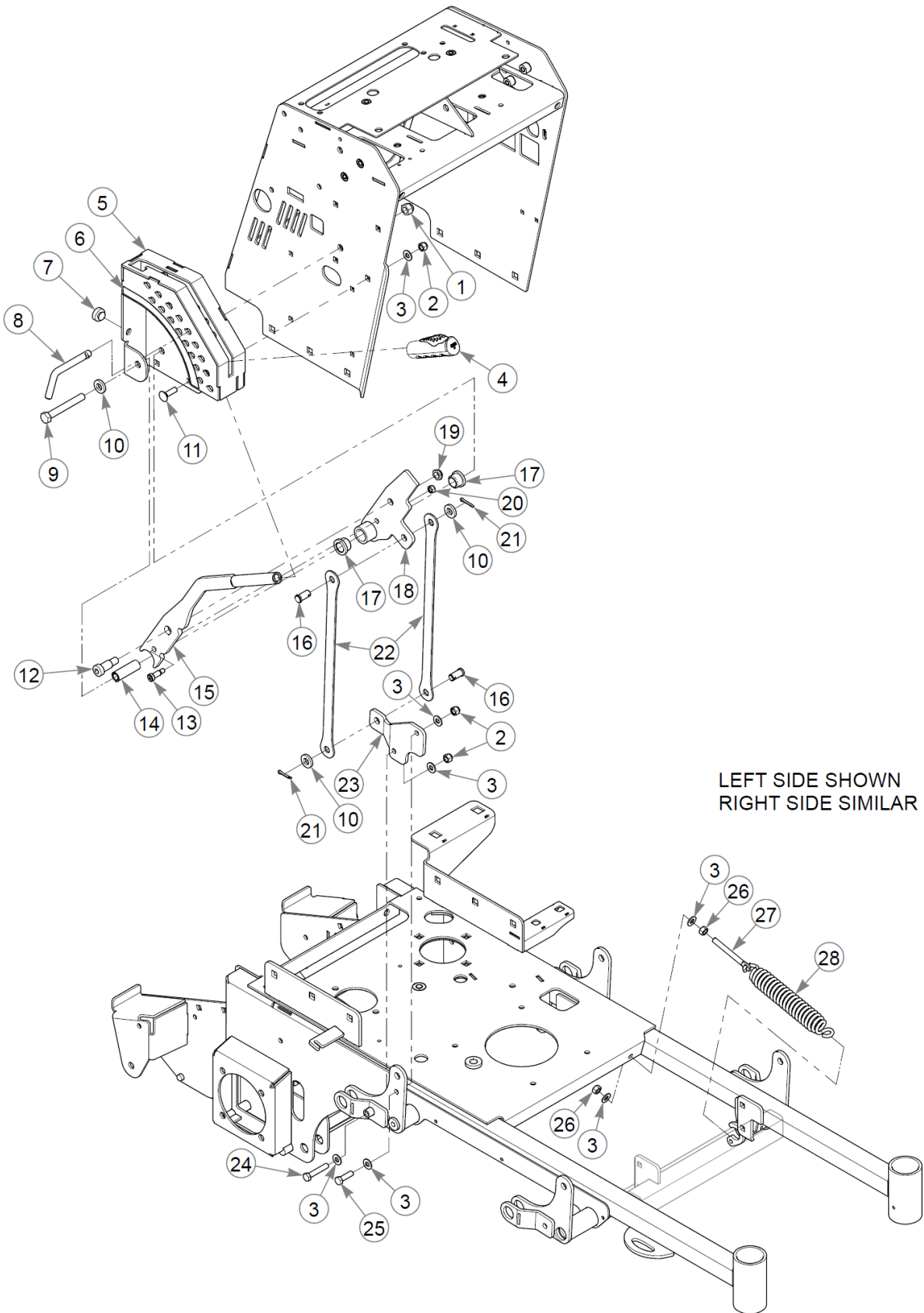


## Dust Shield

Item	Part No.	Qty	Name
1	058776	4	NT .312-18NLG5
2	768523	4	FW 0.343SAE
3	124686-1	1	CHUTE BRACKET, RH
4	778399	2	FW .781X1.38X.25 ZN
5	124687-1	1	CHUTE BRACKET, LH
6	124685-1	1	BELLY PAN
7	016253	4	CB .312-18X .750 FUL ZN

Comments for Page: Dust Shield

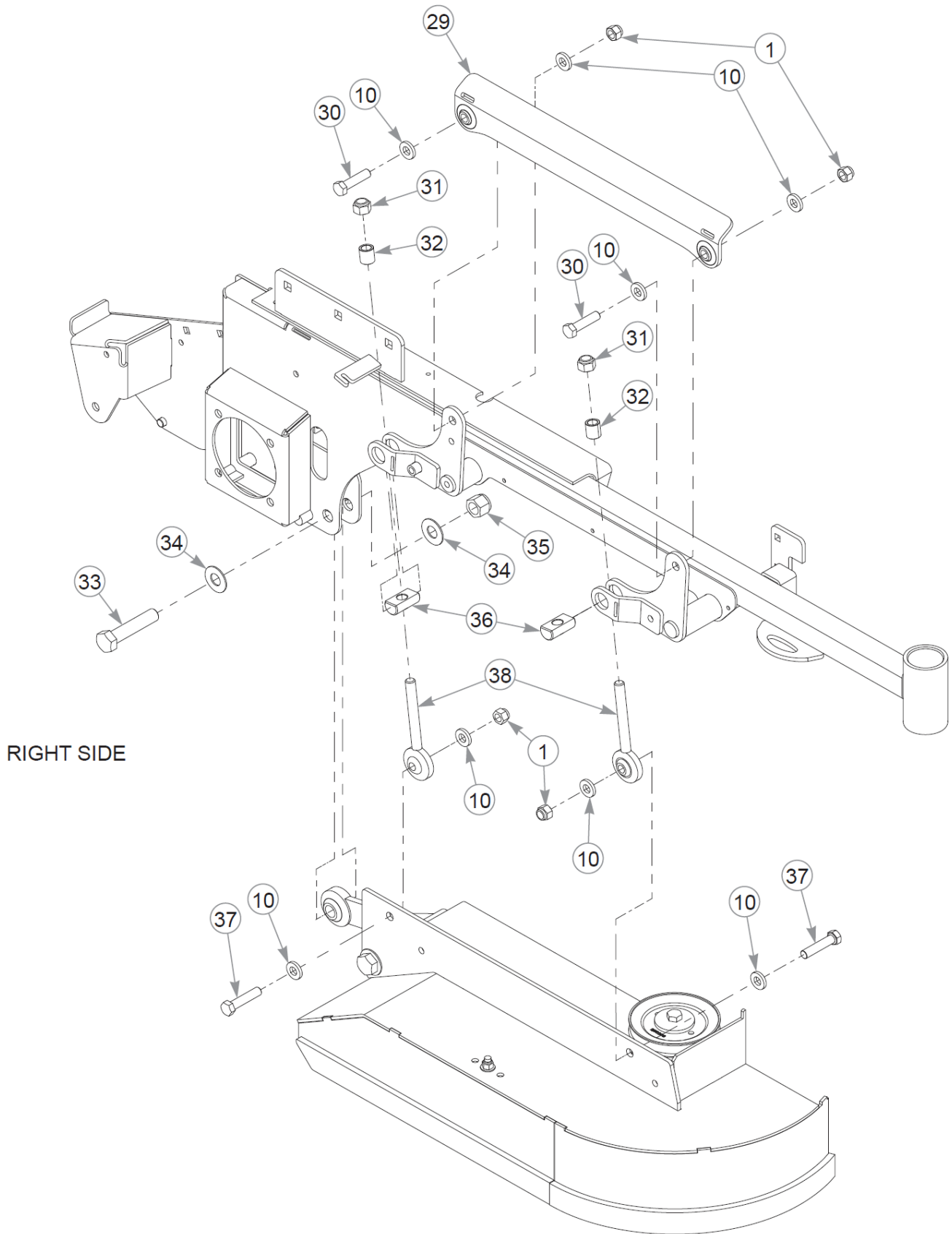
1. Part of the Deck Lift Assembly.



## Deck Lift &amp; Mounting Hardware (Multi-Page)

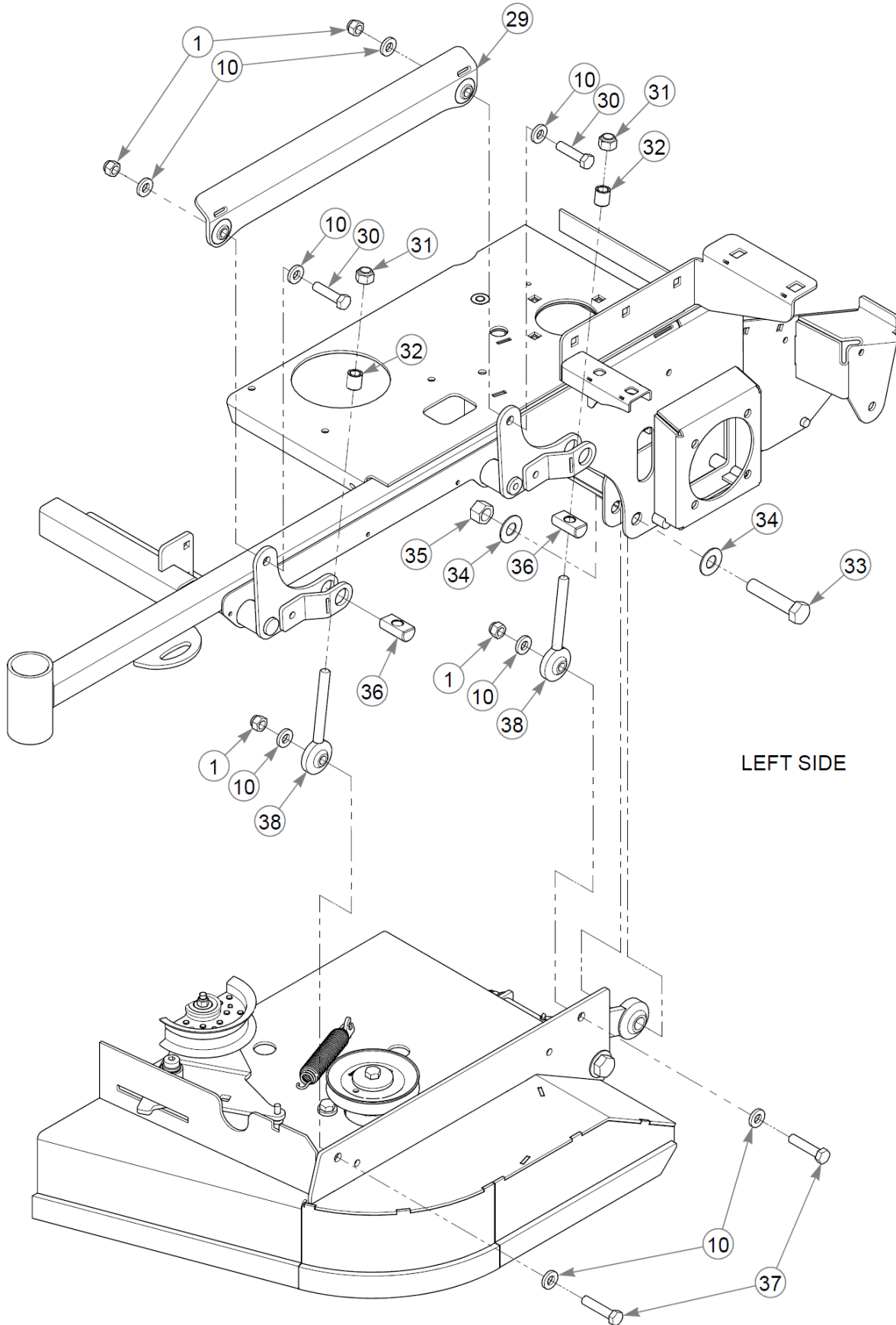
36" RD Super S Parts Manual - 938803CE - HTSUPR036KAWFS541VC

Item	Part No.	Qty	Name
1	781567	9	NT .500-13NLG5
2	086660	6	NT .375-16NLG8
3	767954	10	FW 0.379X.82X.06 HD ZN
4	606257	1	GRIP, DECK LIFT
5	554484	1	SVC, DECK HEIGHT BRKT
6	607115	1	DECAL, DECK HEIGHT
7	781880	1	BUMPER, .500x 1.00x .31
8	604076	1	PIN, DECK HEIGHT STOP
9	068023	1	CS .500-13X3.75 HX G8 ZN
10	767962	19	FW .531 x 1.063 x .175
11	603113	4	CB .375-16X1.250 G5 ZN
12	032581	1	SB .375X .750 SH.312-18
13	606359	1	SB .625X 1.000 SH .500-1
14	606343	1	DECK LEVEL SPACER
15	124134-4	1	DECK LIFT HANDLE W/A
16	047993	2	CE .500X1.00 .150X .85
17	608000	2	BUSHING
18	122658	1	PIVOT WA,
19	707398	1	NT .500-13 JAM NY LK
20	058776	1	NT .312-18NLG5
21	017251	2	CP .156DX1.000 LG HML Z
22	122655	2	DECK LIFT LINK
23	122605	1	DECK LIFT PLATE
24	016410	1	CS .375-16X2.000HXG5
25	052860	1	CS .375-16X1.25 HX G5 ZN
26	054502	2	NT .375-16HXG5
27	601486	1	EB, .375-16X3.00 FULTHD
28	606355	1	SPRING, EXT 7.00 112LBS
29	606342	2	DECK LIFT LINK, W/A
30	078949	4	CS .500-13X2.000 FUL HX
31	606316	4	NT 0.563-18 NLGC
32	606292	4	DECK LEVEL SPACER
33	789115	2	CS .750-10X3.500HXG5
34	025296	4	FW .760X1.63X0.08 ZN
35	061101	2	NT .750-10 HX ZN NL GR B
36	606291	4	DECK LEVEL PIVOT



## Deck Lift & Mounting Hardware (Multi-Page)

Item	Part No.	Qty	Name
37	761544	4	CS .500-13X2.250HXG8
38	606290	4	W/A DECK LEVEL ROD END





## Deck Lift & Mounting Hardware (Multi-Page)

Comments for Page: Deck Lift & Mounting Hardware (Multi-Page)

1. The deck height weldment includes the decal.