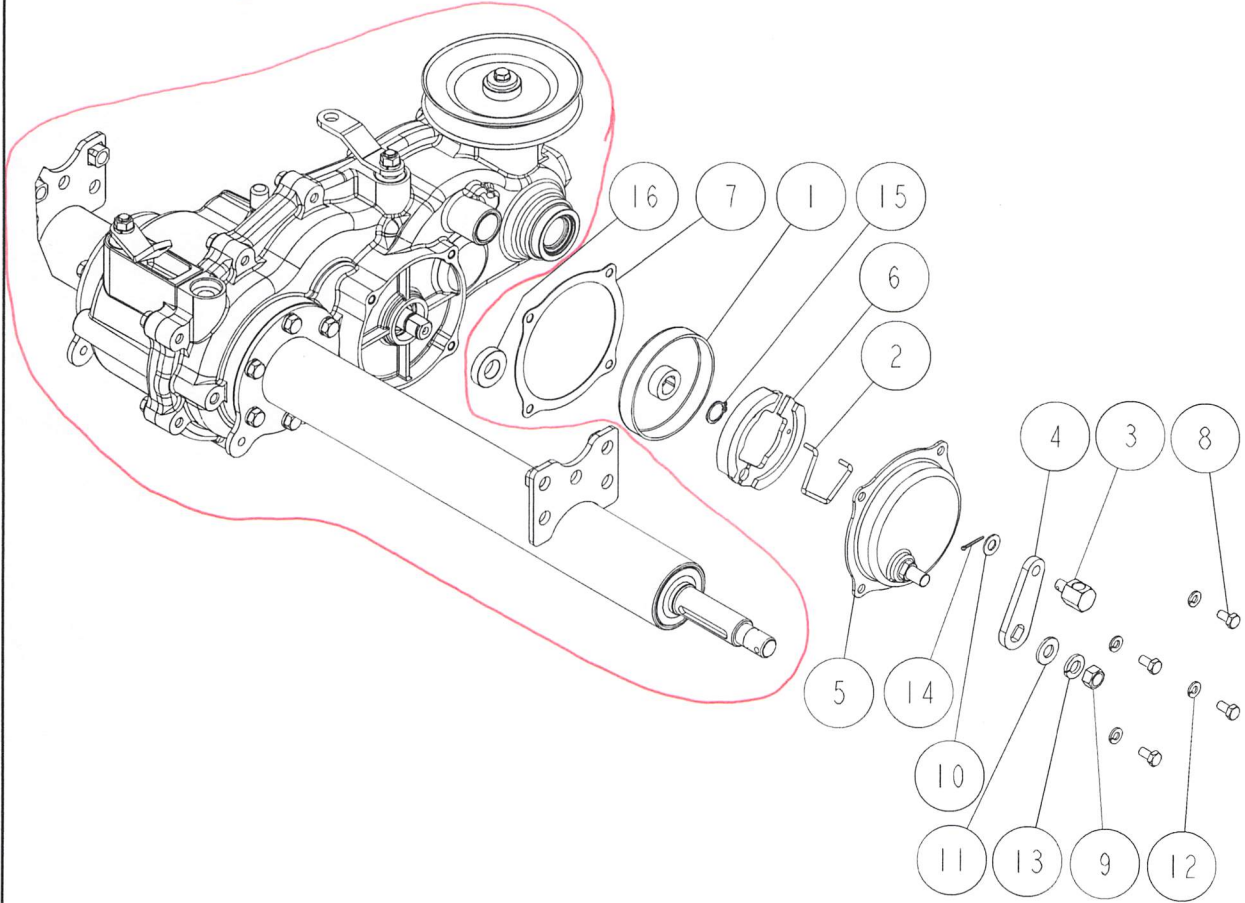


18/52 Transmission & HST 3/9

0244-09110



Ref.	Parts Number	Parts Name	Quantity	Remarks
-	0207-73000	Brake Assy(with packing)	1	Include : 1,2,4,5,6,7,9,11,13
-	0207-73100	Brake Assy(without packing)	1	Include : 1,2,4,5,6,9,11,13
-	0207-73200	Brake Cap Assy	1	Include : 2,4,5,6,9,11,13
1	80-1030-282-00	Brake Drum (PA-7)	1	
2	80-1030-285-00	Spring for Brake Shoe Return	1	
3	0207-10300	Brake Joint	1	
4	-	-	1	
5	-	-	1	
6	0244-88100	Brake Shoe Set (PA-7)	1	
7	0308-00300	Brake Cover PK (PA-7)	1	
8	89-1113-060122	Hexagonal Bolt (8T) M6*12	4	
9	89-1611-100042	Mini Hexagonal Nut M10	1	
10	89-1711-080002	Flat Washer 8	1	
11	89-1712-100000	Flat Washer 10	1	
12	89-1750-060002	Spring Washer 6	4	
13	89-1750-100002	Spring Washer 10	1	
14	89-2120-200152	Split Pin 2*15	1	
15	89-2511-000150	Snap Ring (S15)	1	
16	89-5125-153007	Oil Seal UE 15.30.07F	1	