

Hustler® Parts Manual



HUSTLER®
TURF EQUIPMENT

200 South Ridge Road

Hesston, Kansas

67062



NOTICE OF REQUIREMENT OF SPARK ARRESTER MUFFLER

This equipment may create sparks that can start fires around dry vegetation. California Public Resources Code Section 4442.6 provides that it is unlawful to use or operate an internal combustion engine on any forest-covered, brush-covered, or grass-covered land unless the engine is equipped with a spark arrester maintained in effective working order. A spark arrester is a device constructed of nonflammable materials specifically for the purpose of removing and retaining carbon and other flammable particles over 0.0232 of an inch in size from the exhaust flow of an internal combustion engine that uses hydrocarbon fuels or which is qualified and rated by the United States Forest Service. Other states or federal areas may have similar laws. The Operator Should Contact Local Fire Agencies For Laws or Regulations Relating to Fire Prevention Requirements. **THIS EQUIPMENT DOES NOT HAVE A SPARK ARRESTER AND YOU SHOULD CONTACT YOUR AUTHORIZED DEALER FOR THE PURCHASE OF A SPARK ARRESTER.**

Inspect spark arrester daily; replace every 500 hours or as needed.

The Engine Owner's Manual provides information regarding the U.S. Environmental Protection Agency (EPA) and the California Emission Control Regulation of emission systems, maintenance and warranty.

Keep Engine Owner's Manual with your unit. Should the Engine Owner's Manual become damaged or illegible, replace immediately. Replacements may be ordered per the information found in the Product Information section of the owner's manual.

Federal law and California State law prohibit the following acts or the causing thereof:

1. The removal or rendering inoperative by any person other than for purposes of maintenance, repair, replacement, of any device or element of design incorporated into any equipment for the purposes of emissions control prior to or after its sales or delivery to the ultimate purchaser or while it is in use, or
2. The use of the equipment after such device or element of design has been removed or rendered inoperative by any person.

General Information	1
Frame & Cover	
Frame	3-1
Cover	3-2
Transmissions, Drive Belt, Handlebar, Instrument Panel & Brake	
Transmissions, Hoses & Drive Belt (Multi-Page)	4-1
Transmission Service Parts	4-2
Instrument Panel (Multi-Page)	4-3
Handlebar - Steering Sub-Assembly	4-4
Brake	4-5
Wheels & Tires	
Wheels & Tires	5-1
Front Wheel Assembly	5-2
Drive Wheel Breakdown	5-3
Engine, Muffler, Clutch & Fuel System	
Engine, Muffler & Clutch (Multi-Page)	6-1
Engine Service Parts	6-2
Battery	6-3
Fuel System	6-4
Fuel Tank Service Parts	6-5
Deck, Deck Belt, Blades & Deck Lift	
Service Deck	7-1
Deck Pulleys & Spindles	7-2
Spindle Service Parts - 607208	7-3
Deck, Deck Belt & Blades	7-4
Deck Lift & Mounting Hardware (Multi-Page)	7-5

General Information

Note: When ordering parts, you must use the part number as shown for each part, not the index number. Always give the model and serial number to your parts and service representative.

Note: Items sold in bulk such as seals and hoses are sold by the foot.

Using This Manual

This manual is part of a service package for the Hustler® mowers. Use of this manual in conjunction with other Hustler® mower and component manuals will provide the information necessary to service and maintain Hustler® mowers.

This Parts Manual provides a complete parts listing for the unit. Use this manual when ordering parts. Illustrations used were current at the time of printing, but subsequent production changes may cause your machine to vary slightly in detail. Excel Industries, Inc. reserves the right to redesign and change the machine as deemed necessary, without notification. If a change has been made to your machine which is not reflected in this parts manual, see your authorized dealer for current information and parts.

The Service Manual is a service guide for use by Service Technicians. It provides the necessary information needed to perform normal maintenance requirements on these units.

The Operator's Manual provides fundamental operational information and operational safety that is needed when operating the mower.

The component manuals are furnished by the various manufacturers to be used for the troubleshooting and servicing of their products.

Hardware Description Codes & Abbreviations

The following codes are used throughout this parts manual. Refer to this list when ordering parts.

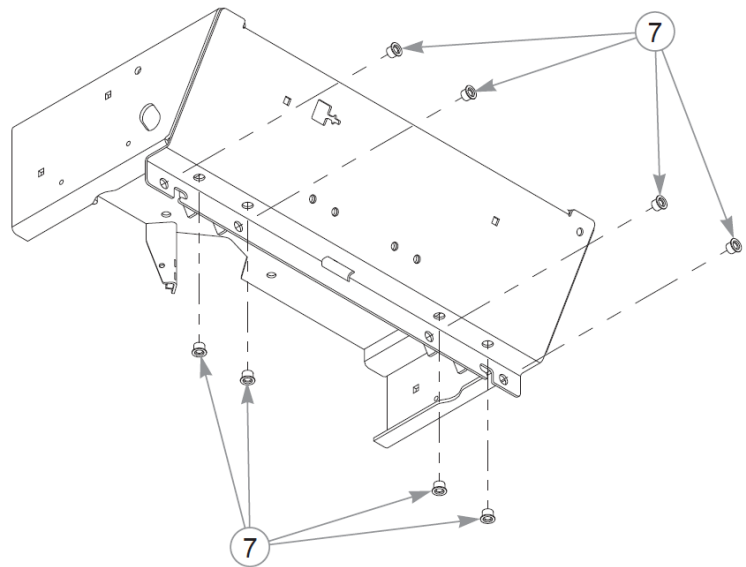
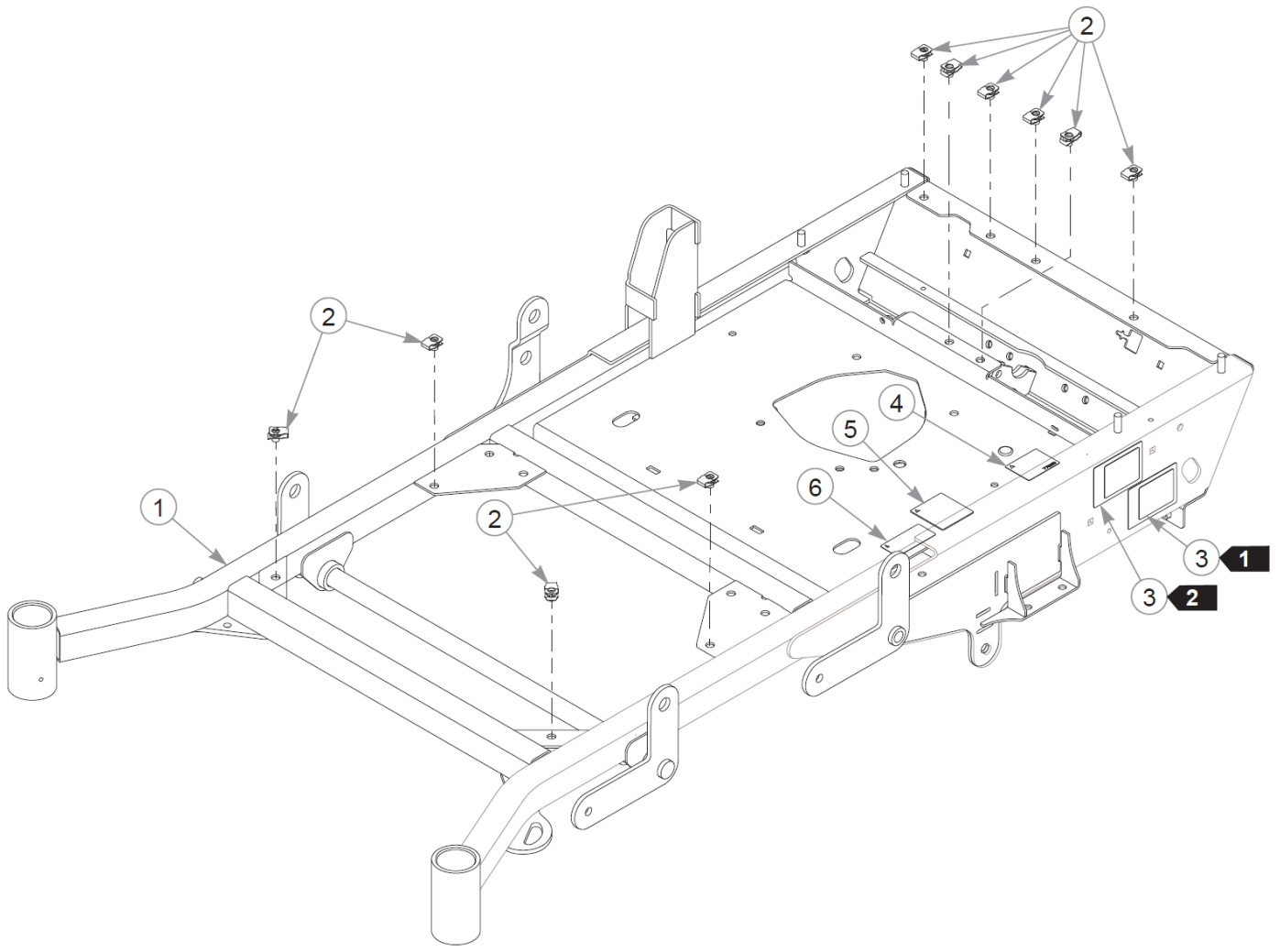
ABBREVIATION	DESCRIPTION	ABBREVIATION	DESCRIPTION
CB	CARRIAGE BOLT	MB	MACHINE BUSHING
CE	CLEVIS PIN	MS	MACHINE SCREW
CN	CLIP NUT	NT	NUT
CP	COTTER PIN	SC	SELF TAPPING CAP SCREW
CS	CAP SCREW	SH	SOCKET HEAD
CW	CUP WASHER	SB	SHOULDER BOLT
FDRW	FENDER WASHER	SS	SET SCREW
FW	FLAT WASHER	OD	OUTSIDE DIAMETER
HX	HEX HEAD	ID	INSIDE DIAMETER
LW	LOCK WASHER	WN	WELD NUT

Standard Torques

The following chart lists the standard torque values for the threaded fasteners found in this manual. Torque all cap screws, nuts and set screws to these values unless a different torque is shown in the Notes section next to the fastener.

SIZE	FT-LBS	N•M	SIZE	FT-LBS	N•M
.250	8.2	11.1	M3	1	1.3
.312	17	23	M4	2.2	3
.375	30	40	M5	4.5	6.1
.438	48	65	M6	7.7	10.4
.500	73	99	M8	18.5	25
.562	105	143	M10	37	50
.625	145	200	M12	64	87
.750	260	350	M14	80	108.5
.875	420	565	M16	160	215
1.00	625	850	M20	320	435
			M24	555	750

Cette page intentionnellement laissée vierge

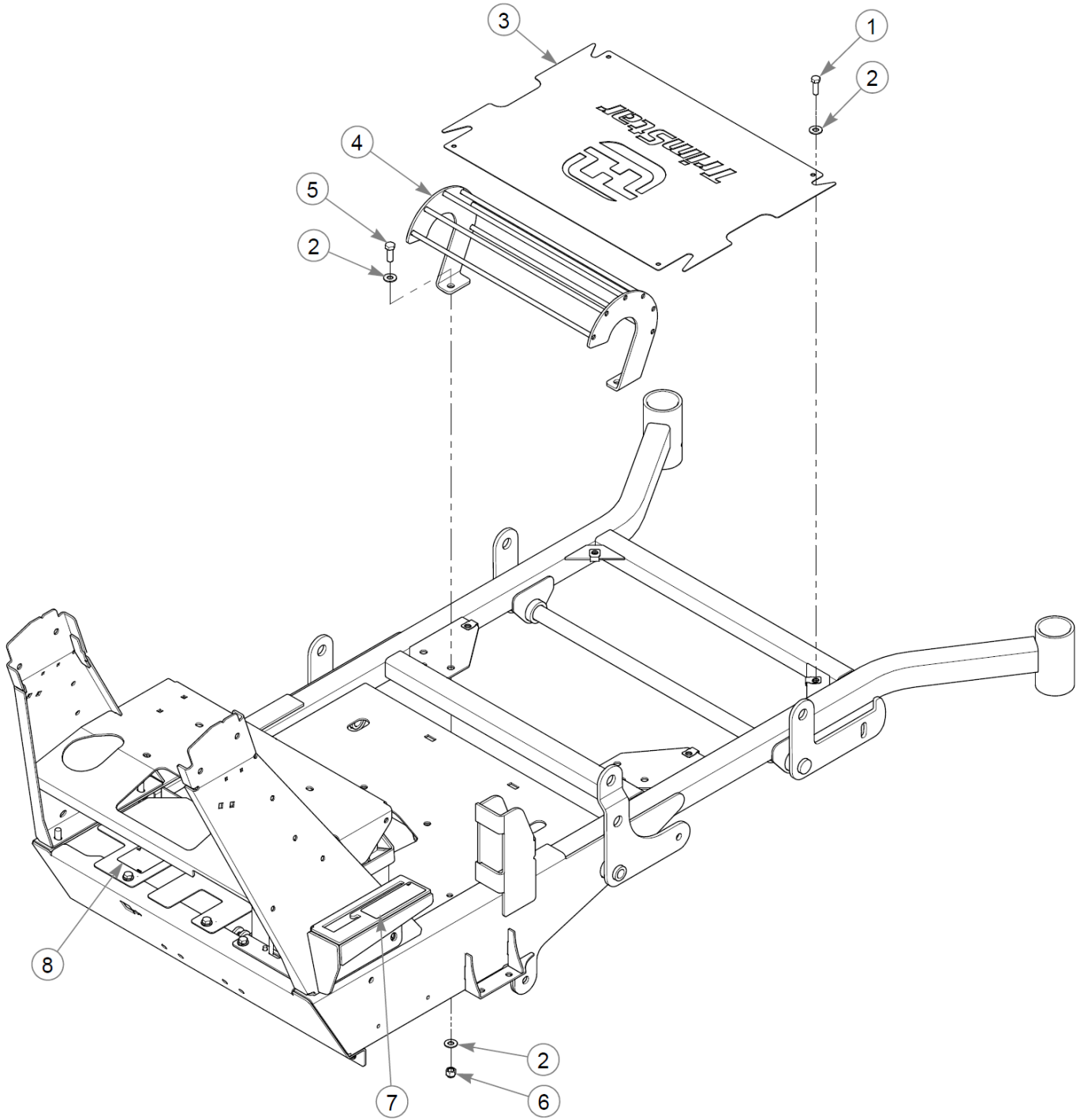


Frame

Élément	Numéro de pièce	Qté	Nom
1	555170	1	SVC FRAME, 48" CE TS
2	601069	10	CN .312-18x.200 MAX THK
3	N/A	2	SERIAL NO. / SPEC DECAL
4	776310	1	DECAL, CE MARK
5	794834CE	1	CE 100 DBA LIMIT DECAL
6	602041	1	DECAL, HOT
7	808485	8	RIVET NUT, 5/16-18 THRE

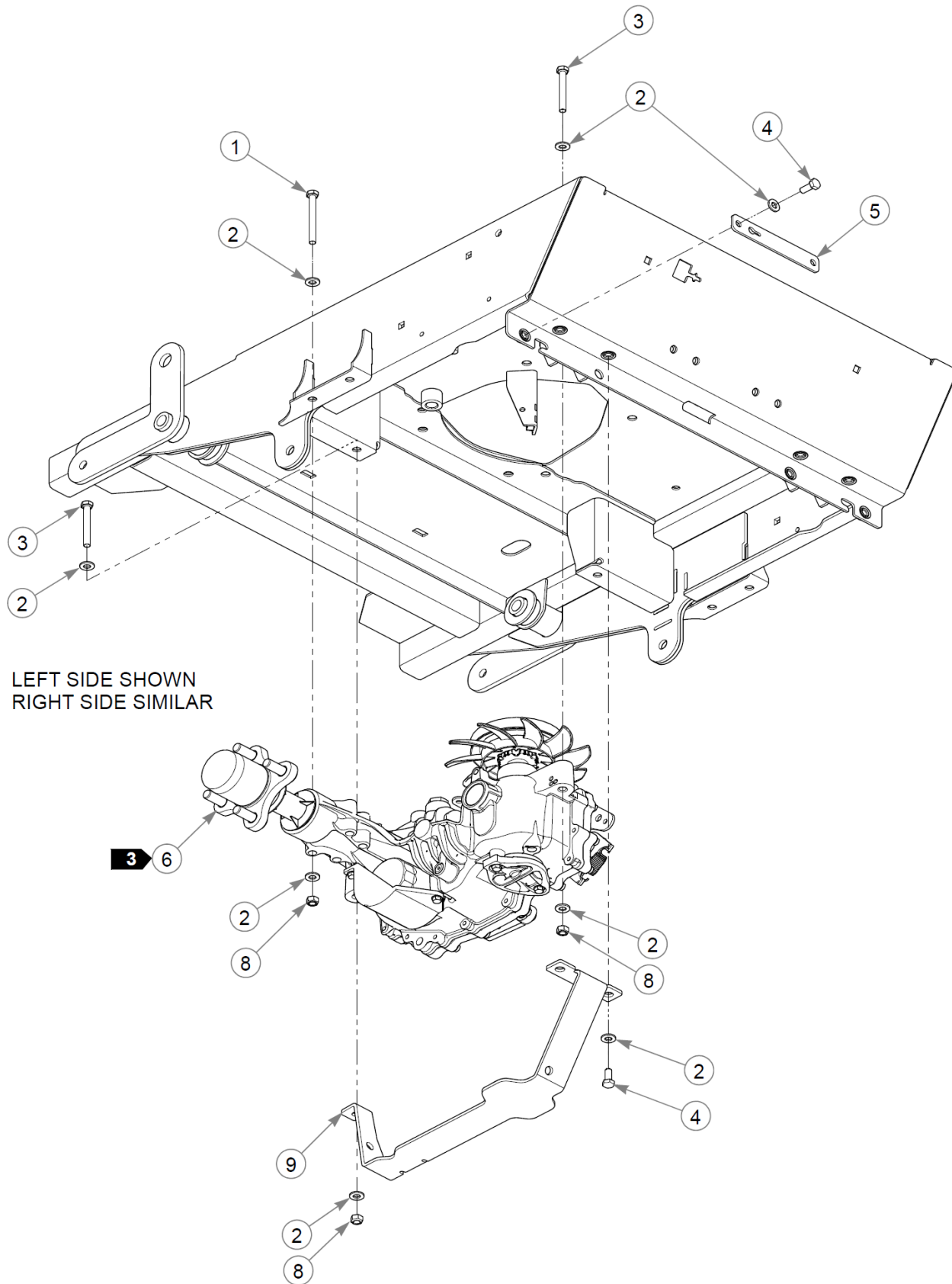
Comments for Page: Frame

1. Serial number decal. In the event the serial number decal becomes damaged or illegible, please contact your dealer to order a replacement.
2. EPA compliance decal.
3. The frame includes the decals and hardware.

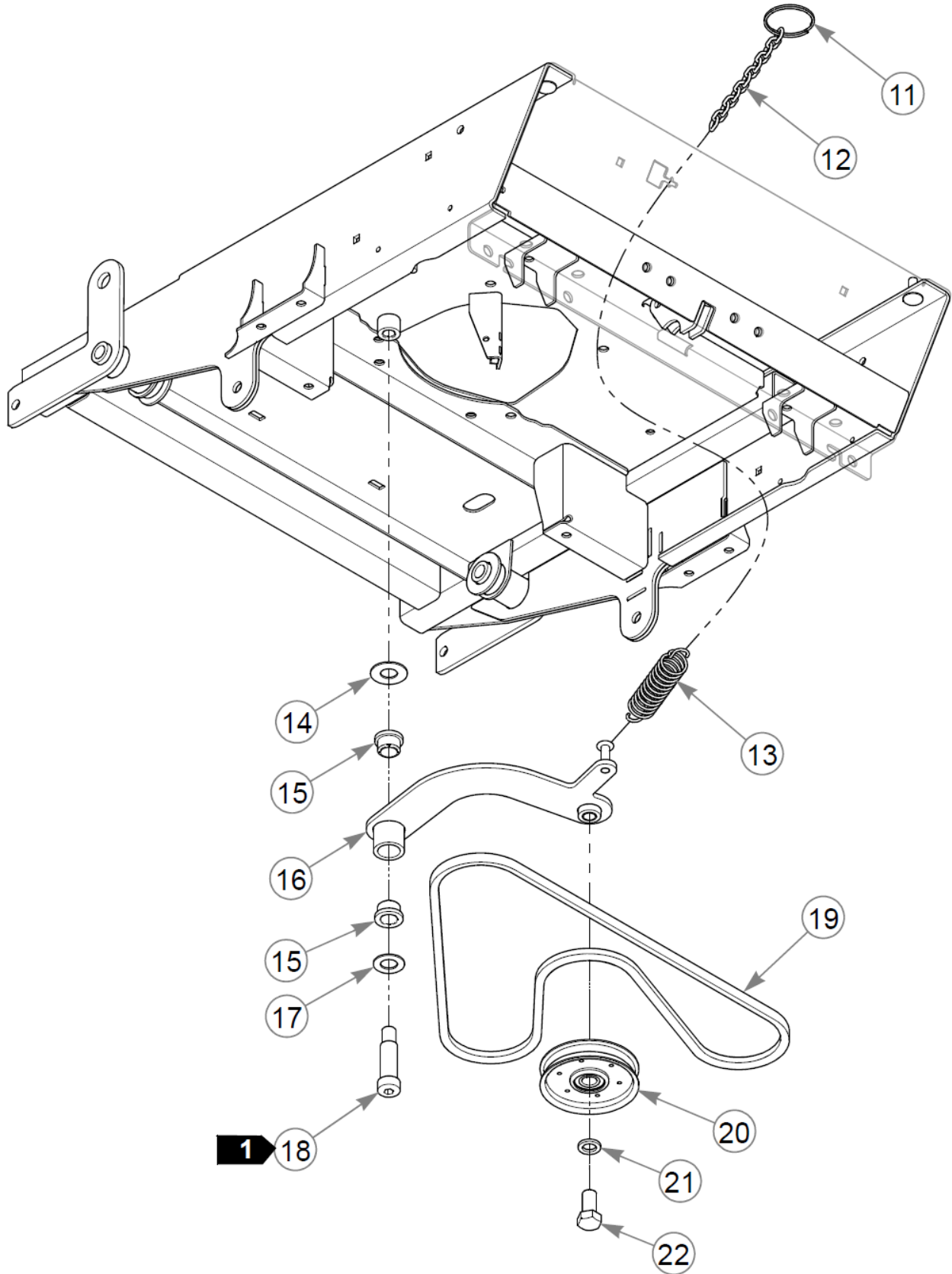


Cover

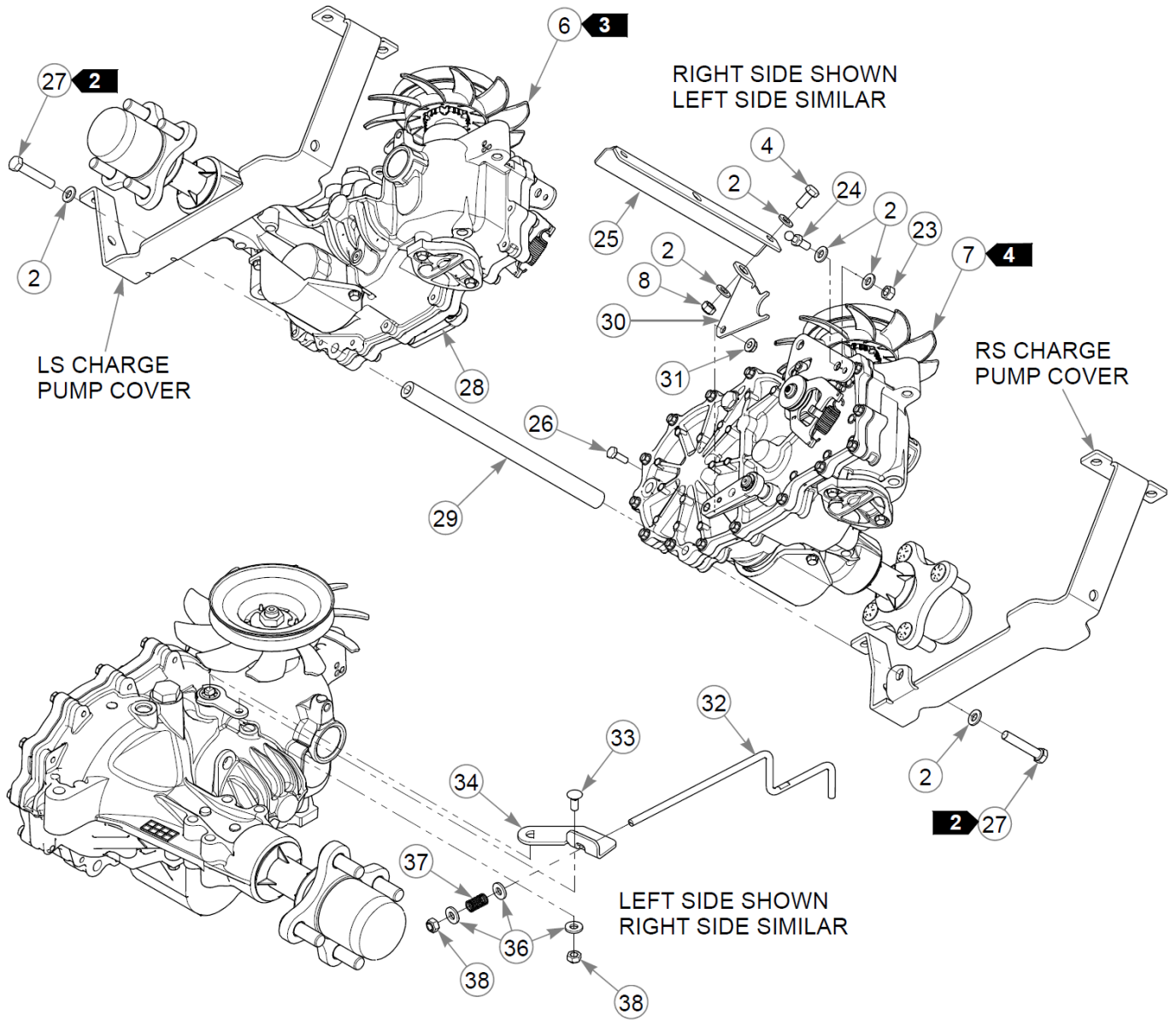
Élément	Numéro de pièce	Qté	Nom
1	036236	4	CS .312-18X1.000HXG5
2	712927	8	FW 0.344X1.00X.12 HD ZN
3	114003	1	DECK COVER, 48/54
4	114509	1	HEAT SHIELD, W/A
5	036244	2	CS .375-16X1.00 HX G5 ZN
6	086660	2	NT .375-16NLG8
7	602061CE	1	DECK HEIGHT DECAL
8	602562	1	DECAL, NO SERVICE



Élément	Numéro de pièce	Qté	Nom
1	043067	4	CS .312-18X3.000HXG5
2	768523	38	FW 0.343SAE
3	710087	4	CS .312-18X2.500HXG5
4	034280	10	CS .312-18X0.750HXG5
5	111157	2	PLATE, TS TOW VALVE
6	607498	1	TRANS - L, ZT2800
7	607499	1	TRANS - R, ZT2800
8	058776	12	NT .312-18NLG5
9	110730	1	CHARGE PUMP COVER, LH
10	110731	1	CHARGE PUMP COVER, RH
11	778746	1	RING, 2" ID SPLIT
12	259812	1	CHAIN, 13 LINK
13	036384	1	SPRING 1/4 COIL PL 1.23
14	025296	1	FW .760X1.63X0.08 ZN
15	781153	2	BUSHING, UHMW
16	110739	1	PUMP IDLER ARM W/A
17	604514	1	FW .760X1.38X.08 ZN
18	601084	1	SB .750X 2.000 SH.625-11
19	793836	1	DRIVE BELT
20	607525	1	PULLEY, IDLER
21	028118	1	FW 0.625X1.00X.13 ZN
22	781872	1	CS .625-11X1.250HXG5
23	034272	2	NT .312-18HXG5
24	781922	2	BALL STUD
25	125533-3	1	SUPPORT - BRAKE PULL
26	055939	2	CS .250-20X0.75 HX G5 ZN
27	016410	2	CS .375-16X2.000HXG5
28	109202	1	BRAKE SPRING LINK, RS
29	600987	1	ZT SPACER TUBE
30	109203	1	BRAKE SPRING LINK, LS
31	016816	2	NT .250-20FLKG5
32	602228	2	TOW LINK ROD
33	601503	2	CB .250-20 X .625 ZN
34	111616	1	TOW VALVE BRACKET, LS
35	111617	1	TOW VALVE BRACKET, RS
36	768515	6	FW 0.281SAE

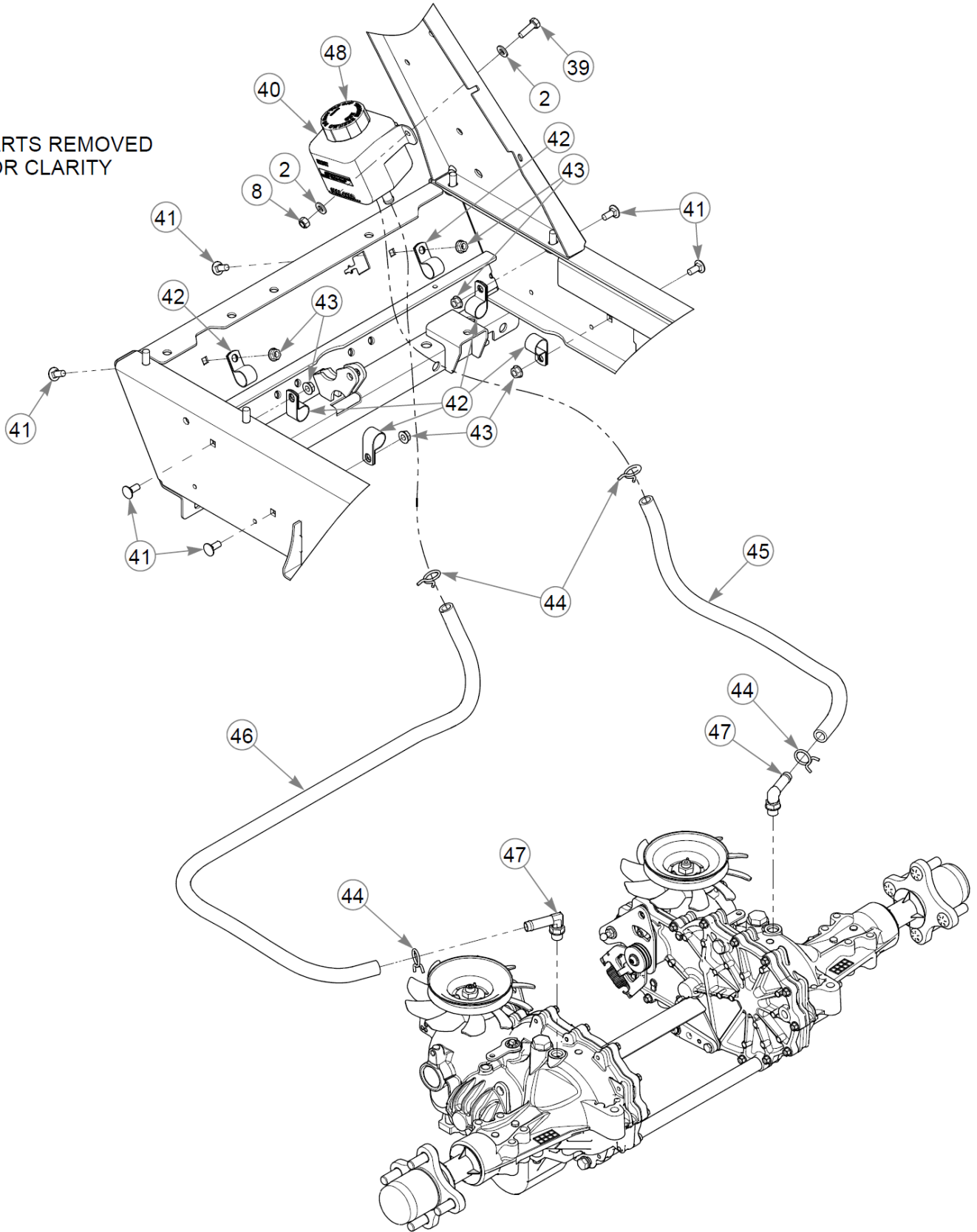


Élément	Numéro de pièce	Qté	Nom
37	041988	2	SPRING LC-042F-5
38	068551	4	NT .250-20 HXZY NL
39	036236	2	CS .312-18X1.000HXG5
40	601996	1	EXPANSION TANK, ZT2800
41	016253	6	CB .312-18X .750 FUL ZN
42	043570	6	CLIP - HOSE - SINGLE(FS)
43	016832	6	NT .312-18FLKG5
44	601001	4	SPRING CLAMP, .75" DIA
45	605899	1	HOSE 23" 787713
46	605900	1	HOSE 43" 787713
47	601219	2	FTG, 90 - 9/16 SAE
48	600767	1	CAP, OVERFLOW TANK



Cette page intentionnellement laissée vierge

PARTS REMOVED FOR CLARITY

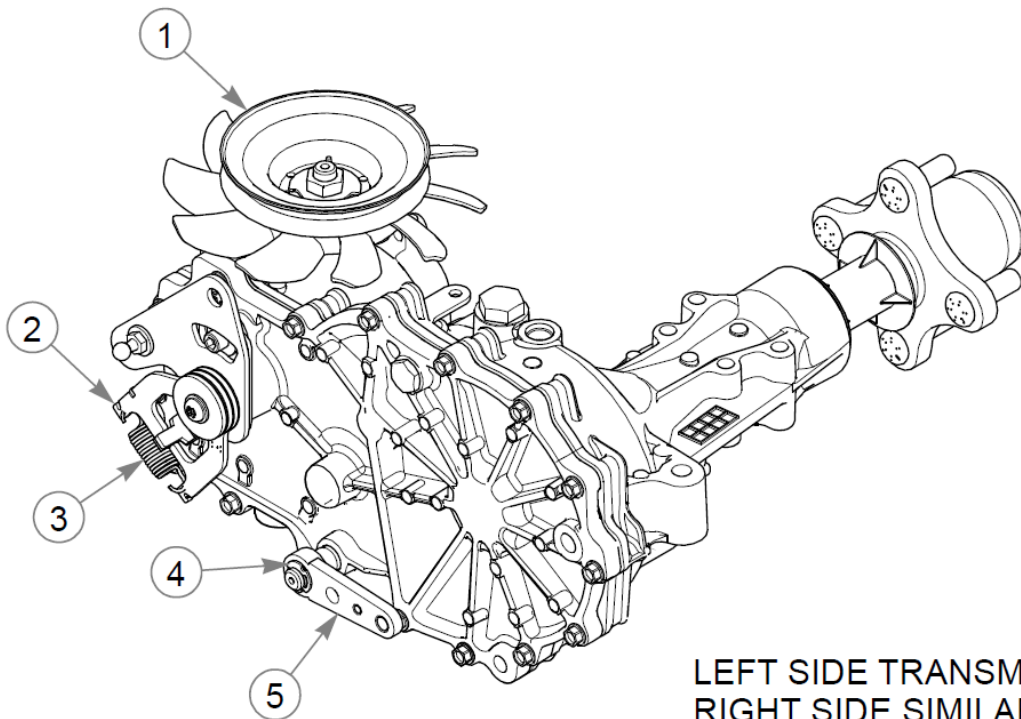


Transmissions, Hoses & Drive Belt (Multi-Page)

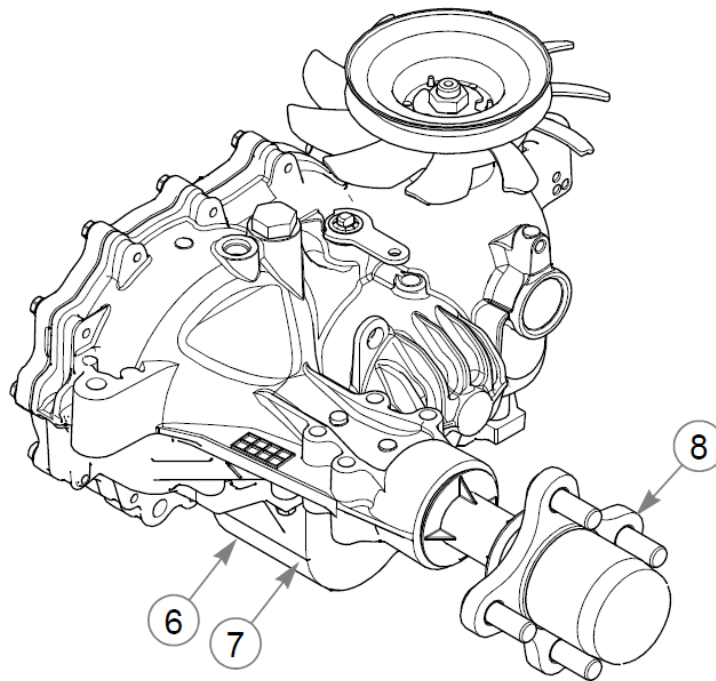
48" TrimStar Parts Manual - 939504CE - HTTSRS048KAWFS600VC

Comments for Page: Transmissions, Hoses & Drive Belt (Multi-Page)

1. Torque to 100 ft-lbs.
2. Torque to 30 ft-lbs.
3. Left side transmission.
4. Right side transmission



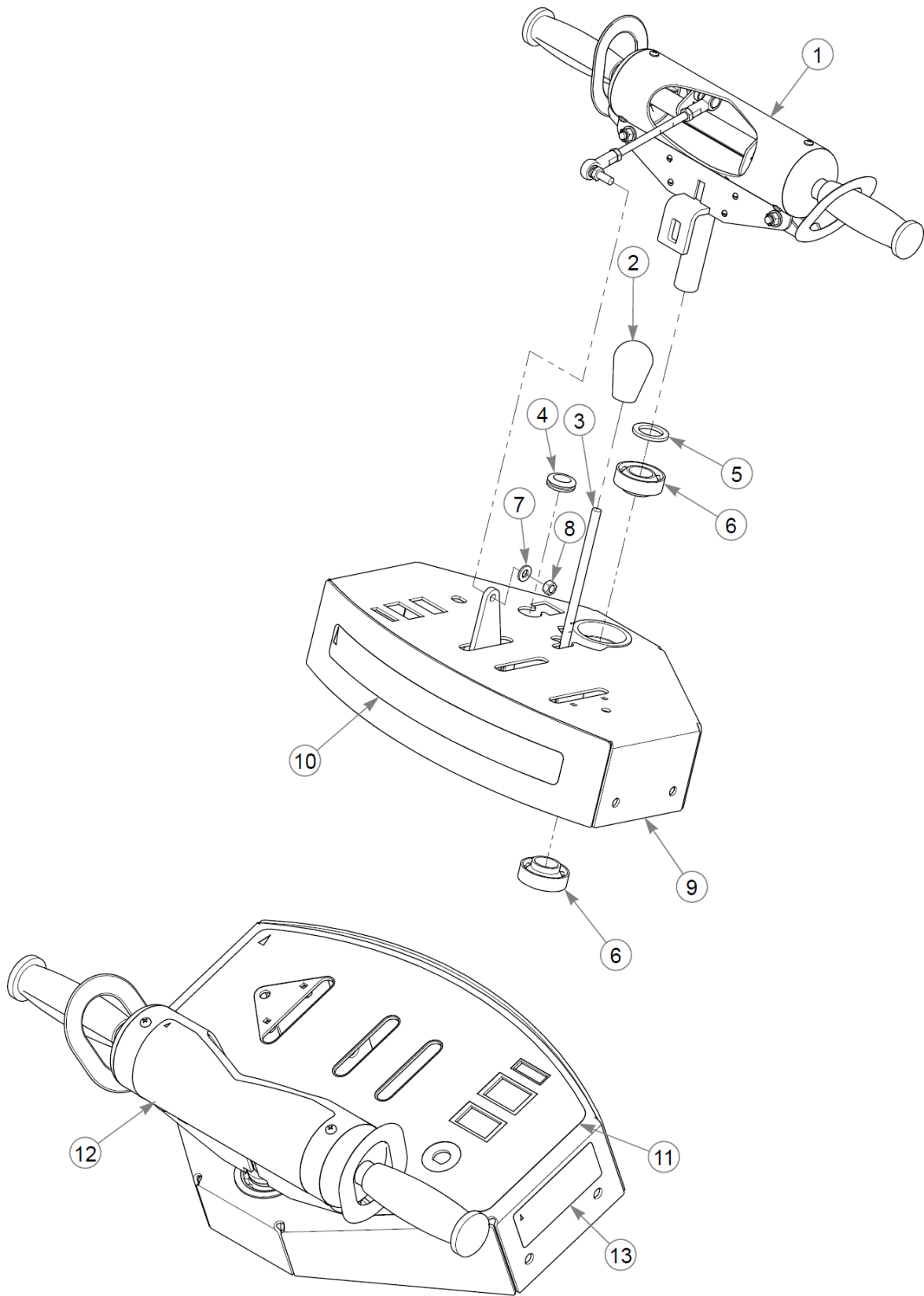
LEFT SIDE TRANSMISSION SHOWN
RIGHT SIDE SIMILAR



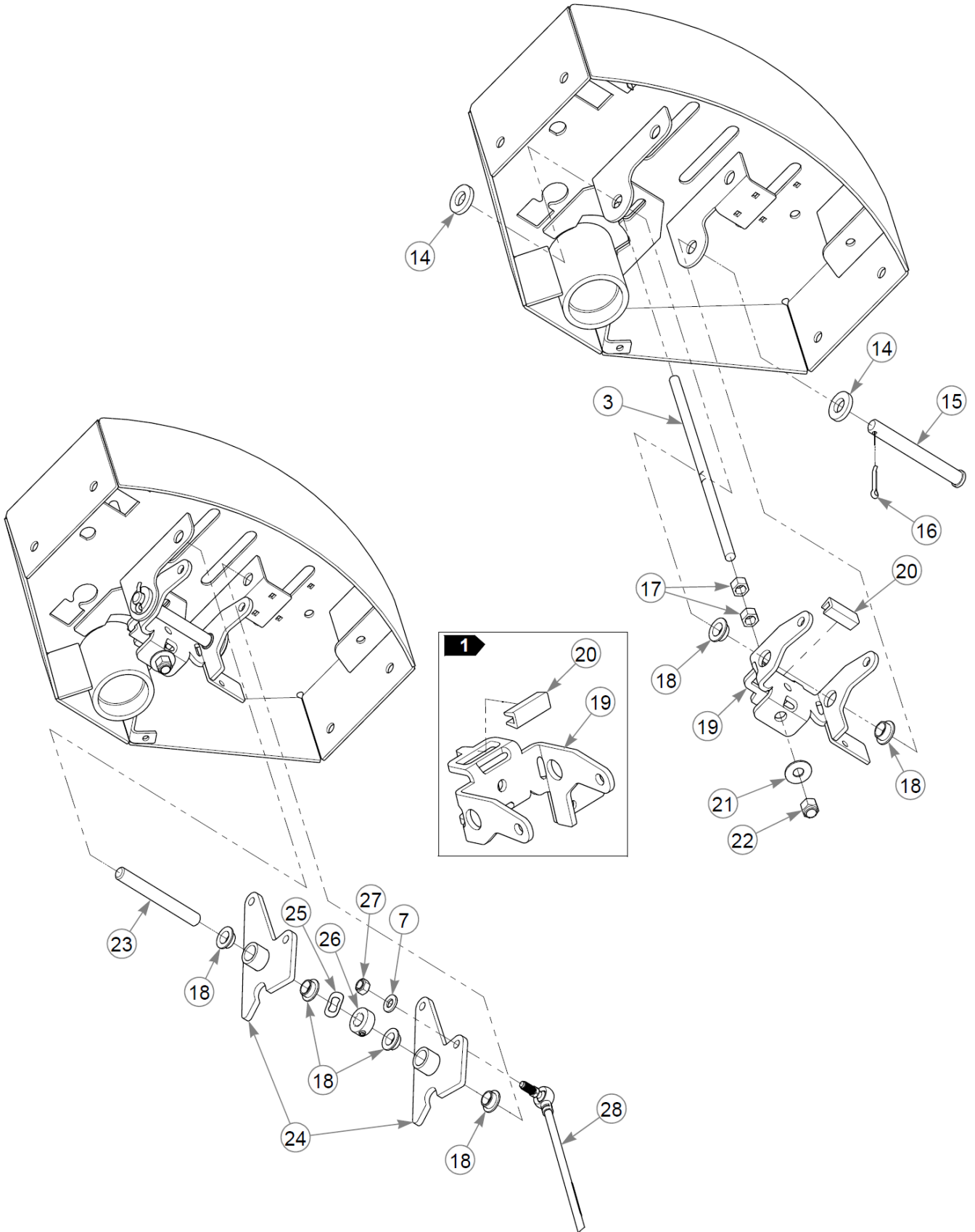
Élément	Numéro de pièce	Qté	Nom
1	602094	1	FAN / PULLEY KIT
2	604901	1	HG RTN CW
Not Shown	604902	1	HG RTN CCW
3	602208	1	SPRING, EXT RTN 52401
4	600972	1	CLIP, RETAINING
5	604957	1	BRAKE ARM, ZT3400
6	600974	1	GUARD, TRANS FILTER
Not Shown	600975	1	GUARD, TRANS FILTER
7	600976	1	HYDRAULIC OIL FILTER
8	600970	1	KIT, HUB, 4 BOLT

Comments for Page: Transmission Service Parts

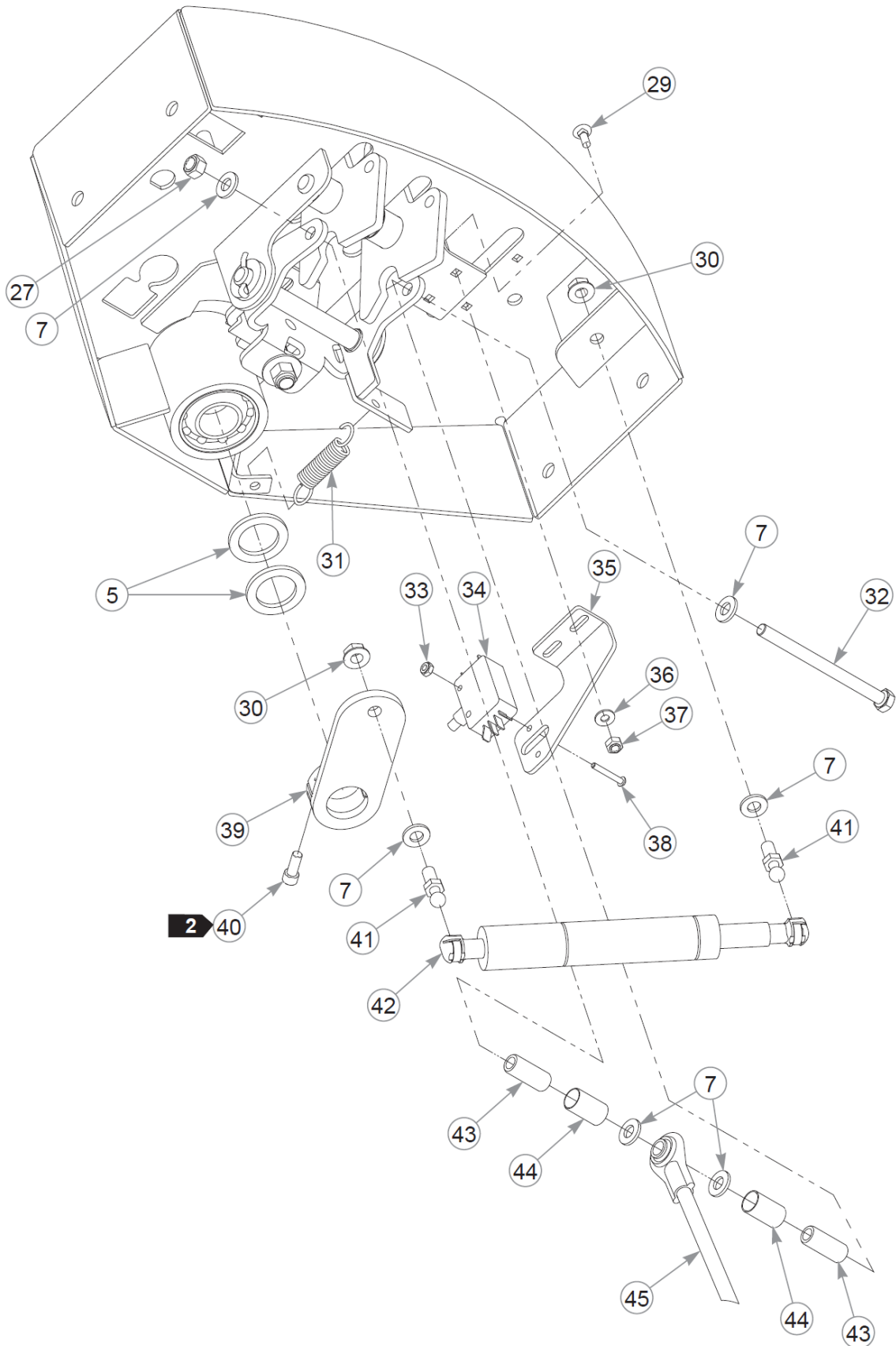
1. The 4 bolt hub kit includes the nut.



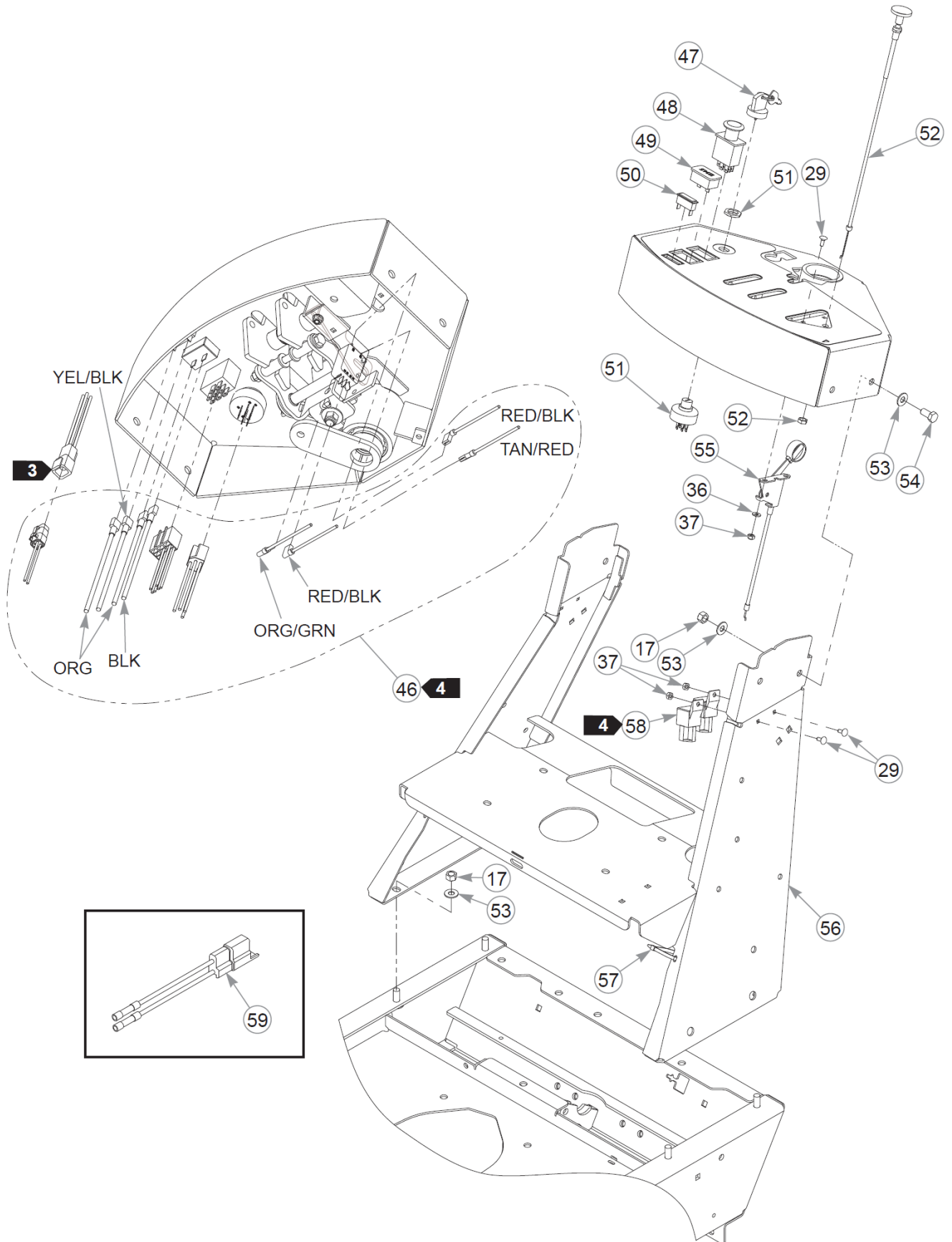
Élément	Numéro de pièce	Qté	Nom
1		1	REFER TO "HANDLEBAR - STEERING SUB-ASSMBLY"
2	606980	1	KNOB, POLYPROPYLENE
3	110645	1	NEUTRAL LOCK HANDLE ROD
4	047456	1	GM .750X.188X1.00X.12
5	045765	3	FW 1.030X1.50X.13 HD ZN
6	784223	2	BEARING
7	768523	10	FW 0.343SAE
8	041152	2	NT 0.312-24 HX G8
9	550192	1	CONSOLE TS SERV ASSY
10	605669	1	DECAL, TrimStar ID
11	601935	1	DECAL, TS INST PNL ES
12	771030	1	DECAL, H-BAR STEERING
13	601967	1	DECAL, ENGINE COMPART
14	767962	2	FW .531 x 1.063 x .175
15	073338	1	CE .500X4.50 .156X4.34
16	017251	1	CP .156DX1.000 LG HML Z
17	054502	10	NT .375-16HXG5
18	768259	6	BUSHING,IGUS#0810 (FS)
19	119748	1	NEUTRAL LOCK YOKE ASSY
20	604448	1	UHMW CHANNEL
21	076422	1	FW 0.406X1.00X.06 ZN
22	086660	1	NT .375-16NLG8
23	305086	1	PIVOT PIN
24	110639	2	BELLCRANK W/A
25	601953	1	WASHER, WAVY .558x1.005
26	788554	1	LOCK COLLAR, .500x1.000
27	058776	3	NT .312-18NLG5
28	601952	2	PUMP ADJUSTMENT ROD
29	601098	6	CB 10-24 X .500 ZYNC
30	016832	2	NT .312-18FLKG5
31	034652	1	SPRING 2.5
32	785113	1	CS .312-18X4.250 HX G5
33	055863	2	NT #6-32 HX G5 NL ZN
34	023002	1	DOUBLE POLE SWITCH
35	110646	1	NEUTRAL SWITCH BRKT
36	704932	4	FW 0.219X.50X.05 ZN



Élément	Numéro de pièce	Qté	Nom
37	059832	6	NT #10-24 HX NL ZN
38	077842	2	MS#6-32X1.000RDSL
39	314351	1	ARM W/A, WB DAMPER
40	607685	1	CS .250-28X 0.625 SH
41	781922	2	BALL STUD
42	788349	1	DAMPER, CENTERING
43	607502	2	BUSHING
44	607503	2	SLEEVE BEARING
45	601798	1	BRAKE ROD ASSY, CONSOLE
46	607569	1	WIRE HARNESS
47	785808	1	KEY ASSEMBLY
48	776476	1	SWITCH, PTO 6201-321
49	769166	1	HOUR METER
50	712257	1	INDICATOR LIGHT, RED(FS)
51	045898	1	IGNITION SWITCH
52	786657	1	CABLE, CHOKE
53	767954	12	FW 0.379X.82X.06 HD ZN
54	055822	4	CS .375-16X0.75 HX G5 ZN
55	601094	1	CABLE, THROTTLE
56	125471-1	1	TOWER, W/A
57	000331	4	WIRE TIE, SMALL/SHORT
58	601053	2	RELAY, SEALED W/BRACKET
59	114052	1	KIT, CLUTCH CONN. REP.



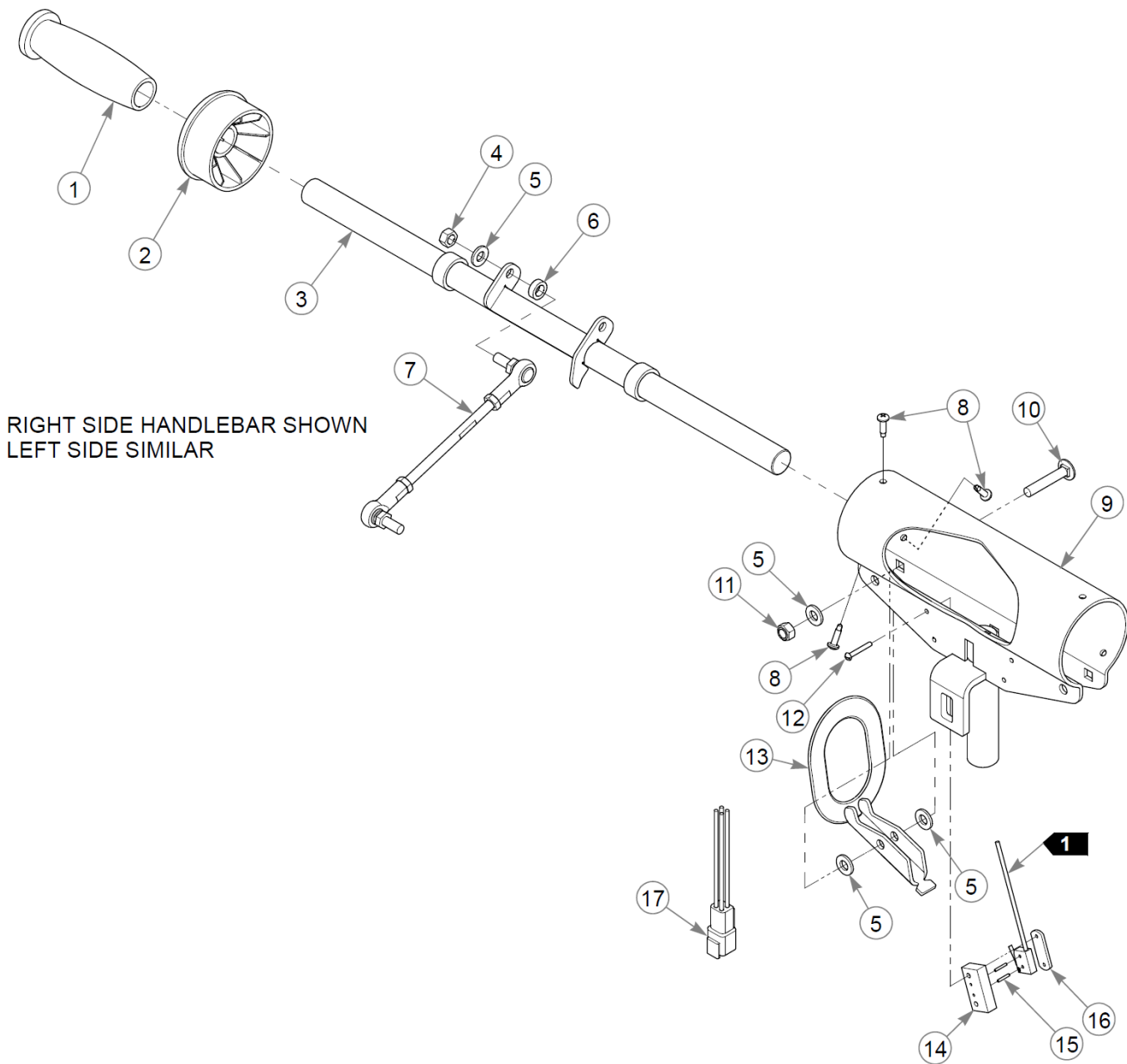
Cette page intentionnellement laissée vierge



Instrument Panel (Multi-Page)

Comments for Page: Instrument Panel (Multi-Page)

1. 119748 includes 604448, which can be purchased separately.
2. Torque to 20 N•m.
3. Part of the operator presence control harness.
4. Part of the wire harness.
5. The console includes the decals.
6. The sealed relay includes a bracket.



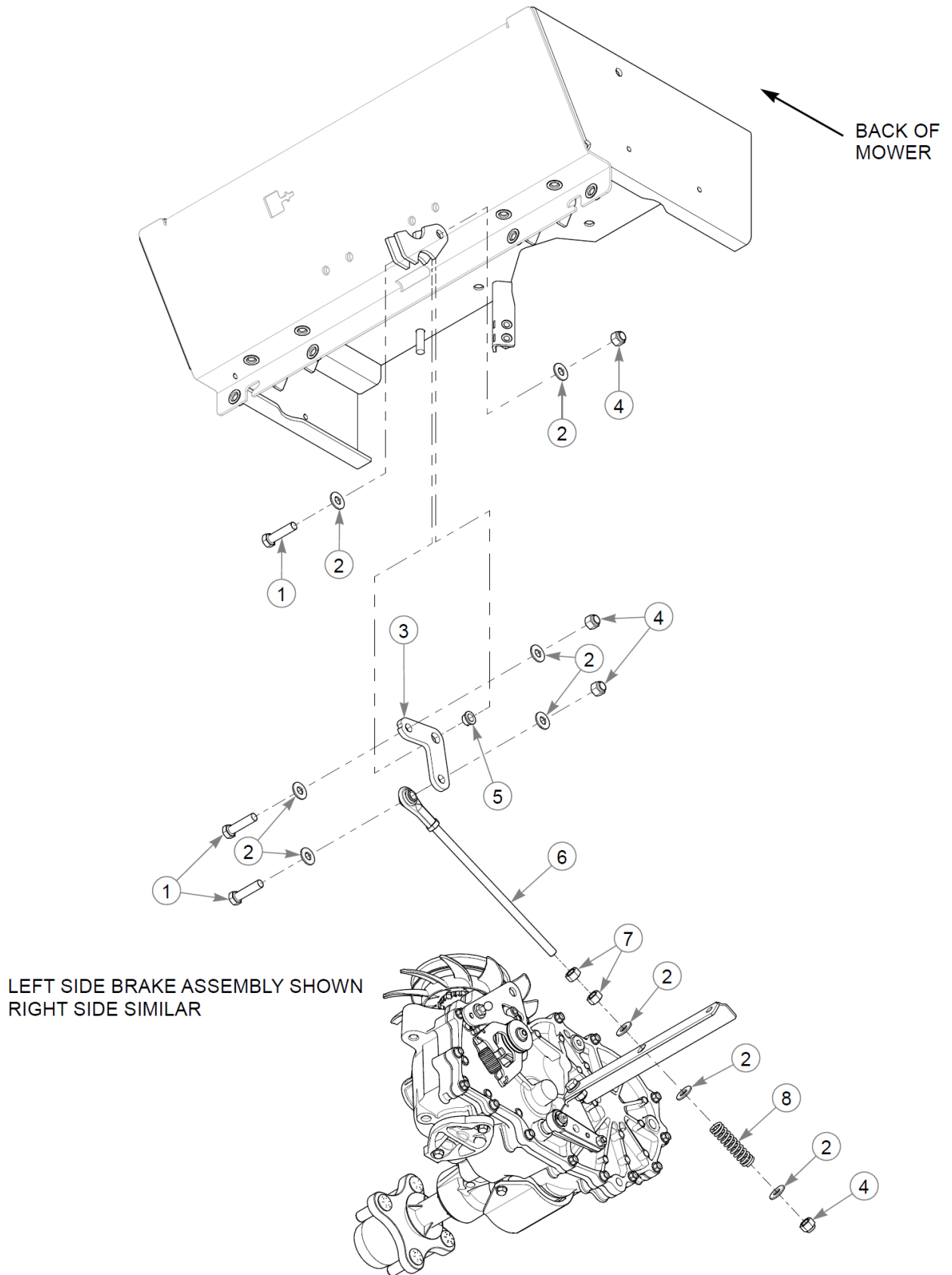
Handlebar - Steering Sub-Assembly

Élément	Numéro de pièce	Qté	Nom
1	771139	2	GRIP, .834 - .4563 BLK
2	773556	2	BEARING, STEERING
3	110766	1	STEERING BAR W/A
4	041152	2	NT 0.312-24 HX G8
5	768523	8	FW 0.343SAE
6	601839	2	PIVOT SPACER BUSHING
7	785766	2	STEERING ROD, ADJUSTER
8	606926	6	SC #10-24x0.750BH
9	110641	1	STEERING COVER W/A
10	779157	2	CB .312-18X1.750
11	058776	2	NT .312-18NLG5
12	077842	4	MS#6-32X1.000RDSL
13	341826	2	ARM, OPC W/A WB
14	342378	2	SPACER, SWITCH WB
15	779165	4	RP0.078X 0.50 ZN
16	039693	2	WN #6-32 X 1.00 TP 1116
17	601972	1	WIRE HARNESS, OPC TS

Comments for Page: Handlebar - Steering Sub-Assembly

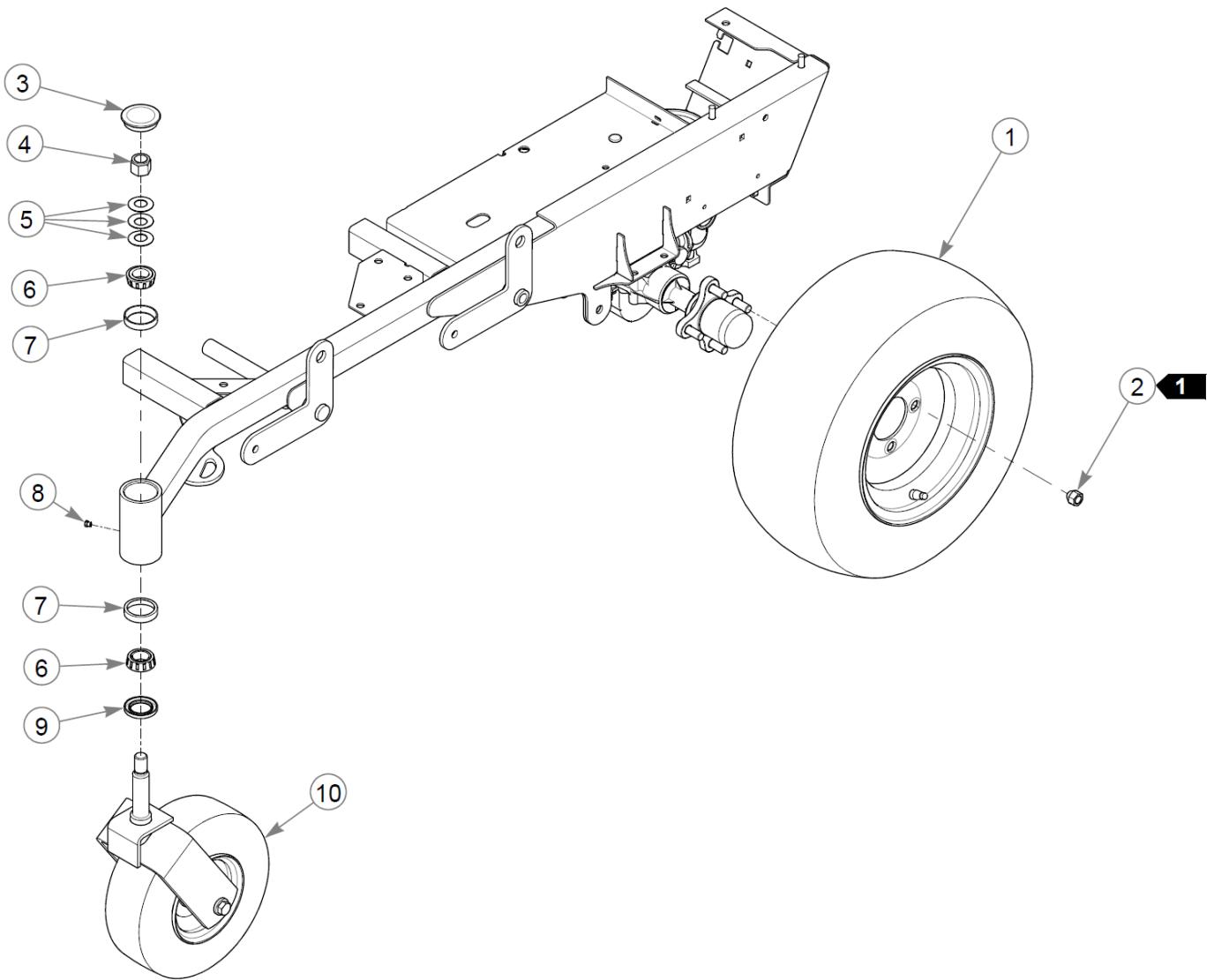
1. Part of the wire harness.

Brake



Brake

Élément	Numéro de pièce	Qté	Nom
1	080655	3	CS .375-16X1.500HXG5
2	767954	9	FW 0.379X.82X.06 HD ZN
3	124380-3	1	LOWER BRAKE BELLCRANK
4	086660	4	NT .375-16NLG8
5	765339	1	BUSHING,IGUS#0608 (FS)
6	601710	1	LOWER BRAKE ROD ASSY
7	054502	2	NT .375-16HXG5
8	784421	1	SPRING, SUPPLIER # 2512



Wheels & Tires

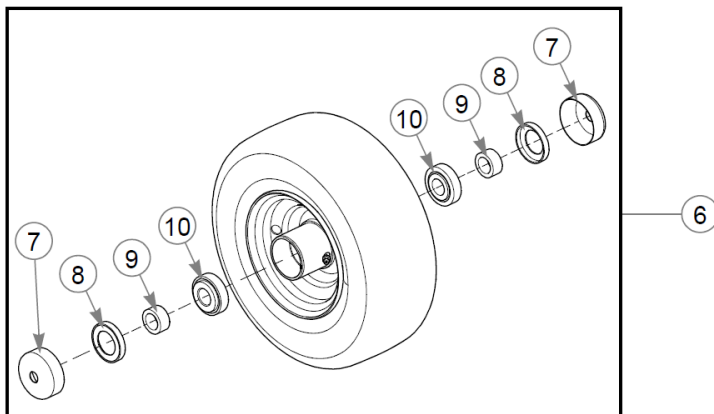
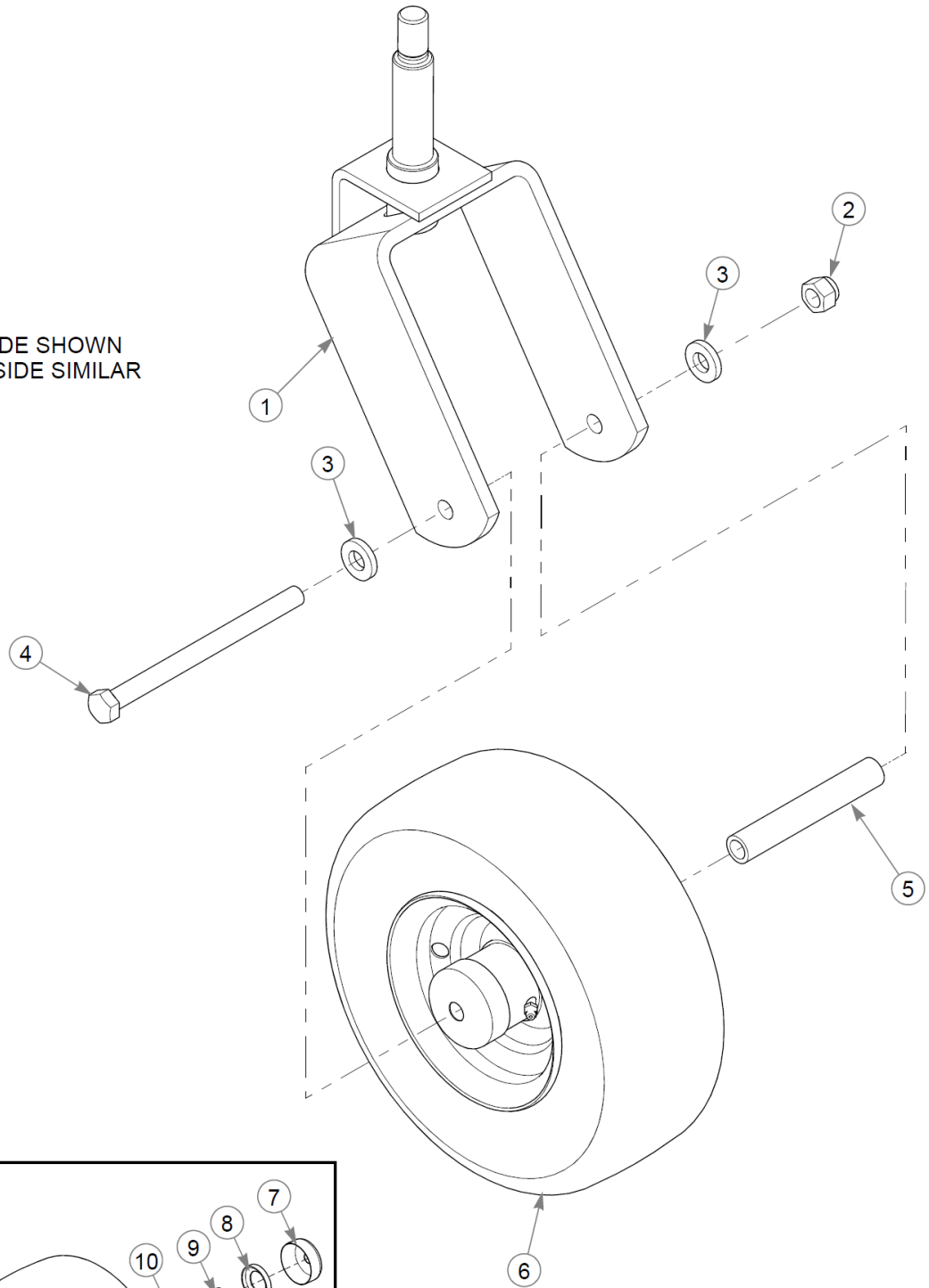
Élément	Numéro de pièce	Qté	Nom
1	600676	2	TIR/WHL 20X8.00-10 SLV
2	061077	8	WHEEL NUT
3	606711	2	DUST CAP
4	061101	2	NT .750-10 HX ZN NL GR B
5	606715	6	CW 0.766 X 1.50 X .093
6	606712	4	BEARING, TAPERED ROLLER
7	606713	4	RACE, TAPERED ROLLER
8	606817	2	GREASE PLUG
9	606714	2	SEAL, 1.25 X 1.98
10		2	REFER TO "FRONT WHEEL ASSEMBLY"

Comments for Page: Wheels & Tires

1. Torque to 88–102 N•m.

Front Wheel Assembly

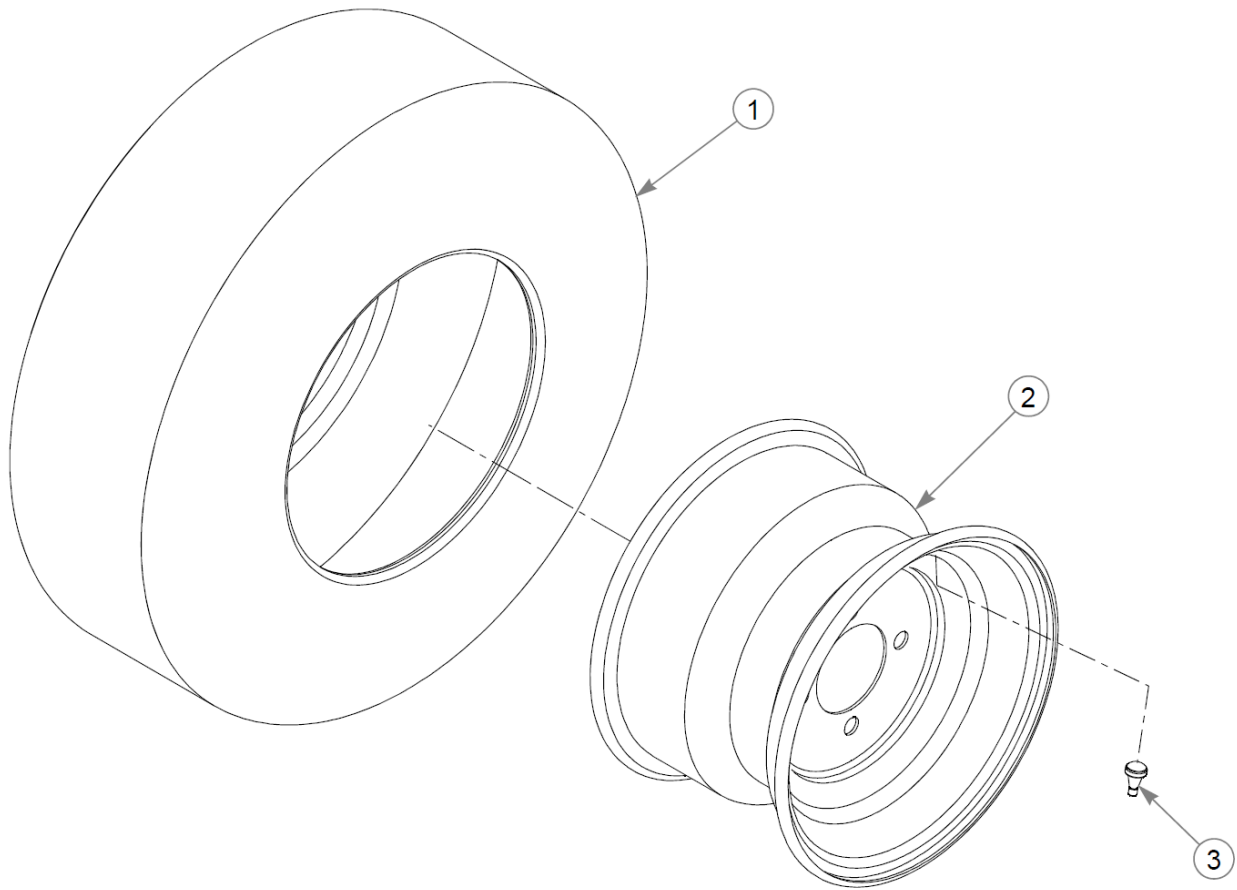
LEFT SIDE SHOWN
RIGHT SIDE SIMILAR



Front Wheel Assembly

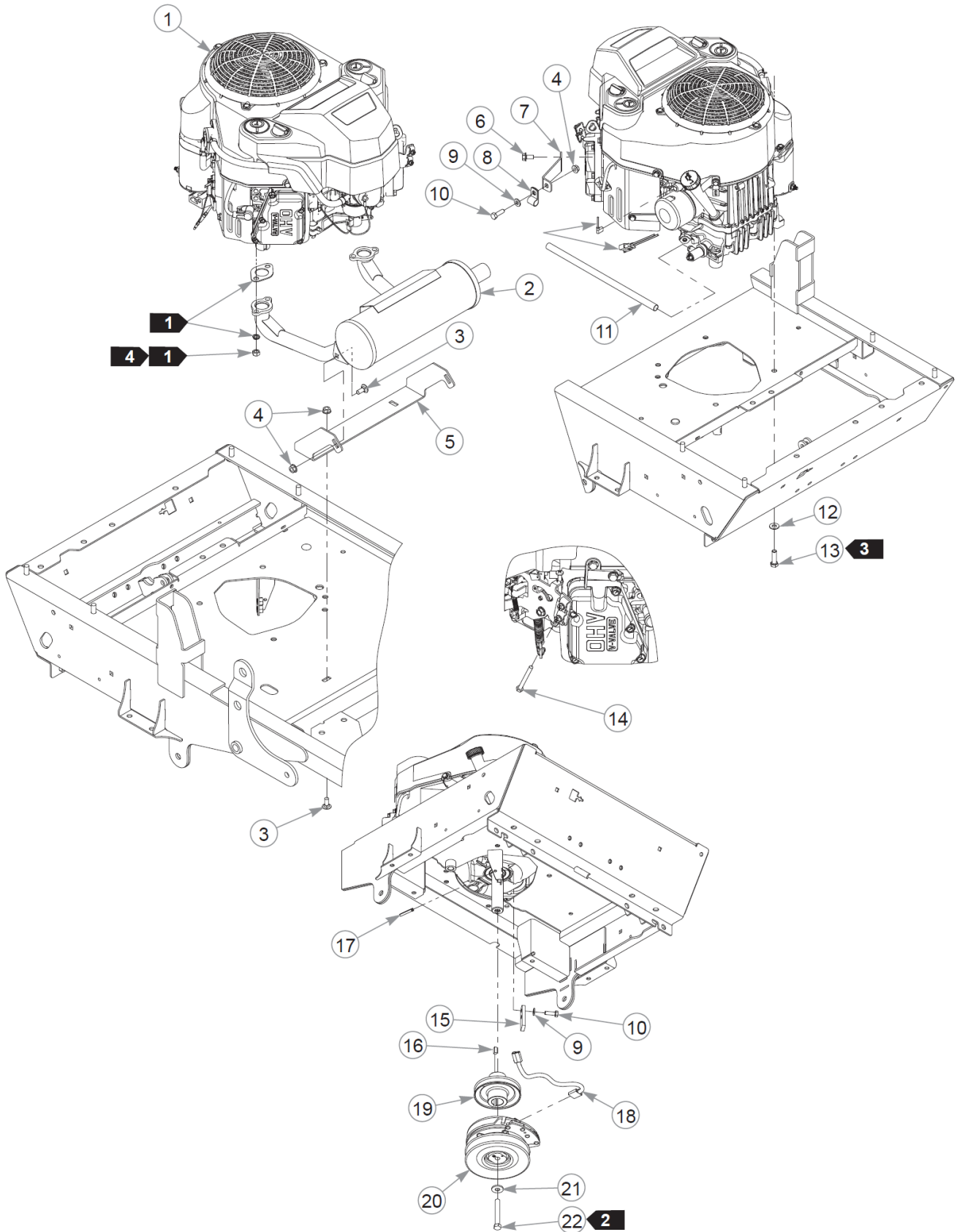
48" TrimStar Parts Manual - 939504CE - HTTSRS048KAWFS600VC

Élément	Numéro de pièce	Qté	Nom
1	125825-1	1	FORK W/A
2	781567	1	NT .500-13NLG5
3	767962	2	FW .531 x 1.063 x .175
4	042630	1	CS .500-13X6.500HXG5
5	306969	1	GAGE WHEEL SPACER
6	606740	1	TIR/WHL 11X4.00-5 SLV
7	606779	2	DUST CAP, 0.502 ID
8	606780	2	SEAL
9	606778	2	SPACER, 0.531
10	606753	2	BEARING, TAPERED ROLLER

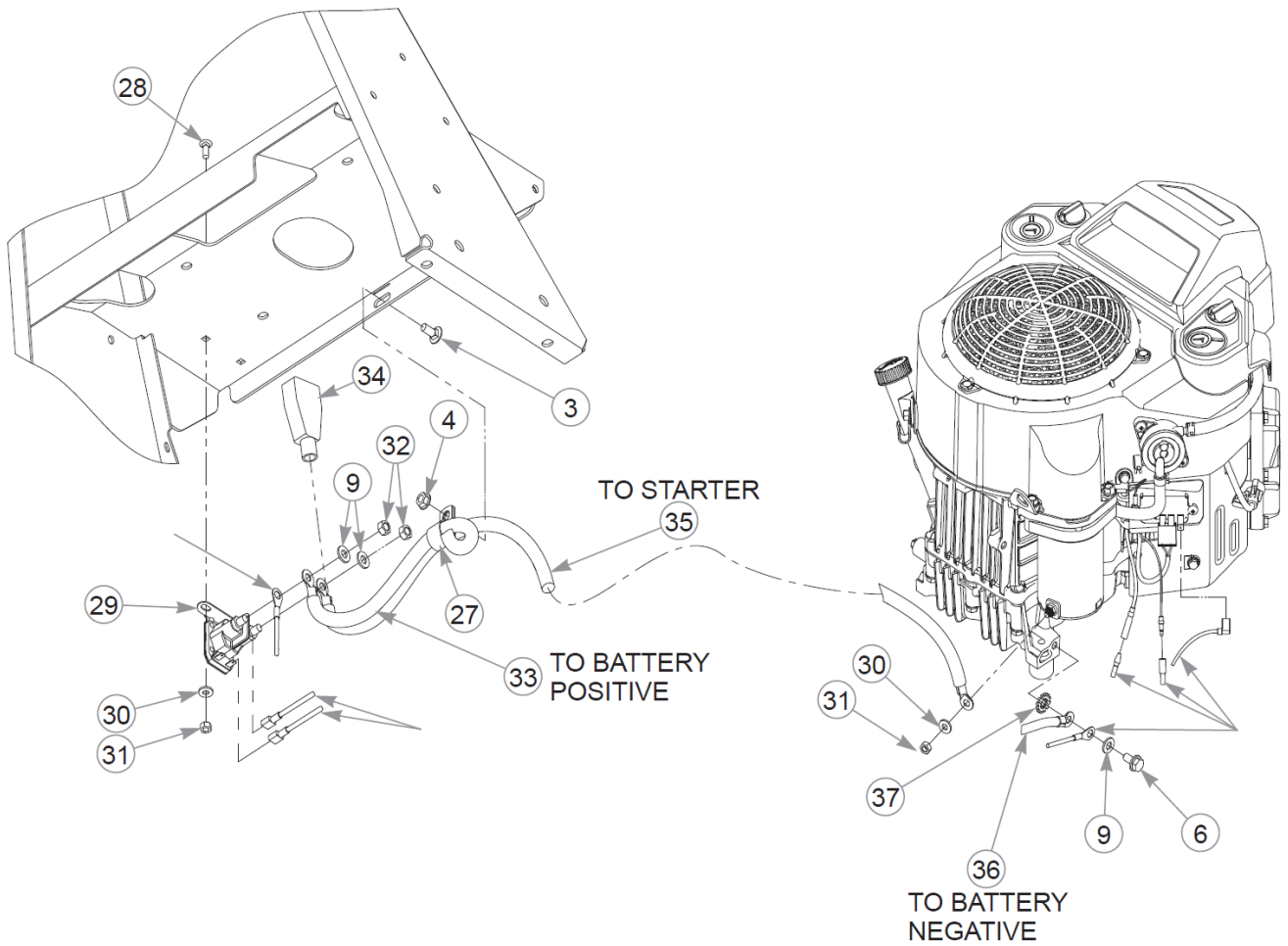
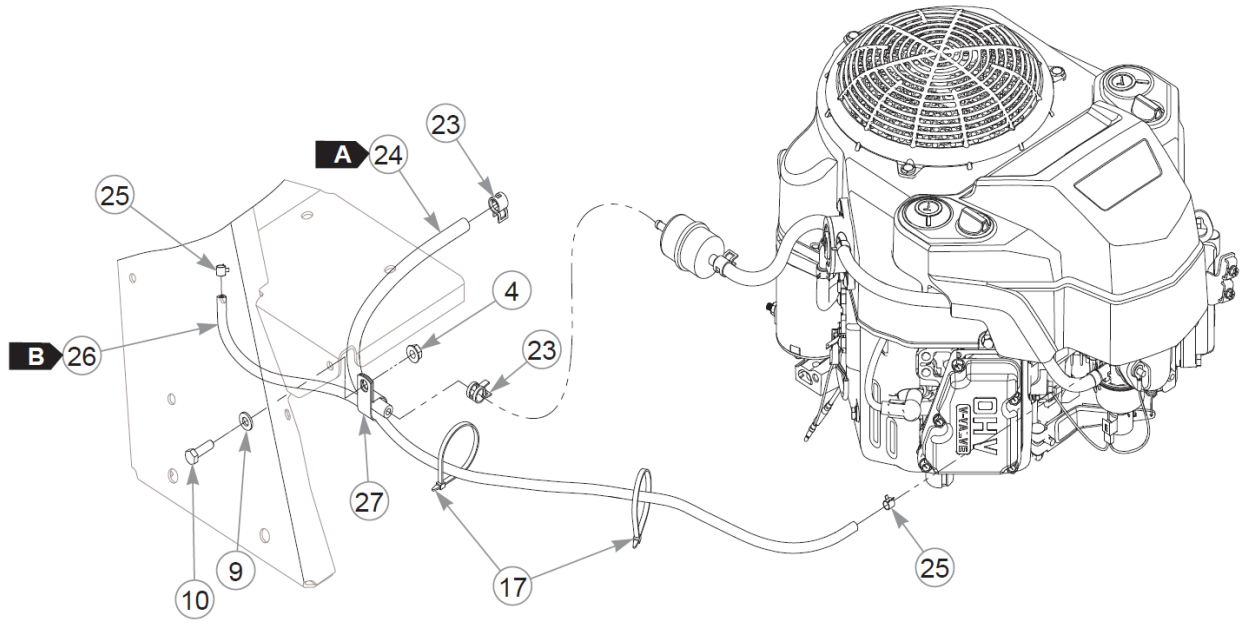


Drive Wheel Breakdown

Élément	Numéro de pièce	Qté	Nom
1	600692	1	TIR 20X8.00-10 B4R GRMR
2	600718	1	WHL 10X7.00 4X4.0 SLV
3	019521	1	TIRE VALVE TR-412 GOODY



Élément	Numéro de pièce	Qté	Nom
1		1	ENGINE, KAW FS600V
2	603187	1	MUFFLER, FS600V TRIMSTAR
3	016253	5	CB .312-18X .750 FUL ZN
4	016832	7	NT .312-18FLKG5
5	124363-1	1	MUFFLER MOUNT
6	720516	3	CS M8-1.25X16HX FL10.9
7	113970	1	CABLE GUIDE
8	000398	1	CLAMP - 50 CNT BAGS
9	768523	7	FW 0.343SAE
10	036236	4	CS .312-18X1.000HXG5
11	604463	1	HOSE, OIL DRAIN
12	767954	4	FW 0.379X.82X.06 HD ZN
13	602580	4	CS .375-16X1.25HXG8ZYP85
14	603524	1	CS M5-0.8 X 50 MM
15	124466-1	1	CLUTCH ANCHOR
16	712372	1	KEY 1/4 SQ X 0.66 LG(FS)
17	000331	3	WIRE TIE, SMALL/SHORT
18	791251	1	HARNESS, CLUTCH PIGTAIL
<p>Commentaires pour le numéro de pièce 791251</p> <p>Pigtail was updated with epoxy to hold the wires steady. The wire sheath was also updated to a more flexible material.</p>			
19	607494	1	PULLEY - ENGINE
20	607495K	1	KIT - CLUTCH
21	602680	1	FW .453X1.12X.12 HRD ZN
22	785048	1	CS .437-20X3.00 HXG5 P85
23	000323	2	CLIP, HOSE CLAMP
24	015818	12.5"	FUEL LINE, 1/4"
<p>Commentaires pour le numéro de pièce 015818</p> <p>Sold by the foot.</p>			
25	603112	2	CLAMP, 3/16 FUEL
26	603326	34"	VAPOR LINE, 3/16"
<p>Commentaires pour le numéro de pièce 603326</p> <p>Sold by the foot.</p>			
27	043570	2	CLIP - HOSE - SINGLE(FS)



Élément	Numéro de pièce	Qté	Nom
28	601503	2	CB .250-20 X .625 ZN
29	606445	1	STARTER SOLENOID
30	768515	3	FW 0.281SAE
31	024927	3	NT .250-20HXG5
32	041152	2	NT 0.312-24 HX G8
33	602099	1	BATTERY CABLE, POS.
34	771428	1	BATTERY CBL BOOT-RED(FS)
35	601062	1	BATTERY CABLE, POS.
36	601841	1	BATTERY CABLE, NEG.
37	029876	1	LW .312 INTEXT ZN

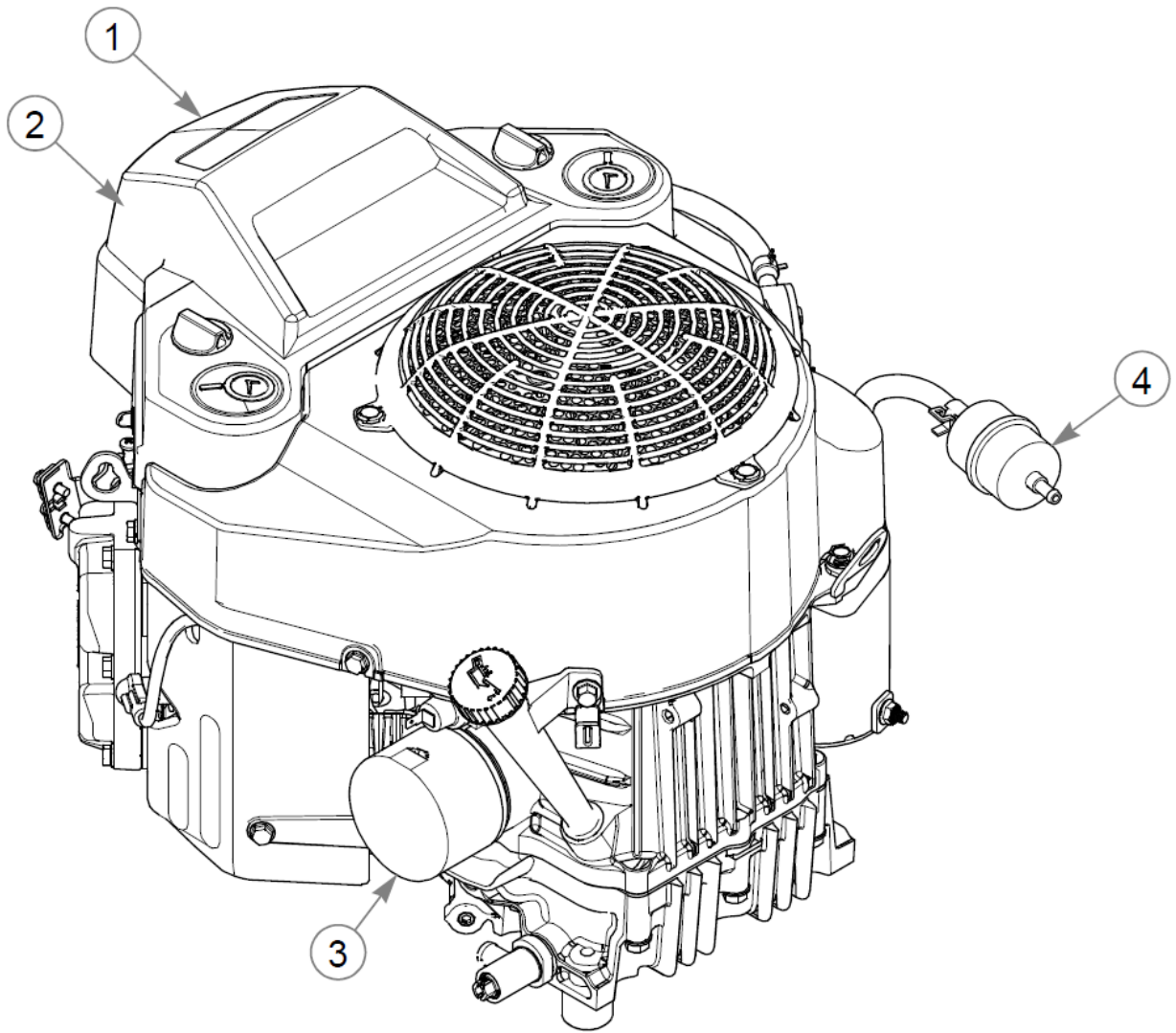
Comments for Page: Engine, Muffler & Clutch (Multi-Page)

1. Supplied with the engine.
2. Torque to 61–65 N•m. Replace (do not reuse) the cap screw if it is removed or loosened. Use only hand tools to install this fastener.
3. Torque to 41 N•m. Replace (do not reuse) the cap screw if it is removed or loosened. Use only hand tools to install this fastener.
4. Torque to 23 N•m.

FUEL & VAPOR LINE LENGTHS

A: 32 cm FUEL FILTER TO TANK (FUEL)

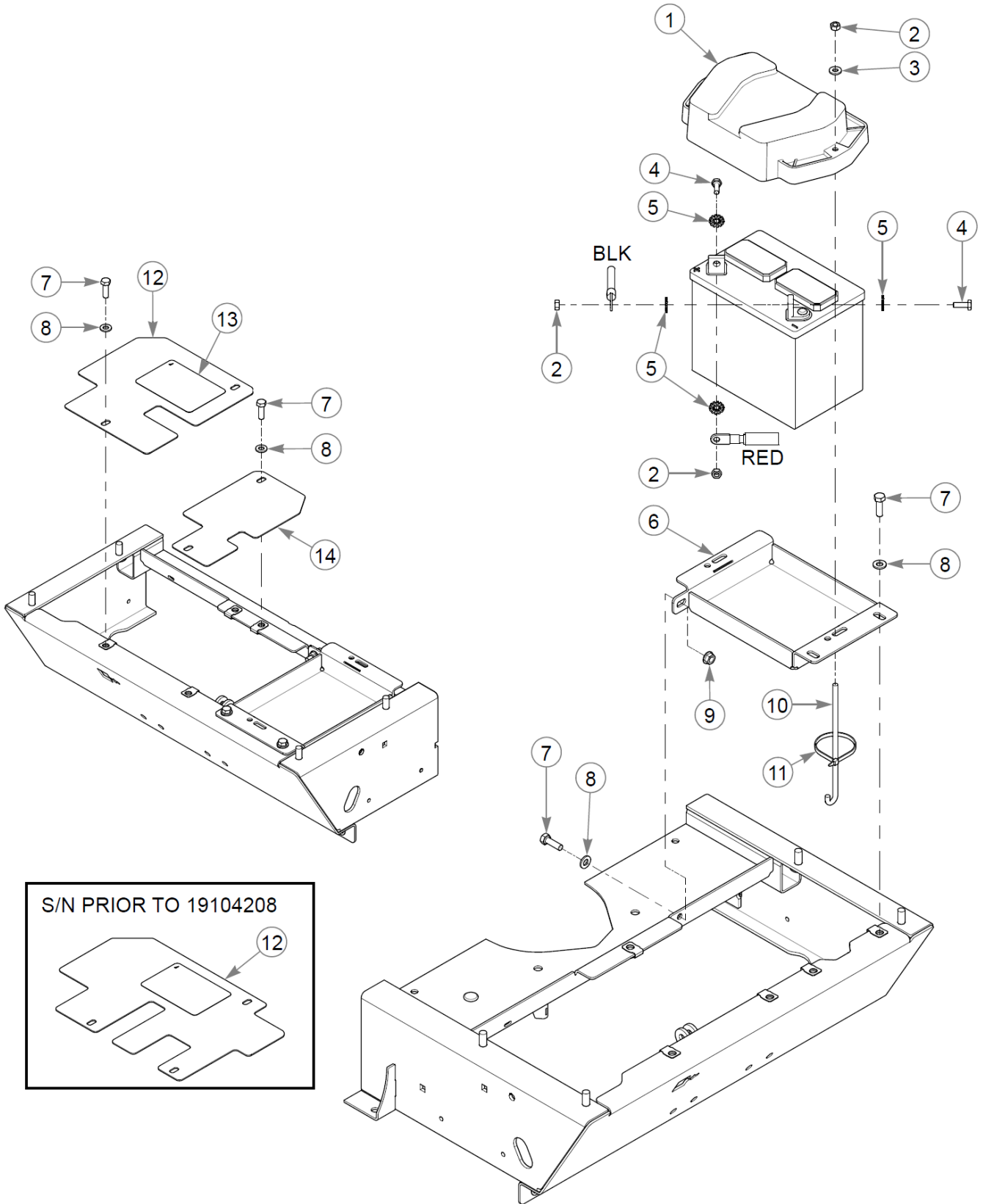
B: 86 cm ENGINE PURGE PORT TO VACUUM BREAKER (VAPOR)



Engine Service Parts

Élément	Numéro de pièce	Qté	Nom
1	603058	1	PRE FILTER, KAW
2	603059	1	AIR FILTER - MAIN
3	602581	1	ENGINE OIL FILTER
4	068478	1	FUEL FILTER - IN LINE

Battery

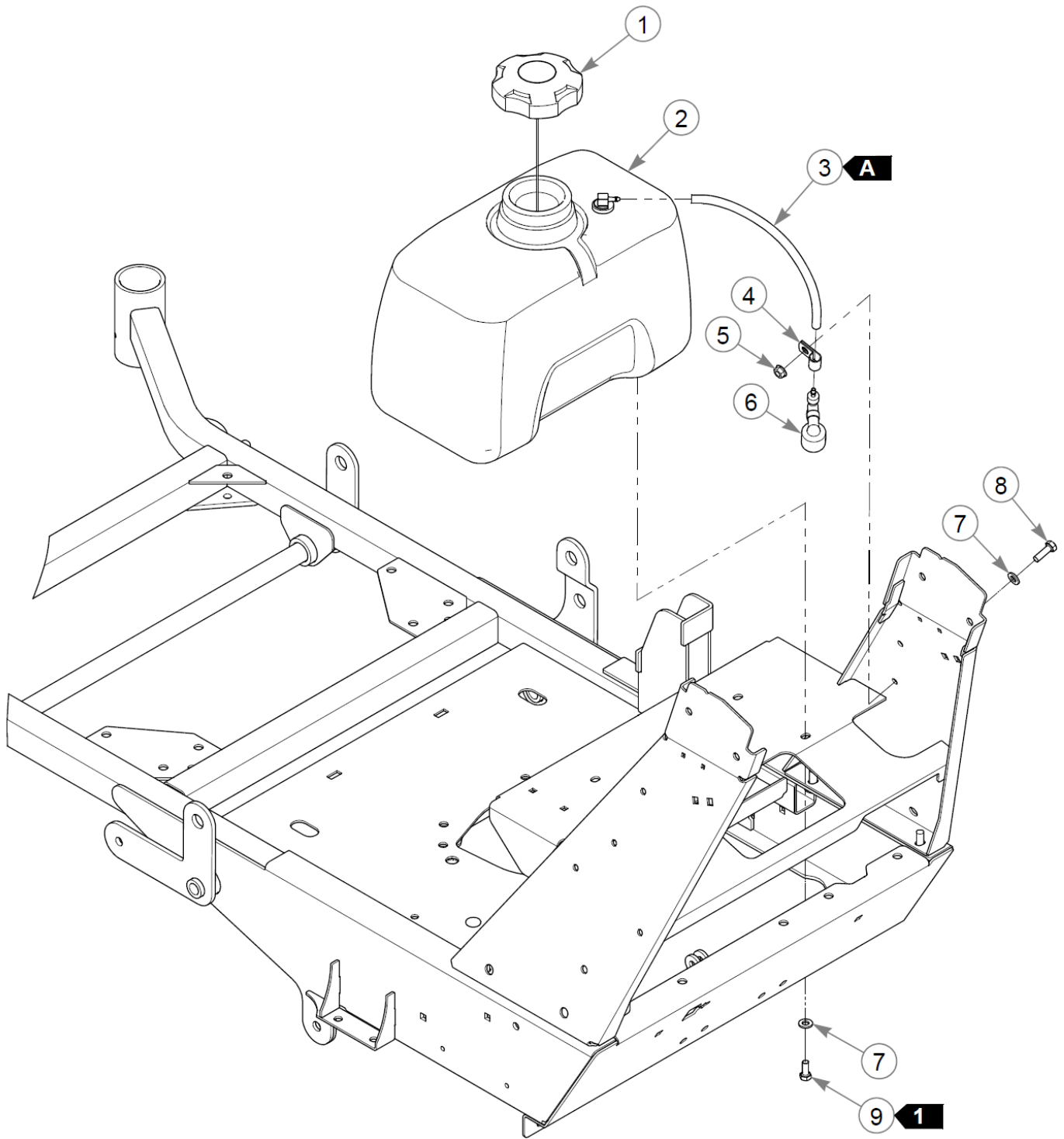


Battery

Élément	Numéro de pièce	Qté	Nom
1	607066	1	BATTERY COVER
2	024927	4	NT .250-20HXG5
3	768515	2	FW 0.281SAE
4	055939	2	CS .250-20X0.75 HX G5 ZN
5	029868	4	LW .250 INTEXT ZN
6	125501-1	1	BATTERY TRAY
7	036236	6	CS .312-18X1.000HXG5
8	768523	6	FW 0.343SAE
9	016832	1	NT .312-18FLKG5
10	793489	2	BATTERY CLAMP ROD
11	000331	1	WIRE TIE, SMALL/SHORT
12	555318	1	SVC, PULLEY COVER
Not Shown	555174	1	SVC, PULLEY COVER, 48-60
13	601815	1	DECAL, BATTERY WARNINGS
14	126105-1	1	COVER, RH

Comments for Page: Battery

1. The pulley cover includes the decal.



Fuel System

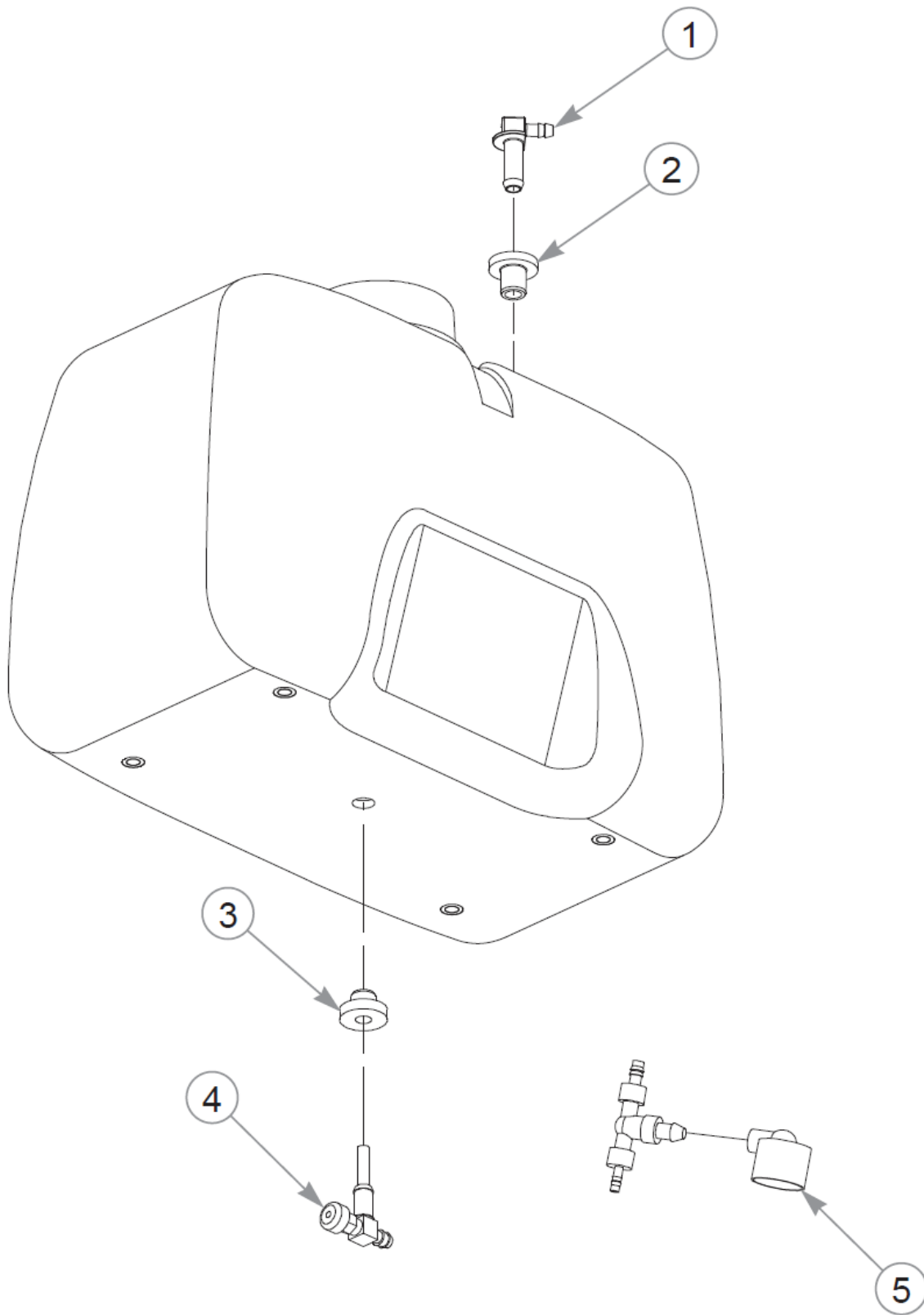
Élément	Numéro de pièce	Qté	Nom
1	602916	1	CAP, 3.5" RATCHETING GAS
2	605097	1	TANK, UNIVERSAL
3	603326	14"	VAPOR LINE, 3/16"
<p>Commentaires pour le numéro de pièce 603326</p> <p>Sold by the foot.</p>			
4	000398	1	CLAMP - 50 CNT BAGS
5	016832	1	NT .312-18FLKG5
6	604305	1	VACUUM BREAKER
Not Shown	603161	1	VACUUM BREAKER FILTER
7	768523	5	FW 0.343SAE
8	036236	1	CS .312-18X1.000HXG5
9	034280	4	CS .312-18X0.750HXG5

Comments for Page: Fuel System

1. Torque to 7 ft-lbs.

LINE LENGTHS

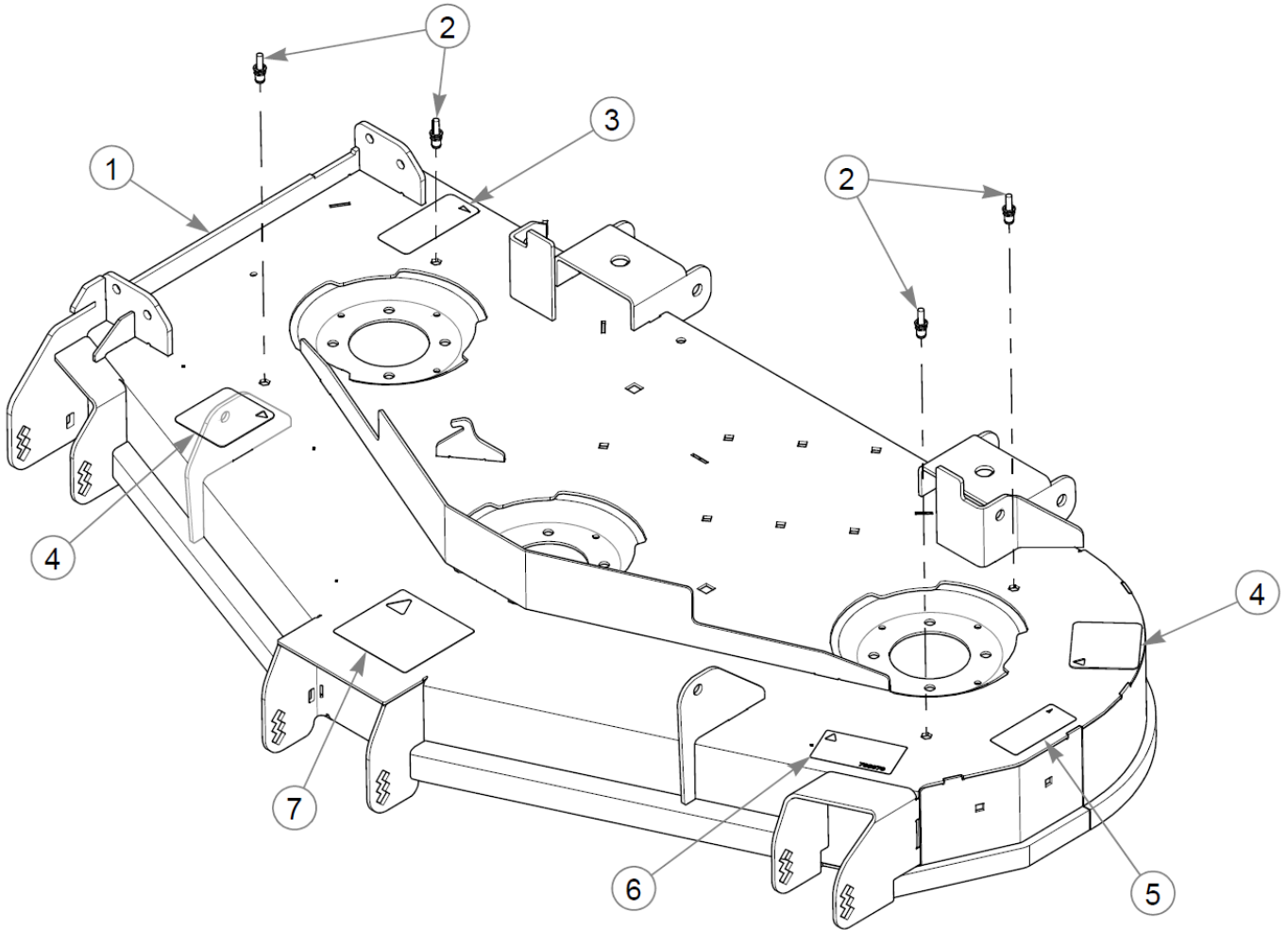
A: 14" TANK TO VACUUM BREAKER (VAPOR)



Fuel Tank Service Parts

48" TrimStar Parts Manual - 939504CE - HTTSRS048KAWFS600VC

Élément	Numéro de pièce	Qté	Nom
1	604287K	1	SVC KIT, VENT FITTING
2	604200K	1	SVC KIT, GROMMET
3	785295K	1	SVC KIT, TANK GROMMET
4	783944K	1	SVC KIT, FUEL VALVE
5	603161	1	VACUUM BREAKER FILTER

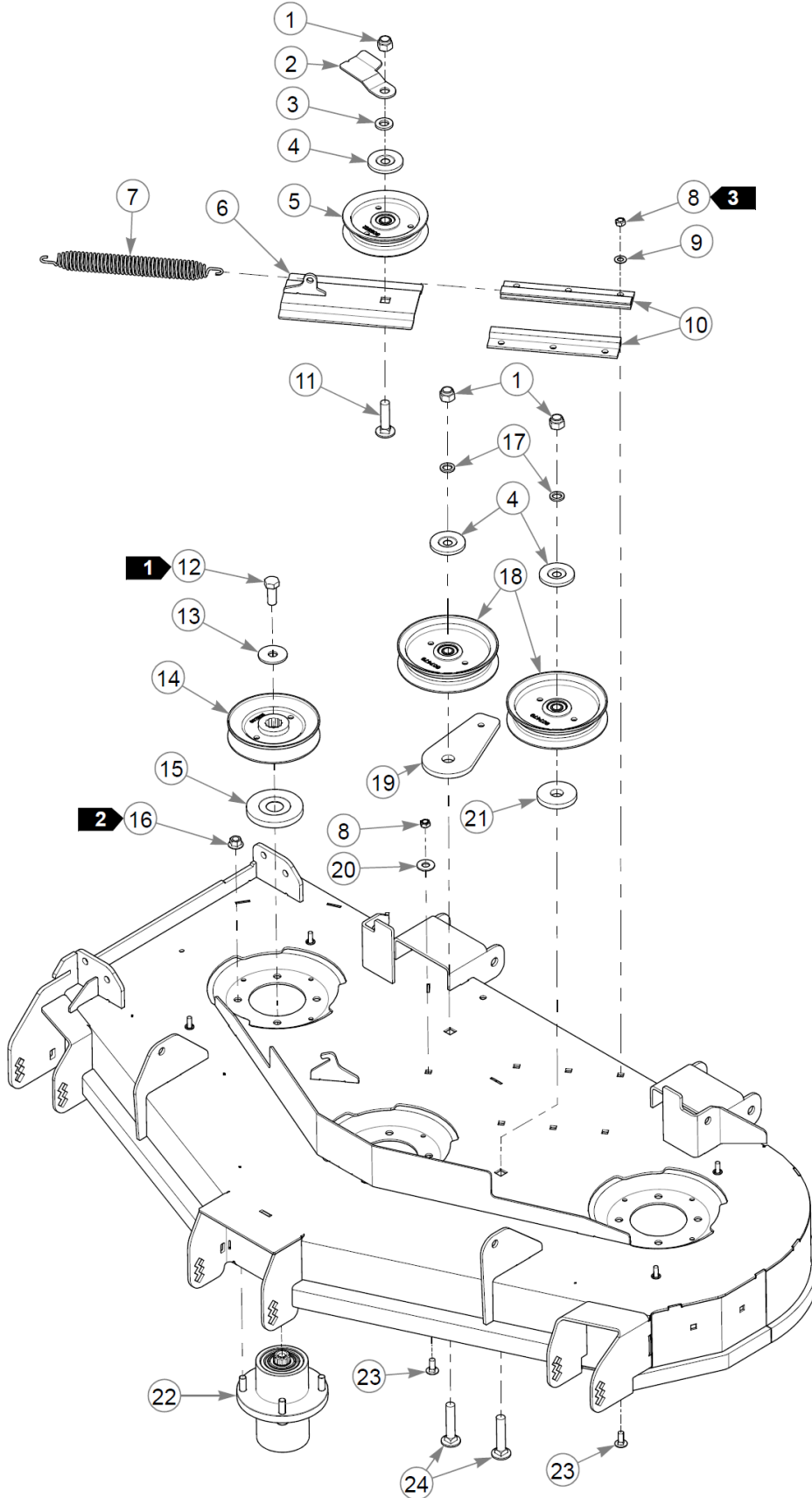


Service Deck

Élément	Numéro de pièce	Qté	Nom
1	555067	1	SVC, DECK DECAL 48" SD
2	607583	4	0.25-20 X 0.625
3	601796	1	DECAL, TRIMSTAR
4	601787	2	DECAL, TRIMSTAR
5	601931	1	DECAL, THROWN OBJECTS
6	793976	1	DECAL,48"DECK ID
7	781419	1	DECAL, BELT ROUTING

Comments for Page: Service Deck

1. The deck includes the decals and hardware.

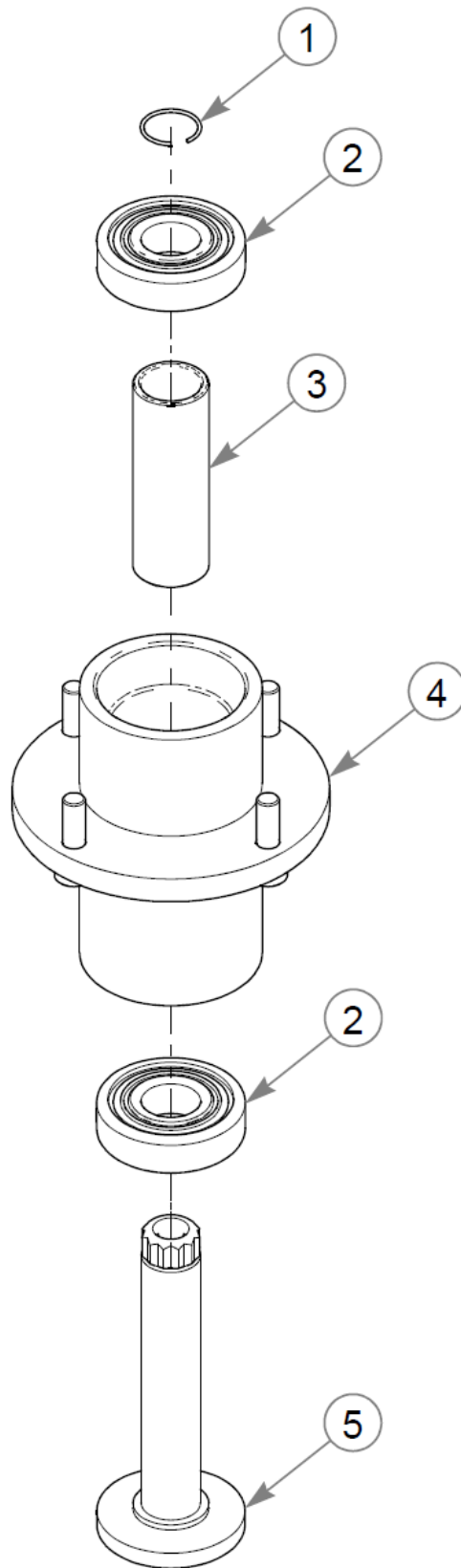


Deck Pulleys & Spindles

Élément	Numéro de pièce	Qté	Nom
1	781567	3	NT .500-13NLG5
2	125847-4	1	BELT GUIDE, 4.00" IDLER
3	607428	1	FW 0.531 X 0.90 X 0.134
4	605467	3	DUST SHIELD
5	605512	1	4" IDLER PULLEY
6	121052	1	SLED, TENSIONER
7	607616	1	SPRING, DECK IDLER
8	604251	7	NT .312-18 HXNL JAM G2ZN
9	604252	6	FW .340X.68X.04 ZN
10	604790	2	IDLER SLIDE, EXTRUDED
11	604253	1	CB .50-13 X 2.00 STD ZN
12	705954	3	CS .500-13X1.25 HX G5 ZN
13	798603	3	FW .515X1.65X.12 HD ZN
14	607505	3	PULLEY, B-SEC 4.784" EOD
15	606362	3	DUST SHIELD
16	604515	12	NT .375-16 FL NY GF
17	604486	2	FW .531X.812X.089 HD
18	607479	2	IDLER PULLEY, 5.00"
19	605465	1	BASE, IDLER PULLEY MOUNT
20	017129	1	FW .440X1.00X0.08 ZN
21	605508	1	FW .73X2.25X.31 ZN
22	607208	3	BLADE SPINDLE ASSY
23	016253	7	CB .312-18X .750 FUL ZN
24	604254	2	CB .50-13 X 2.50 STD ZN

Comments for Page: Deck Pulleys & Spindles

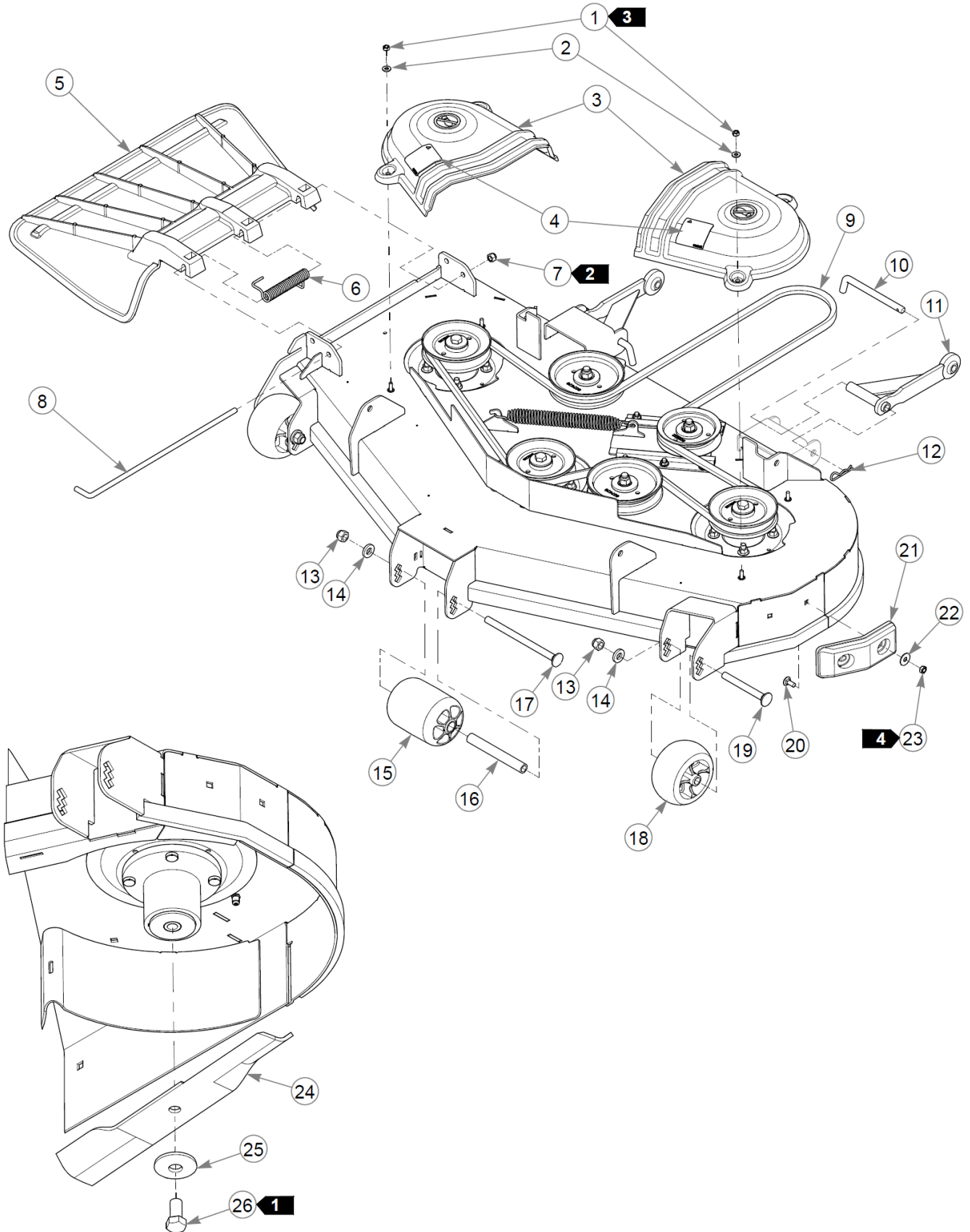
1. Torque to 99 N•m.
2. Torque to 41 N•m.
3. Torque to 4–8 N•m.



Spindle Service Parts - 607208

48" TrimStar Parts Manual - 939504CE - HTTSRS048KAWFS600VC

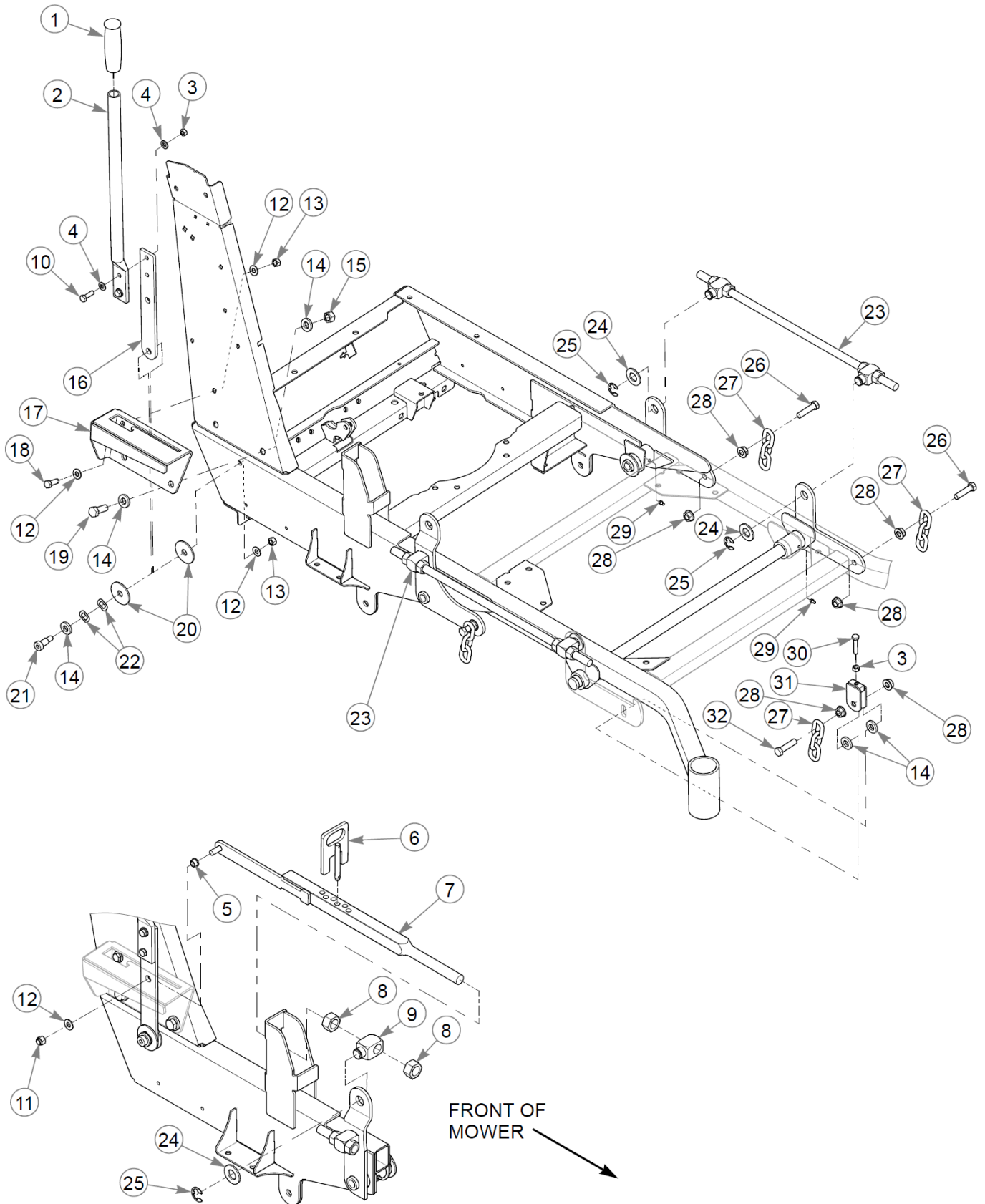
Élément	Numéro de pièce	Qté	Nom
1	783548	1	RING, BLADE SPINDLE RET
2	607275	2	BLADE SPINDLE BEARING
3	607210	1	BLADE SPINDLE SPACER
4	607417	1	SVC, SPINDLE HOUSING
5	607211	1	BLADE SPINDLE SHAFT



Élément	Numéro de pièce	Qté	Nom
1	068551	4	NT .250-20 HXZY NL
2	768515	4	FW 0.281SAE
3	553531	2	SVC PULLEY COVER,
4	602562	2	DECAL, NO SERVICE
5	605469	1	DISCHARGE CHUTE
6	602435	1	SPRING, TORSION
7	086660	1	NT .375-16NLG8
8	602432	1	PIN, CHUTE
9	601969	1	DECK BELT
10	604658	2	PIN, PULLER
11	116336	2	PUSHER W/A
12	017301	2	HP .125 X2.375 ZN
13	781567	3	NT .500-13NLG5
14	767962	3	FW .531 x 1.063 x .175
15	602341	1	WHEEL, ANTI-SCALP
16	602344	1	SPACER, ANTI- SCALP 5.73
17	602338	1	CB .50-13 X 7.50 STD ZN
18	604780	2	WHEEL, ANTI-SCALP
19	602339	2	CB .50-13 X 4.50 STD ZN
20	016253	2	CB .312-18X .750 FUL ZN
21	605376	1	DECK BUMPER
22	079210	2	FW 0.344X1.0X0.06 ZN
23	604251	2	NT .312-18 HXNL JAM G2ZN
24	606252	3	BLADE, 16.5"-H-F-CW
Not Shown	795757	3	BLADE, F16.50"-H-F-CW
Not Shown	601014	3	BLADE, F16.50"-L-F-CW
Not Shown	601123	3	BLADE, 16.50"-L-F-CW
25	782474	3	CW .678 X 2.250 X .187
26	781872	3	CS .625-11X1.250HXG5

Comments for Page: Deck, Deck Belt & Blades

1. Torque to 160 N•m.
2. Do not torque; the discharge chute must pivot freely.
3. Torque to 1.7 N•m.
4. Torque to 4–8 N•m.



Élément	Numéro de pièce	Qté	Nom
1	792317	1	GRIP,1.000 X 4.562 BLK
2	110570	1	DECK LIFT HANDLE
3	034272	3	NT .312-18HXG5
4	768523	4	FW 0.343SAE
5	765339	1	BUSHING,IGUS#0608 (FS)
6	348284	1	STOP, HEIGHT ADJ W/A
7	110529	1	DECK INDICATOR W/A
8	008417	2	NT .750-10HXG5
9	781930	1	BLOCK, DECK LIFT MT 3/4"
10	036236	2	CS .312-18X1.000HXG5
11	086660	1	NT .375-16NLG8
12	767954	4	FW 0.379X.82X.06 HD ZN
13	054502	2	NT .375-16HXG5
14	767962	11	FW .531 x 1.063 x .175
15	008193	2	NT .500-13HXG5
16	110530	1	LOWER HANDLE
17	555173	1	SVC, TRANSPORT BRACKET
18	036244	1	CS .375-16X1.00 HX G5 ZN
19	705954	2	CS .500-13X1.25 HX G5 ZN
20	263517	2	BEARING DISC .531 ID
21	728550	1	SB .50X.75SH .375-16TD
22	601953	2	WASHER, WAVY .558x1.005
23	601942	2	DECK LIFT ROD N/SPRING
24	601681	5	FW .781X1.50X.12 ZN
25	781294	5	CLIP E, 1.00 X.625X .05
26	055749	7	CS .437-14X1.750HXG5
27	360131	4	CHAIN, DECK LIFT
28	704643	16	NT .437-14FLKG5
29	015495	4	GREASE FITTING STRAIGHT
30	756270	1	CS .312-18X1.500HXG5
31	348458	1	YOKE W/A, DECK LEVELER
32	781831	1	CS .437-14x1.75 FULTHG5
33	008573	2	CS .500-13X2.500HXG5
34	781567	2	NT .500-13NLG5

