

Hustler® Parts Manual



HUSTLER®
TURF EQUIPMENT

200 South Ridge Road

Hesston, Kansas

67062



NOTICE OF REQUIREMENT OF SPARK ARRESTER MUFFLER

This equipment may create sparks that can start fires around dry vegetation. California Public Resources Code Section 4442.6 provides that it is unlawful to use or operate an internal combustion engine on any forest-covered, brush-covered, or grass-covered land unless the engine is equipped with a spark arrester maintained in effective working order. A spark arrester is a device constructed of nonflammable materials specifically for the purpose of removing and retaining carbon and other flammable particles over 0.0232 of an inch in size from the exhaust flow of an internal combustion engine that uses hydrocarbon fuels or which is qualified and rated by the United States Forest Service. Other states or federal areas may have similar laws. The Operator Should Contact Local Fire Agencies For Laws or Regulations Relating to Fire Prevention Requirements. **THIS EQUIPMENT DOES NOT HAVE A SPARK ARRESTER AND YOU SHOULD CONTACT YOUR AUTHORIZED DEALER FOR THE PURCHASE OF A SPARK ARRESTER.**

Inspect spark arrester daily; replace every 500 hours or as needed.

The Engine Owner's Manual provides information regarding the U.S. Environmental Protection Agency (EPA) and the California Emission Control Regulation of emission systems, maintenance and warranty.

Keep Engine Owner's Manual with your unit. Should the Engine Owner's Manual become damaged or illegible, replace immediately. Replacements may be ordered per the information found in the Product Information section of the owner's manual.

Federal law and California State law prohibit the following acts or the causing thereof:

1. The removal or rendering inoperative by any person other than for purposes of maintenance, repair, replacement, of any device or element of design incorporated into any equipment for the purposes of emissions control prior to or after its sales or delivery to the ultimate purchaser or while it is in use, or
2. The use of the equipment after such device or element of design has been removed or rendered inoperative by any person.

General Information	1
Frame & Engine Guard	
Frame	3-1
Engine Guard	3-2
Transmissions, Drive Belt, Steering & Brake	
Hydraulic System & Drive Belt	4-1
Transmission Service Parts	4-2
Steering	4-3
Steering Cover Assembly (Multi-Page)	4-4
Left Steering Box Assembly	4-5
Right Steering Box Assembly	4-6
Brake	4-7
Wheels & Tires	
Wheel & Tire	5-1
Front Wheel Assembly Breakdown	5-2
Drive Wheel Breakdown	5-3
Engine, Muffler, Clutch & Fuel System	
Engine & Muffler (Multi-Page)	6-1
Engine Service Parts - FX850V	6-2
Fuel System	6-3
Fuel Tank Service Parts - 606433 & 606434	6-4
Instrument Panel, Wire Harness & Battery	
Battery	7-1
Instrument Panel & Wire Harness	7-2
Deck, Deck Belt, Blades & Deck Lift	
Service Deck	8-1
Deck Pulleys & Spindles - S/N 20100048 & HIGHER	8-2
Deck Pulleys & Spindles - S/N PRIOR TO 20100048	8-3
Spindle Assembly Service Parts - 607407	8-4
Dust Shield	8-5
Deck, Pulley Covers, Belt, & Blades (Multi-Page)	8-6
Deck Lift & Deck Height (Multi-Page)	8-7
Seat & ROPS	
Seat & Floor Pan	9-1
Seat Service Parts - S/N 19080324 & HIGHER	9-2
Seat Service Parts - 607458 - S/N 19056562 - 19080323	9-3
Seat Service Parts - 607096 - S/N PRIOR TO 19056562	9-4
ROPS	9-5

General Information

Note: When ordering parts, you must use the part number as shown for each part, not the index number. Always give the model and serial number to your parts and service representative.

Note: Items sold in bulk such as seals and hoses are sold by the foot.

Using This Manual

This manual is part of a service package for the Hustler® mowers. Use of this manual in conjunction with other Hustler® mower and component manuals will provide the information necessary to service and maintain Hustler® mowers.

This Parts Manual provides a complete parts listing for the unit. Use this manual when ordering parts. Illustrations used were current at the time of printing, but subsequent production changes may cause your machine to vary slightly in detail. Excel Industries, Inc. reserves the right to redesign and change the machine as deemed necessary, without notification. If a change has been made to your machine which is not reflected in this parts manual, see your authorized dealer for current information and parts.

The Service Manual is a service guide for use by Service Technicians. It provides the necessary information needed to perform normal maintenance requirements on these units.

The Operator's Manual provides fundamental operational information and operational safety that is needed when operating the mower.

The component manuals are furnished by the various manufacturers to be used for the troubleshooting and servicing of their products.

Hardware Description Codes & Abbreviations

The following codes are used throughout this parts manual. Refer to this list when ordering parts.

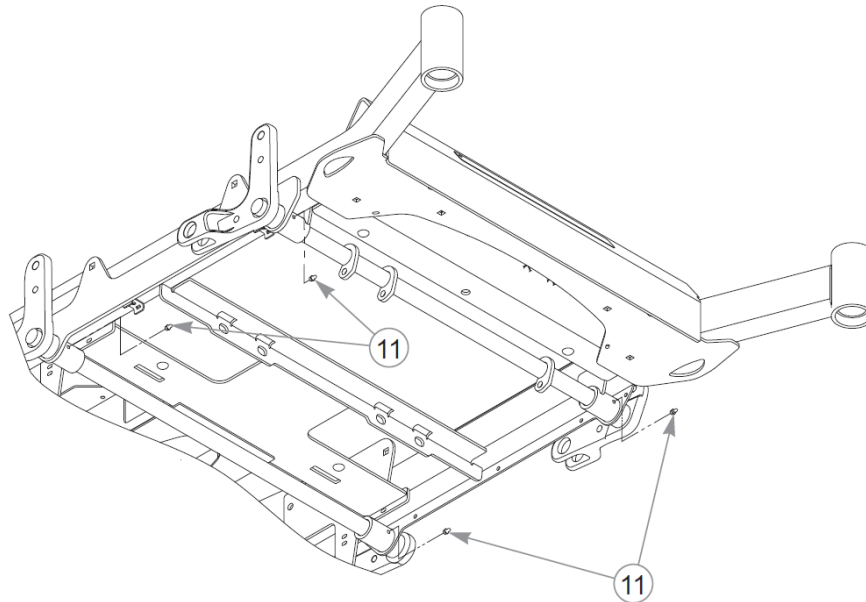
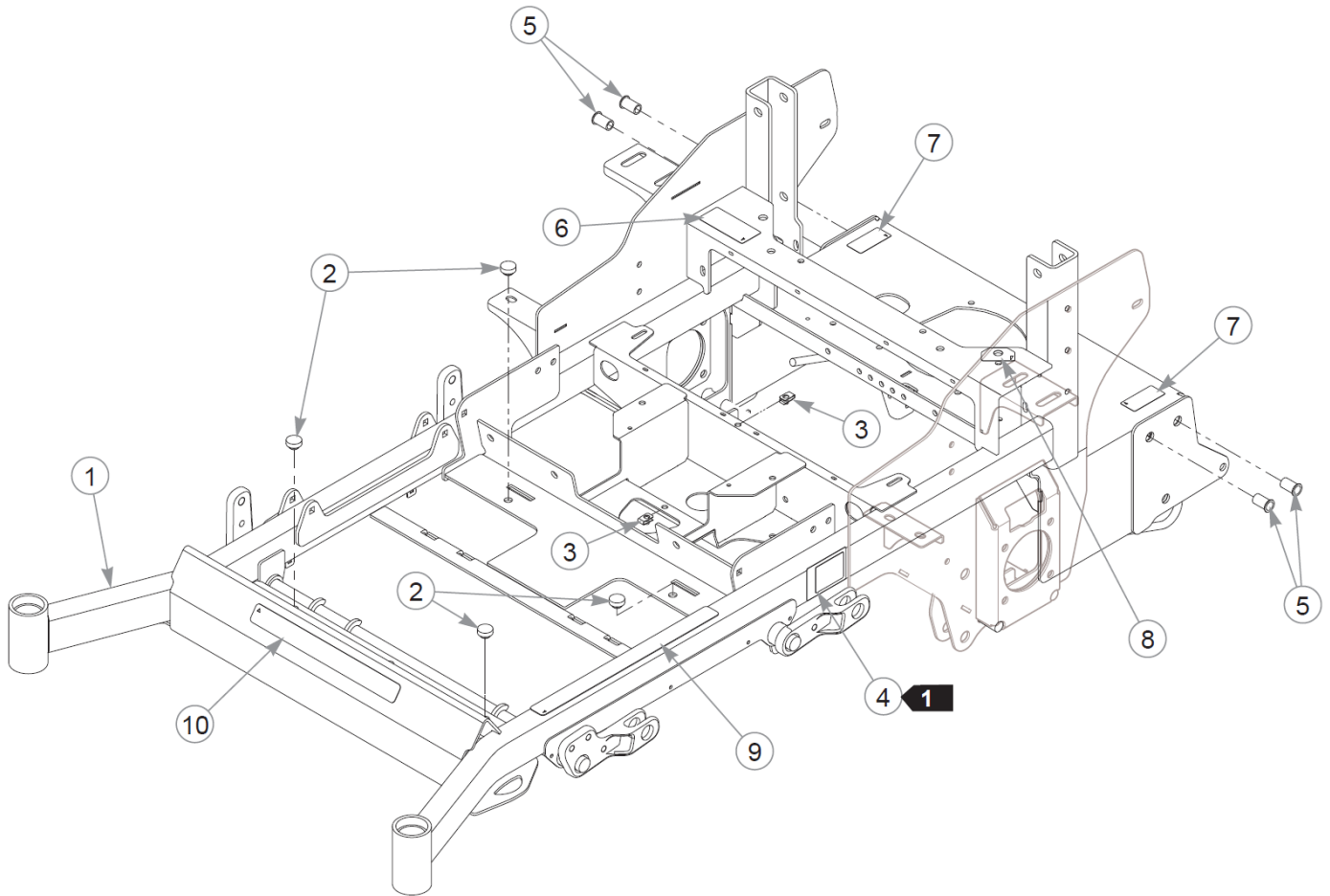
ABBREVIATION	DESCRIPTION	ABBREVIATION	DESCRIPTION
CB	CARRIAGE BOLT	MB	MACHINE BUSHING
CE	CLEVIS PIN	MS	MACHINE SCREW
CN	CLIP NUT	NT	NUT
CP	COTTER PIN	SC	SELF TAPPING CAP SCREW
CS	CAP SCREW	SH	SOCKET HEAD
CW	CUP WASHER	SB	SHOULDER BOLT
FDRW	FENDER WASHER	SS	SET SCREW
FW	FLAT WASHER	OD	OUTSIDE DIAMETER
HX	HEX HEAD	ID	INSIDE DIAMETER
LW	LOCK WASHER	WN	WELD NUT

Standard Torques

The following chart lists the standard torque values for the threaded fasteners found in this manual. Torque all cap screws, nuts and set screws to these values unless a different torque is shown in the Notes section next to the fastener.

SIZE	FT-LBS	N•M	SIZE	FT-LBS	N•M
.250	8.2	11.1	M3	1	1.3
.312	17	23	M4	2.2	3
.375	30	40	M5	4.5	6.1
.438	48	65	M6	7.7	10.4
.500	73	99	M8	18.5	25
.562	105	143	M10	37	50
.625	145	200	M12	64	87
.750	260	350	M14	80	108.5
.875	420	565	M16	160	215
1.00	625	850	M20	320	435
			M24	555	750

This page intentionally left blank



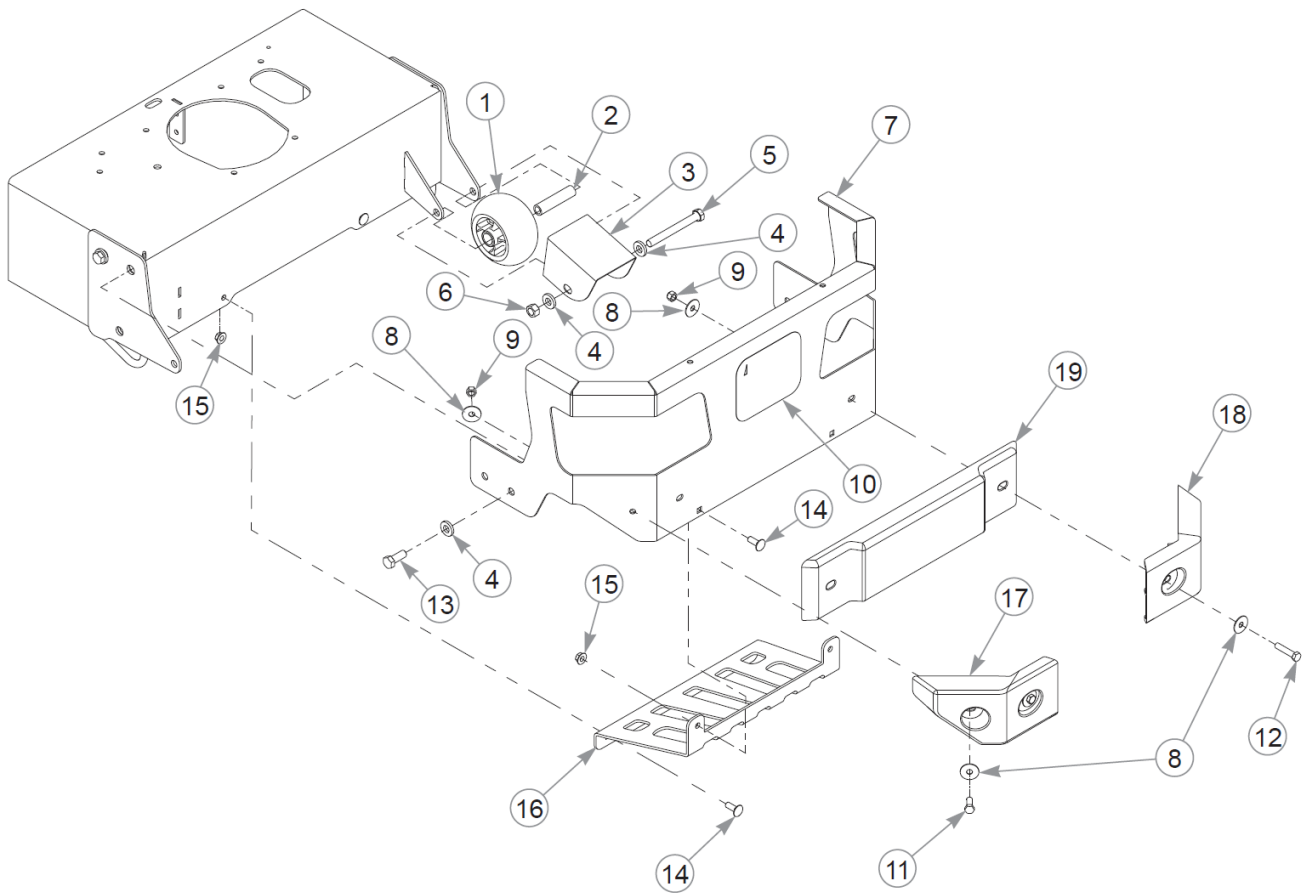
Frame

Item	Part No.	Qty	Name
1	554281	1	SVC FRAME
2	781880	4	BUMPER, .500x 1.00x .31
3	601982	2	CN .250-20X .150 MAX THK
4	N/A	1	SERIAL NUMBER / SPEC DECAL
5	600961	4	RIVET NUT, 1/2-13 THREAD
6	601967	1	DECAL, ENGINE COMPART
7	602041	2	DECAL, HOT
8	791848	1	DECAL, FUEL INDICATOR- M
9	601993	1	DECAL, SAFE OPERATION
10	602407	1	DECAL, HUSTLER ID
11	015495	4	GREASE FITTING STRAIGHT

Comments for Page: Frame

1. Serial number decal. In the event the serial number decal becomes damaged or illegible, please contact your dealer to order a replacement.
2. The frame includes the decals and hardware.

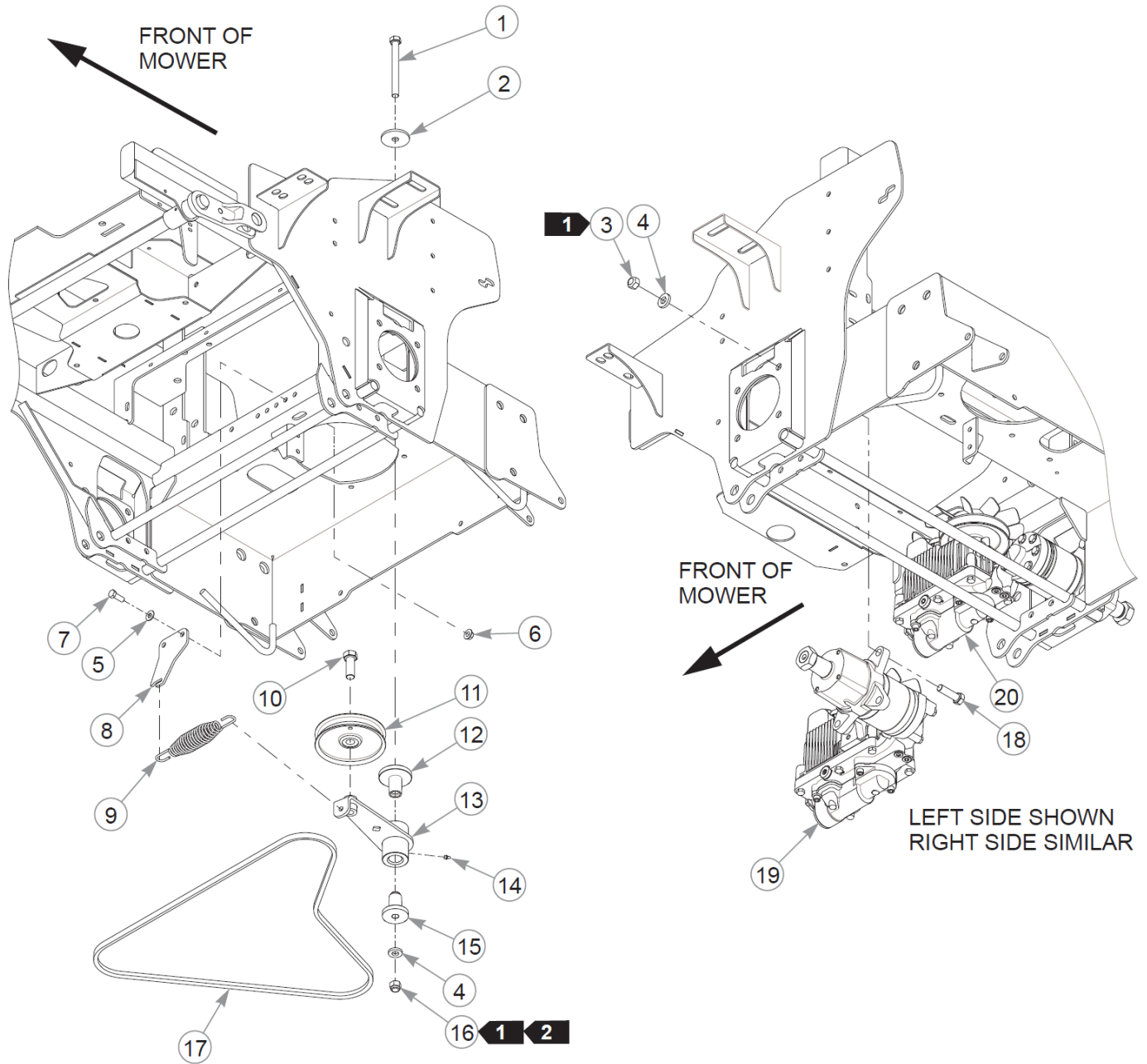
Engine Guard



Engine Guard

54" RD X-ONE Parts Manual - 938928CE - HTX1TR054KAWFX850VC

Item	Part No.	Qty	Name
1	602263	2	WHEEL, ANTI-SCALP
2	602345	2	SPACER, ANTI-SCALP 3.22
3	377994	2	HEAT SHIELD, MMZ ROLLER
4	767962	8	FW .531 x 1.063 x .175
5	068239	2	CS .500-13X4.500HXG5
6	008193	2	NT .500-13HXG5
7	554288	1	SVC, ENGINE GUARD X1
8	705137	8	FW 0.391X1.25X.06 ZN
9	086660	4	NT .375-16NLG8
10	606807	1	DECAL, H LOGO
11	036244	2	CS .375-16X1.00 HX G5 ZN
12	705178	2	CS .375-16X1.750HXG5
13	705954	4	CS .500-13X1.25 HX G5 ZN
14	025395	4	CB .375-16X 1.00 G5 ZN
15	016899	4	NT .375-16 FLKG5
16	606483	1	MUFFLER GUARD
17	606658	1	PLASTIC BUMPER, LH
18	606659	1	PLASTIC BUMPER, RH
19	606657	1	PLASTIC BUMPER, CENTER



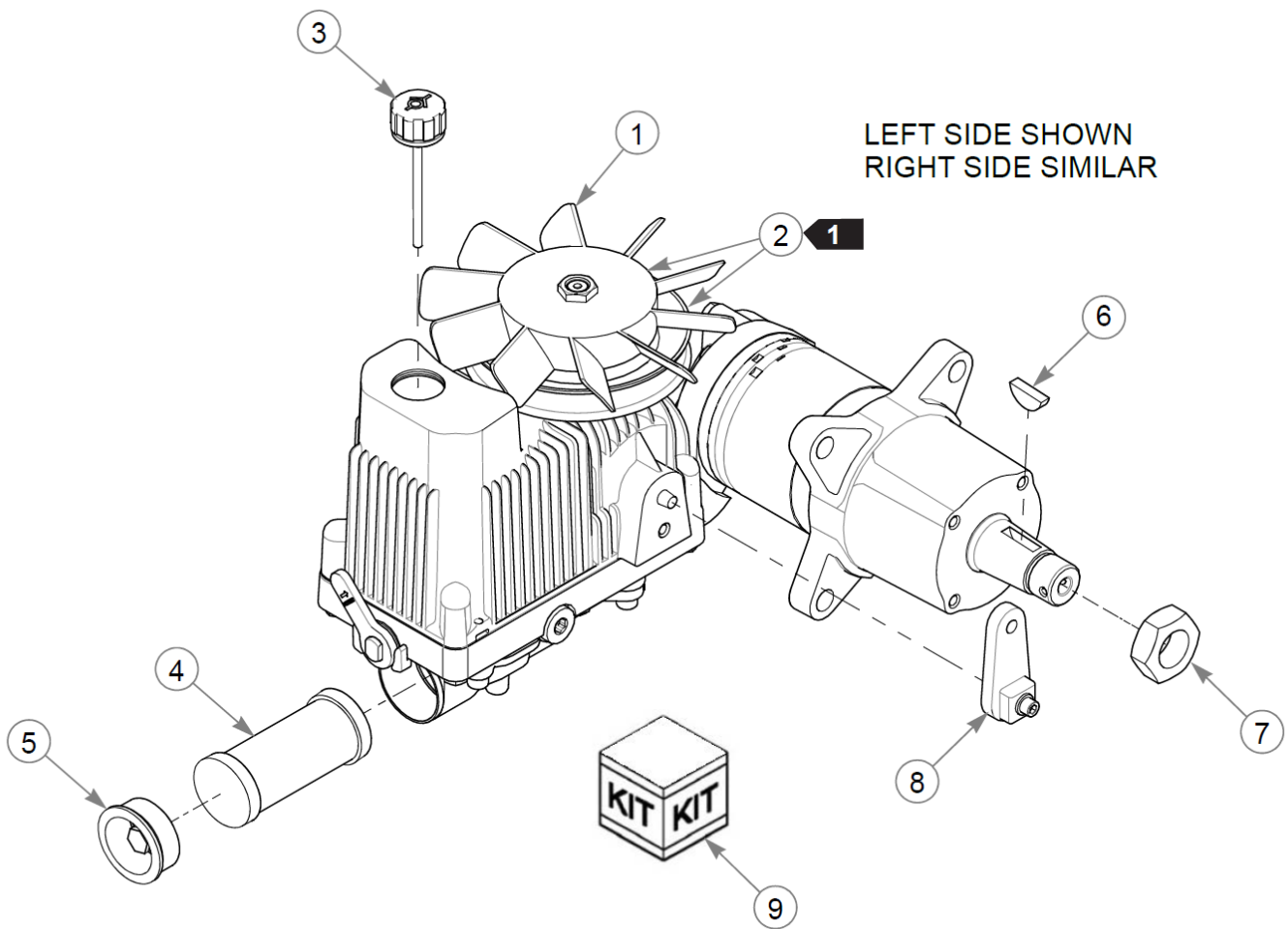
Hydraulic System & Drive Belt

54" RD X-ONE Parts Manual - 938928CE - HTX1TR054KAWFX850VC

Item	Part No.	Qty	Name
1	051151	1	CS .500-13X5.000HXG5
2	344267	1	FW .510X2.15X.19 ZN
3	023317	8	NT .500-13UNTG8
4	767962	9	FW .531 x 1.063 x .175
5	767954	2	FW 0.379X.82X.06 HD ZN
6	016899	2	NT .375-16 FLKG5
7	036244	2	CS .375-16X1.00 HX G5 ZN
8	124432-1	1	IDLER SPRING MOUNT
9	781302	1	IDLER SPRING
10	025007	1	CS .62511X1.750HXG5
11	602304	1	PULLEY, 5" FLAT IDLER
12	602880	1	BUSHING, IDLER PIVOT
13	122905	1	TENSIONER W/A
14	015495	1	GREASE FITTING STRAIGHT
15	602879	1	BUSHING, IDLER PIVOT
16	781567	1	NT .500-13NLG5
17	606411	1	DRIVE BELT
18	017616	8	CS .500-13X1.750HXG5
19	606401	1	TRANSMISSION, PARKER HTJ
20	606402	1	TRANSMISSION, PARKER HTJ

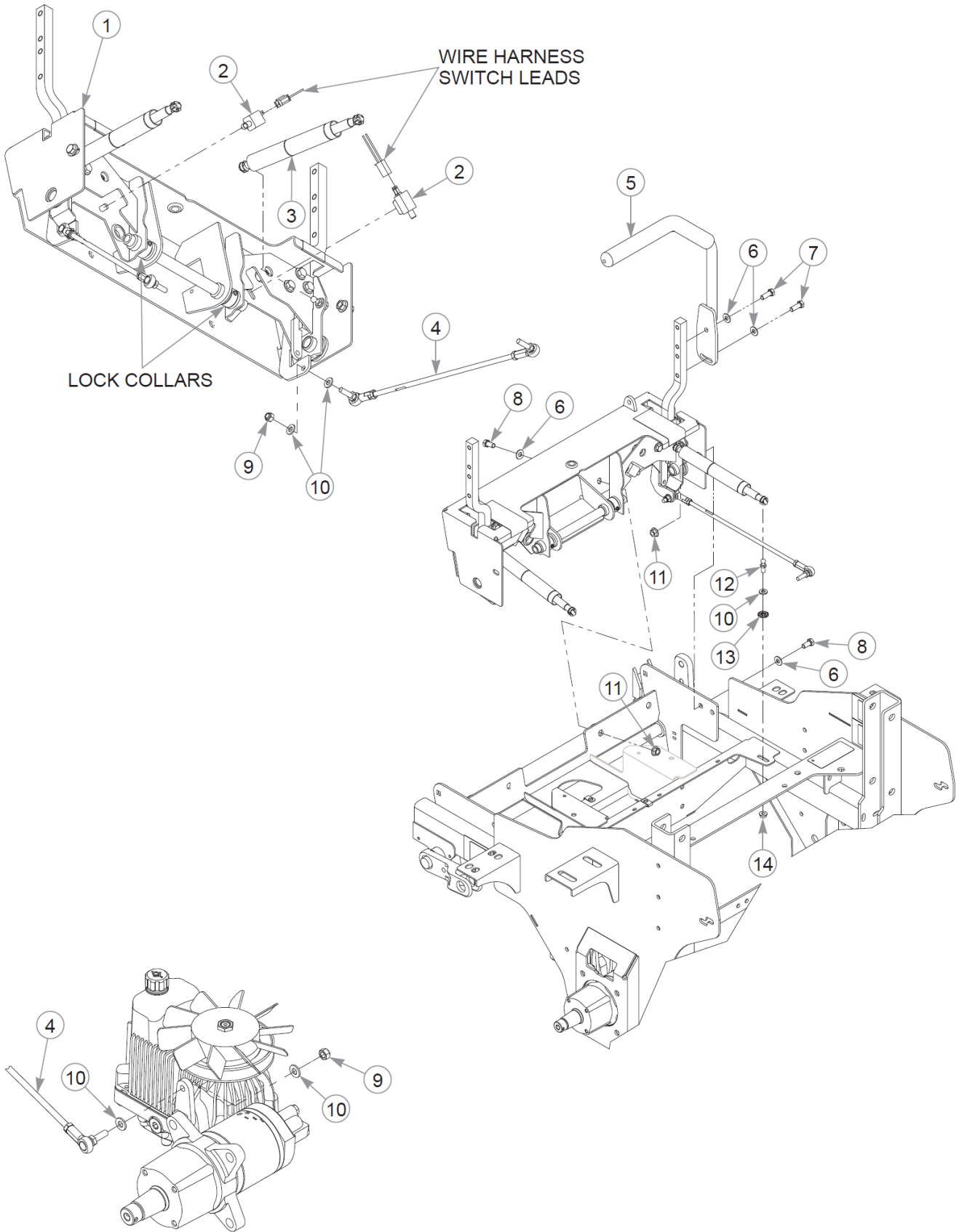
Comments for Page: Hydraulic System & Drive Belt

1. Torque to 96–102 N•m.
2. The tensioner should pivot freely.
3. Left side transmission.
4. Right side transmission.



Transmission Service Parts

Item	Part No.	Qty	Name
1	607509	1	SERVICE KIT, FAN
2	608370	1	KIT, PULLEY, HTJ
Not Shown	604132	1	SERVICE KIT, FAN/PULLEY
3	604131	1	RESERVIOR CAP
4	604126	1	HYDRAULIC OIL FILTER
5	604130	1	PLUG & O-RING ASSEMBLY
6	064337	1	ROSS WOODRUFF KEY
7	065516	1	ROSS NUT
8	606461	1	CONTROL LEVER PARKER
9	607751	1	SEAL KIT - HTJ

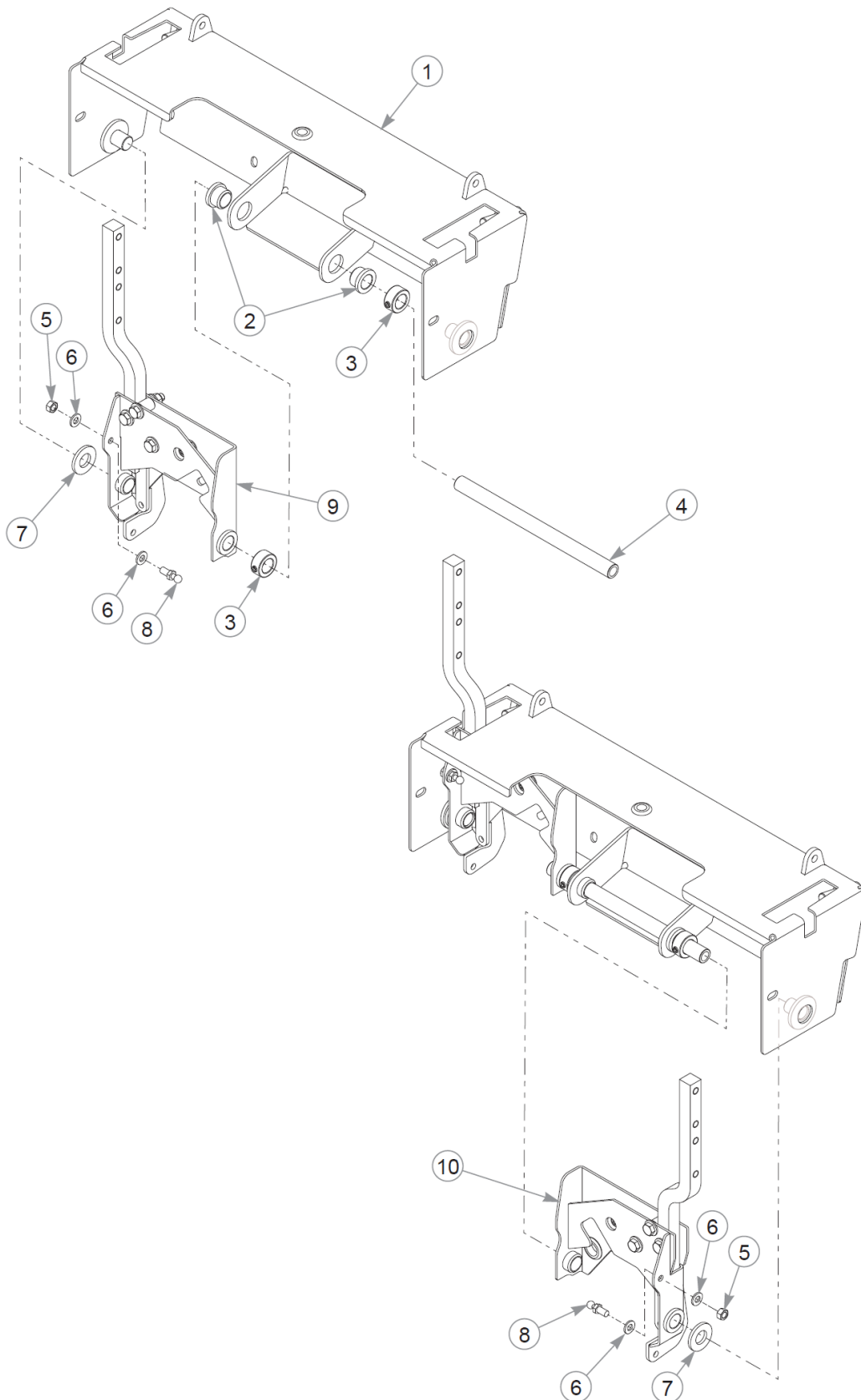


Steering

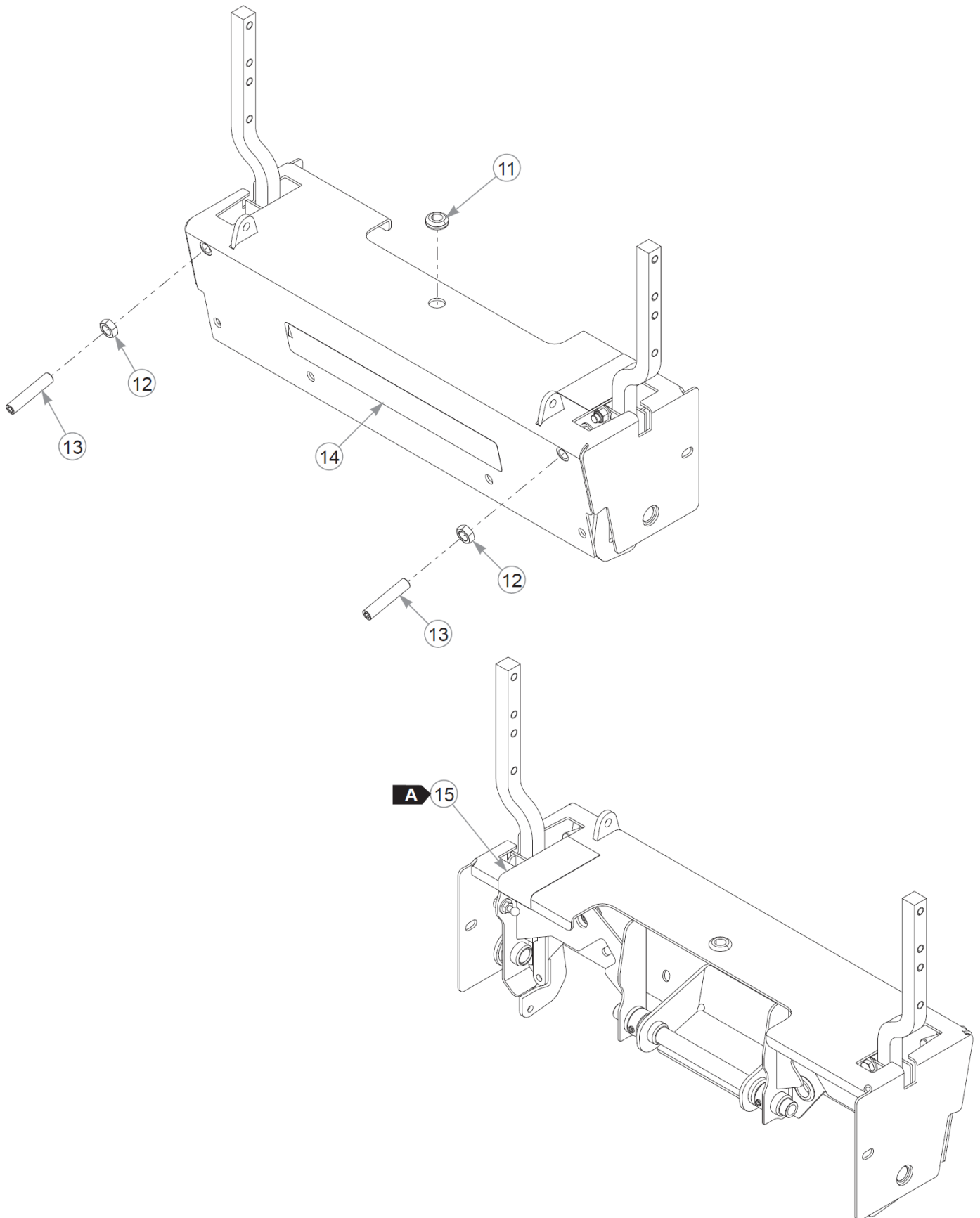
Item	Part No.	Qty	Name
1	N/A	1	STEERING COVER ASSEMBLY
2	601087	2	SWITCH, PLUNGER N.O.
3	795351	2	DAMPER, CENTERING
4	606521	2	PUMP ROD ASSEMBLY
5	605924	2	STEERING BAR W/A
Not Shown	781260	2	GRIP, STEERING BAR
6	767954	8	FW 0.379X.82X.06 HD ZN
7	036244	4	CS .375-16X1.00 HX G5 ZN
8	055822	4	CS .375-16X0.75 HX G5 ZN
9	023655	4	NT 0.312-24 NL G8
10	768523	10	FW 0.343SAE
11	016899	4	NT .375-16 FLKG5
12	781922	2	BALL STUD
13	029876	2	LW .312 INTEXT ZN
14	016832	2	NT .312-18FLKG5

Comments for Page: Steering

1. The steering handle includes the grip.



This page intentionally left blank



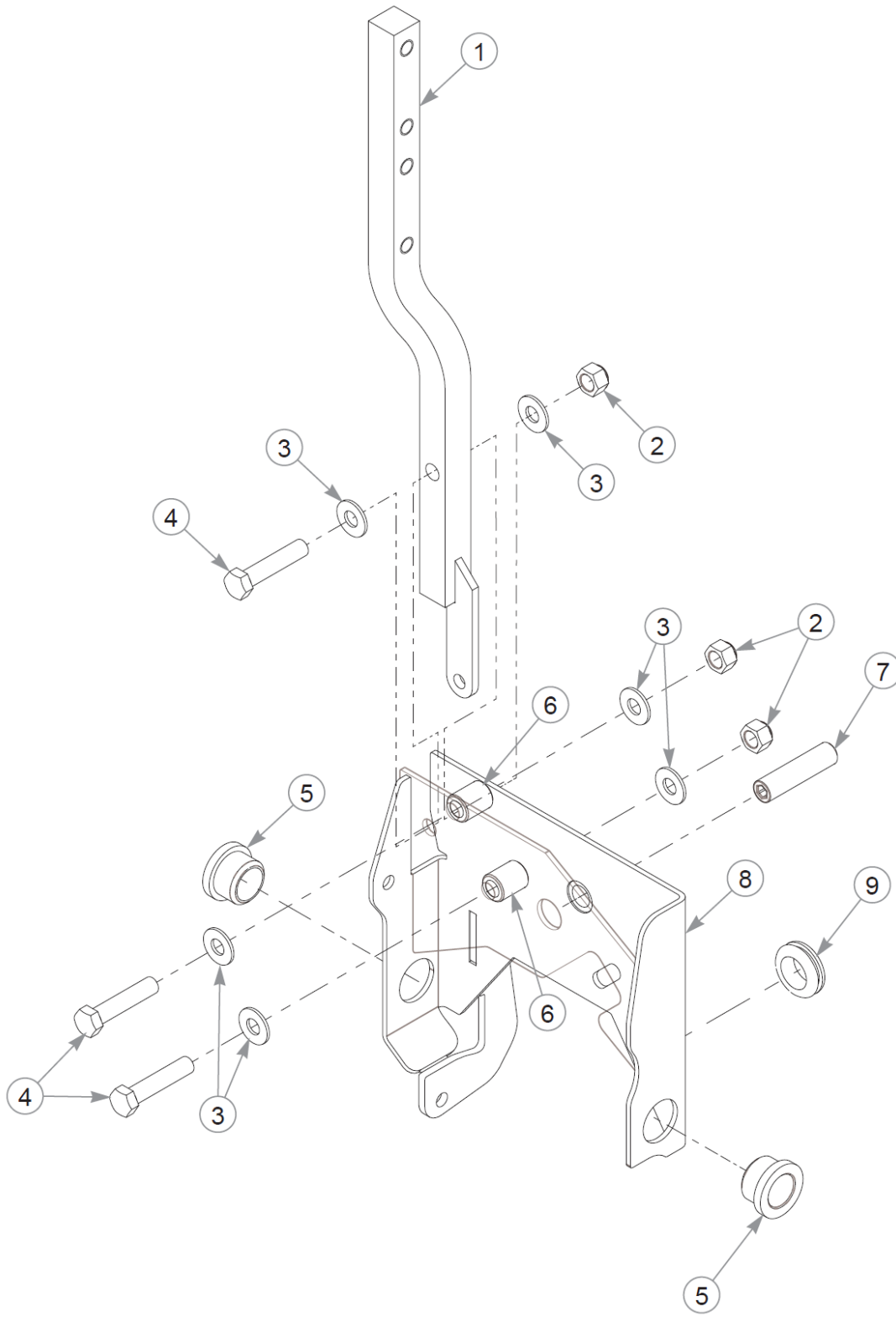
Steering Cover Assembly (Multi-Page)

Item	Part No.	Qty	Name
1	553839	1	SVC, STEERING COVER - X1
2	608000	2	BUSHING
3	784439	2	LOCK COLLAR,0.757 ID(FS)
4	113007	1	STEER PIVOT TUBE, SZ
5	034272	2	NT .312-18HXG5
6	768523	4	FW 0.343SAE
7	603078	2	FW .750X1.50X.16 ZN
8	781922	2	BALL STUD
9	606511	1	STEERING BOX SUB, LH
10	606510	1	STEERING BOX SUB, RH
11	080358	1	GM .50X1.00X.75X.12
12	053199	2	NT .500-13JAMG5
13	603055	2	SS .500-13X 2.50 SH ZN
14	605087	1	DECAL, X-ONE
15	722199	5.5"	POLYURETHANE 2" (FS)

Comments for Page: Steering Cover Assembly (Multi-Page)

WEAR TAPE LENGTHA: 5.5" ± 0.3"

Left Steering Box Assembly

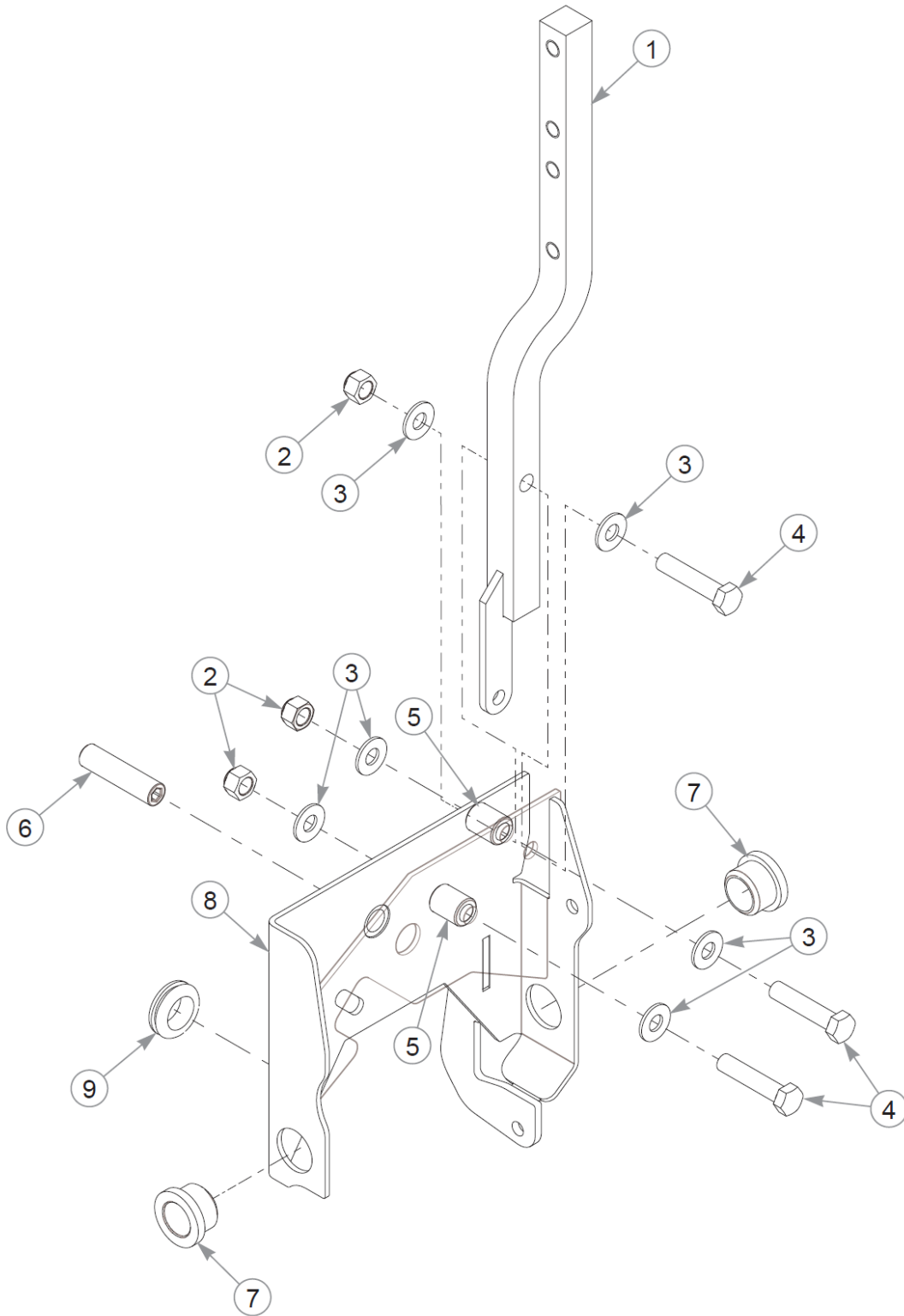


Left Steering Box Assembly

54" RD X-ONE Parts Manual - 938928CE - HTX1TR054KAWFX850VC

Item	Part No.	Qty	Name
1	NSS	2	STEERING ARM W/A
2	086660	3	NT .375-16NLG8
3	767954	6	FW 0.379X.82X.06 HD ZN
4	705178	3	CS .375-16X1.750HXG5
5	781153	2	BUSHING, UHMW
6	348862	2	STEERLEVER BUSHING (PLA
7	797738	1	SS .500-13X2.000SH
8	123305	1	STEERING BOX W/A, LH
9	047456	1	GM .750X.188X1.00X.12

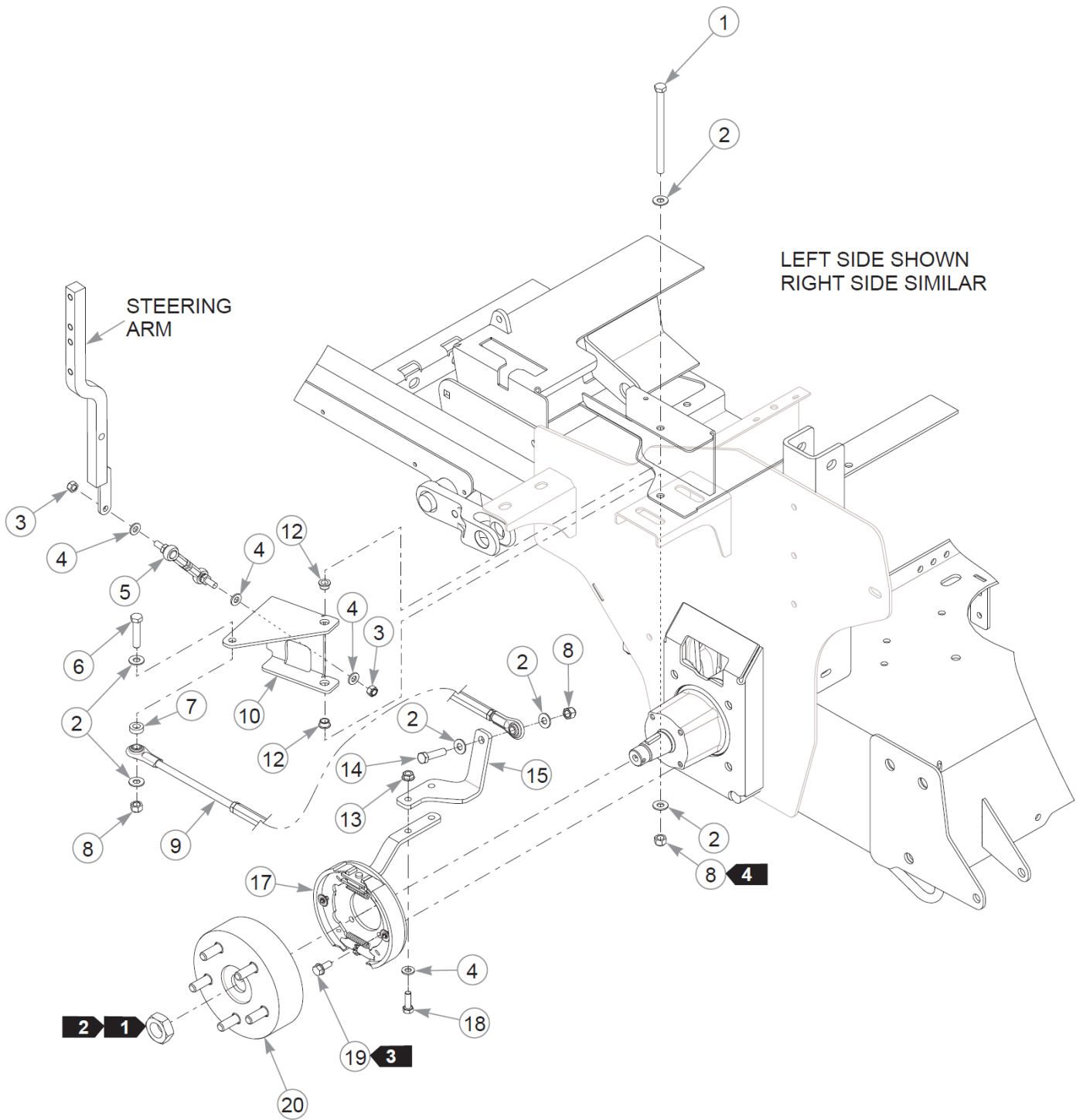
Right Steering Box Assembly



Right Steering Box Assembly

54" RD X-ONE Parts Manual - 938928CE - HTX1TR054KAWFX850VC

Item	Part No.	Qty	Name
1	NSS	1	STEERING ARM W/A
2	086660	3	NT .375-16NLG8
3	767954	6	FW 0.379X.82X.06 HD ZN
4	705178	3	CS .375-16X1.750HXG5
5	348862	2	STEERLEVER BUSHING (PLA
6	797738	1	SS .500-13X2.000SH
7	781153	2	BUSHING, UHMW
8	123306	1	STEERING BOX W/A, RH
9	047456	1	GM .750X.188X1.00X.12

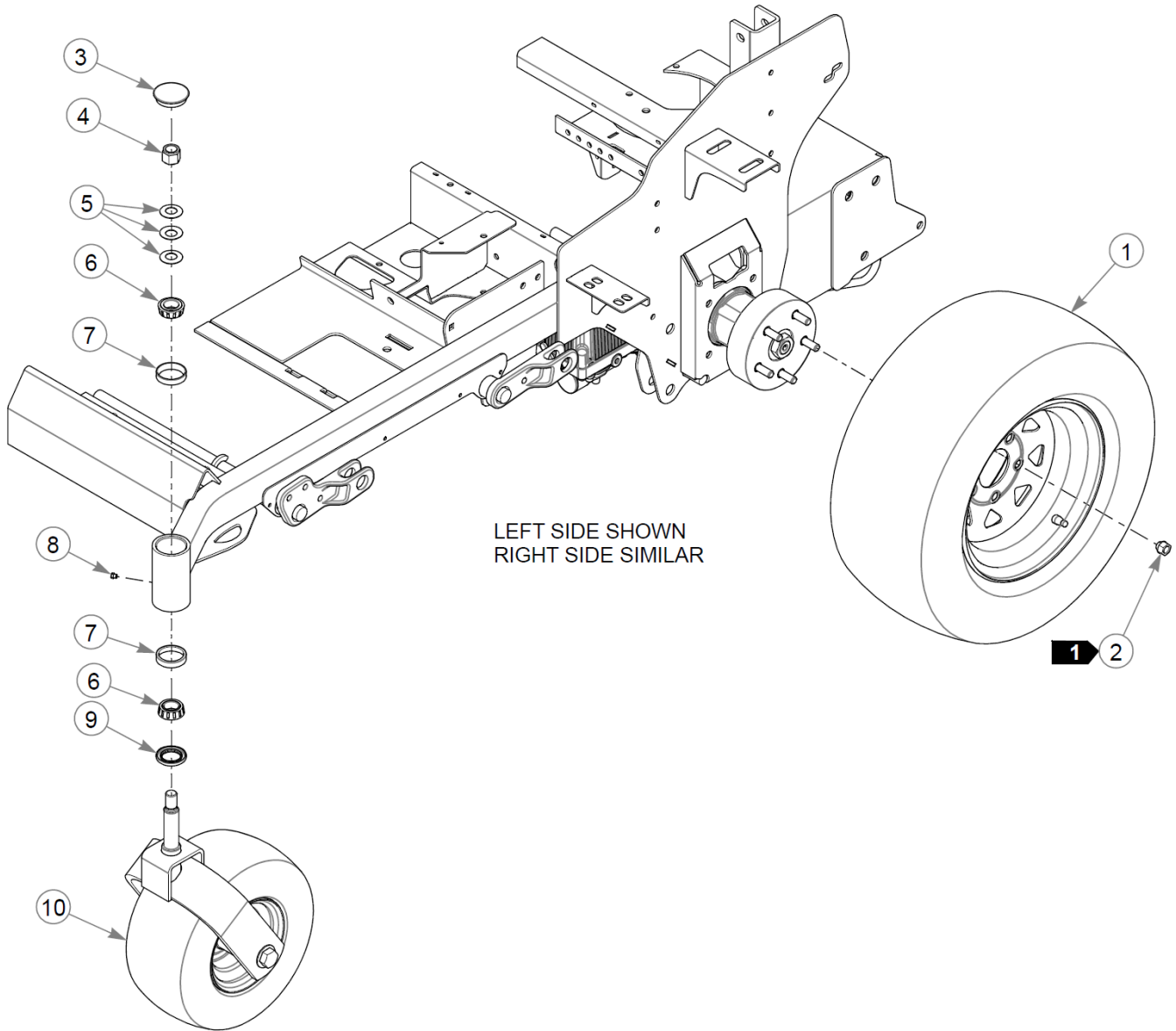


Brake

Item	Part No.	Qty	Name
1	748913	2	CS .375-16x5.50 GR5 ZN
2	767954	12	FW 0.379X.82X.06 HD ZN
3	023655	4	NT 0.312-24 NL G8
4	768523	10	FW 0.343SAE
5	781583	2	BRAKE ROD ASSEMBLY
6	705178	2	CS .375-16X1.750HXG5
7	073858	2	FW .406X .750X.250 ZN
8	086660	6	NT .375-16NLG8
9	350397	2	BRAKE LINK TURNBUCKLE A
10	123435	1	BELLCRANK, BRAKE - LH
11	123434	1	BELLCRANK, BRAKE - RH
12	765339	4	BUSHING,IGUS#0608 (FS)
13	016832	4	NT .312-18FLKG5
14	080655	2	CS .375-16X1.500HXG5
15	123432	1	BRAKE ARM, LH
16	123433	1	BRAKE ARM, RH
17	602383	2	BRAKE ASSY, PARKER
18	036236	4	CS .312-18X1.000HXG5
19	604461	8	CS .312-18X.75HXG8 FL
20	602384	2	HUB ASSY, PARKER
21	601085	10	STUD, WHEEL LUG 1/2-20

Comments for Page: Brake

1. Included with the wheel motor.
2. Torque to 200 ft-lbs.
3. Torque to 25–28 ft-lbs.
4. Do not torque; the nut should be snug but allow the brake bellcrank to pivot freely.
5. The hub assembly includes the studs.

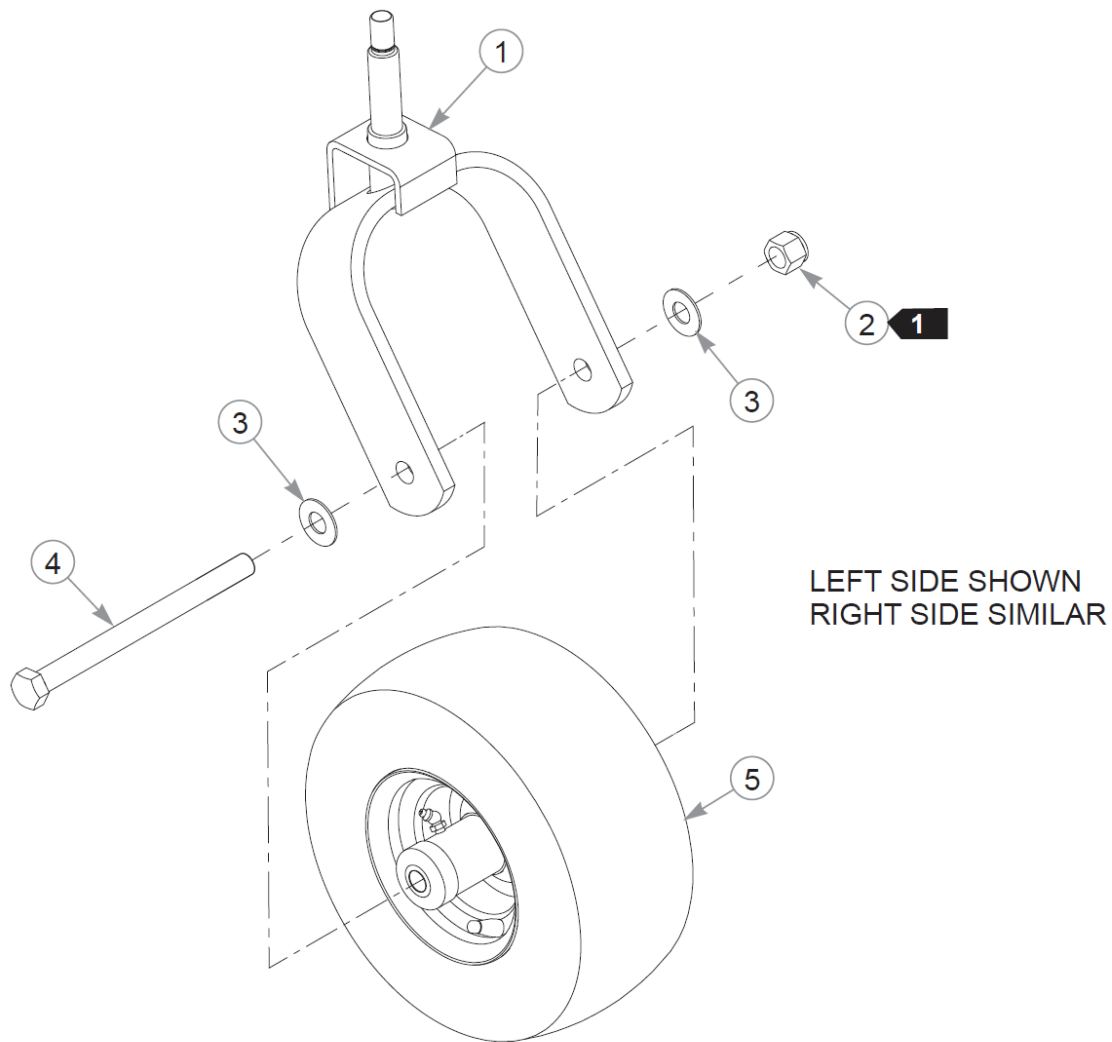
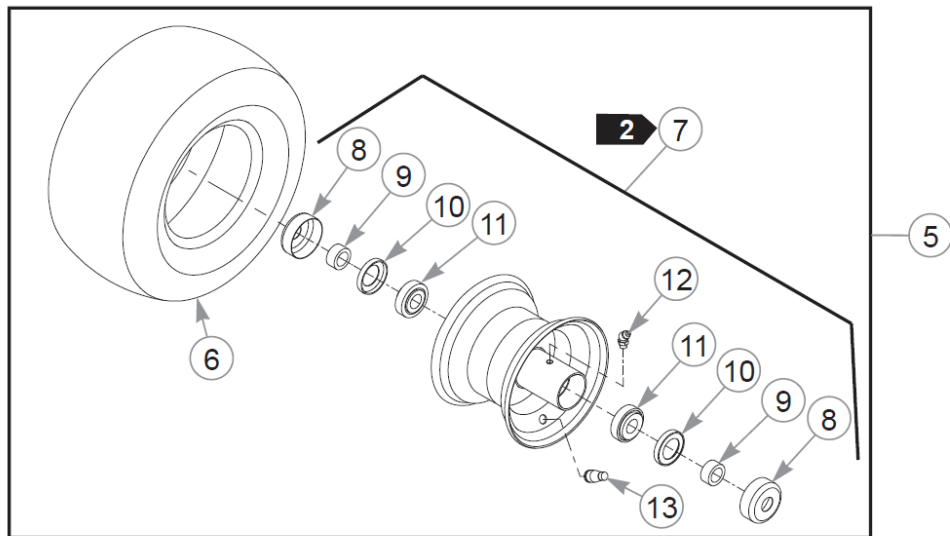


Wheel & Tire

Item	Part No.	Qty	Name
1	604106	2	TIR/WHL 24X9.50-12 SLV
2	061077	10	WHEEL NUT
3	606711	2	DUST CAP
4	061101	2	NT .750-10 HX ZN NL GR B
5	606715	6	CW 0.766 X 1.50 X .093
6	606712	4	BEARING, TAPERED ROLLER
7	606713	4	RACE, TAPERED ROLLER
8	606817	2	GREASE PLUG
9	606714	2	SEAL, 1.25 X 1.98
10		2	REFER TO "FRONT WHEEL ASSEMBLY BREAKDOWN"

Comments for Page: Wheel & Tire

1. Torque to 65–75 ft-lbs.

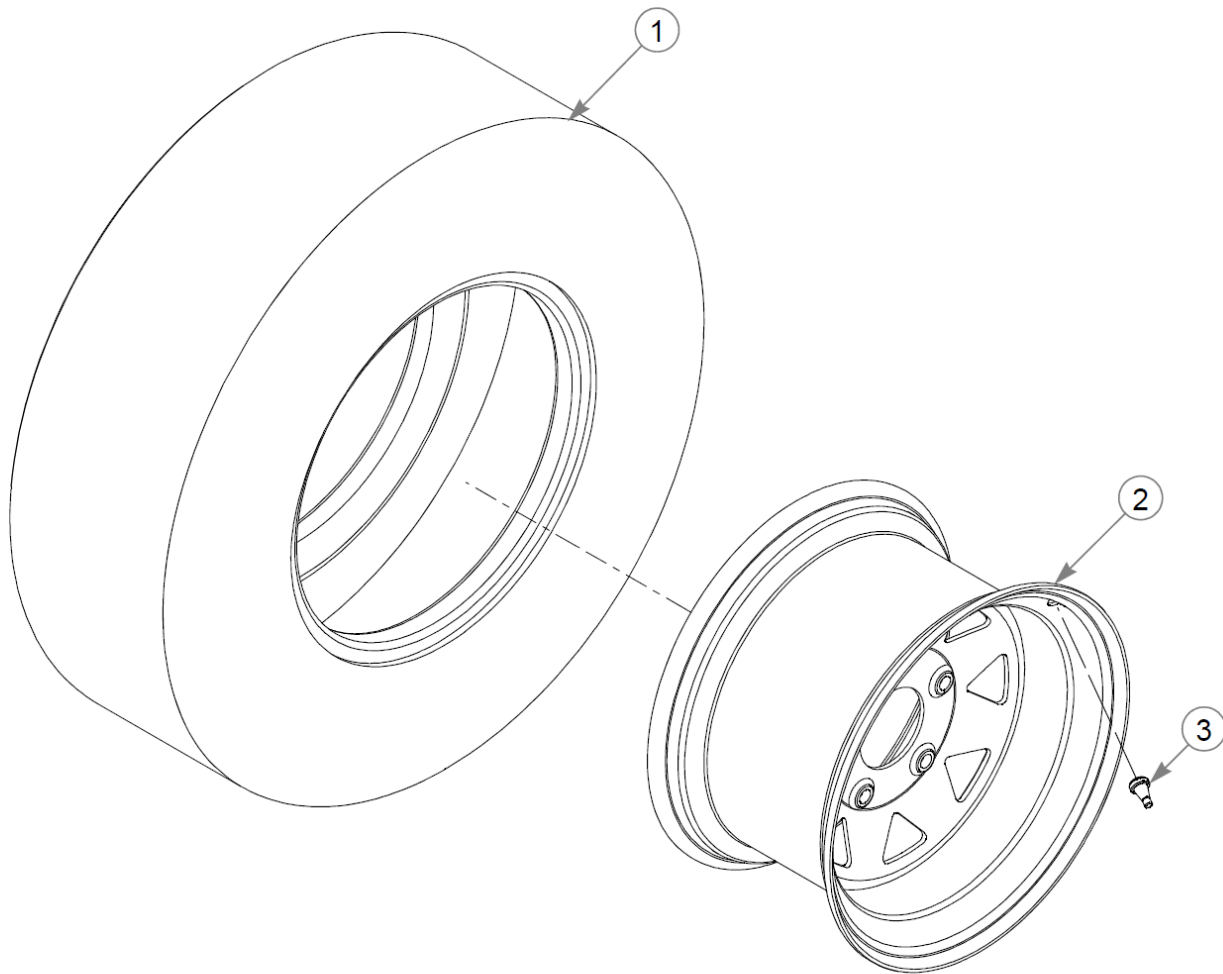


Front Wheel Assembly Breakdown

Item	Part No.	Qty	Name
1	123644-1	1	W/A, CASTER FORK
2	061101	1	NT .750-10 HX ZN NL GR B
3	025296	2	FW .760X1.63X0.08 ZN
4	041475	1	CS .750-10X9.50 HX G5 ZN
5	606744	1	TIR/WHL 13X6.50-6 SLV
6	604843	1	TIR 13X6.50-6 B4R SMTH
7	606751	1	WHL 6X4.50 SLV
8	606815	2	DUST CAP, 0.752 ID
9	606778	2	SPACER, 0.531
10	606780	2	SEAL
11	606753	2	BEARING, TAPERED ROLLER
12	606126	1	GREASE FITTING, M8X1.0
13	019521	1	TIRE VALVE TR-412 GOODY

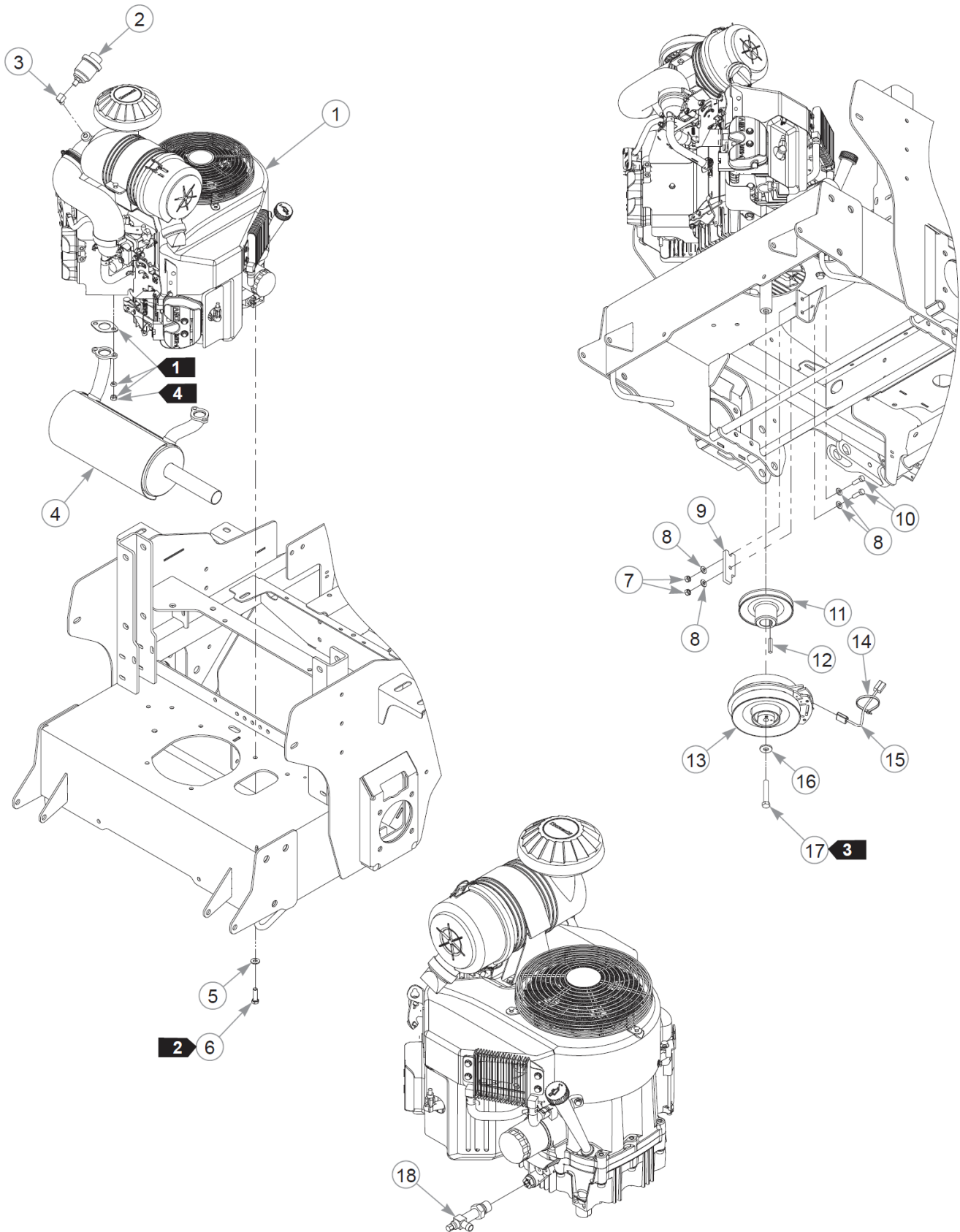
Comments for Page: Front Wheel Assembly Breakdown

1. Tighten, then back off the nut until the wheel spins freely.
2. Refer to the General Service Manual for wheel bearing service procedures.

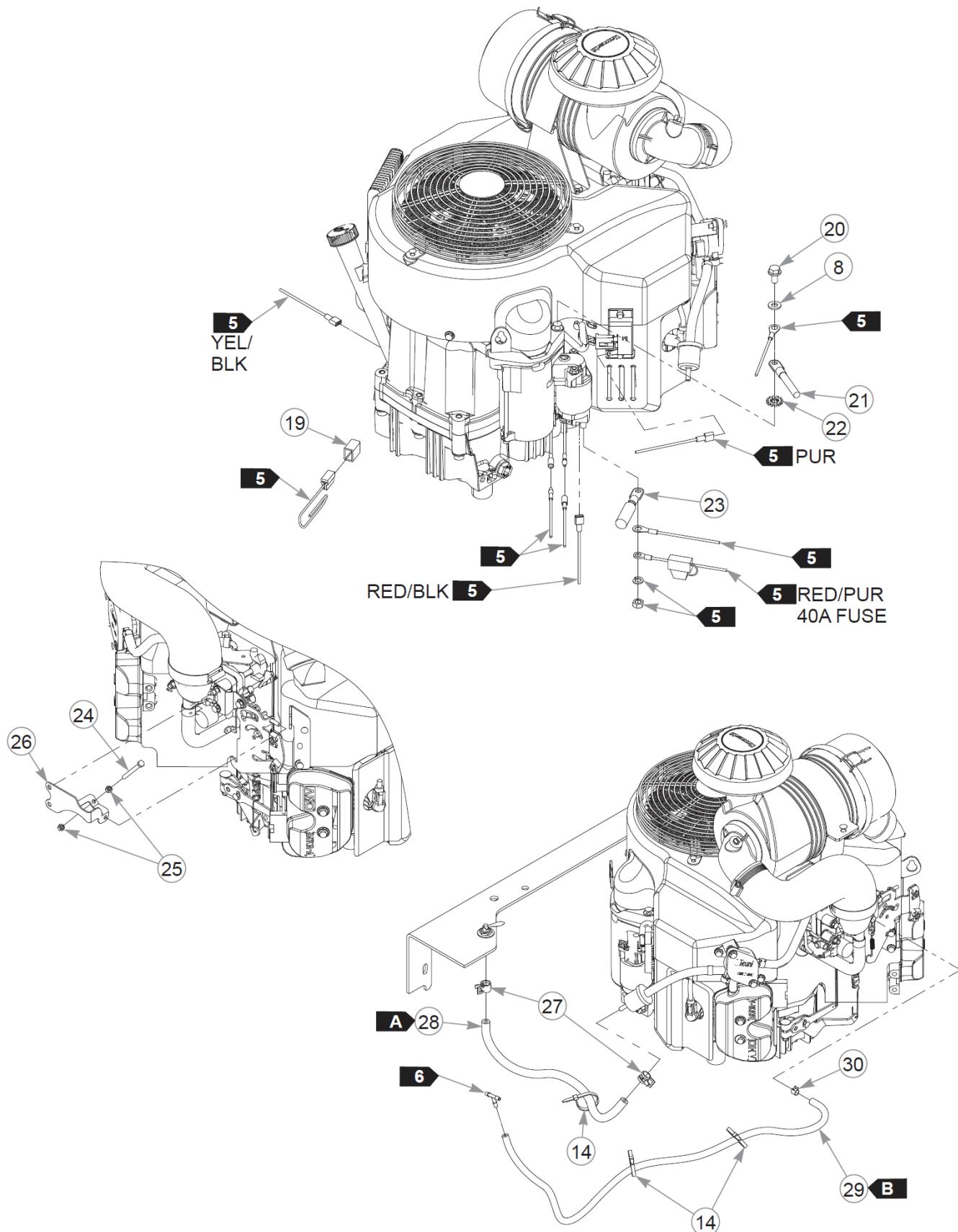


Drive Wheel Breakdown

Item	Part No.	Qty	Name
1	782284	1	TIR 24X9.50-12 B4R LTFT
2	604107	1	WHL 12X7.00 5X4.5 SLV
3	019521	1	TIRE VALVE TR-412 GOODY



This page intentionally left blank



Engine & Muffler (Multi-Page)

Item	Part No.	Qty	Name
1		1	ENGINE, KAW FX850V
2	788943	1	AIR FILTER INDICATOR
3	601216	1	FTG, ELBOW, STREET
4	603012	1	MUFFLER, FX850V
5	767954	4	FW 0.379X.82X.06 HD ZN
6	602580	4	CS .375-16X1.25HXG8ZYP85
7	034272	2	NT .312-18HXG5
8	768523	5	FW 0.343SAE
9	113946	1	CLUTCH ANCHOR
10	036236	2	CS .312-18X1.000HXG5
11	606471	1	PULLEY, ENG 5.318 OP
12	212076	1	KEY 1/4 SQ X 1.50 LG(FS)
13	606404K	1	CLUTCH KIT
14	000331	4	WIRE TIE, SMALL/SHORT
15	791251	1	HARNES, CLUTCH PIGTAIL
<p>Comments for Part Num. 791251</p> <p>Pigtail was updated with epoxy to hold the wires steady. The wire sheath was also updated to a more flexible material.</p>			
16	602680	1	FW .453X1.12X.12 HRD ZN
17	785659	1	CS .437-20X2.50 HXG5 P85
18	796524	1	VALVE,OIL DRAIN M20x2.5
19	789131	1	CAP, HUSTLRZ FAN CON(FS)
20	720516	1	CS M8-1.25X16HX FL10.9
21	796219	1	BATTERY CABLE,NEG 36" D
22	029876	1	LW .312 INTEXT ZN
23	744276	1	BATTERY CABLE POSITIVE
24	603524	1	CS M5-0.8 X 50 MM
25	048934	2	NT M5-0.8 HX GRD 8.8 ZN
26	120231	1	BRACKET, THROTTLE FX850V
27	000323	2	CLIP, HOSE CLAMP
28	015818	42 cm	FUEL LINE, 1/4"
<p>Comments for Part Num. 015818</p> <p>Sold by the foot.</p>			
29	603326	81 cm	VAPOR LINE, 3/16"

This page intentionally left blank

Item	Part No.	Qty	Name
Comments for Part Num. 603326			
Sold by the foot.			
30	603112	1	CLAMP, 3/16 FUEL

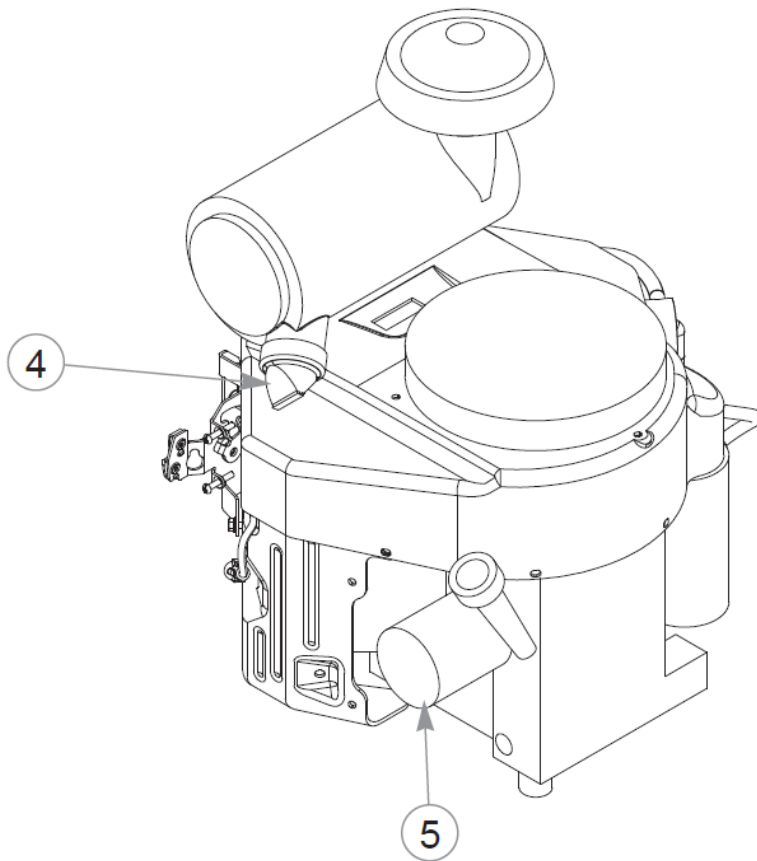
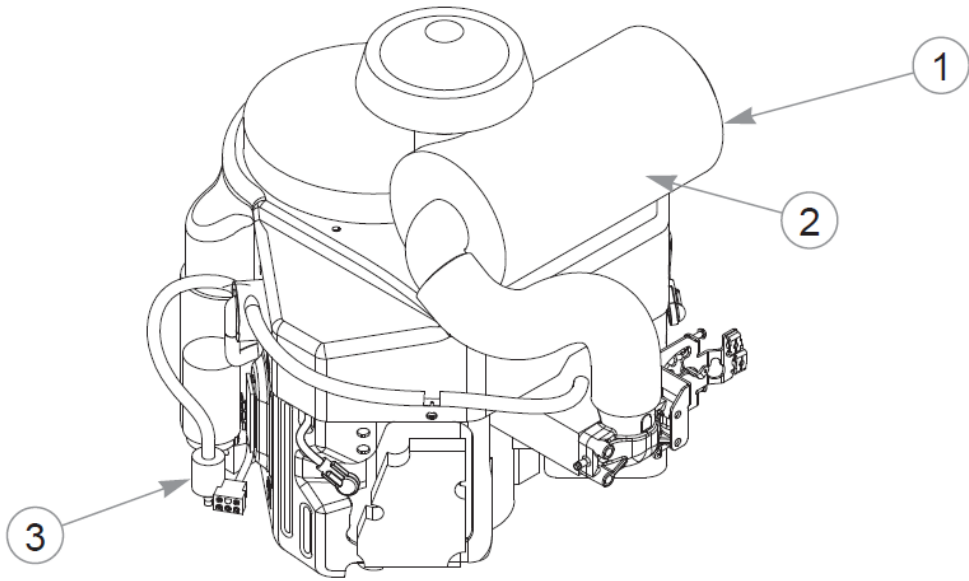
Comments for Page: Engine & Muffler (Multi-Page)

1. Supplied with the engine.
2. Torque to 60 N•m. Replace (do not reuse) the cap screw if it is removed or loosened. Use only hand tools to install this fastener.
3. Torque to 61–65 N•m. Replace (do not reuse) the cap screw if it is removed or loosened.
4. Torque to 23 N•m.
5. Part of the wire harness.
6. Part of the Fuel Assembly.

FUEL & VAPOR LINE LENGTHS

A: 42 cm VALVE TO ENGINE (FUEL)

B: 81 cm TEE TO ENGINE (VAPOR)



Engine Service Parts - FX850V

54" RD X-ONE Parts Manual - 938928CE - HTX1TR054KAWFX850VC

Item	Part No.	Qty	Name
1	785261	1	AIR FILTER - MAIN
2	785279	1	AIR FILTER - SAFETY
3	068478	1	FUEL FILTER - IN LINE
4	763318	1	VALVE, VACUATOR
5	603138	1	ENGINE OIL FILTER

Fuel System

Item	Part No.	Qty	Name
1	603807	2	CAP, 3.5" RATCHETING GAS
2	607675	1	FUEL TANK ASM, LH FENDER
3	607676	1	FUEL TANK ASM, RH FENDER
4	000323	4	CLIP, HOSE CLAMP
5	603326	71.5"	VAPOR LINE, 3/16"
<p>Comments for Part Num. 603326</p> <p>Sold by the foot.</p>			
6	604281	2	TEE, 3/16" PLASTIC
7	015818	67"	FUEL LINE, 1/4"
<p>Comments for Part Num. 015818</p> <p>Sold by the foot.</p>			
8	605215	65"	FUEL LINE THERMAL SHIELD
<p>Comments for Part Num. 605215</p> <p>Sold by the foot.</p>			
9	745059	1	FUEL VALVE 3-WAY
10	604323	1	VAPOR SYSTEM FILTER
11	712919	10	FW 0.406X1.00X.12 HD ZN
12	055822	10	CS .375-16X0.75 HX G5 ZN
13	036236	3	CS .312-18X1.000HXG5
14	079210	3	FW 0.344X1.0X0.06 ZN
15	043570	4	CLIP - HOSE - SINGLE(FS)
16	016832	3	NT .312-18FLKG5
17	055947	4	CS .250-20X0.50 HX G5 ZN
18	768515	4	FW 0.281SAE
19	123182	1	COVER, FUEL LINES
20	123181	1	COVER, FUEL SENDER
21	000331	2	WIRE TIE, SMALL/SHORT

Comments for Page: Fuel System

FUEL & VAPOR LINE LENGTHS

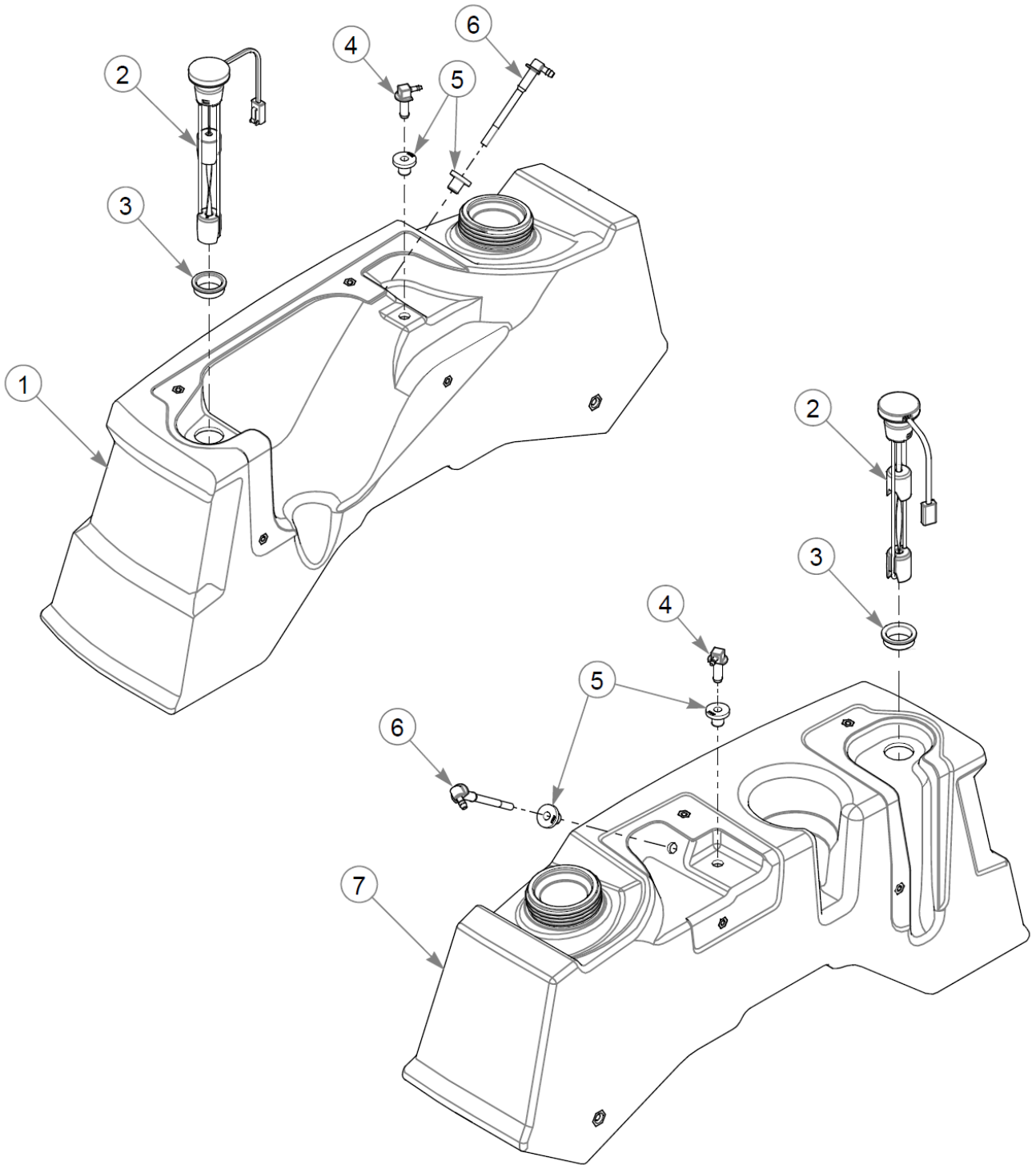
- A: 19" LEFT TANK TO TEE (VAPOR)
- B: 24" TEE TO TEE (VAPOR)
- C: 22" RIGHT TANK TO TEE (VAPOR)

Fuel System

D: 6.5" TEE TO FILTER (VAPOR)
E: 23" LEFT TANK TO VALVE (FUEL)
F: 44" RIGHT TANK TO VALVE (FUEL)
G: 43" FUEL LINE THERMAL SHIELD
H: 22" FUEL LINE THERMAL SHIELD

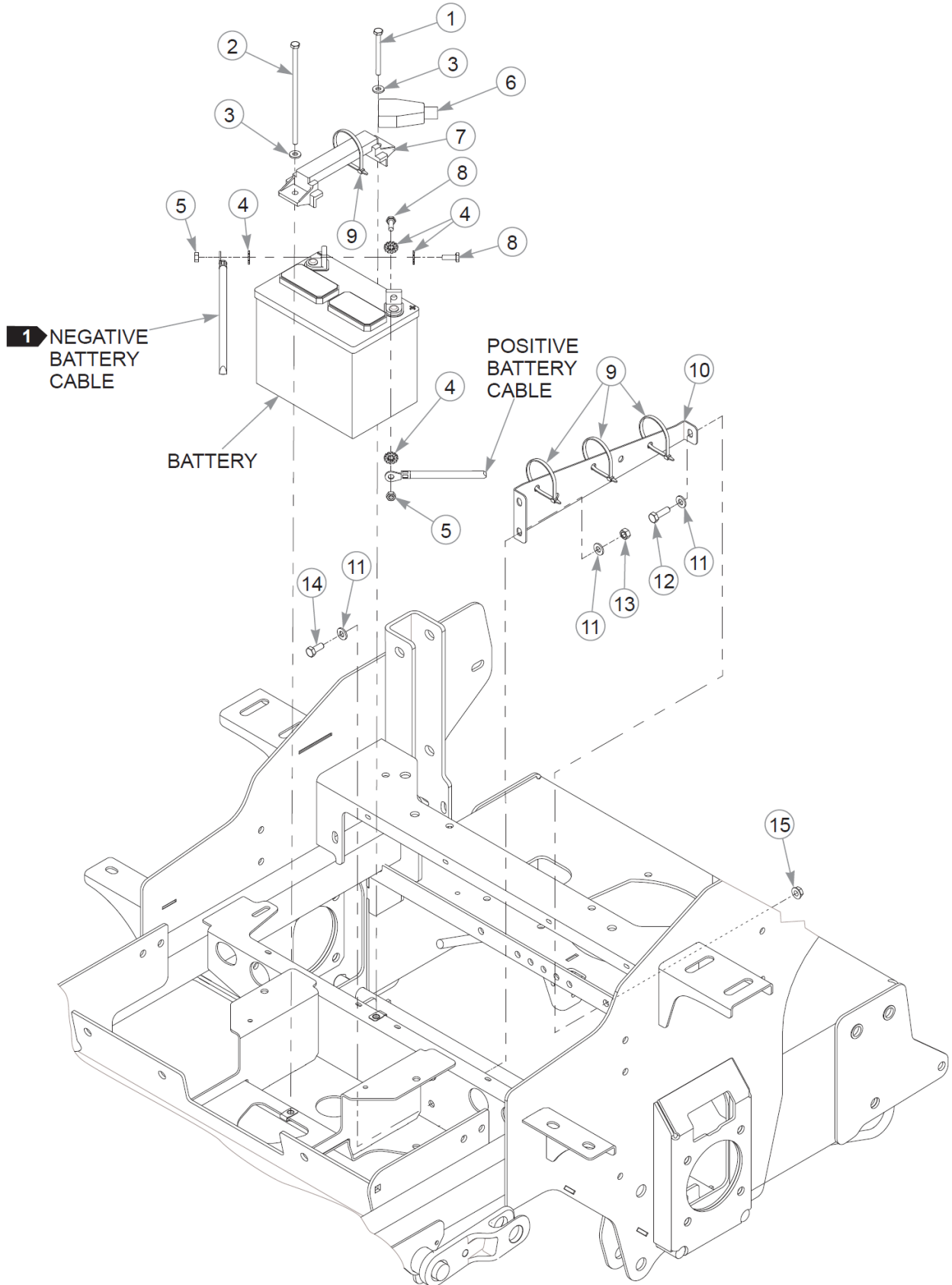
1. Torque to 16 ft-lbs.
2. Part of the wire harness.

This page intentionally left blank



Fuel Tank Service Parts - 606433 & 606434

Item	Part No.	Qty	Name
1	607676	1	FUEL TANK ASM, RH FENDER
2	603888K	2	SVC KIT, FUEL SENDER
3	605648K	2	TANK GROMMET SVC KIT
4	604287K	2	VENT FITTING SVC KIT
5	604200K	4	GROMMET SVC KIT
6	605159K	2	SUCTION HOSE SVC KIT
7	607675	1	FUEL TANK ASM, LH FENDER

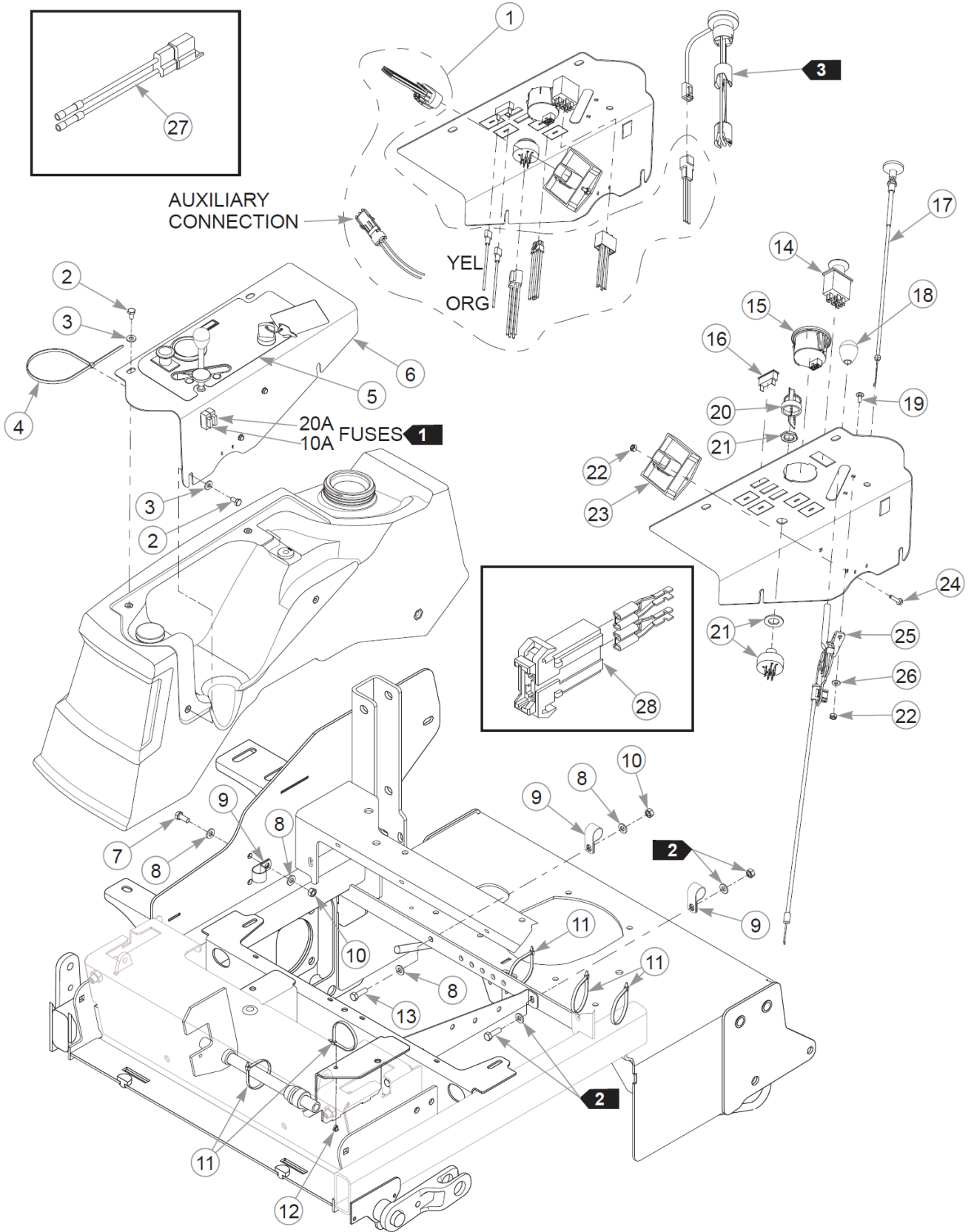


Battery

Item	Part No.	Qty	Name
1	794156	1	CS .250-20X2.750HXG5
2	601930	1	CS .250-20 X 6.50 HX G5
3	768515	2	FW 0.281SAE
4	029868	4	LW .250 INTEXT ZN
5	024927	2	NT .250-20HXG5
6	771428	1	BATTERY CBL BOOT-RED(FS)
7	604178	1	STRAP, TIE DOWN
8	055939	2	CS .250-20X0.75 HX G5 ZN
9	000331	4	WIRE TIE, SMALL/SHORT
10	124384-1	1	SUPPORT, CABLE
11	768523	5	FW 0.343SAE
12	036236	1	CS .312-18X1.000HXG5
13	034272	2	NT .312-18HXG5
14	034280	2	CS .312-18X0.750HXG5
15	016832	1	NT .312-18FLKG5

Comments for Page: Battery

1. When performing service on the mower, disconnect the negative battery cable (black) and do not reconnect it to the battery until ready to start the engine.

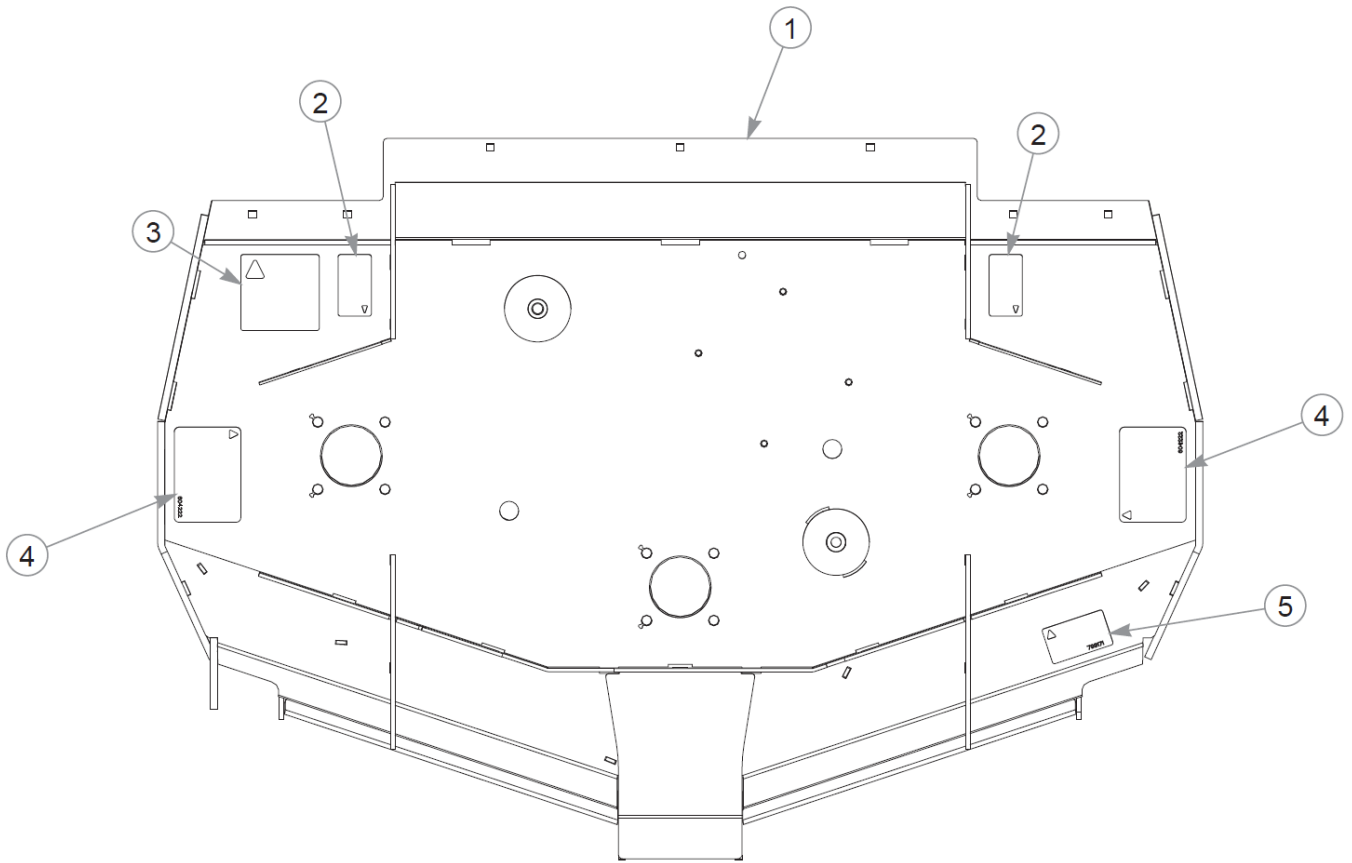


Instrument Panel & Wire Harness

Item	Part No.	Qty	Name
1	604241	1	WIRE HARNESS
2	055947	4	CS .250-20X0.50 HX G5 ZN
3	768515	4	FW 0.281SAE
4	000430	1	WIRE TIE, SMALL/LONG
5	606466	1	DECAL, INSTR PANEL
6	553845	1	SVC, INSTR PANEL
7	034280	1	CS .312-18X0.750HXG5
8	768523	4	FW 0.343SAE
9	043570	3	CLIP - HOSE - SINGLE(FS)
10	034272	2	NT .312-18HXG5
11	000331	5	WIRE TIE, SMALL/SHORT
12	604307	1	MOUNT, PUSH BUTTON
13	036236	1	CS .312-18X1.000HXG5
14	776476	1	SWITCH, PTO 6201-321
15	606068	1	GAUGE, FUEL/HOURMETER
16	712257	1	INDICATOR LIGHT, RED(FS)
17	786657	1	CABLE, CHOKE
18	603523	1	KNOB
19	601098	2	CB 10-24 X .500 ZYNC
20	785808	1	KEY ASSEMBLY
21	045898	1	IGNITION SWITCH
22	059832	4	NT #10-24 HX NL ZN
23	604373	1	RELAY CONTROL MODULE
24	063198	2	CS #10-24X0.750FLKG5
25	603475	1	CABLE, THRTL 43"
26	704932	2	FW 0.219X.50X.05 ZN
27	114052	1	KIT, CLUTCH CONN. REP.
28	601047	1	HOLDER, FUSE

Comments for Page: Instrument Panel & Wire Harness

1. Part of the wire harness.
2. Part of the Battery Assembly.
3. Part of the Fuel Assembly.

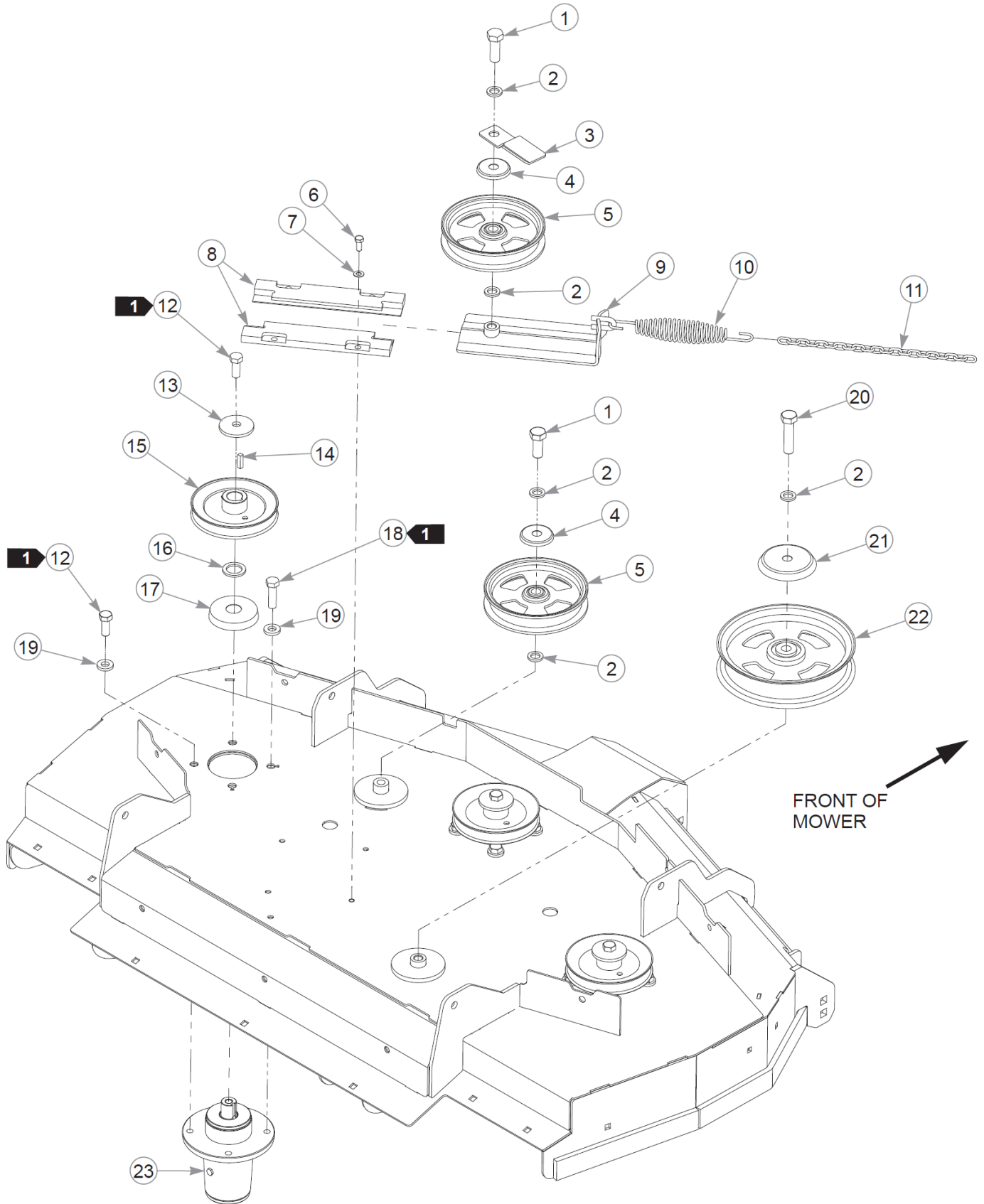


Service Deck

Item	Part No.	Qty	Name
1	553731	1	54" RD SERVICE DECK
2	603391	2	DECAL, RUBBER FLAP
3	781419	1	DECAL, BELT ROUTING
4	604222	2	DECAL, DANGER / OBJECTS
5	799171	1	DECAL, Z 54" Deck ID

Comments for Page: Service Deck

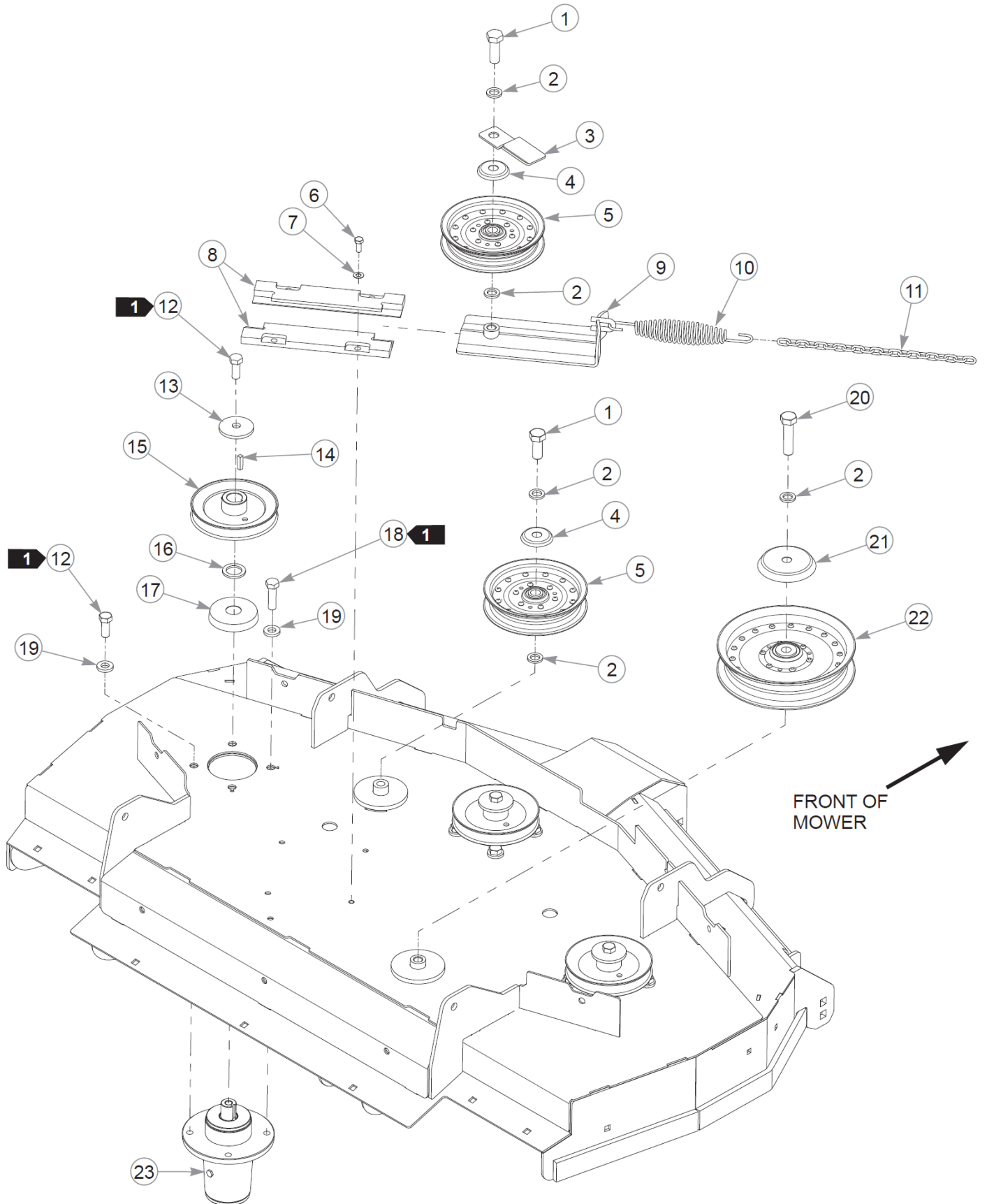
1. The deck includes the decals.



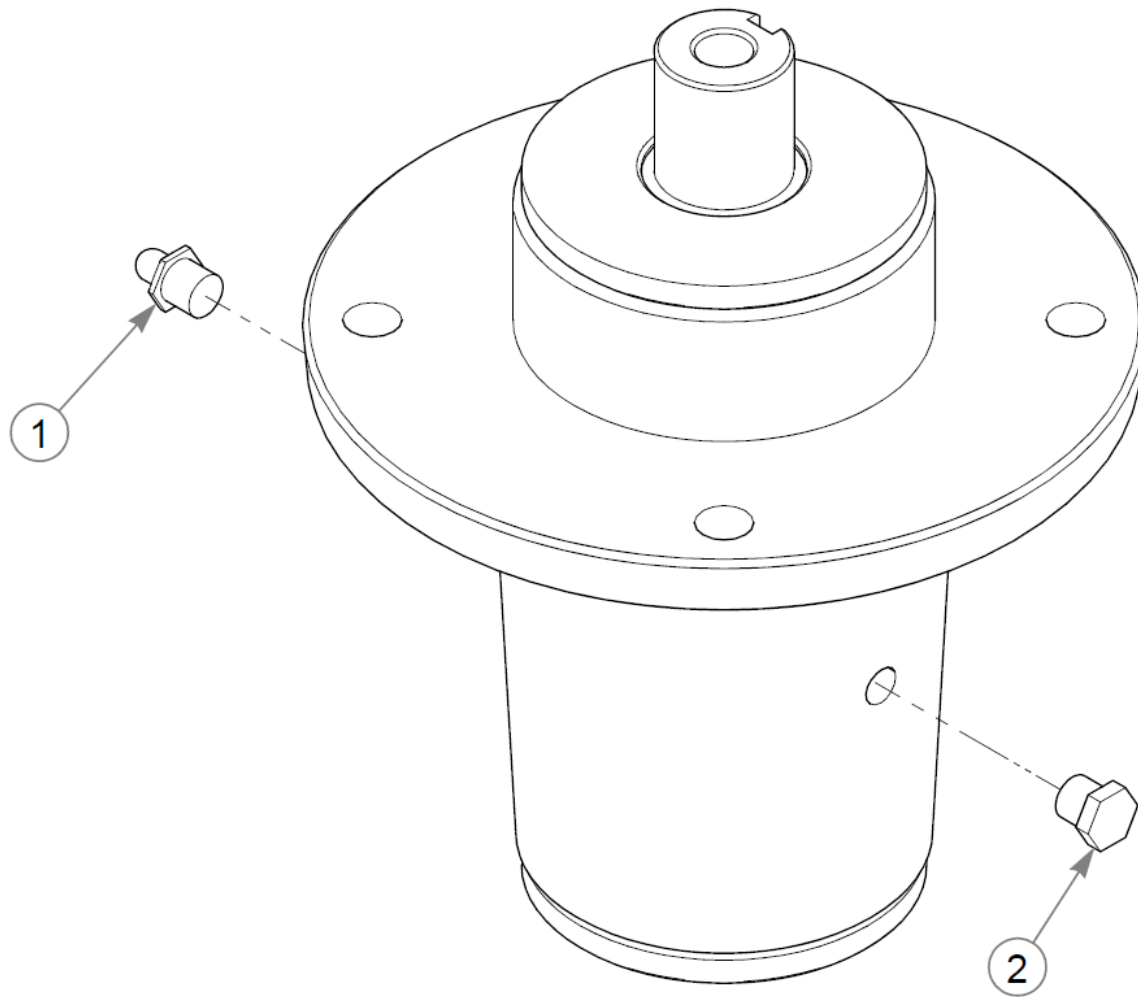
Item	Part No.	Qty	Name
1	025007	2	CS .62511X1.750HXG5
2	028118	5	FW 0.625X1.00X.13 ZN
3	606460	1	GUIDE, BELT
4	608144	2	SHIELD, DUST
5	602821	2	IDLER, 6.0" COMMERCIAL
6	034280	4	CS .312-18X0.750HXG5
7	604252	4	FW .340X.68X.04 ZN
8	602936	2	IDLER SLIDE, UHMW
9	350884	1	SLIDE, DECK IDLER
10	781302	1	IDLER SPRING
11	373191	1	CHAIN, 21 LINK
12	705954	9	CS .500-13X1.25 HX G5 ZN
13	752386	3	CW .515X 2.25X .204 BLK
14	212472	3	KEY 1/4 SQ X 1.00 LG(FS)
15	798967	3	PULLEY, B-SEC 5.44 EOD
16	045765	3	FW 1.030X1.50X.13 HD ZN
17	607409-4	3	DUST SHIELD
18	017616	6	CS .500-13X1.750HXG5
19	767962	12	FW .531 x 1.063 x .175
20	025015	1	CS .625-11X2.500HXG5
21	602963	1	DUST SHIELD, IDLER LG
22	602838	1	IDLER, 8.0" COMMERCIAL
23	607407	3	SPINDLE ASSY, DUCTILE

Comments for Page: Deck Pulleys & Spindles - S/N 20100048 & HIGHER

1. Torque to 86–99 N•m.



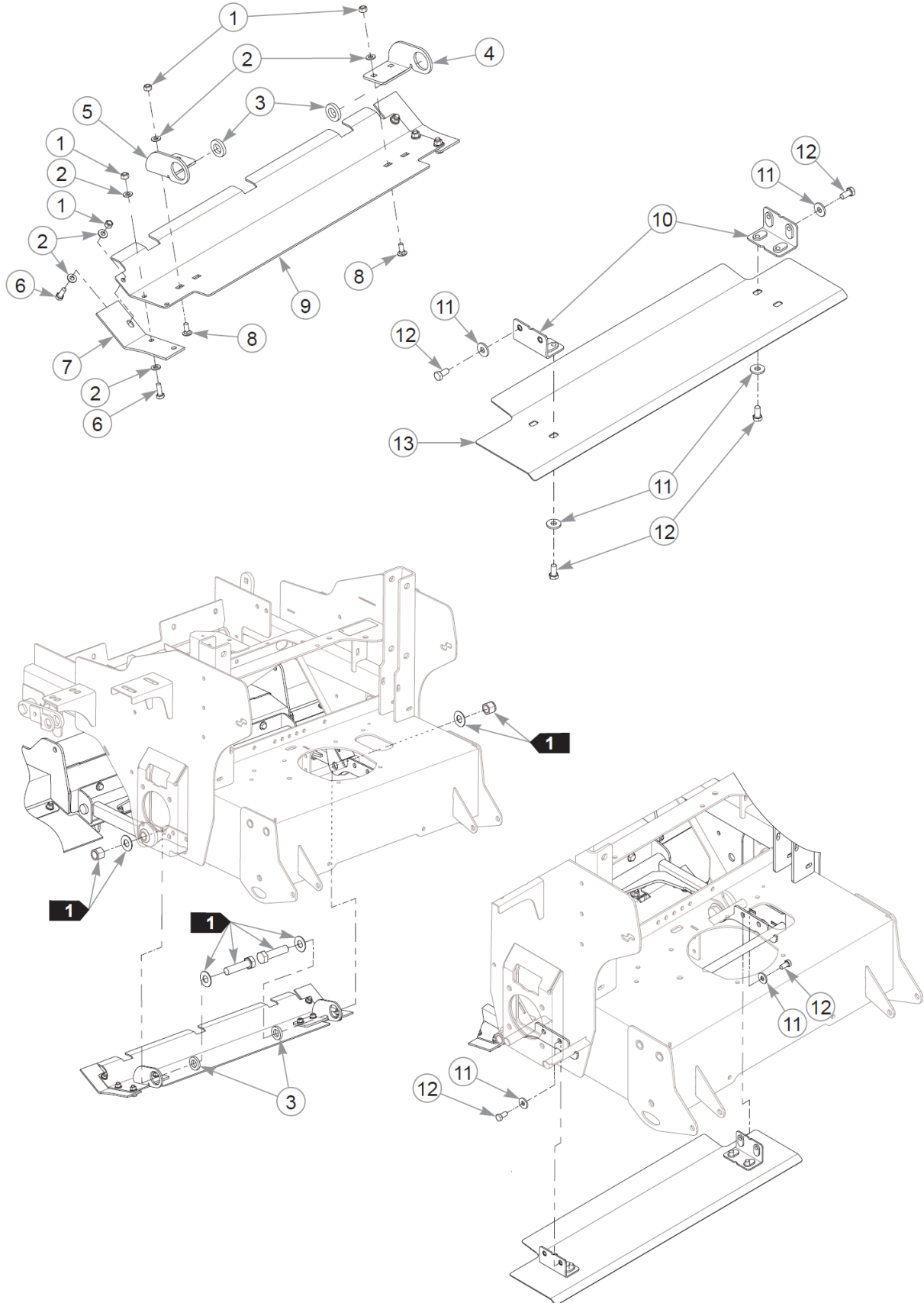
Item	Part No.	Qty	Name
1	025007	2	CS .62511X1.750HXG5
2	028118	5	FW 0.625X1.00X.13 ZN
3	606460	1	GUIDE, BELT
4	608144	2	SHIELD, DUST
5	602821	2	IDLER, 6.0" COMMERCIAL
6	034280	4	CS .312-18X0.750HXG5
7	604252	4	FW .340X.68X.04 ZN
8	602936	2	IDLER SLIDE, UHMW
9	350884	1	SLIDE, DECK IDLER
10	781302	1	IDLER SPRING
11	373191	1	CHAIN, 21 LINK
12	705954	9	CS .500-13X1.25 HX G5 ZN
13	752386	3	CW .515X 2.25X .204 BLK
14	212472	3	KEY 1/4 SQ X 1.00 LG(FS)
15	798967	3	PULLEY, B-SEC 5.44 EOD
16	045765	3	FW 1.030X1.50X.13 HD ZN
17	607409-4	3	DUST SHIELD
18	017616	6	CS .500-13X1.750HXG5
19	767962	12	FW .531 x 1.063 x .175
20	025015	1	CS .625-11X2.500HXG5
21	602963	1	DUST SHIELD, IDLER LG
22	602838	1	IDLER, 8.0" COMMERCIAL
23	607407	3	SPINDLE ASSY, DUCTILE



Spindle Assembly Service Parts - 607407

Item	Part No.	Qty	Name
1	607477	1	GREASE ZERK
2	607478	1	RELIEF FITTING

Dust Shield

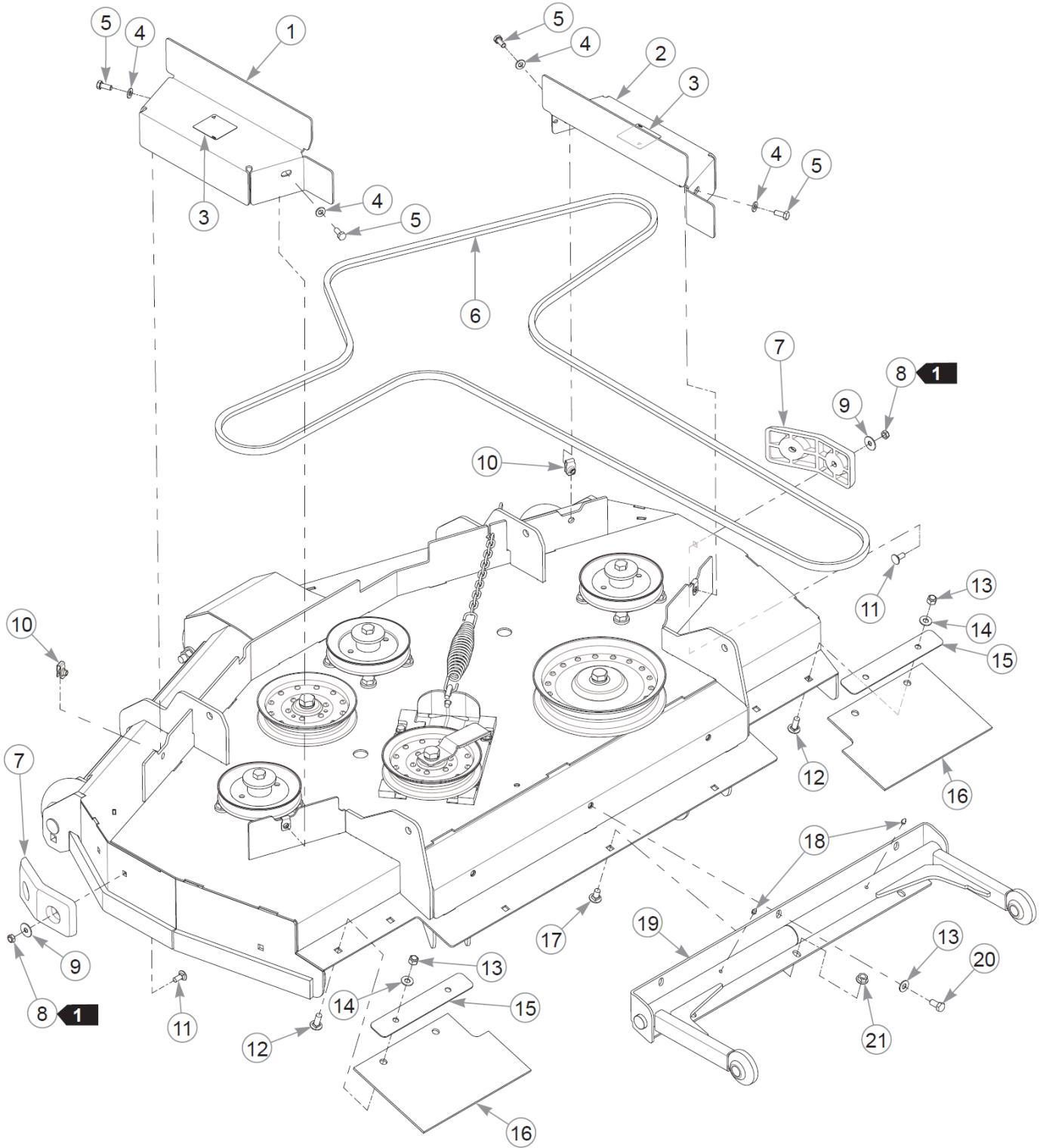


Dust Shield

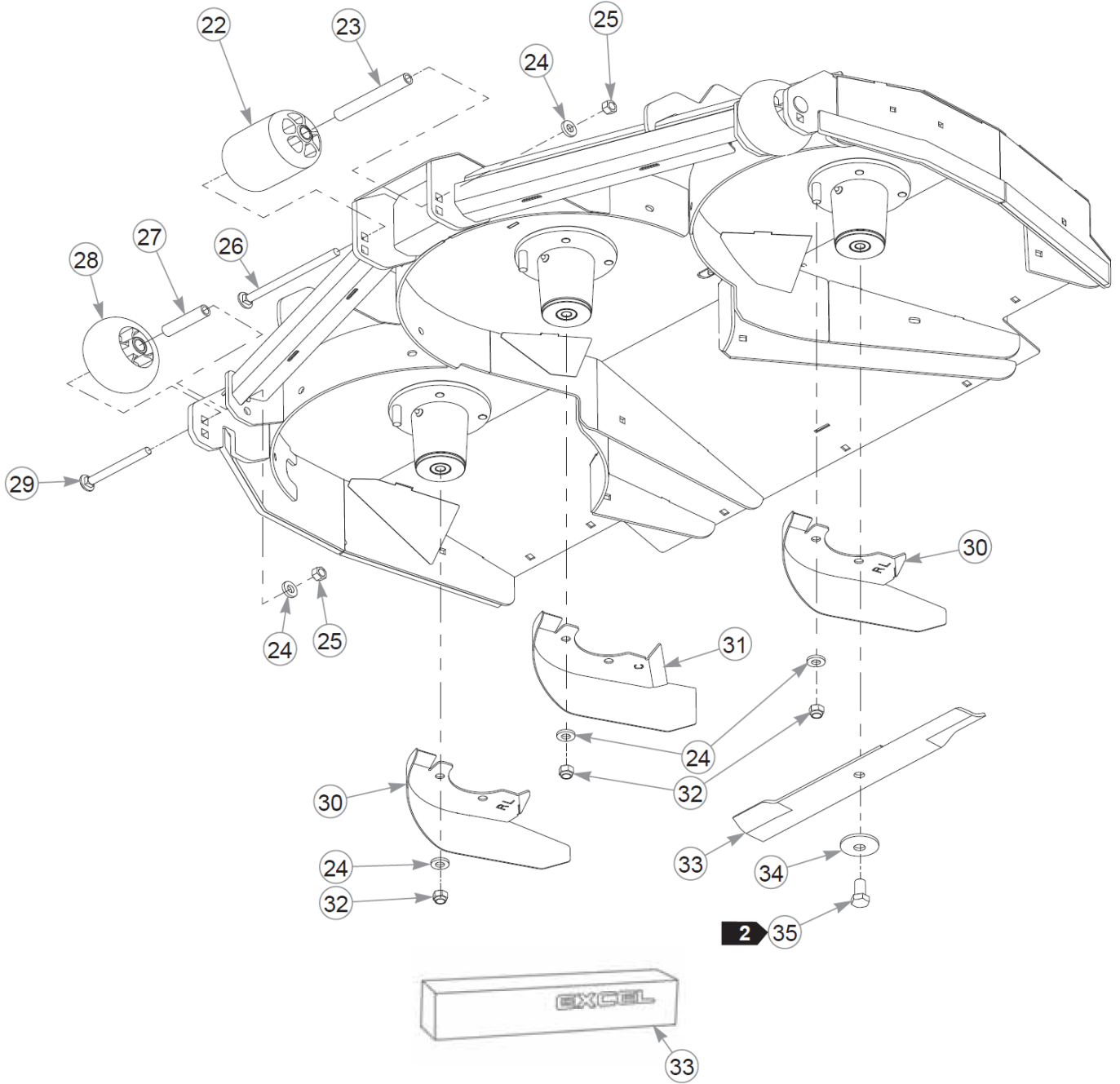
Item	Part No.	Qty	Name
1	058776	10	NT .312-18NLG5
2	768523	16	FW 0.343SAE
3	778399	2	FW .781X1.38X.25 ZN
4	123525	1	CHUTE BRACKET
5	123526	1	CHUTE BRACKET
6	064014	6	CS .312-18X0.875HXG5
7	606614	2	RUBBER, SIDE
8	016253	4	CB .312-18X .750 FUL ZN
9	123528	1	REAR SHIELD
10	123530	2	REAR SHIELD SUPPORT
11	712919	8	FW 0.406X1.00X.12 HD ZN
12	055822	8	CS .375-16X0.75 HX G5 ZN
13	123529	1	REAR SHIELD 2

Comments for Page: Dust Shield

1. Part of the Deck Lift Assembly.



This page intentionally left blank



Deck, Pulley Covers, Belt, & Blades (Multi-Page)

54" RD X-ONE Parts Manual - 938928CE - HTX1TR054KAWFX850VC

Item	Part No.	Qty	Name
1	553875	1	SVC PULLEY COVER LS, CE
2	553908	1	SVC PULLEY COVER RH, CE
3	602562	2	DECAL, NO SERVICE
4	768523	4	FW 0.343SAE
5	034280	4	CS .312-18X0.750HXG5
6	605510	1	DECK BELT
7	605376	2	DECK BUMPER
8	604251	4	NT .312-18 HXNL JAM G2ZN
9	079210	4	FW 0.344X1.0X0.06 ZN
10	601069	4	CN .312-18x.200 MAX THK
11	016253	4	CB .312-18X .750 FUL ZN
12	025395	4	CB .375-16X 1.00 G5 ZN
13	086660	4	NT .375-16NLG8
14	767954	7	FW 0.379X.82X.06 HD ZN
15	123534	2	CLAMP, RD
16	606598	2	RUBBER, RD 54"
17	011320	3	CB .375-16X .750 STD ZN
18	015495	2	GREASE FITTING STRAIGHT
19	123396	1	PUSHER, W/A
20	055822	3	CS .375-16X0.75 HX G5 ZN
21	016899	3	NT .375-16 FLKG5
22	602341	1	WHEEL, ANTI-SCALP
23	602344	1	SPACER, ANTI- SCALP 5.73
24	767962	9	FW .531 x 1.063 x .175
25	781567	3	NT .500-13NLG5
26	602338	1	CB .50-13 X 7.50 STD ZN
27	602345	2	SPACER, ANTI-SCALP 3.22
28	602263	2	WHEEL, ANTI-SCALP
29	607288	2	CB .50-13X4.75 STD ZN
30	123512	2	CUT-OFF W/A
31	123513	1	CUT-OFF W/A
32	781567	6	NT .500-13NLG5
33	601124	3	BLADE, 18.50"-L-F-CW
Not Shown	601124X	1	10PK BLADE, 18.50"-L-F-C
Not Shown	606251	3	BLADE, 18.50"-H-F-CW
Not Shown	606251X	1	10PK BLADE 18.50"-H-F-CW

This page intentionally left blank

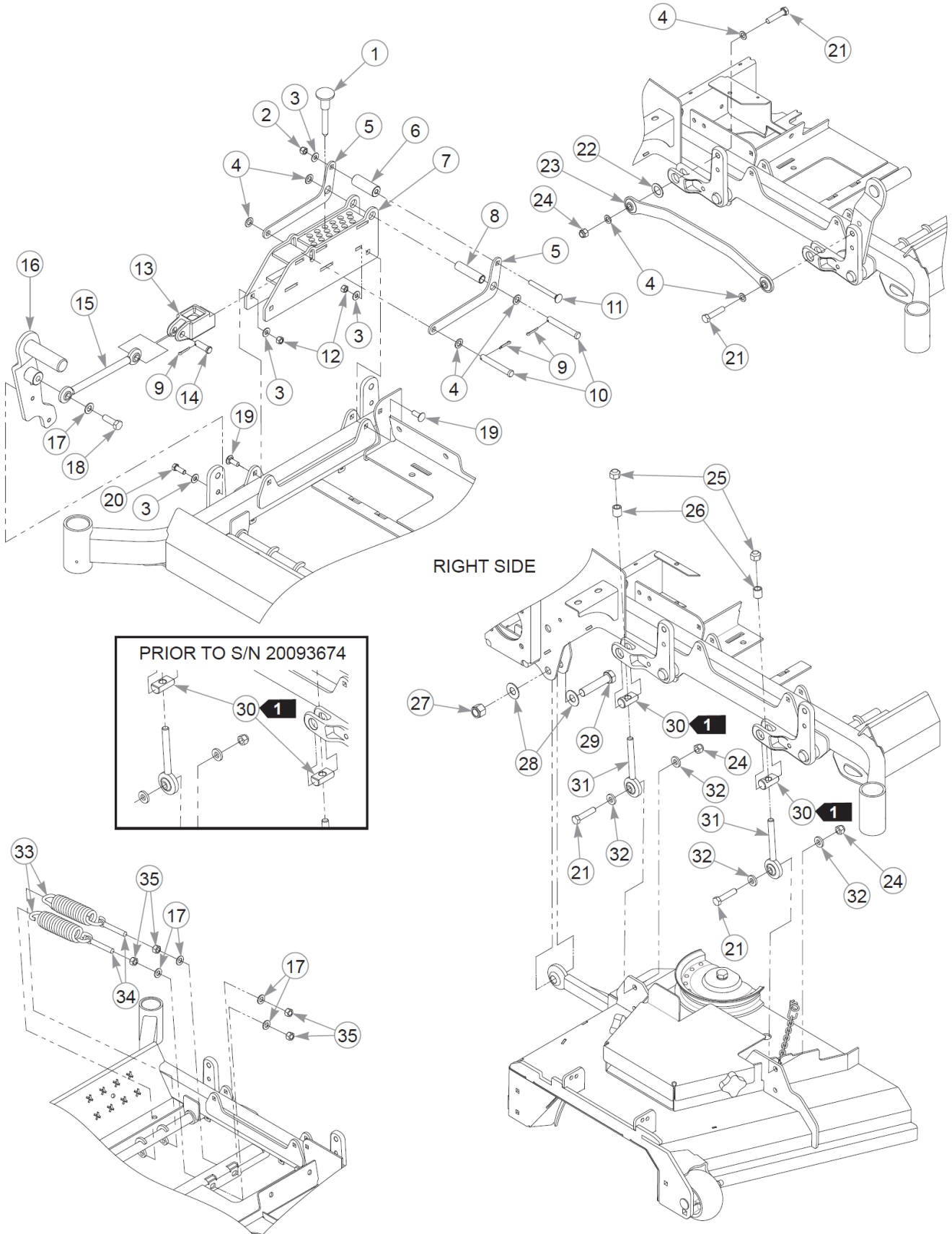
Deck, Pulley Covers, Belt, & Blades (Multi-Page)

54" RD X-ONE Parts Manual - 938928CE - HTX1TR054KAWFX850VC

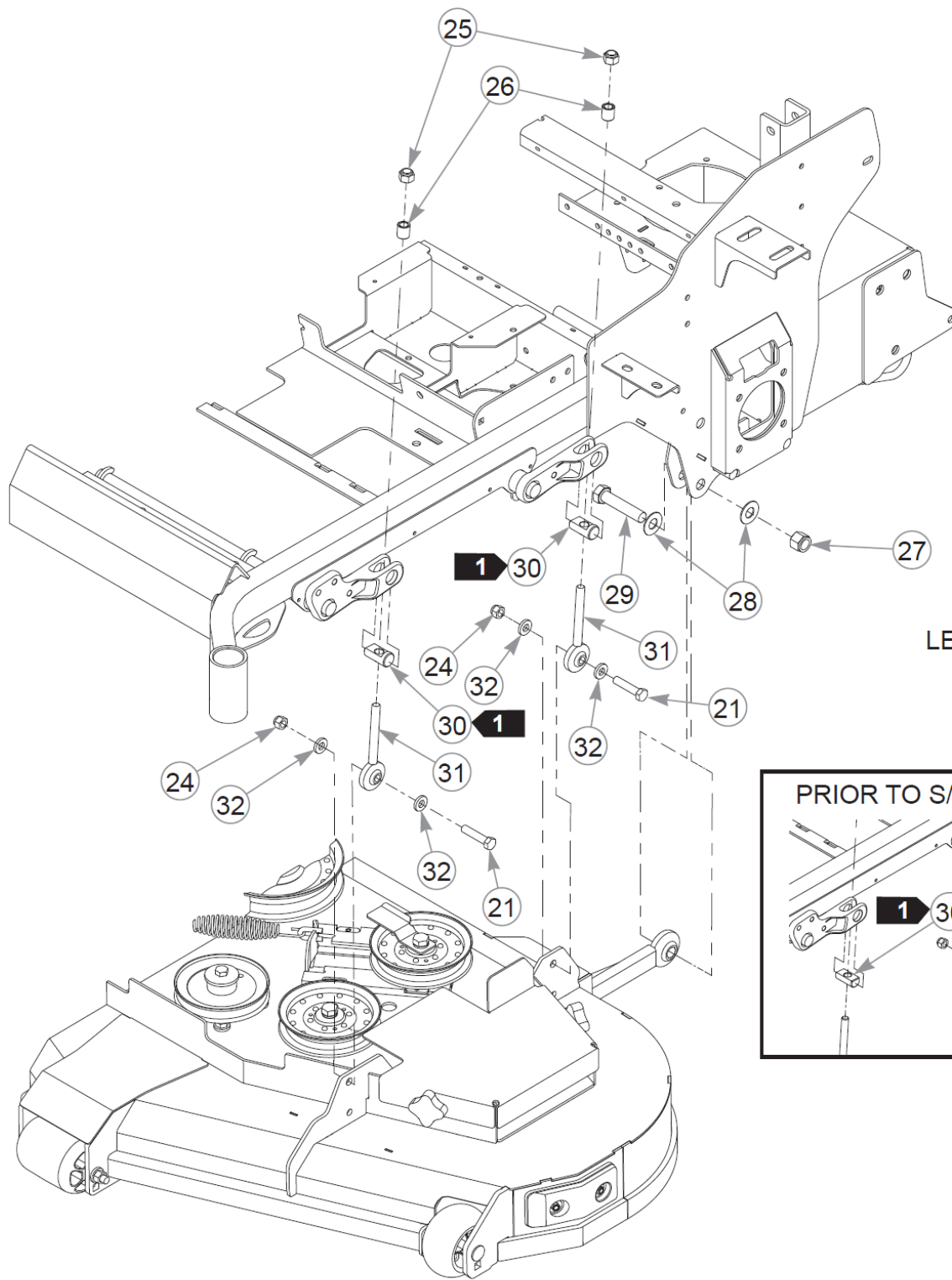
Item	Part No.	Qty	Name
Not Shown	797704	3	BLADE, 18.50"-MUL-F-CW
Not Shown	797704X	1	10PK BLADE, 18.50"-MUL-F
Not Shown	797712	3	BLADE, 18.50"-GAT-F-CW
Not Shown	797712X	1	10PK BLADE, 18.50"-GAT-F
34	782474	3	CW .678 X 2.250 X .187
35	781872	3	CS .625-11X1.250HXG5

Comments for Page: Deck, Pulley Covers, Belt, & Blades (Multi-Page)

1. Torque to 4–8 N•m.
2. Torque to 160 N•m.
- 3 The pulley covers include the decal.



This page intentionally left blank



Deck Lift & Deck Height (Multi-Page)

54" RD X-ONE Parts Manual - 938928CE - HTX1TR054KAWFX850VC

Item	Part No.	Qty	Name
1	606918	1	MAGNETIC PIN, 1/2 x 3.13
2	086660	1	NT .375-16NLG8
3	767954	7	FW 0.379X.82X.06 HD ZN
4	718288	7	FW .516X.88X.09 ZN
5	124361-4	2	LATCH HANDLE
6	117489	1	SPACER, LATCH
7	124357-1	1	DECK HEIGHT W/A
8	604075	1	SPACER, CYLINDER
9	017251	3	CP .156DX1.000 LG HML Z
10	025965	2	CE .500X3.50 .156X3.34
11	041848	1	CB .375-16X 3.500 FUL Z
12	054502	4	NT .375-16HXG5
13	606895	1	SLIDER, DECK LIFT
14	068056	1	CE .500X1.50 .150X1.32
15	122994	1	DECK HEIGHT LINK, W/A
16	124291-1	1	PEDAL W/A
17	004168	5	FW .531x1.00x.090 ZN
18	074252	1	CS .500-13X1.50 HX G5 ZN
19	025395	4	CB .375-16X 1.00 G5 ZN
20	036244	2	CS .375-16X1.00 HX G5 ZN
21	761544	6	CS .500-13X2.250HXG8
22	122996	1	LINK SPACER
23	122987	1	DECK LIFT LINK, W/A
24	781567	5	NT .500-13NLG5
25	606316	4	NT 0.563-18 NLGC
26	606292	4	DECK LEVEL SPACER
27	061101	2	NT .750-10 HX ZN NL GR B
28	025296	4	FW .760X1.63X0.08 ZN
29	789115	2	CS .750-10X3.500HXG5
30	607979	4	DECK LEVEL PIVOT
Not Shown	606291	4	DECK LEVEL PIVOT
31	606290	4	W/A DECK LEVEL ROD END
32	767962	8	FW .531 x 1.063 x .175
33	606454	2	SPRING, EXT 7.0 300LB/IN
34	606478	2	EB, .500-13X3.00 FULTHD
35	008193	4	NT .500-13HXG5

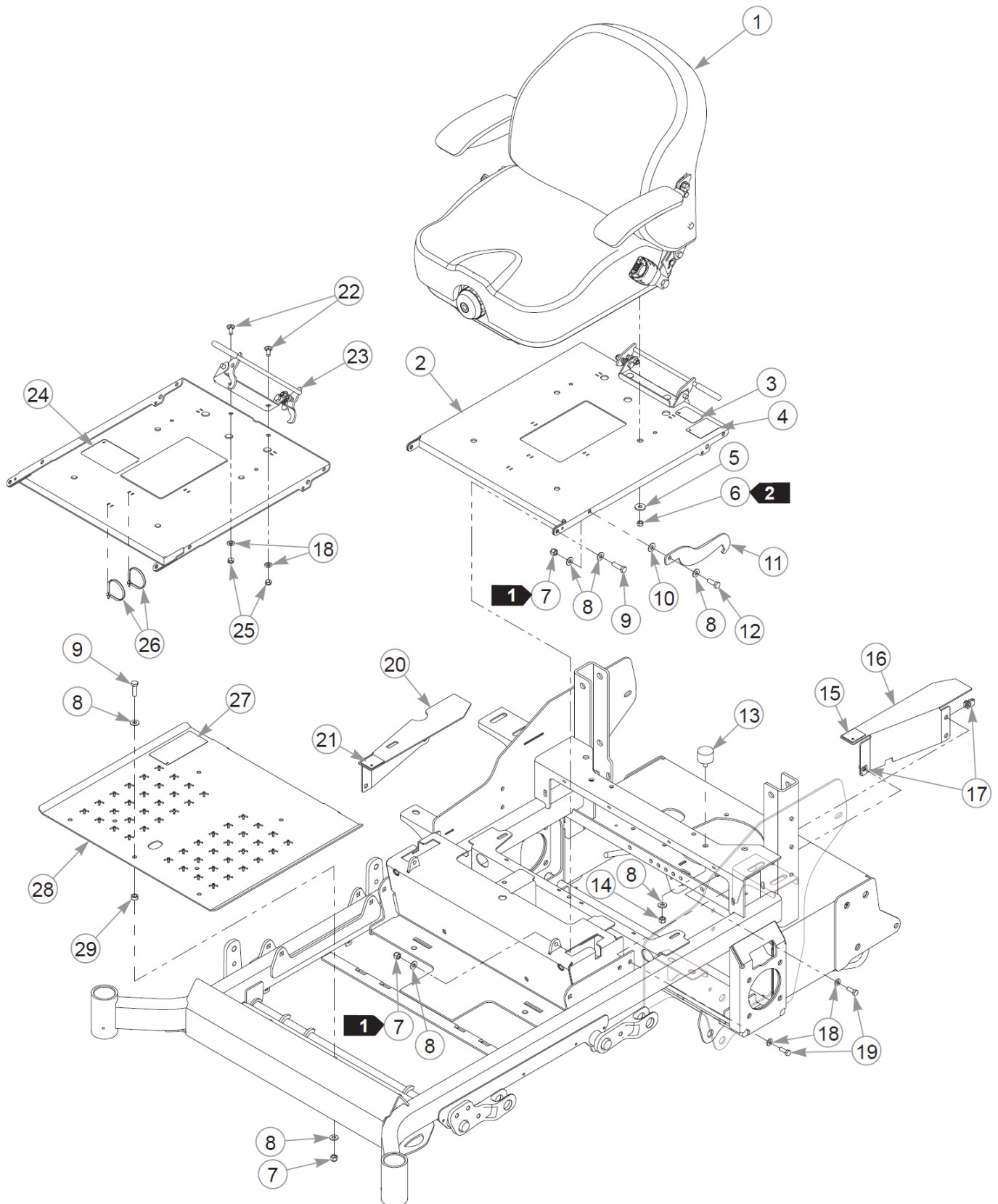
Deck Lift & Deck Height (Multi-Page)

Comments for Page: Deck Lift & Deck Height (Multi-Page)

1. 607979 is used on mowers S/N 20093674 & HIGHER.

606291 is used on mowers S/N PRIOR TO 20093674.

This page intentionally left blank

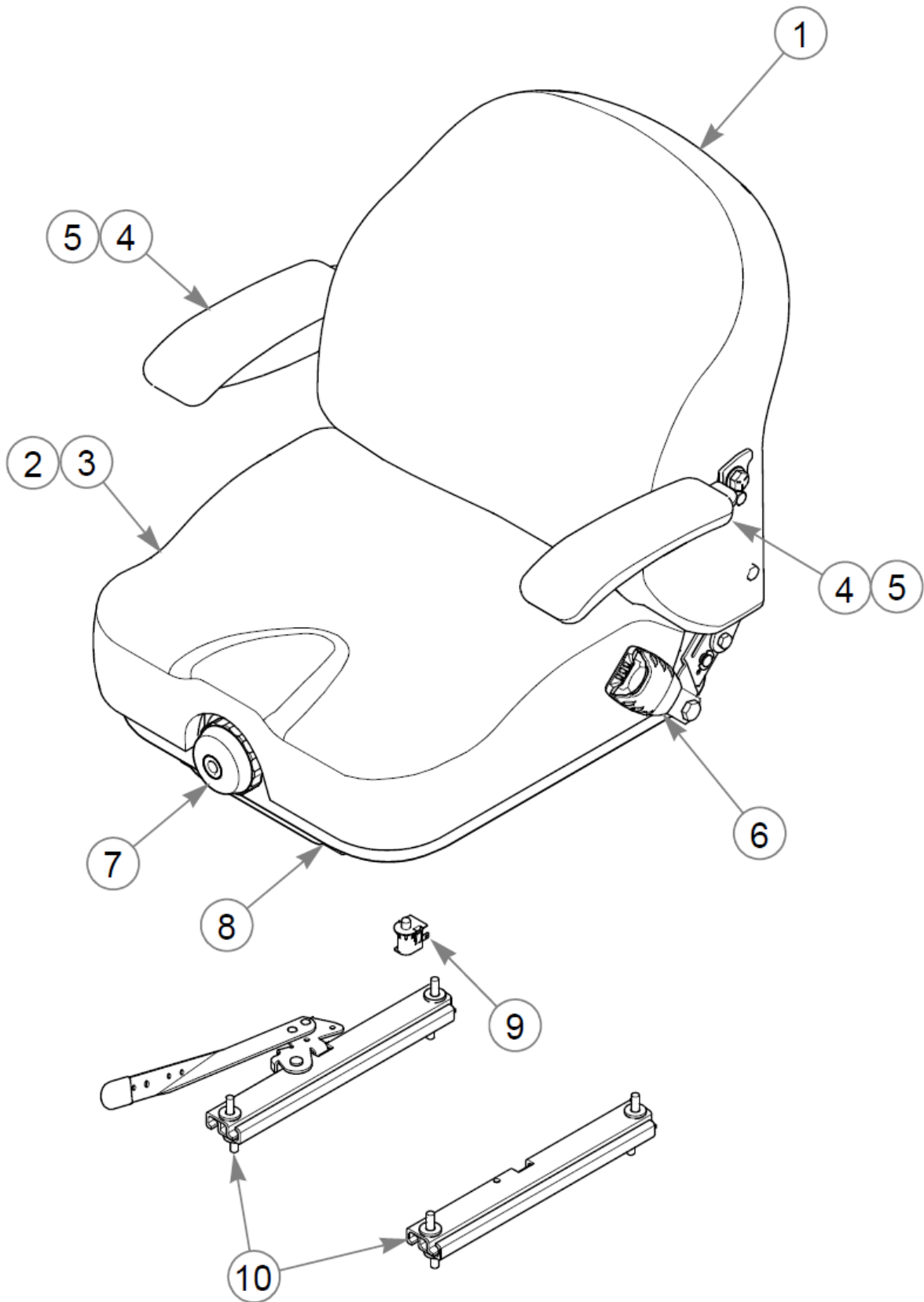


Seat & Floor Pan

Item	Part No.	Qty	Name
1	607706	1	SEAT, I3M SEATS INC
2	555027	1	SVC, SEAT PAN
3	605688	1	DECAL, LEVEL FUEL FILL
4	785188	1	DECAL, Z ARMREST WARNING
5	712927	4	FW 0.344X1.00X.12 HD ZN
6	058776	4	NT .312-18NLG5
7	086660	4	NT .375-16NLG8
8	767954	10	FW 0.379X.82X.06 HD ZN
9	052860	3	CS .375-16X1.25 HX G5 ZN
10	724716	1	WASHER, FIBER (FS)
11	350421	1	SEAT PAN STOP (PLATED)
12	036244	1	CS .375-16X1.00 HX G5 ZN
13	601650	2	VIBRATION MOUNT 70DURO
14	054502	2	NT .375-16HXG5
15	785139	1	DECAL, STEERING L.S.
16	554963	1	SVC, FRAME COVER LH - CE
17	601069	5	CN .312-18x.200 MAX THK
18	768523	7	FW 0.343SAE
19	064014	5	CS .312-18X0.875HXG5
20	550824	1	FRAME COVER RS, SERVICE
21	785220	1	DECAL, STEERING R.S.
22	016253	2	CB .312-18X .750 FUL ZN
23	605907	1	LATCH ASSEMBLY
24	601815	1	DECAL, BATTERY WARNINGS
25	034272	2	NT .312-18HXG5
26	000331	2	WIRE TIE, SMALL/SHORT
27	607023	1	DECAL, DECK HEIGHT CE
28	554565	1	SVC, FLOOR PAN
29	118900	1	SPACER, DECK LIFT LINK

Comments for Page: Seat & Floor Pan

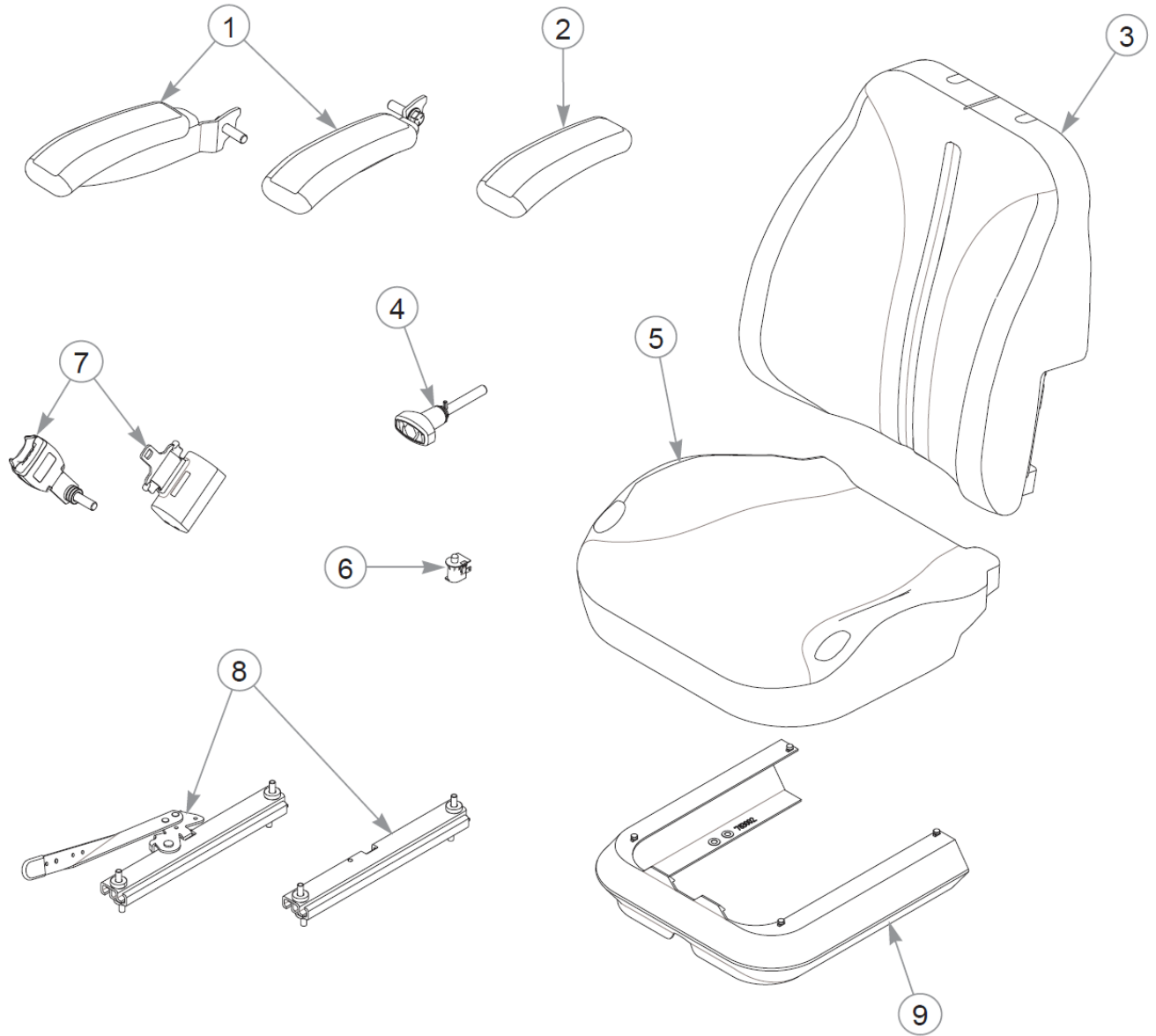
1. Do not torque; the seat pan and seat pan stop must pivot freely.
2. Torque to 23 N•m.



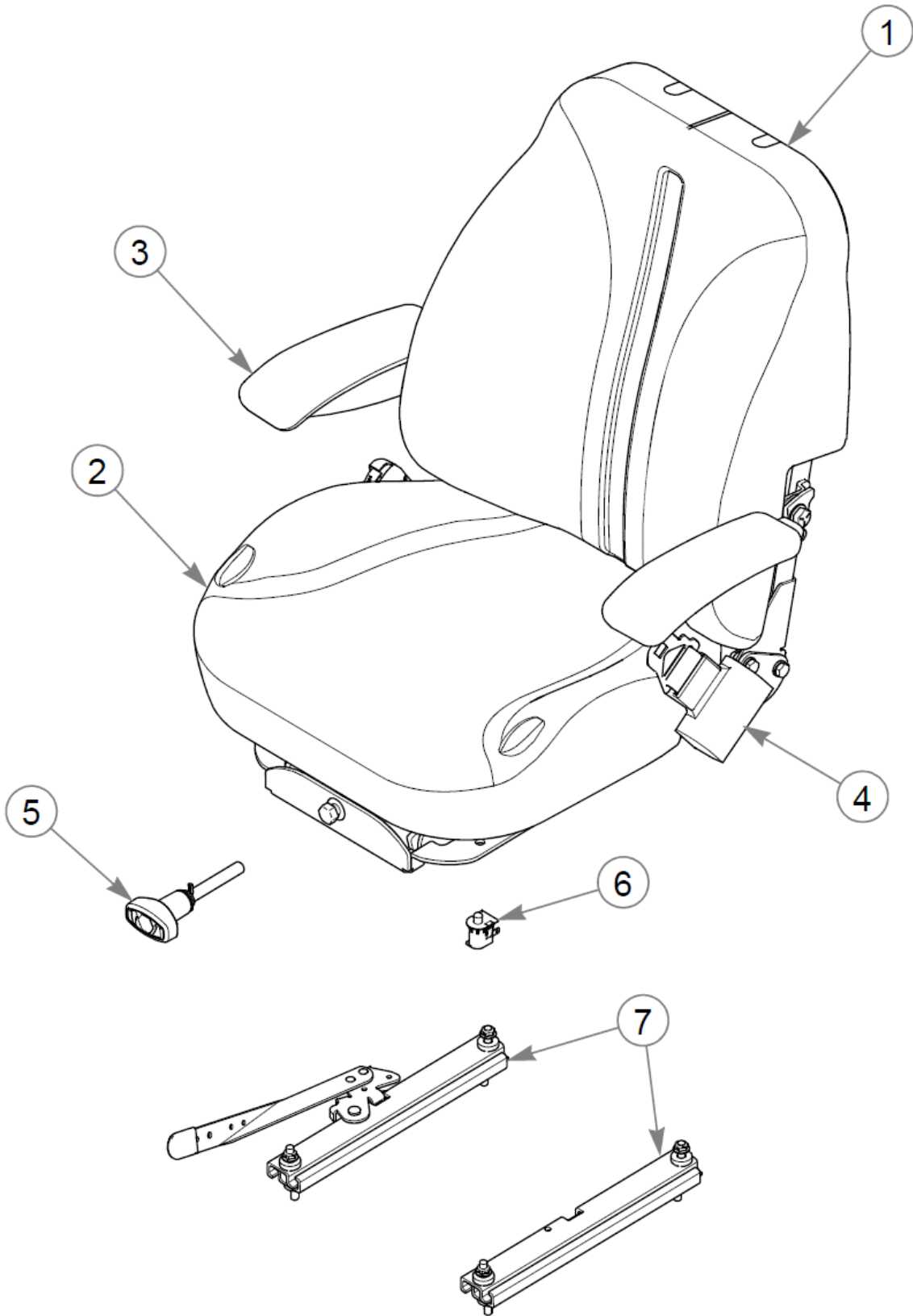
Seat Service Parts - S/N 19080324 & HIGHER

54" RD X-ONE Parts Manual - 938928CE - HTX1TR054KAWFX850VC

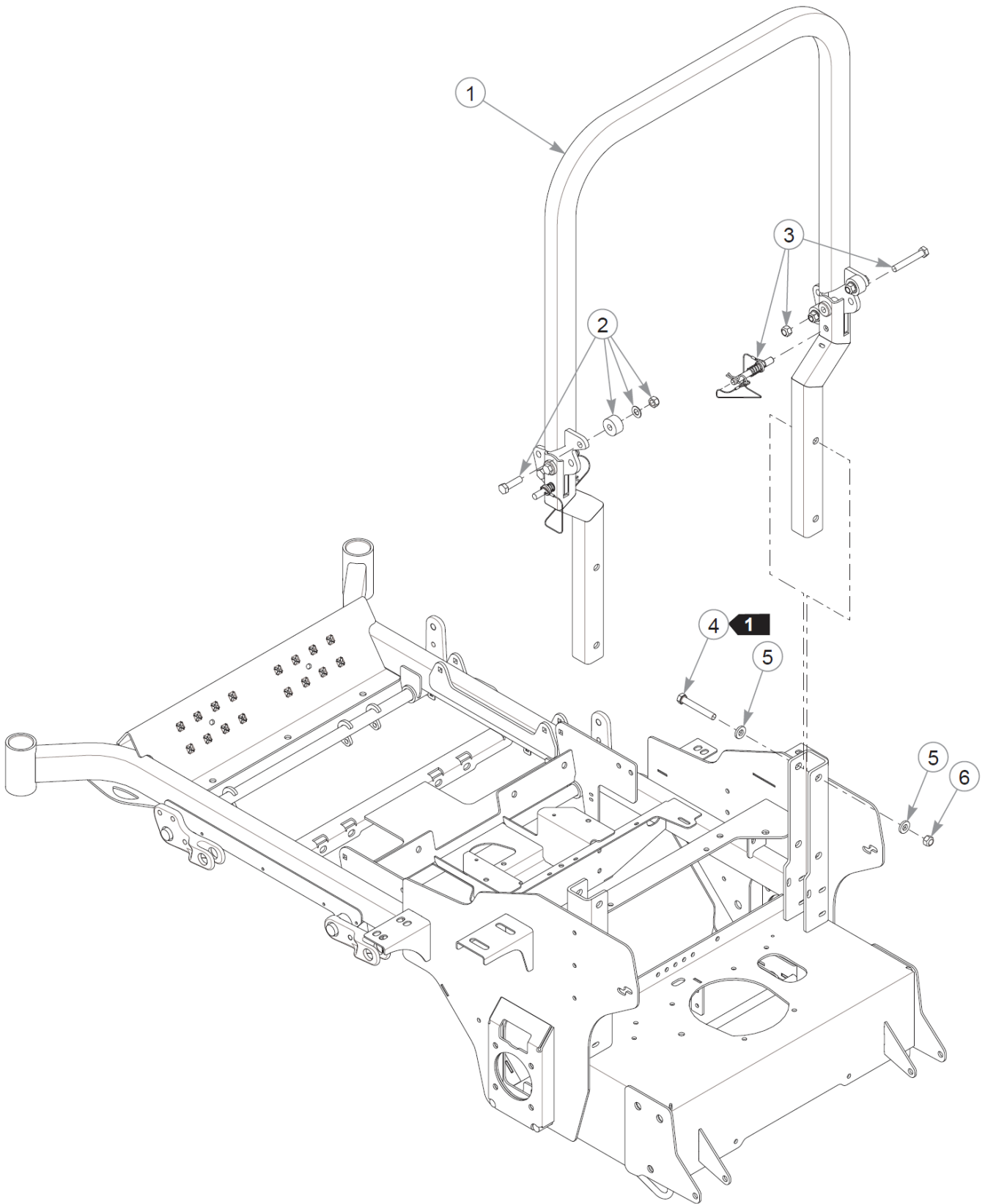
Item	Part No.	Qty	Name
Not Shown	607706	1	SEAT, I3M SEATS INC
1	607707	1	SVC, SEAT BACK COVER
2	608351	1	SVC, SEAT FOAM I3M
3	607708	1	SVC, SEAT CUSHION COVER
4	607166	1	SVC, ARM REST KIT
5	606081	2	SVC, ARM PADS
6	607207	1	SVC, SEAT BELT
7	607206	1	SVC, KNOB KIT
8	607205	1	SVC, BELLOWS
9	606082	1	SVC, OPS
10	607204	1	SVC, TRACK KIT



Item	Part No.	Qty	Name
1	606080	1	SVC, ARMREST SET
2	606081	1	SVC, ARM PADS
3	607216	1	SVC, SEAT BACK COVER
4	607214	1	SVC RIDE ADJUST KNOB
5	607228	1	SVC, SEAT CUSHION COVER
6	606082	1	SVC, OPS
7	607461	1	SVC, SEAT BELT KIT
8	607459	1	SVC, SEAT TRACK KIT
9	607460	1	SVC, RUBBER BELLOW



Item	Part No.	Qty	Name
607096	607458	1	SEAT, SEATS INC 1110
1	607216	1	SVC, SEAT BACK COVER
2	607228	1	SVC, SEAT CUSHION COVER
3	606080	1	SVC, ARMREST SET
4	607215	1	SVC, SEAT BELT KIT
5	607214	1	SVC RIDE ADJUST KNOB
6	606082	1	SVC, OPS
7	607212	1	SVC, SEAT TRACK KIT



ROPS

Item	Part No.	Qty	Name
1	605639	1	S/C TO 608230
2	605731	2	KIT, POLY STOP (SET)
3	605638	1	ROPS HARDWARE KIT
4	061812	4	CS .500-13X3.50 HX G5 ZN
5	767962	8	FW .531 x 1.063 x .175
6	023317	4	NT .500-13UNTG8

Comments for Page: ROPS

1. Torque to 99 N•m.