

Hustler® Parts Manual



HUSTLER®
TURF EQUIPMENT

200 South Ridge Road

Hesston, Kansas

67062



NOTICE OF REQUIREMENT OF SPARK ARRESTER MUFFLER

This equipment may create sparks that can start fires around dry vegetation. California Public Resources Code Section 4442.6 provides that it is unlawful to use or operate an internal combustion engine on any forest-covered, brush-covered, or grass-covered land unless the engine is equipped with a spark arrester maintained in effective working order. A spark arrester is a device constructed of nonflammable materials specifically for the purpose of removing and retaining carbon and other flammable particles over 0.0232 of an inch in size from the exhaust flow of an internal combustion engine that uses hydrocarbon fuels or which is qualified and rated by the United States Forest Service. Other states or federal areas may have similar laws. The Operator Should Contact Local Fire Agencies For Laws or Regulations Relating to Fire Prevention Requirements. **THIS EQUIPMENT DOES NOT HAVE A SPARK ARRESTER AND YOU SHOULD CONTACT YOUR AUTHORIZED DEALER FOR THE PURCHASE OF A SPARK ARRESTER.**

Inspect spark arrester daily; replace every 500 hours or as needed.

The Engine Owner's Manual provides information regarding the U.S. Environmental Protection Agency (EPA) and the California Emission Control Regulation of emission systems, maintenance and warranty.

Keep Engine Owner's Manual with your unit. Should the Engine Owner's Manual become damaged or illegible, replace immediately. Replacements may be ordered per the information found in the Product Information section of the owner's manual.

Federal law and California State law prohibit the following acts or the causing thereof:

1. The removal or rendering inoperative by any person other than for purposes of maintenance, repair, replacement, of any device or element of design incorporated into any equipment for the purposes of emissions control prior to or after its sales or delivery to the ultimate purchaser or while it is in use, or
2. The use of the equipment after such device or element of design has been removed or rendered inoperative by any person.

General Information	1
Frame, Footrest & Engine Cover	
Frame	3-1
Footrest	3-2
Engine Cover (Multi-Page)	3-3
Radiator & Air Cleaner Support	3-4
Hydraulic System, Steering & Brake	
Hydraulic System - S/N 20114274 & HIGHER (Multi-Page)	4-1
Pump Assembly Breakdown	4-2
Hydraulic Filter and Reservoir Assembly Breakdown	4-3
Manifold Assembly Breakdown	4-4
Wheel Motor Breakdown	4-5
Steering	4-6
Steering Cover Assembly (Multi-Page)	4-7
RS Steering Box Assembly Breakdown	4-8
LS Steering Box Assembly Breakdown	4-9
Brake	4-10
Wheels & Tires	
Wheel & Tire	5-1
Front Wheel Assembly Breakdown	5-2
Drive Wheel Breakdown	5-3
Engine, Muffler, Fuel System, Drive Belt, Clutch, Air Cleaner & Cooling System	
Engine, Oil Filter, Fuel Filter & Muffler - S/N 19060988 & HIGHER (Multi-Page)	6-1
Engine, Oil Filter, Fuel Filter & Muffler - S/N Prior to 19060988 (Multi-Page)	6-2
Air Cleaner	6-3
Clutch & Drive Belt	6-4
Cooling System	6-5
Fuel System	6-6
Fuel Tank Service Parts	6-7
Instrument Panel, Wire Harness & Battery	
Instrument Panel & Wire Harness	7-1
Battery	7-2
Deck, Deck Belt, Blades & Deck Lift	
Service Deck	8-1
Deck Pulleys & Spindles - S/N 20103723 & HIGHER (Multi-Page)	8-2
Spindle Assembly Service Parts - 607407	8-3
Deck Belts, Pulley Covers & Blades	8-4
Dust Shield	8-5
Deck Lift & Mounting Hardware (Multi-Page)	8-6
Seat & ROPS	
Seat	9-1
Seat Service Parts	9-2
ROPS & Firewall	9-3

General Information

Note: When ordering parts, you must use the part number as shown for each part, not the index number. Always give the model and serial number to your parts and service representative.

Note: Items sold in bulk such as seals and hoses are sold by the foot.

Using This Manual

This manual is part of a service package for the Hustler® mowers. Use of this manual in conjunction with other Hustler® mower and component manuals will provide the information necessary to service and maintain Hustler® mowers.

This Parts Manual provides a complete parts listing for the unit. Use this manual when ordering parts. Illustrations used were current at the time of printing, but subsequent production changes may cause your machine to vary slightly in detail. Excel Industries, Inc. reserves the right to redesign and change the machine as deemed necessary, without notification. If a change has been made to your machine which is not reflected in this parts manual, see your authorized dealer for current information and parts.

The Service Manual is a service guide for use by Service Technicians. It provides the necessary information needed to perform normal maintenance requirements on these units.

The Operator's Manual provides fundamental operational information and operational safety that is needed when operating the mower.

The component manuals are furnished by the various manufacturers to be used for the troubleshooting and servicing of their products.

Hardware Description Codes & Abbreviations

The following codes are used throughout this parts manual. Refer to this list when ordering parts.

ABBREVIATION	DESCRIPTION	ABBREVIATION	DESCRIPTION
CB	CARRIAGE BOLT	MB	MACHINE BUSHING
CE	CLEVIS PIN	MS	MACHINE SCREW
CN	CLIP NUT	NT	NUT
CP	COTTER PIN	SC	SELF TAPPING CAP SCREW
CS	CAP SCREW	SH	SOCKET HEAD
CW	CUP WASHER	SB	SHOULDER BOLT
FDRW	FENDER WASHER	SS	SET SCREW
FW	FLAT WASHER	OD	OUTSIDE DIAMETER
HX	HEX HEAD	ID	INSIDE DIAMETER
LW	LOCK WASHER	WN	WELD NUT

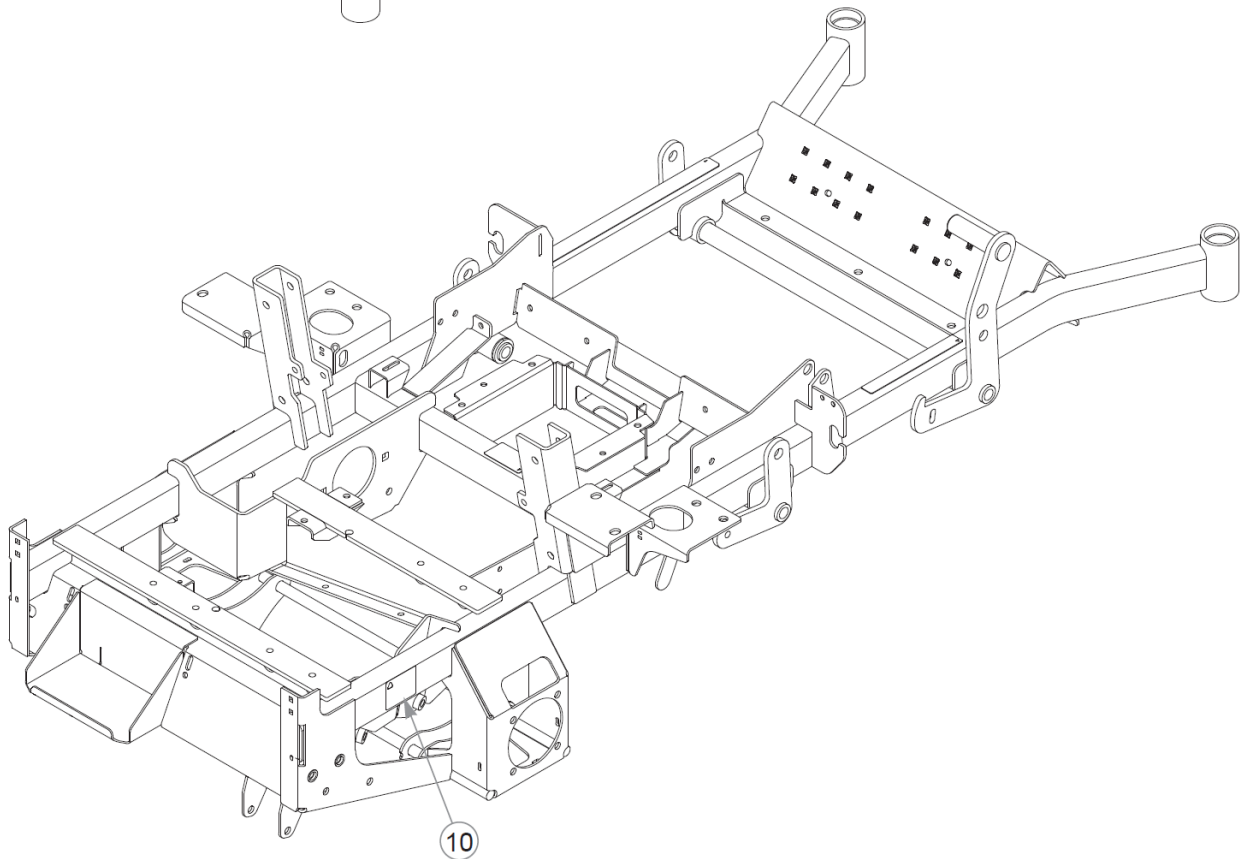
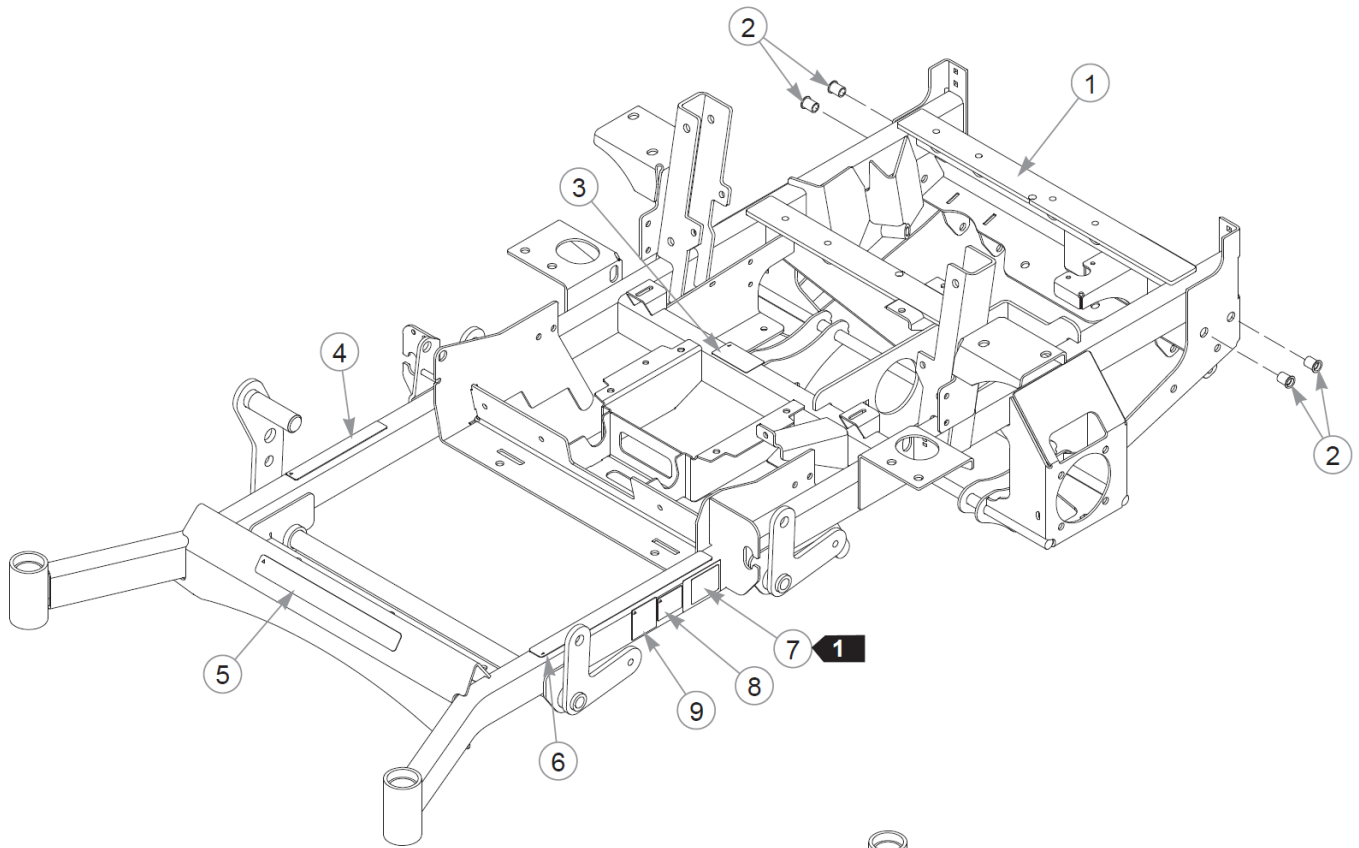
Standard Torques

The following chart lists the standard torque values for the threaded fasteners found in this manual. Torque all cap screws, nuts and set screws to these values unless a different torque is shown in the Notes section next to the fastener.

SIZE	FT-LBS	N•M	SIZE	FT-LBS	N•M
.250	8.2	11.1	M3	1	1.3
.312	17	23	M4	2.2	3
.375	30	40	M5	4.5	6.1
.438	48	65	M6	7.7	10.4
.500	73	99	M8	18.5	25
.562	105	143	M10	37	50
.625	145	200	M12	64	87
.750	260	350	M14	80	108.5
.875	420	565	M16	160	215
1.00	625	850	M20	320	435
			M24	555	750

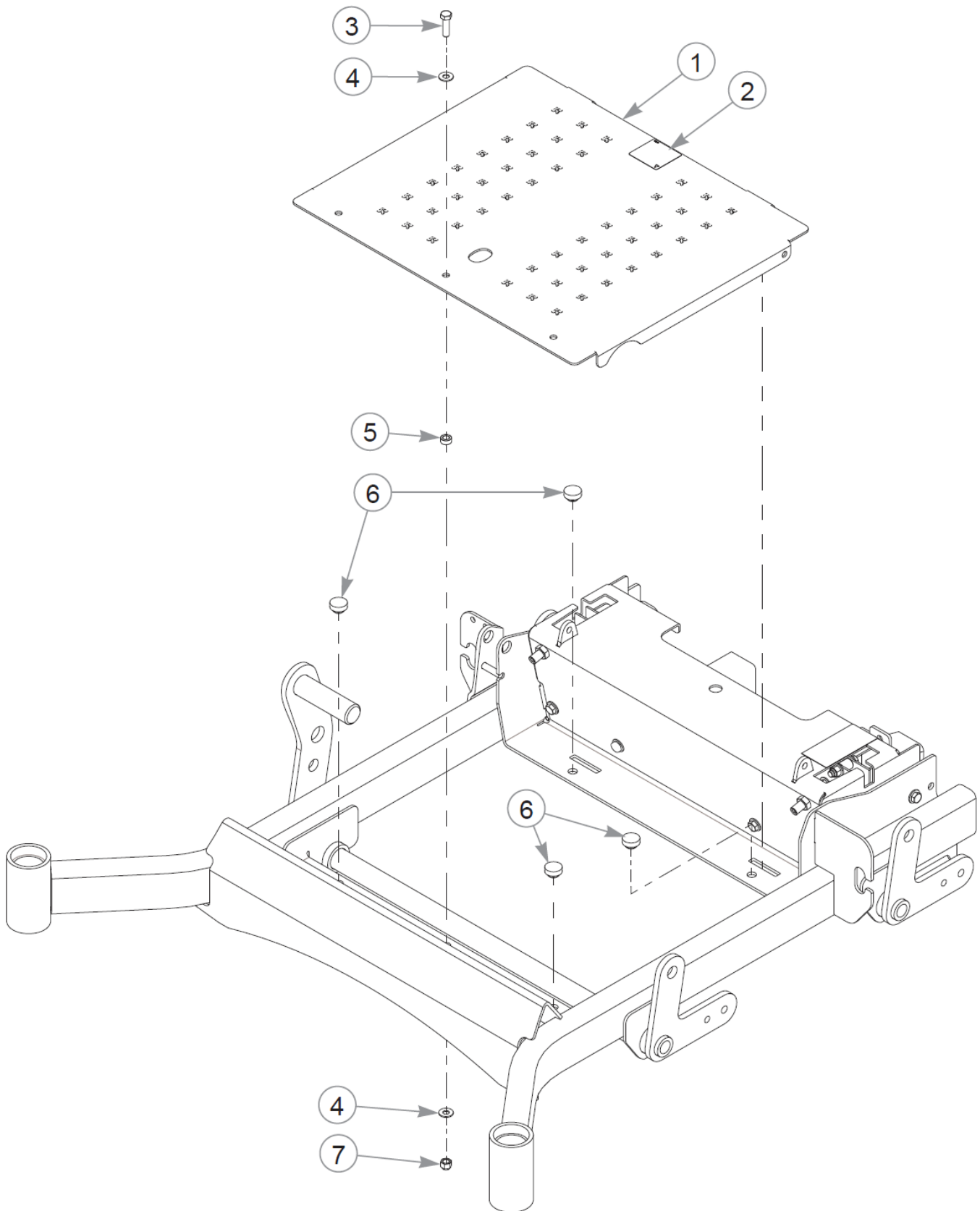
This page intentionally left blank

Frame



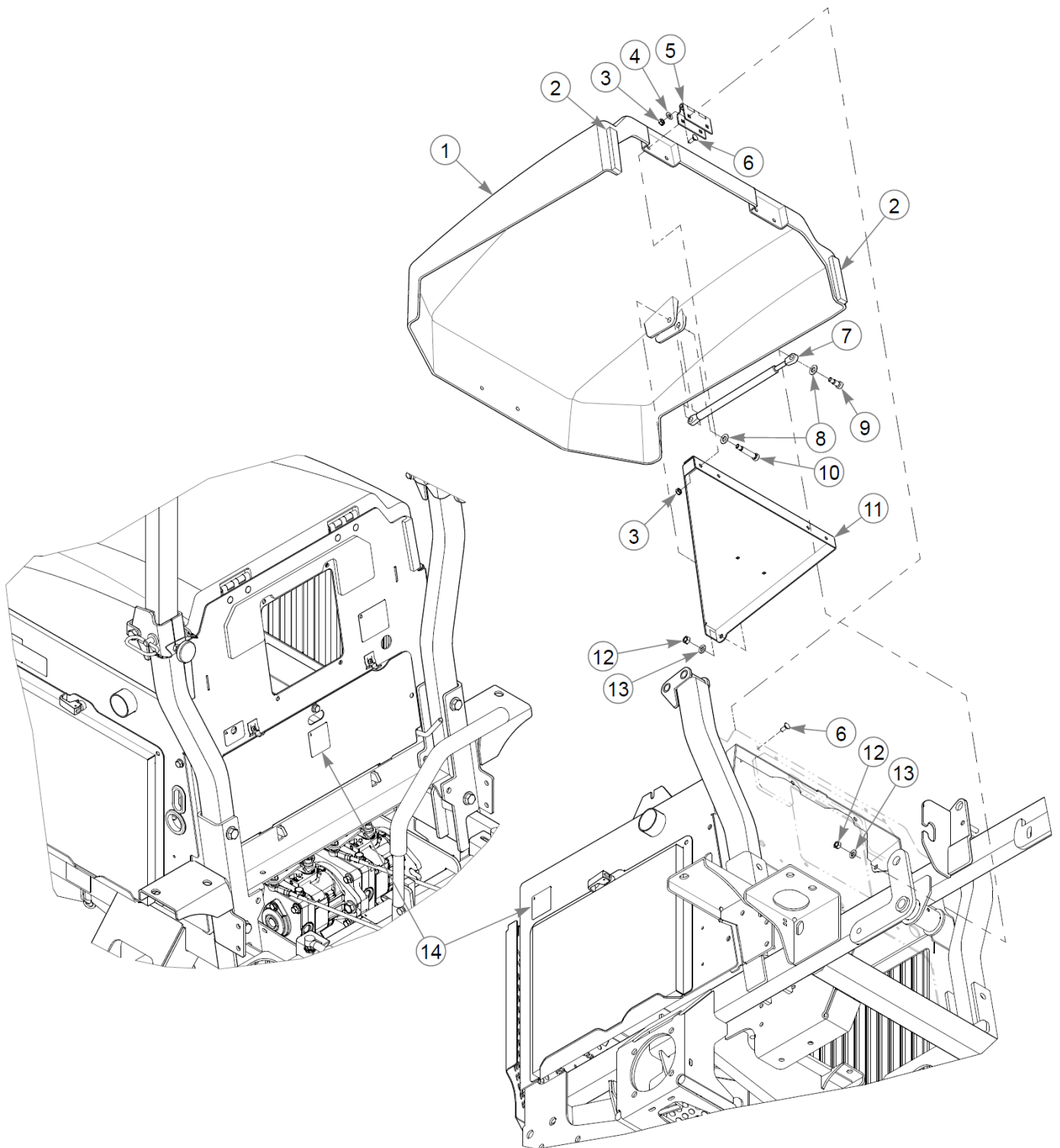
Frame

Item	Part No.	Qty	Name
1	551155CE	1	SERVICE FRAME, 60"
2	600961	4	RIVET NUT, 1/2-13 THREAD
3	601968	1	DECAL, HYDRAULIC PRESS
4	781427CE	1	DECK HEIGHT INDICATOR DECAL
5	602407	1	DECAL, HUSTLER ID
6	601993	1	DECAL, SAFE OPERATION
7	N/A	1	SERIAL NUMBER / SPEC DECAL
8	776310	1	DECAL, CE MARK
9	789776CE	1	DBA LIMIT DECAL
10	601596	1	DECAL, BELT ROUTING



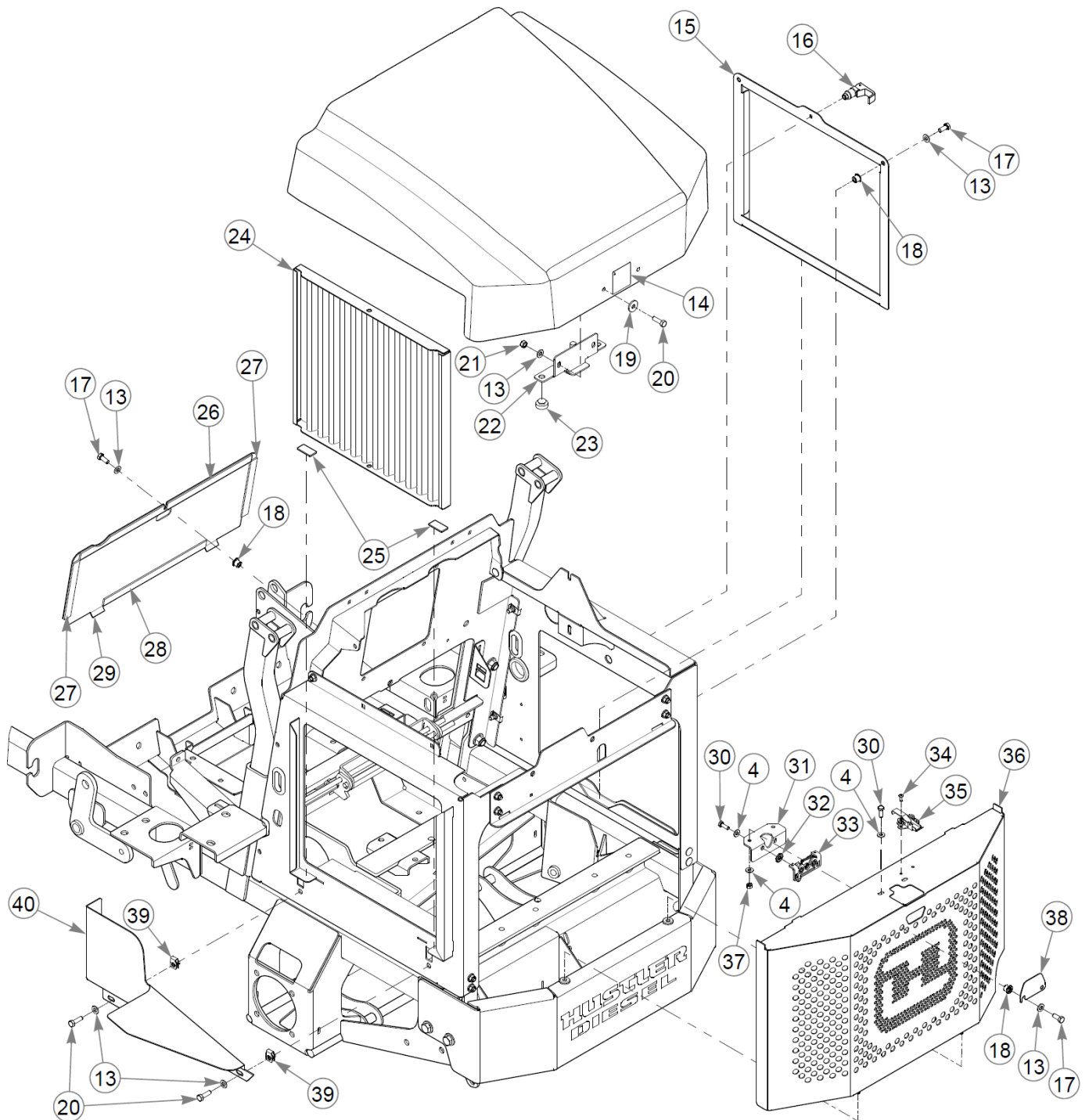
Footrest

Item	Part No.	Qty	Name
1	551139	1	FLOORPAN, SERVICE
2	602562	1	DECAL, NO SERVICE
3	052860	1	CS .375-16X1.25 HX G5 ZN
4	767954	2	FW 0.379X.82X.06 HD ZN
5	118900	1	SPACER, DECK LIFT LINK
6	781880	4	BUMPER, .500x 1.00x .31
7	086660	1	NT .375-16NLG8



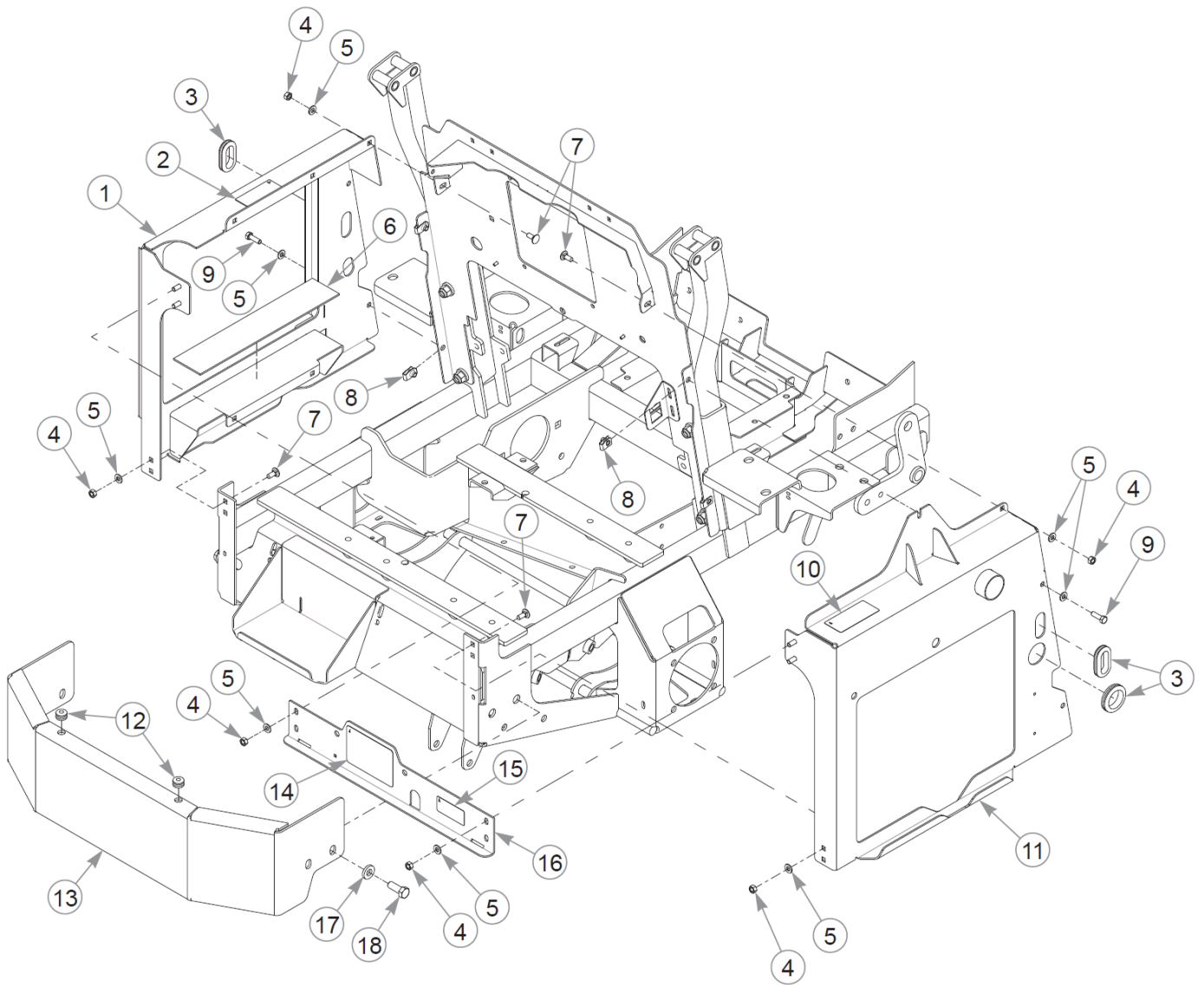
Engine Cover (Multi-Page)

Item	Part No.	Qty	Name
1	601363	1	HOOD, HDZ
2	713198	2	SEAL 3/8x3/4 SOLD BY FT
3	068551	8	NT .250-20 HXZY NL
4	768515	10	FW 0.281SAE
5	601364	2	HINGE, 3"X3" ZN W/ HOLES
6	601503	8	CB .250-20 X .625 ZN
7	601564	1	GAS SPRING, HDZ HOOD
8	767954	2	FW 0.379X.82X.06 HD ZN
9	063297	1	SB0.375X0.500SH0.312-18
10	601379	1	SB .375 X 1.50SH .312-18
11	109745	1	LIFT SUPPORT W/A
12	034272	2	NT .312-18HXG5
13	768523	10	FW 0.343SAE
14	602562	3	DECAL, NO SERVICE
15	109341	1	SCREEN, RS W/A HDZ
16	791384	1	LATCH, HEAVY DUTY SWELL
17	034280	4	CS .312-18X0.750HXG5
18	808485	4	RIVET NUT, 5/16-18 THRE
19	712927	2	FW 0.344X1.00X.12 HD ZN
20	036236	4	CS .312-18X1.000HXG5
21	058776	2	NT .312-18NLG5
22	109722	1	LATCH STRIKER W/A
23	781880	2	BUMPER, .500x 1.00x .31
24	109137	1	RADIATOR SCREEN W/A HDZ
25	033035	2	WEATHERSTRIP .12X.75
26	033035	1	WEATHERSTRIP .12X.75
27	033035	2	WEATHERSTRIP .12X.75
28	033035	1	WEATHERSTRIP .12X.75
29	109136	1	PANEL, FIREWALL ACCESS
30	055939	4	CS .250-20X0.75 HX G5 ZN
31	124364-1	1	LATCH BRACKET
32	029868	2	LW .250 INTEXT ZN
33	601373	1	LATCH, SLAM SOUTHCO
34	601089	2	RIVET .188 DIA BLK HD
35	758821	1	OVER CNTR CATCH W/LCK H
36	109413	1	COVER, REAR W/A HDZ



Engine Cover (Multi-Page)

Item	Part No.	Qty	Name
37	024927	2	NT .250-20HXG5
38	109720	1	PLATE, LATCH COVER LOCK
39	601069	2	CN .312-18x.200 MAX THK
40	109559	1	FENDER, INNER PANEL

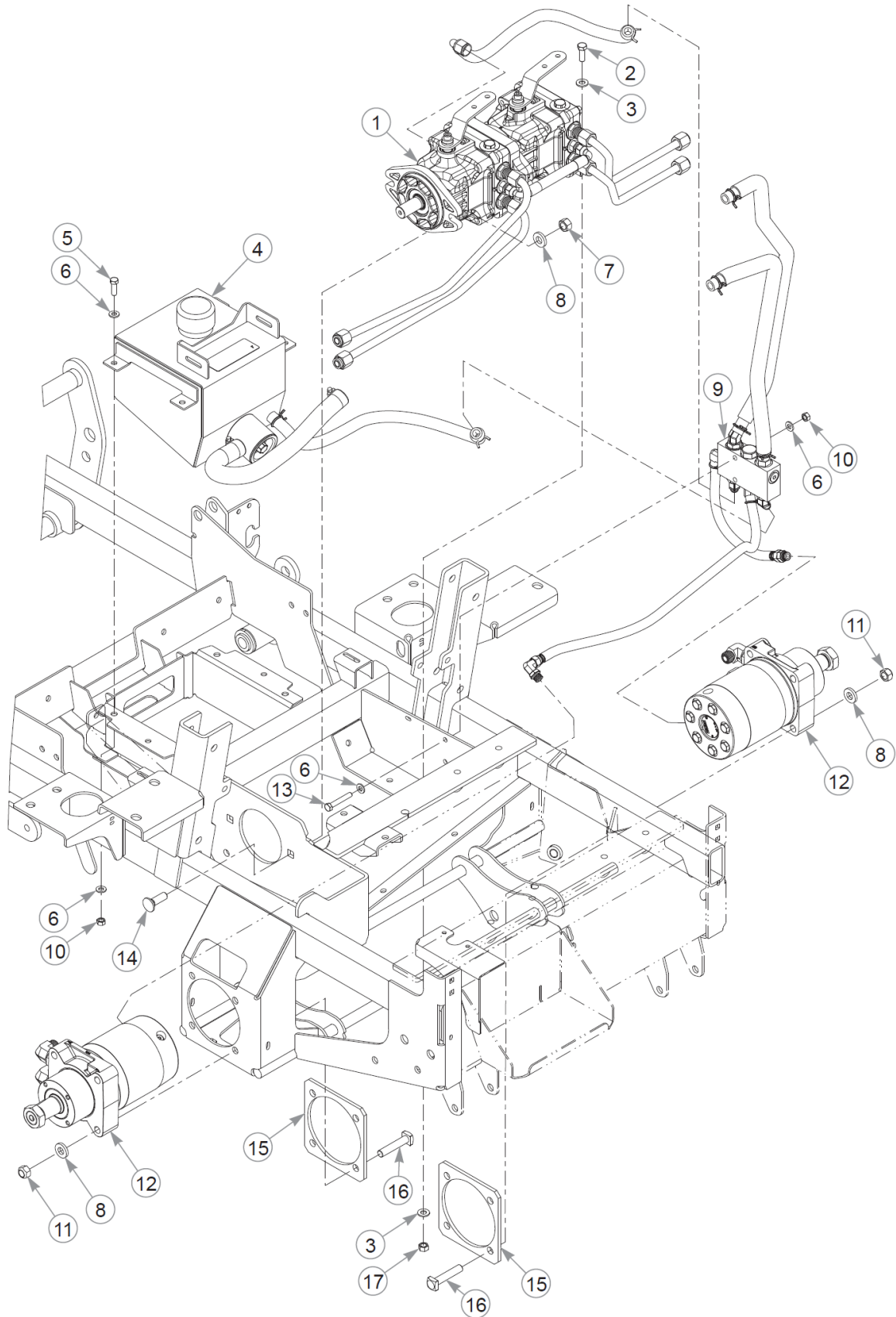


Radiator & Air Cleaner Support

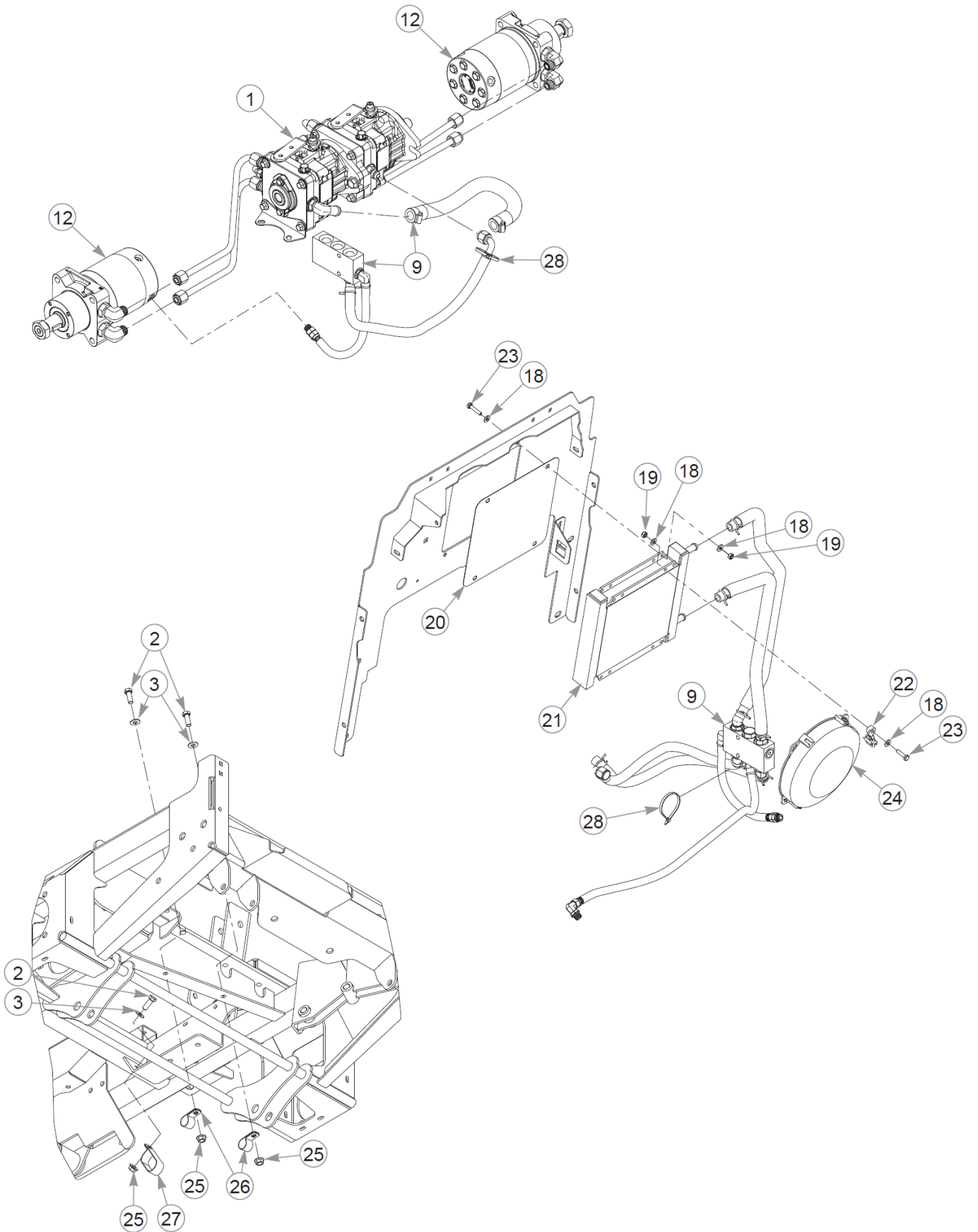
Item	Part No.	Qty	Name
1	551141	1	RADIATOR SUPPORT,
2	763805CE	1	FAN WARNING DECAL
3	794644	3	GM 1.50 X 2.12 X 1.75
4	034272	10	NT .312-18HXG5
5	768523	14	FW 0.343SAE
6	601558	1	RADIATOR SUPPORT PAD
7	016253	6	CB .312-18X .750 FUL ZN
8	601069	4	CN .312-18x.200 MAX THK
9	036236	4	CS .312-18X1.000HXG5
10	601967	1	DECAL, ENGINE COMPART
11	551142	1	AIR CLEANER MOUNT,
12	031666	2	GM .31X.81X.56X.18
13	109105	1	GUARD, REAR ENGINE W/A
14	601815	1	DECAL, BATTERY WARNINGS
15	602041	1	DECAL, HOT
16	551143	1	OVERFLOW BOTTLE MOUNT
17	767962	4	FW .531 x 1.063 x .175
18	705954	4	CS .500-13X1.25 HX G5 ZN

Comments for Page: Radiator & Air Cleaner Support

1. The radiator screen, air cleaner mounting panel and hood support angle include decals.

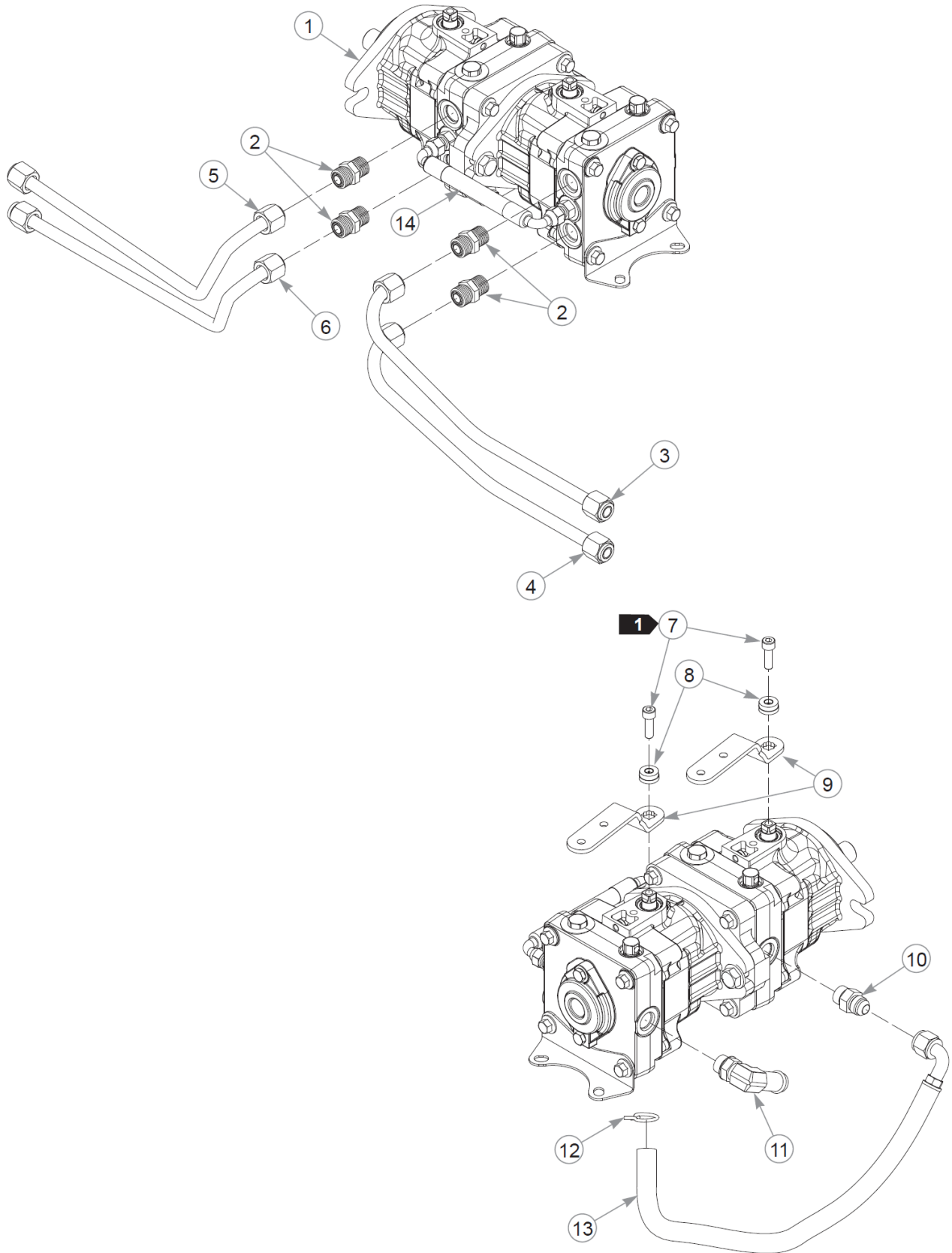


Item	Part No.	Qty	Name
1	N/A	1	REFER TO "PUMP ASSEMBLY"
2	036244	5	CS .375-16X1.00 HX G5 ZN
3	767954	7	FW 0.379X.82X.06 HD ZN
4	N/A	1	REFER TO "RESERVOIR ASSEMBLY"
5	036236	4	CS .312-18X1.000HXG5
6	768523	12	FW 0.343SAE
7	008193	2	NT .500-13HXG5
8	767962	10	FW .531 x 1.063 x .175
9	N/A	1	REFER TO "MANIFOLD ASSEMBLY"
10	034272	6	NT .312-18HXG5
11	023317	8	NT .500-13UNTG8
12	N/A	2	REFER TO "MOTOR ASSEMBLY"
13	064345	2	CS .312-18X2.000HXG5
14	028274	2	CB .500-13X 1.500 FULL
15	115816	2	GUSSET, INT
16	602256	8	CS .500-13X2.500 SQ G5
17	054502	2	NT .375-16HXG5
18	768515	16	FW 0.281SAE
19	068551	8	NT .250-20 HXZY NL
20	109401	1	SCREEN, OIL COOLER
21	608007	1	OIL COOLER
22	601538	4	FOOT, ELECTRIC FAN
23	056077	8	CS .250-20X1.000HXG5
24	601357	1	FAN, ELECTRIC 8" 12VDC
25	016899	3	NT .375-16 FLKG5
26	043570	2	CLIP - HOSE - SINGLE(FS)
27	045088	1	HOSE CLAMP 1" (FS)
28	000331	2	WIRE TIE, SMALL/SHORT



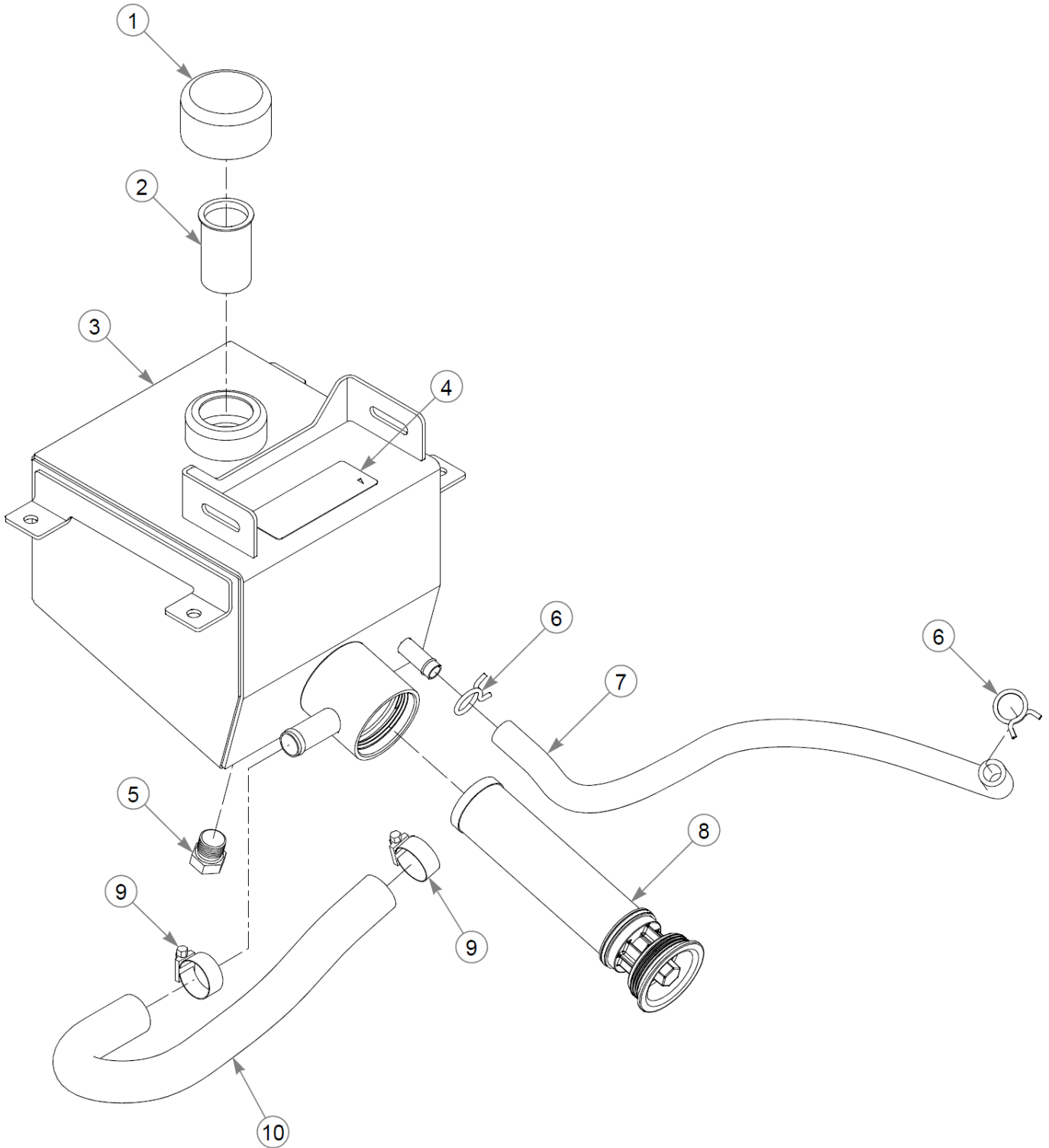
This page intentionally left blank

Pump Assembly Breakdown



Pump Assembly Breakdown

Item	Part No.	Qty	Name
1	603650	1	PUMP, 21CC TANDEM - HH
Not Shown	600934	1	SEAL KIT, HG TANDEM 21
2	781534	4	FTG, STR-8MORB/-8MS
3	603701	1	TUBE, TP-TM RH LOOP
4	603700	1	TUBE, BP-BM RH LOOP
5	603699	1	TUBE, TP-TM, LH LOOP
6	603698	1	TUBE, BP-BM LH LOOP
7	795377	2	CS M8-1.25x25 SH BO ZN
8	795369	2	RETAINER-PUMP ARM - HH
9	109118	2	PUMP ARM, HDZ
10	771337	1	FTG,STR-8MORB/-8MJIC
11	601524	1	FTG, -8MORB/-12 BEAD
12	601001	1	SPRING CLAMP, .75" DIA
13	601520	1	HOSE, CASE DRAIN PUMP
14	796060	1	HOSE,LP PUMP TO PUMP

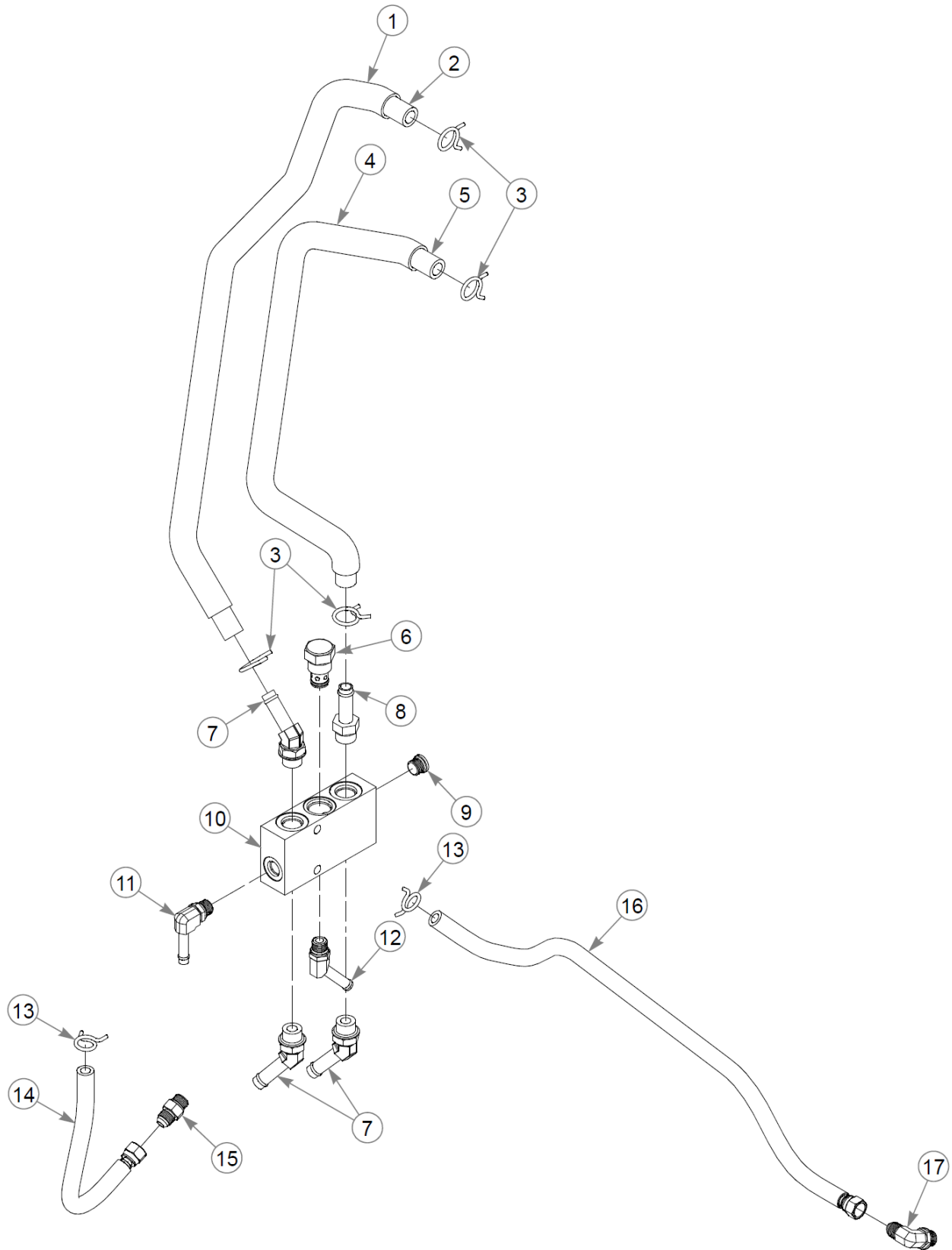


Hydraulic Filter and Reservoir Assembly Breakdown

60" RD Diesel Z Parts Manual - 938191CE - HTHDZR060SHIS773LC

Item	Part No.	Qty	Name
1	032763	1	CAP, BREATHER
2	032771	1	STRAINER
3	549345	1	RESERVOIR W/A HDZ
4	779280	1	DECAL, HOT & HYD OIL
5	781658	1	FTG, -8MORB/HEX PLUG
6	601001	2	SPRING CLAMP, .75" DIA
7	601570	1	HOSE, RETURN MANI BLOCK
8	601413X	1	FILTER ELEMENT
9	700484	2	CLAMP, HOSE (FS)
10	601517	1	HOSE, SUCTION HDZ HYDRO

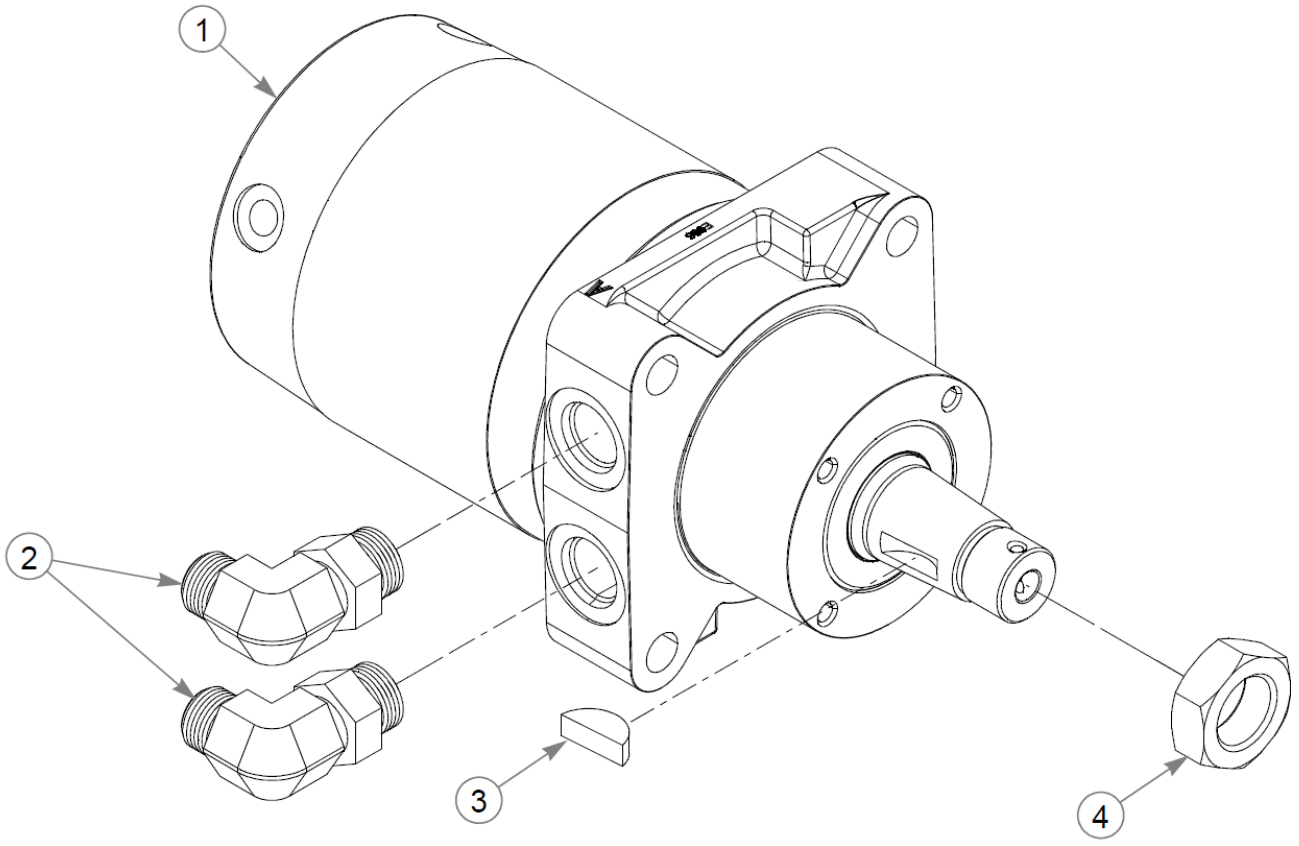
Manifold Assembly Breakdown



Manifold Assembly Breakdown

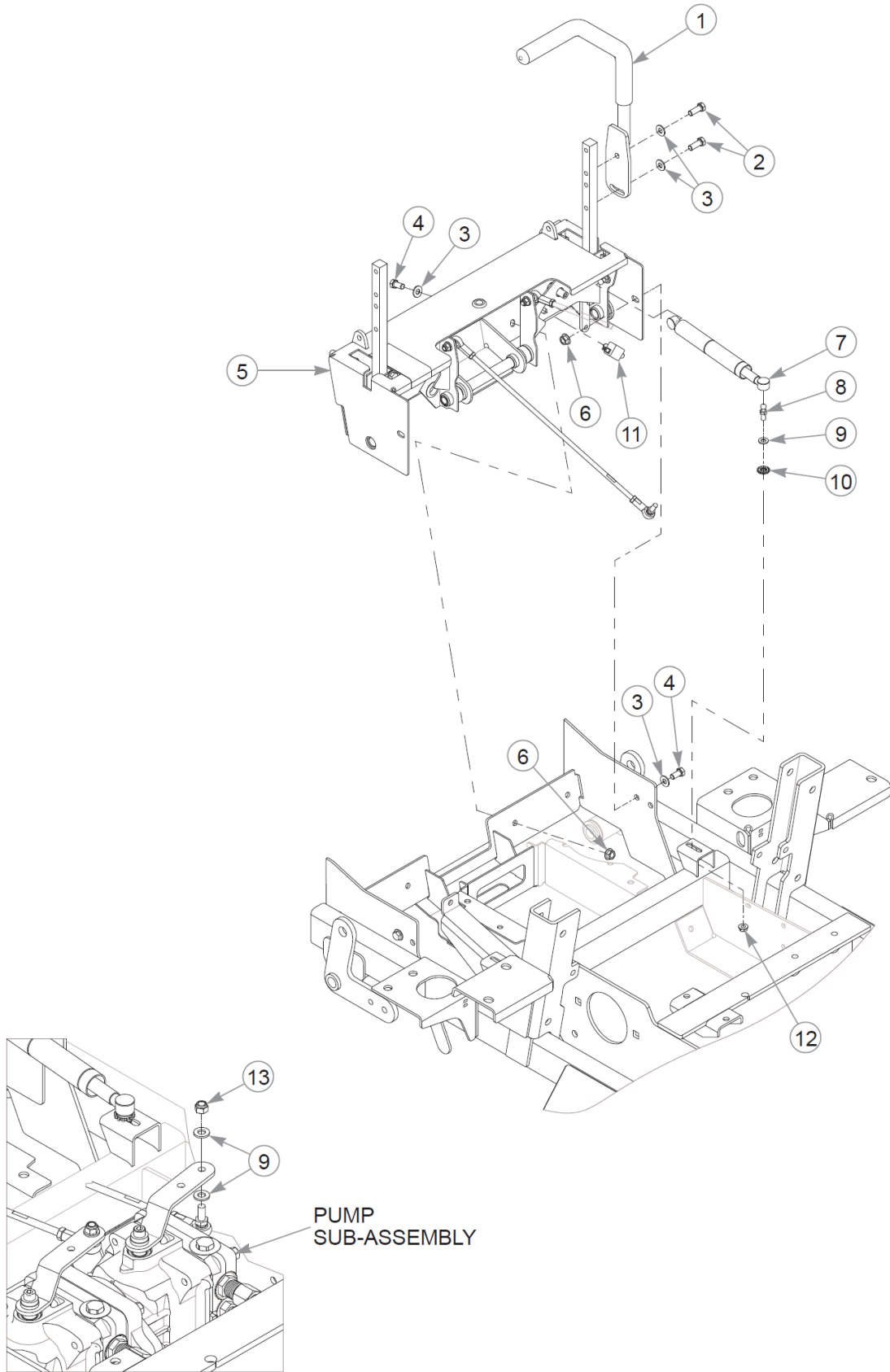
Item	Part No.	Qty	Name
1	601583	1	HOSE GUARD, BLOCK TO
2	601521	1	HOSE, MANIFOLD BLOCK
3	601001	4	SPRING CLAMP, .75" DIA
4	601584	1	HOSE GUARD, COOLER TO
5	601522	1	HOSE, RETURN COOLER
6	601568	1	VALVE, CARTRIDGE CHECK
7	601592	3	FTG, -8MORB/-8BEAD
8	601523	1	FTG, -8MORB/-8BT STR
9	601569	1	FTG, PLUG -8MORB/HEX
10	601476	1	MANIFOLD, CASE DRAIN
11	787465	1	FTG, 90°-6MORB/-6BT
12	784108	1	FTG, 45°-6MORB/-6BT
13	601617	2	SPRING CLAMP, 5/8" DIA.
14	603697	1	HOSE, CASE DRAIN RIGHT
15	779132	1	FTG, -6MORB/-6MJIC STR
16	603722	1	HOSE, CASE DRAIN LEFT
17	795922	1	FTG, 90-6MORB/-6MJI

Wheel Motor Breakdown



Wheel Motor Breakdown

Item	Part No.	Qty	Name
1	603663	1	MOTOR, PARKER TG0335 -HH
Comments for Part Num. 603663			
Wheel Motor includes 065516 ROSS NUT.			
2	781526	2	FTG, 90°-10MORB/-8MORFS
3	064337	1	ROSS WOODRUFF KEY
4	065516	1	ROSS NUT
5	748806	1	ROSS VITON SEAL KIT

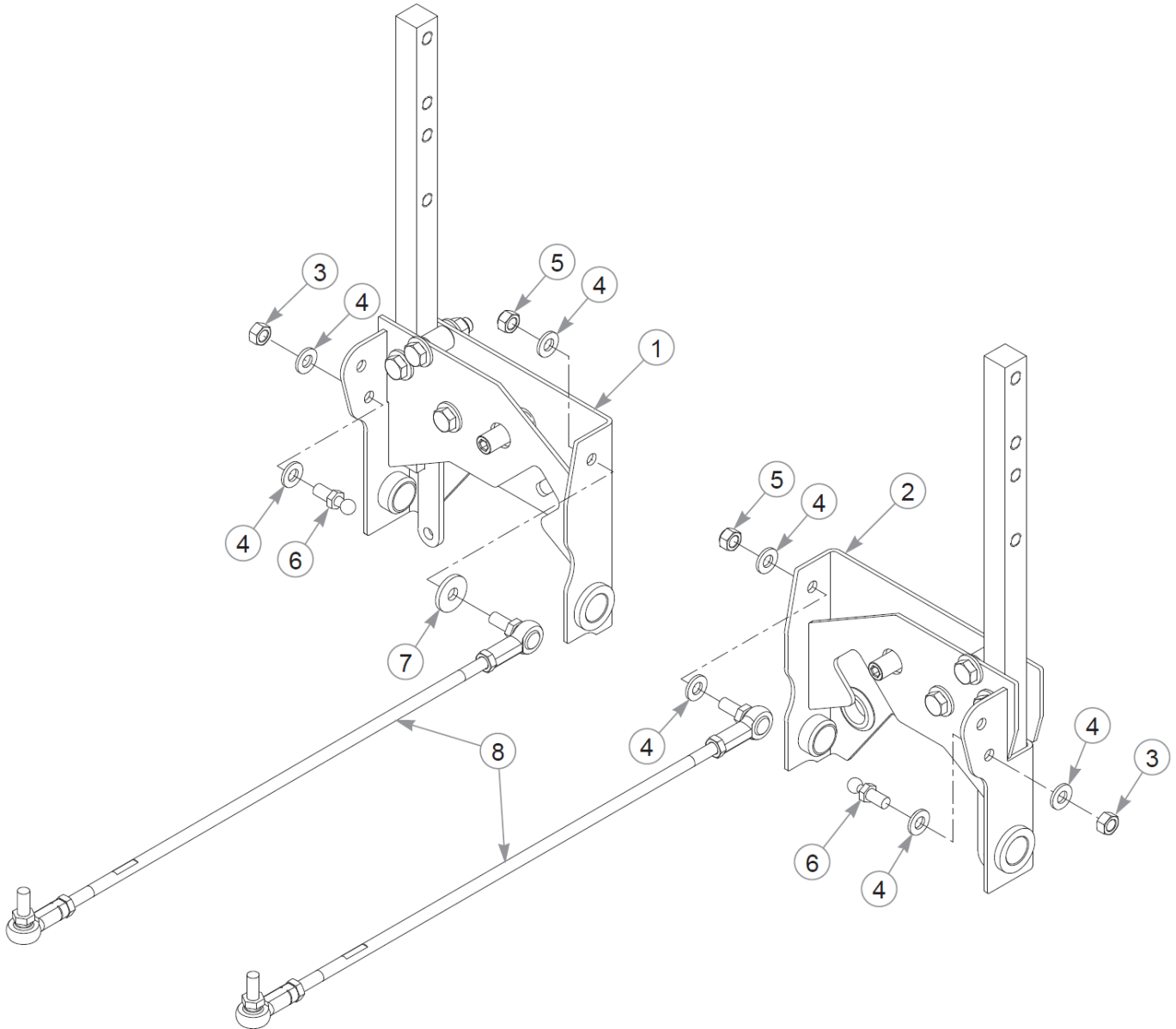


Steering

Item	Part No.	Qty	Name
1	109839	2	HANDLE, Z W/A
Not Shown	781260	2	GRIP, STEERING BAR
2	036244	4	CS .375-16X1.00 HX G5 ZN
3	767954	10	FW 0.379X.82X.06 HD ZN
4	055822	6	CS .375-16X0.75 HX G5 ZN
5	N/A	1	STEERING COVER ASSEMBLY
6	016899	6	NT .375-16 FLKG5
7	795351	2	DAMPER, CENTERING
8	781922	2	BALL STUD
9	768523	6	FW 0.343SAE
10	029876	2	LW .312 INTEXT ZN
11	601087	2	SWITCH, PLUNGER N.O.
12	016832	2	NT .312-18FLKG5
13	023655	2	NT 0.312-24 NL G8

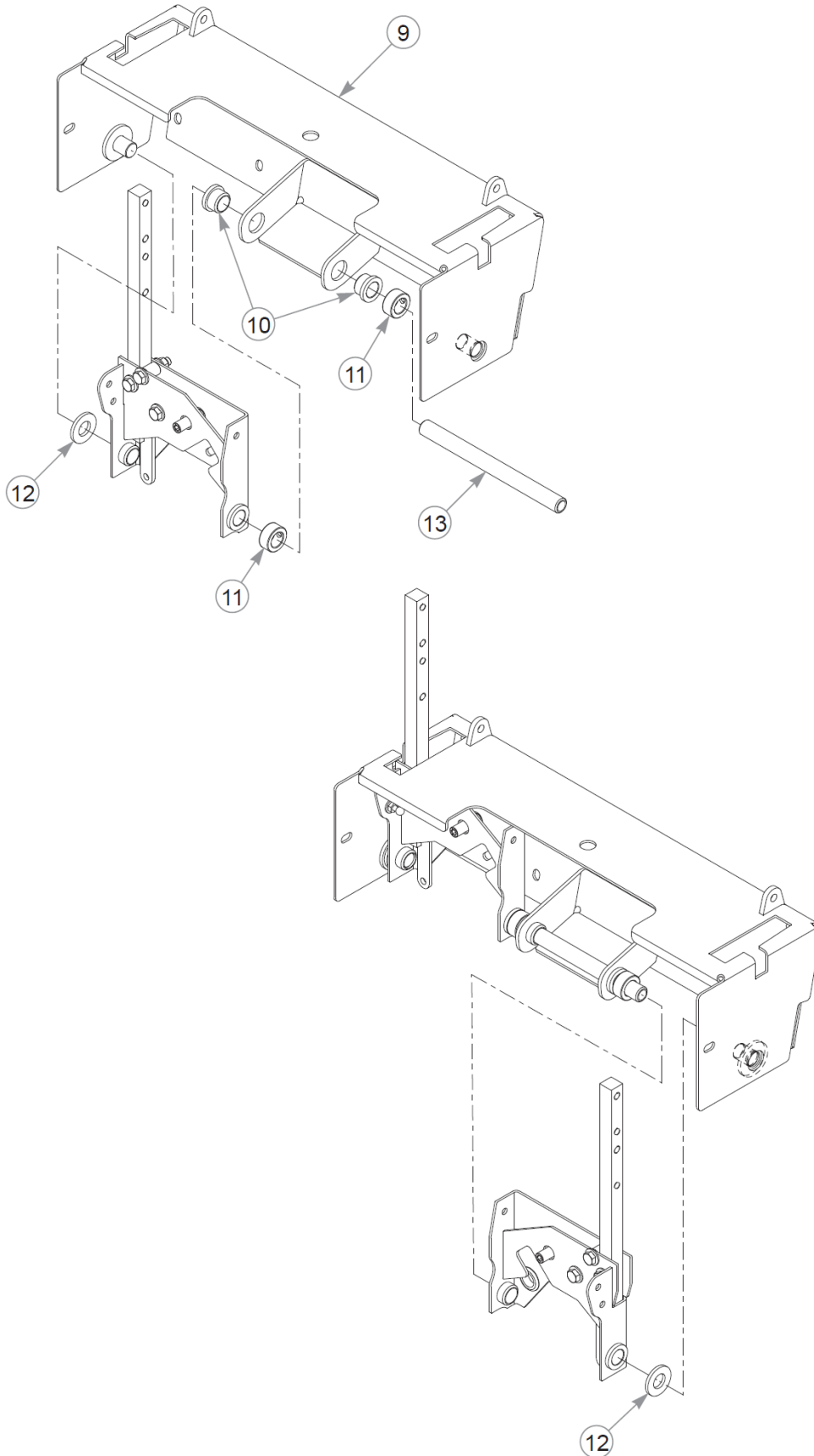
Comments for Page: Steering

1. The steering handle includes the grip.

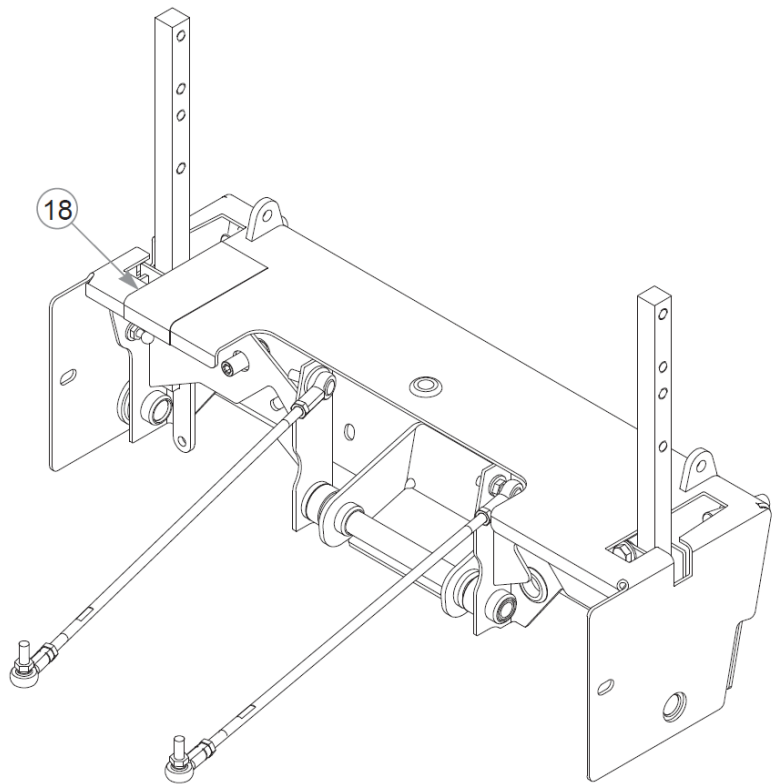
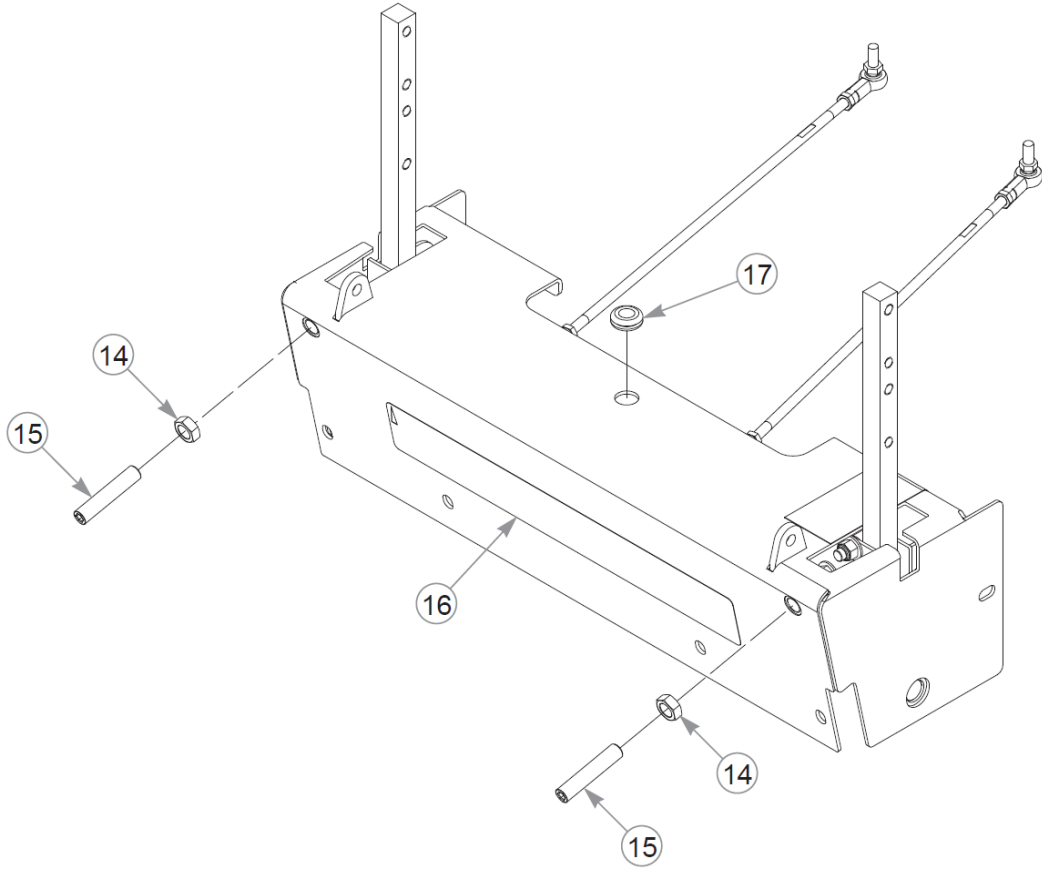


Steering Cover Assembly (Multi-Page)

Item	Part No.	Qty	Name
1	N/A	1	LS STEERING BOX ASSEMBLY
2	N/A	1	RS STEERING BOX ASSEMBLY
3	034272	2	NT .312-18HXG5
4	768523	7	FW 0.343SAE
5	023655	2	NT 0.312-24 NL G8
6	781922	2	BALL STUD
7	712927	1	FW 0.344X1.00X.12 HD ZN
8	781286	2	PUMP ROD ADJUSTER ASSY
9	551135	1	STEERING COVER, SERVICE
10	608000	2	BUSHING
11	784439	2	LOCK COLLAR,0.757 ID(FS)
12	603078	2	FW .750X1.50X.16 ZN
13	108813	1	STEER PIVOT TUBE
14	053199	2	NT .500-13JAMG5
15	603055	2	SS .500-13X 2.50 SH ZN
16	605089	1	DECAL, HDZ
17	080358	1	GM .50X1.00X.75X.12
18	722199	14 cm	POLYURETHANE 2" (FS)



This page intentionally left blank

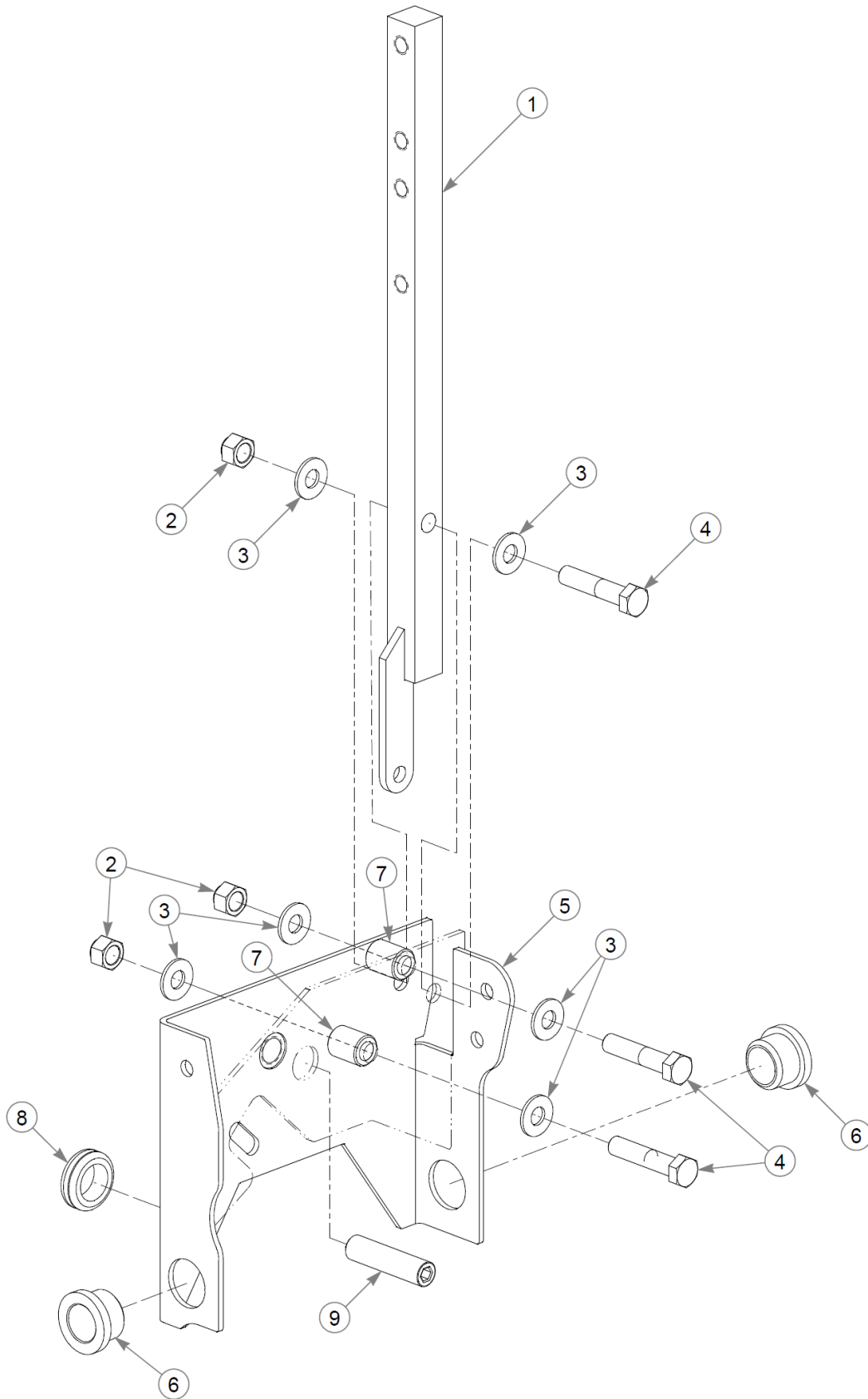


Steering Cover Assembly (Multi-Page)

Comments for Page: Steering Cover Assembly (Multi-Page)

1. The steering cover includes the decal.

RS Steering Box Assembly Breakdown



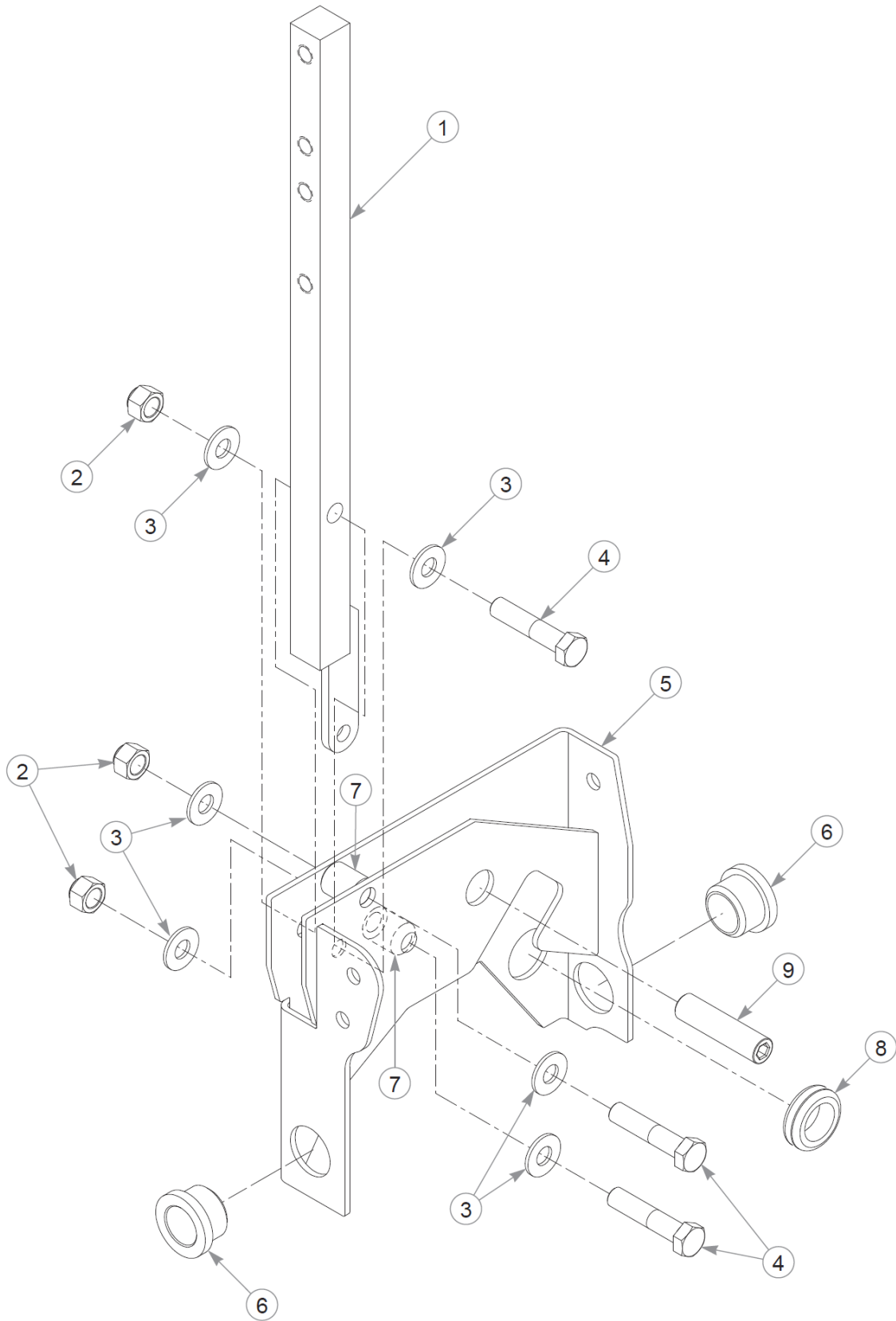
RS Steering Box Assembly Breakdown

Item	Part No.	Qty	Name
1	NSS	1	STEERING ARM W/A
2	086660	3	NT .375-16NLG8
3	767954	6	FW 0.379X.82X.06 HD ZN
4	705178	3	CS .375-16X1.750HXG5
5	112898	1	STEERING BOX W/A, RH
6	608000	2	BUSHING
7	348862	2	STEERLEVER BUSHING (PLA
8	047456	1	GM .750X.188X1.00X.12
9	797738	1	SS .500-13X2.000SH

Comments for Page: RS Steering Box Assembly Breakdown

1. Torque all hardware to 33 ft-lbs \pm 10%.

LS Steering Box Assembly Breakdown

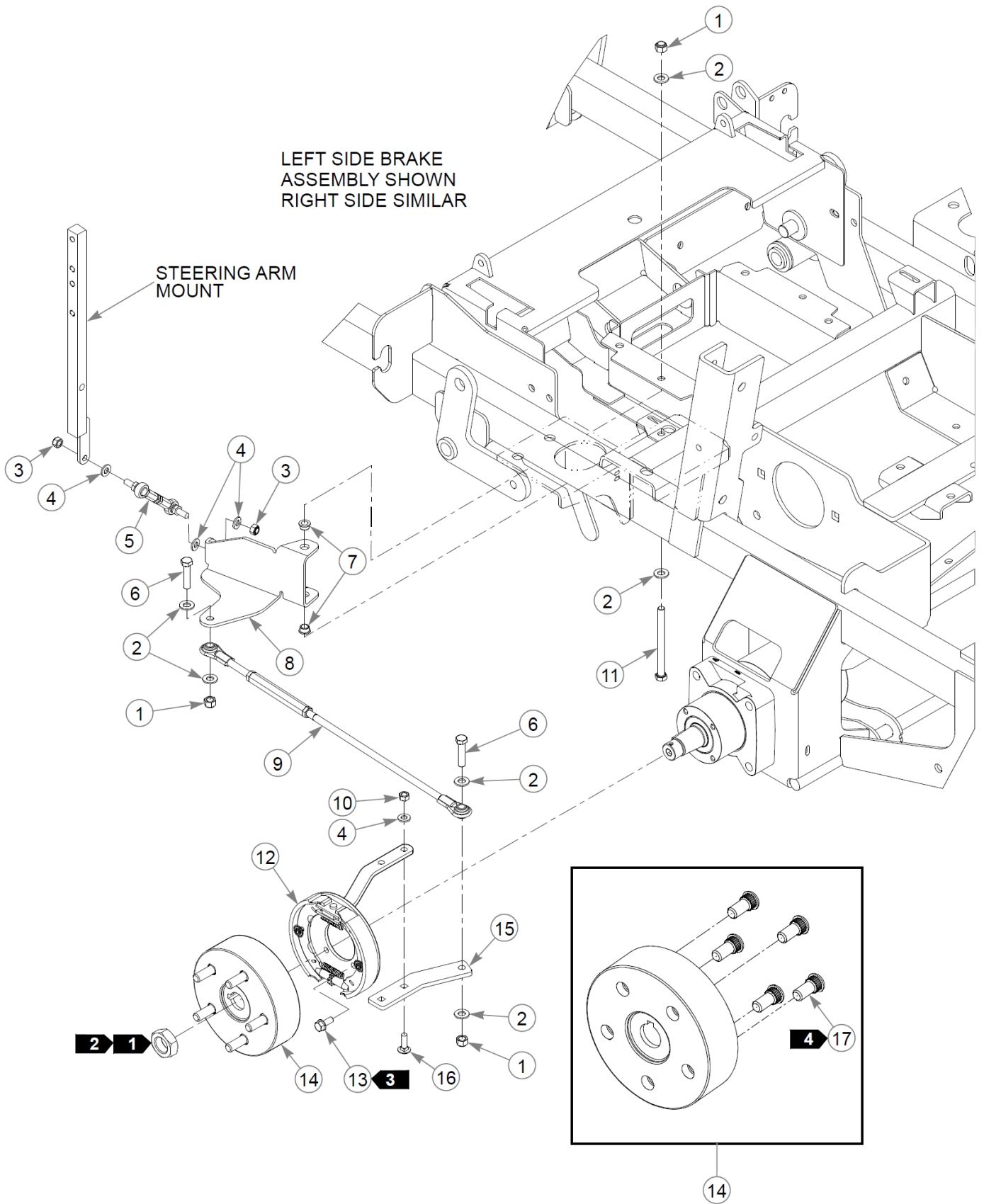


LS Steering Box Assembly Breakdown

Item	Part No.	Qty	Name
1	NSS	1	STEERING ARM W/A
2	086660	3	NT .375-16NLG8
3	767954	6	FW 0.379X.82X.06 HD ZN
4	705178	3	CS .375-16X1.750HXG5
5	112899	1	STEERING BOX W/A LH
6	608000	2	BUSHING
7	348862	2	STEERLEVER BUSHING (PLA
8	047456	1	GM .750X.188X1.00X.12
9	797738	1	SS .500-13X2.000SH

Comments for Page: LS Steering Box Assembly Breakdown

1. Torque all hardware to 33 ft-lbs \pm 10%.

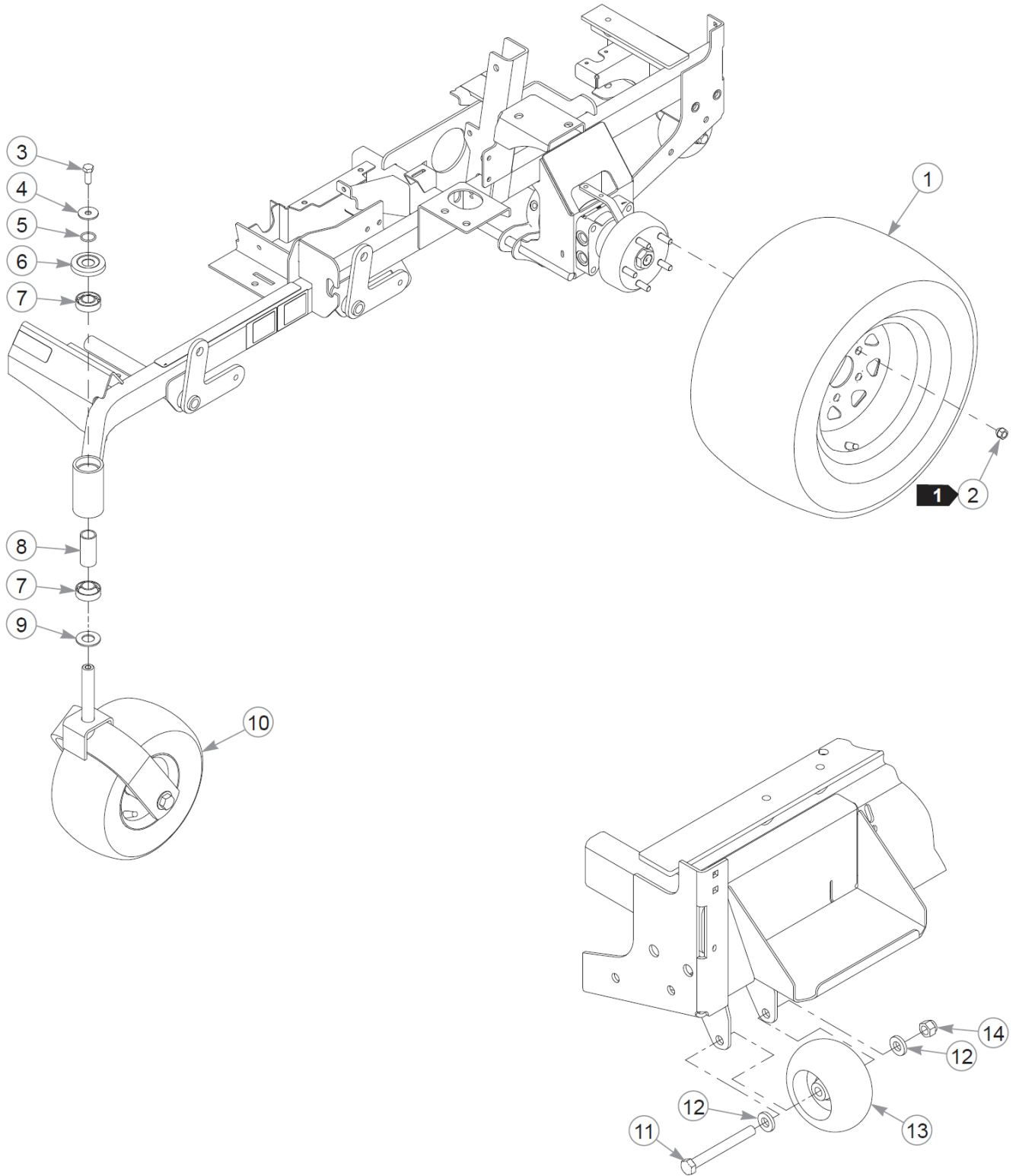


Brake

Item	Part No.	Qty	Name
1	086660	6	NT .375-16NLG8
2	767954	12	FW 0.379X.82X.06 HD ZN
3	023655	4	NT 0.312-24 NL G8
4	768523	10	FW 0.343SAE
5	781583	2	BRAKE ROD ASSEMBLY
6	080655	4	CS .375-16X1.500HXG5
7	765339	4	BUSHING,IGUS#0608 (FS)
8	115123	1	BRAKE BELLCRANK, LS HDZ
Not Shown	115124	1	BRAKE BELLCRANK, RS HDZ
9	603673	2	BRAKE TURNBUCKLE ASSY
10	034272	4	NT .312-18HXG5
11	052514	2	CS .375-16X4.500HXG5
12	602383	2	BRAKE ASSY, PARKER
13	604461	8	CS .312-18X.75HXG8 FL
14	602384	2	HUB ASSY, PARKER
15	111309	2	BRAKE ARM,Z4
16	037887	4	CB .312-18X 1.000 FUL ZN
17	606124	5	STUD 1/2-20 X 1 1/2"

Comments for Page: Brake

1. Included with the wheel motor.
2. Torque to 298–325 N•m.
3. Torque to 37 N•m.
4. The hub assembly includes the studs.

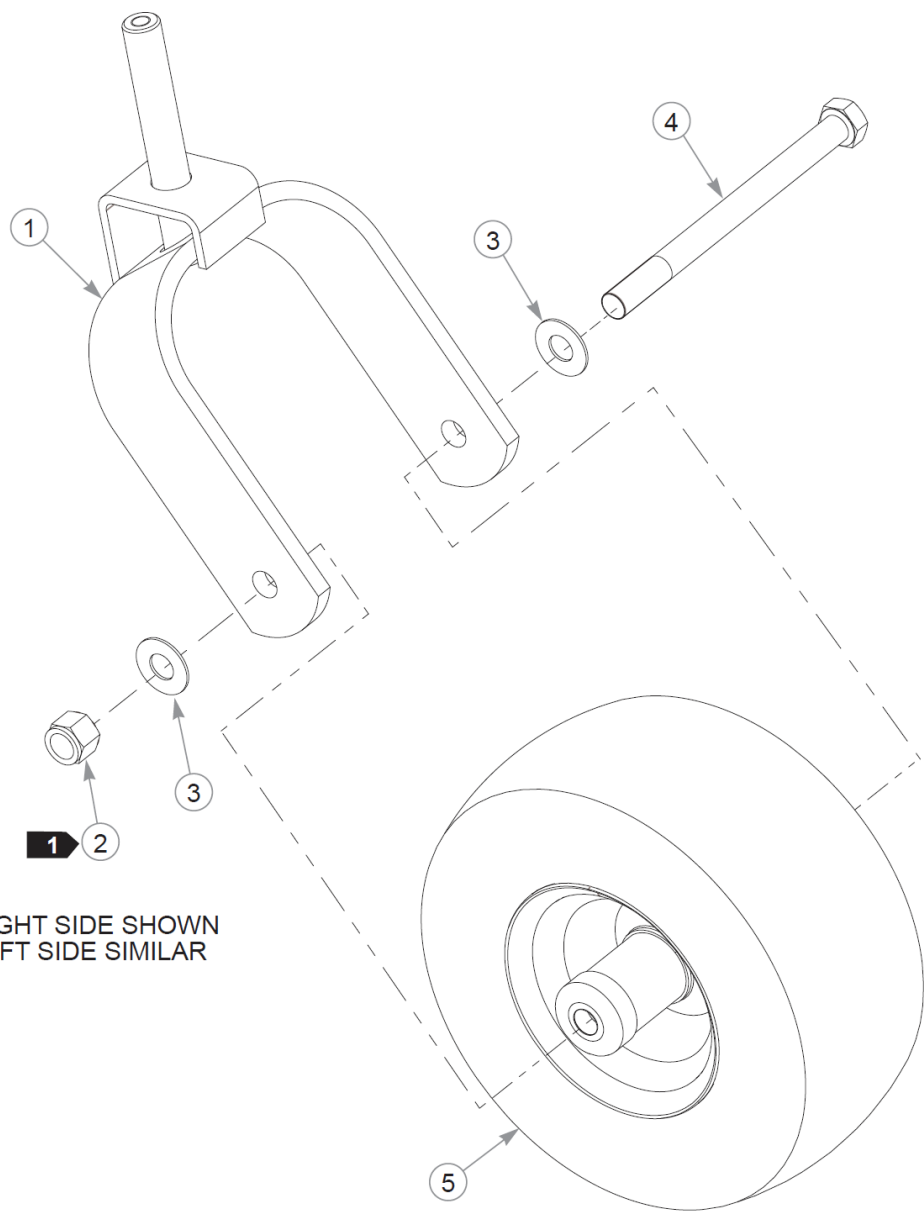
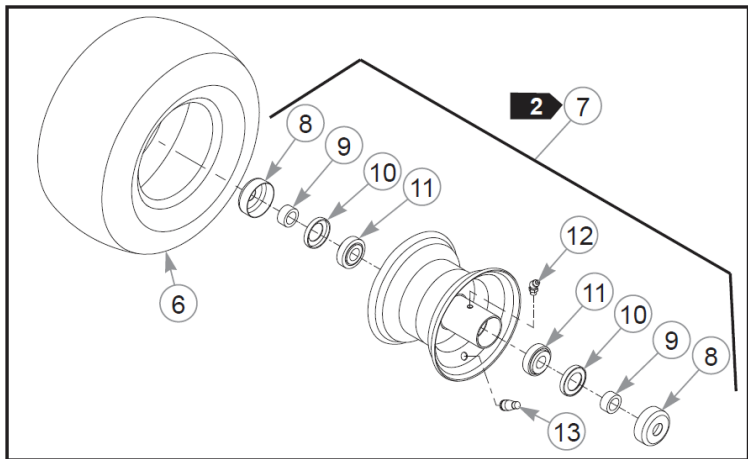


Wheel & Tire

Item	Part No.	Qty	Name
1	606969	2	TIR/WHL 24X12.00-12 SLV
2	061077	10	WHEEL NUT
3	705954	2	CS .500-13X1.25 HX G5 ZN
4	798603	2	FW .515X1.65X.12 HD ZN
5	601375	2	O-RING, SAE-14
6	603153	2	DUST CAP, SZ CASTER
7	784223	4	BEARING
8	387035	2	SPACER, 1.07x1.312x2.79
9	603164	2	BEARING DISC, FORK
10	N/A	2	FRONT WHEEL ASSEMBLY
11	068239	2	CS .500-13X4.500HXG5
12	767962	4	FW .531 x 1.063 x .175
13	031997	2	ANTI-SCALP WHEEL
14	781567	2	NT .500-13NLG5

Comments for Page: Wheel & Tire

1. Torque to 88–102 N•m.



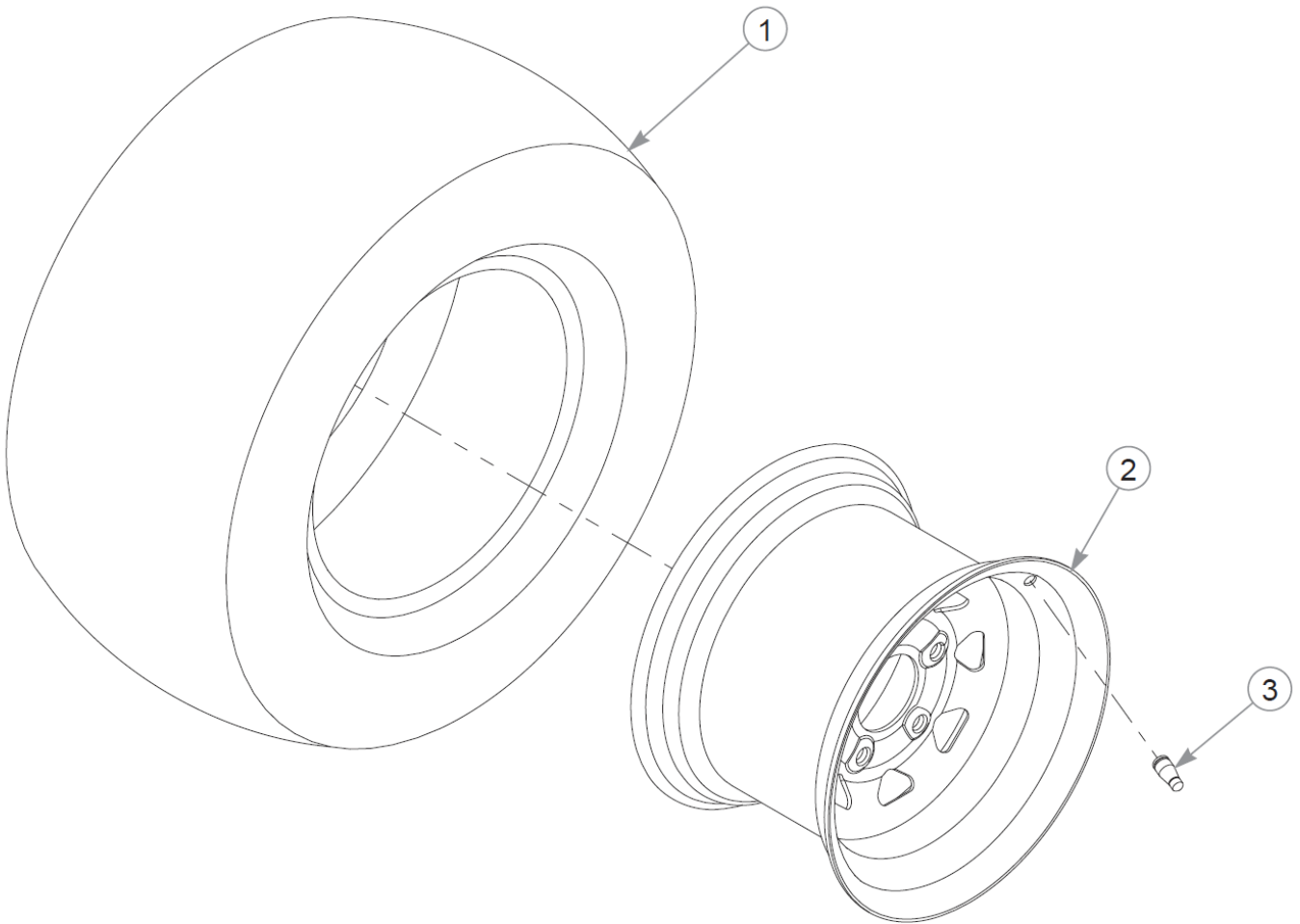
RIGHT SIDE SHOWN
LEFT SIDE SIMILAR

Front Wheel Assembly Breakdown

Item	Part No.	Qty	Name
1	113621	1	FORK W/A, STANDARD
2	061101	1	NT .750-10 HX ZN NL GR B
3	025296	2	FW .760X1.63X0.08 ZN
4	041475	1	CS .750-10X9.50 HX G5 ZN
5	606744	1	TIR/WHL 13X6.50-6 SLV
6	604843	1	TIR 13X6.50-6 B4R SMTH
7	606751	1	WHL 6X4.50 SLV
8	606815	2	DUST CAP, 0.752 ID
9	606778	2	SPACER, 0.531
10	606780	2	SEAL
11	606753	2	BEARING, TAPERED ROLLER
12	606126	1	GREASE FITTING, M8X1.0
13	019521	1	TIRE VALVE TR-412 GOODY

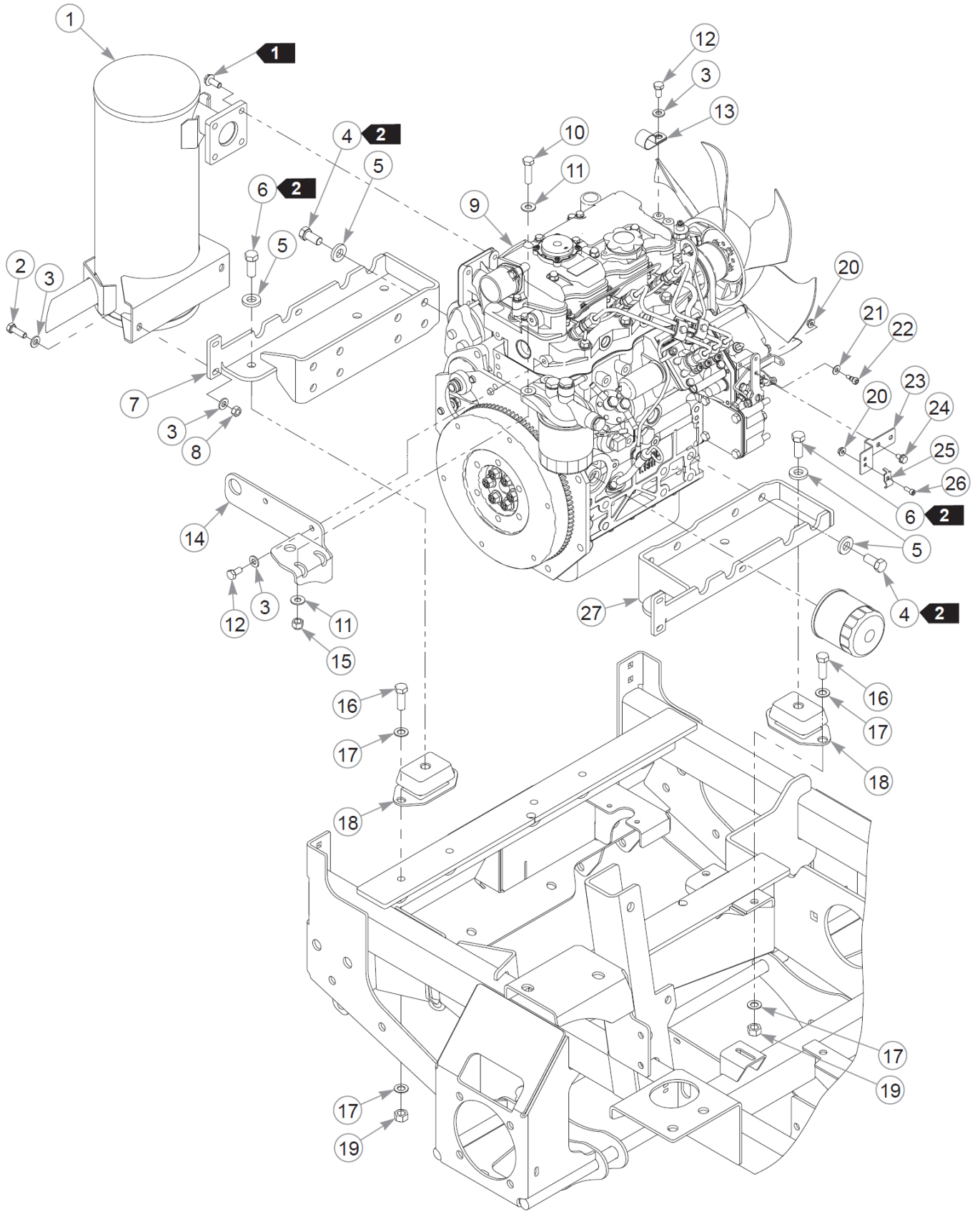
Comments for Page: Front Wheel Assembly Breakdown

1. Tighten, then back off the nut until the wheel spins freely.
2. Refer to the General Service Manual for wheel bearing service procedures.

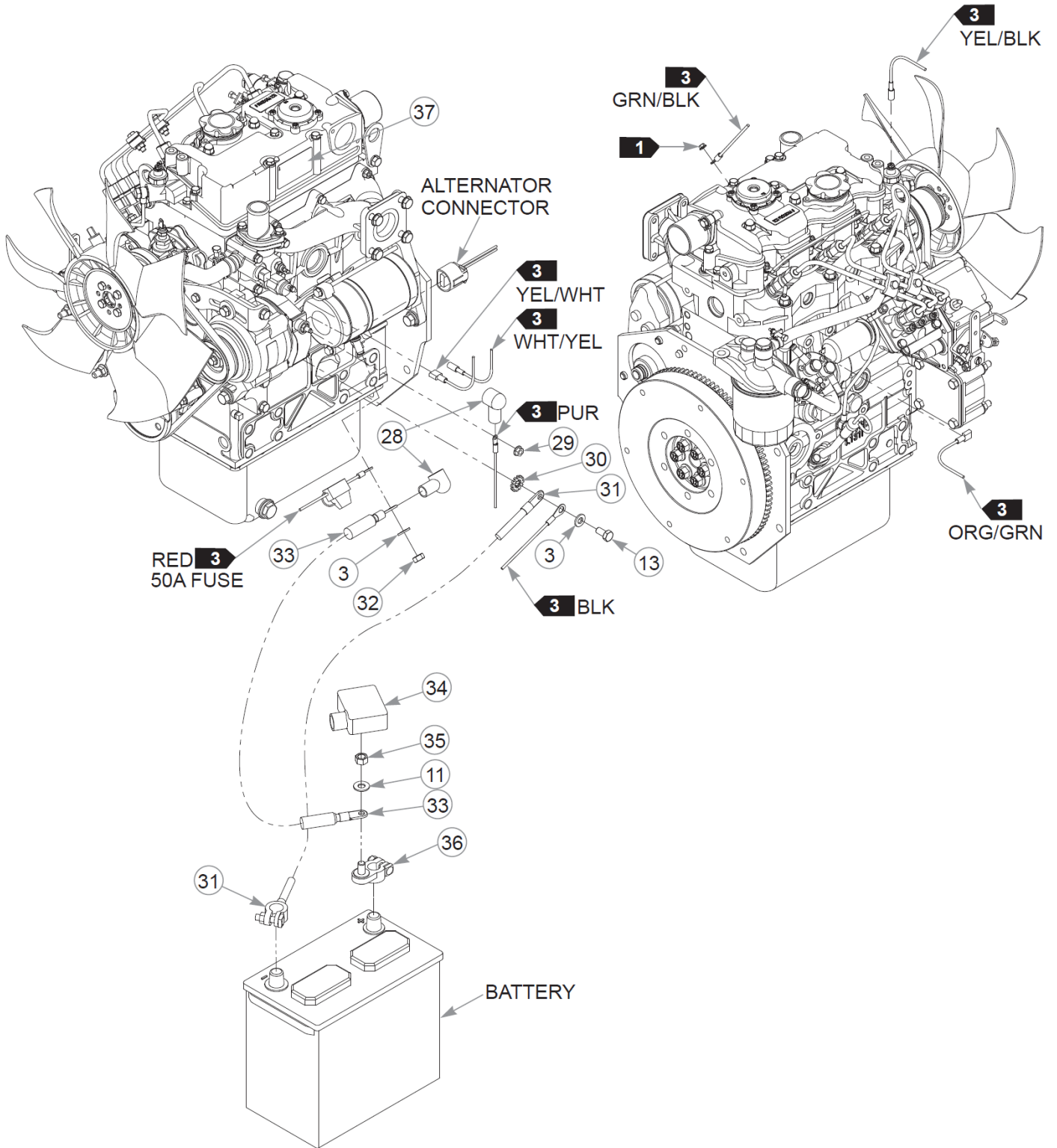


Drive Wheel Breakdown

Item	Part No.	Qty	Name
1	606967	1	TIR 24X12.00-12 B4R GRMR
2	606819	1	WHL 12X8.50 5X4.5 SLV
3	019521	1	TIRE VALVE TR-412 GOODY



Item	Part No.	Qty	Name
1	601361	1	MUFFLER, ISM S773L HDZ
2	036236	2	CS .312-18X1.000HXG5
3	768523	10	FW 0.343SAE
4	601428	16	CS M12-1.25 X 25 ZN
5	767962	20	FW .531 x 1.063 x .175
6	602196	4	CS M12-1.75 x 30 G8.8 ZN
7	111045	1	MOTOR MOUNT W/A, REAR
8	034272	2	NT .312-18HXG5
9	601355	1	ENG, S773L DSL ISM138681
Comments for Part Num. 601355			
For engine parts search S773L and select engine parts manual.			
10	005116	2	CS .375-16X1.38 HX G5 ZN
11	767954	5	FW 0.379X.82X.06 HD ZN
12	053678	5	CS M8-1.25X16HXG8.8
13	043570	1	CLIP - HOSE - SINGLE(FS)
14	109358	1	BRACKET, FUEL FITLER W/A
15	086660	2	NT .375-16NLG8
16	773242	8	CS .437-14X1.250HXG5
17	704742	16	FW 0.453X.81X.06 ZN
18	601958	4	ISO MOUNT, HD STABLE
19	041707	8	NT .437-14HXG5
20	016774	2	NT #10-24 HXFLK ZN
21	017079	1	FW .250SAE
22	601493	1	SB .250Dx.250L 10-24 ZN
23	109419	1	THROTTLE BRKT,ISM ENGINE
24	739144	2	CS M6-1.00X12HXG10.9
25	011841	1	CONDUIT CLIP
26	794495	1	CS 10-24 X .500 SKTHD Z
27	125280-3	1	ENGINE MOUNT, FRONT PNT
28	601319	2	POS. BATTERY CABLE BOOT
29	005231	1	NT M6-1.00FLG
30	029876	1	LW .312 INTEXT ZN
31	601540	1	CABLE, NEG 12" POST/STUD
32	045336	1	NT M8X1.25 HX GR8.8 ZN
33	601539	1	CABLE, POS 9"



Item	Part No.	Qty	Name
34	601381	1	BOOT, POSITIVE BATTERY
35	054502	1	NT .375-16HXG5
36	601380	1	POST, POS BAT MARINE
37	606453	1	DECAL, CAUTION
38	791400	76cm	FUEL LINE, 5/16"
39	601693	4	HOSE CLAMP, 1/4" - 5/8"
40	601378	1	FUEL PRIMER BULB, 5/16"
41	603112	2	CLAMP, 3/16 FUEL
42	603326	33cm	VAPOR LINE, 3/16"
<p>Comments for Part Num. 603326</p> <p>Sold by the foot.</p>			
43	140517020	1	ENGINE OIL FILTER

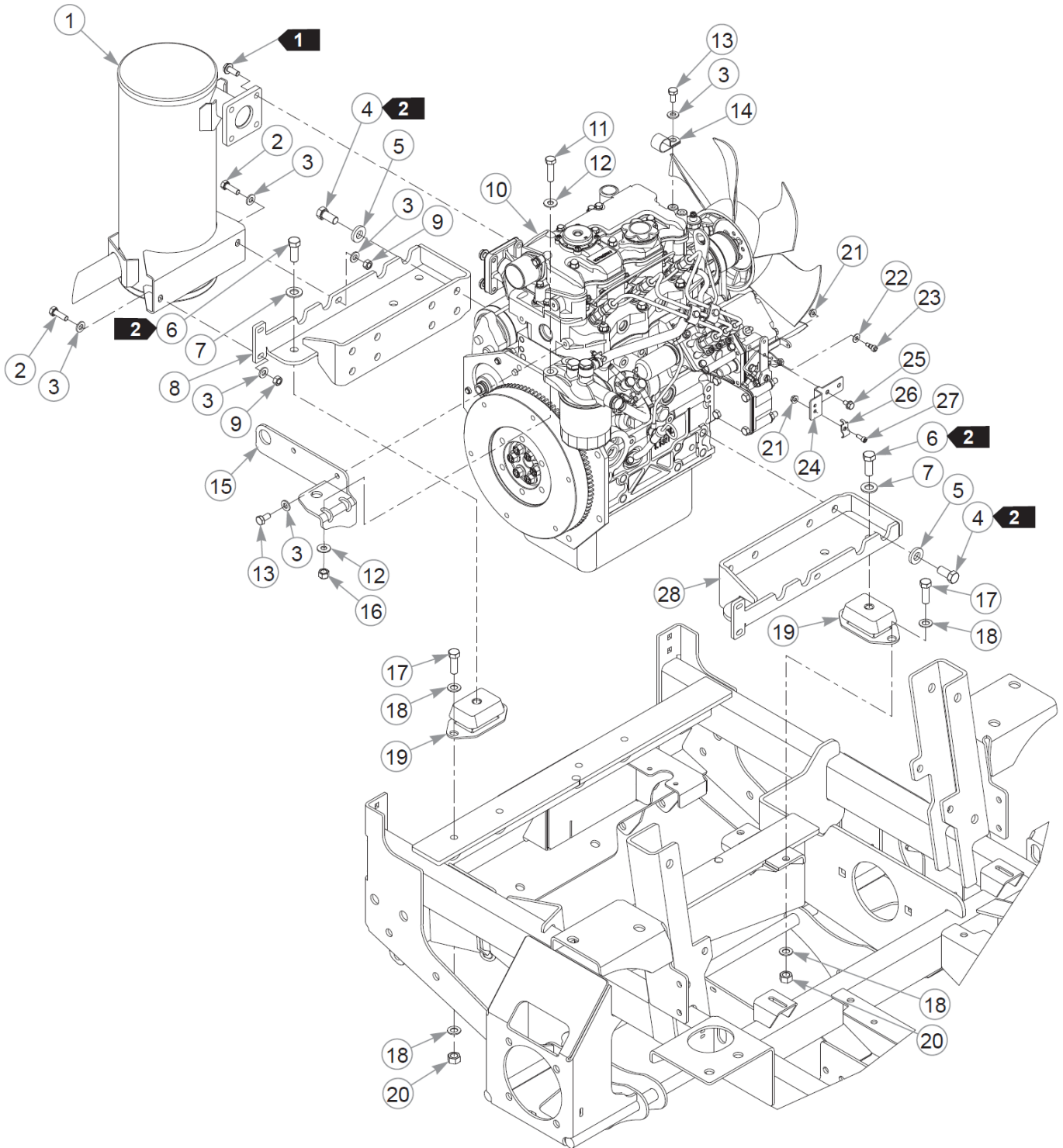
Comments for Page: Engine, Oil Filter, Fuel Filter & Muffler - S/N 19060988 & HIGHER (Multi-Page)

FUEL LINE LENGTHS

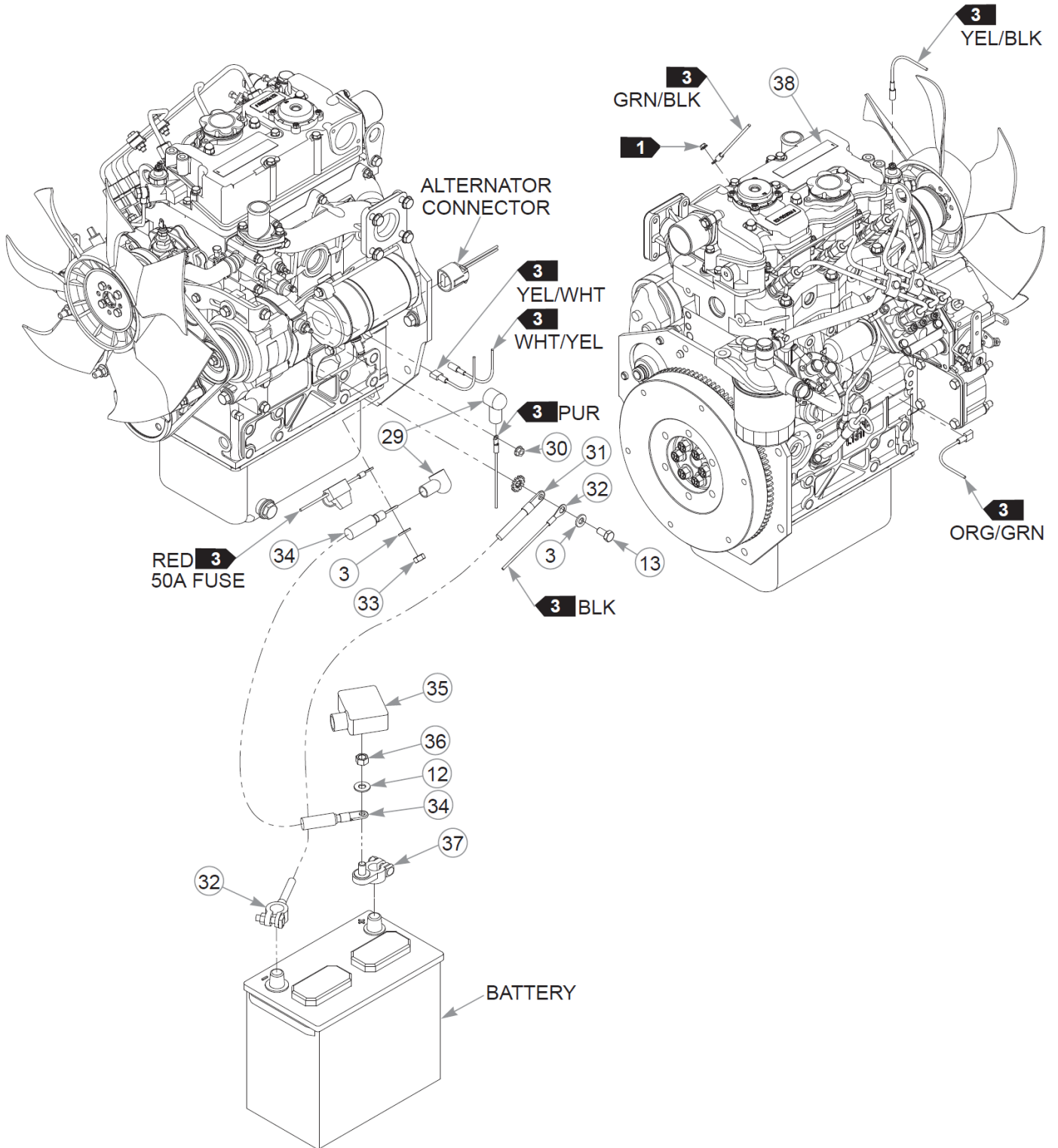
A: 30cm SELECTOR VALVE TO PRIMER BULB

B: 46cm PRIMER BULB TO FUEL PUMP

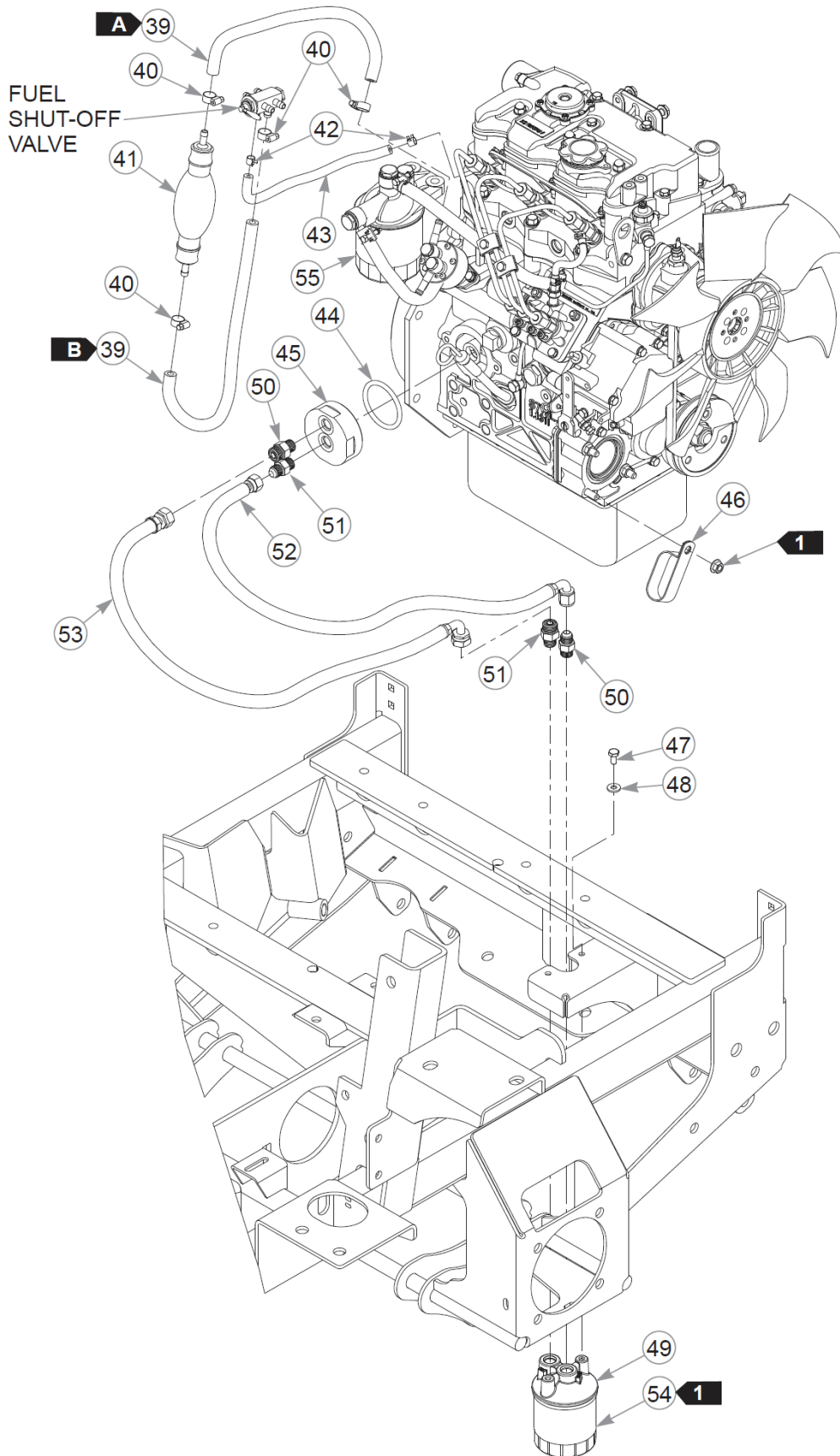
1. Supplied with the engine.
2. Torque to 87 N•m.
3. Part of the wire harness.
4. For additional engine service parts, see 101741 Shibaura S773L engine parts manual.



Item	Part No.	Qty	Name
1	601361	1	MUFFLER, ISM S773L HDZ
2	036236	2	CS .312-18X1.000HXG5
3	768523	9	FW 0.343SAE
4	601428	16	CS M12-1.25 X 25 ZN
5	767962	16	FW .531 x 1.063 x .175
6	602196	4	CS M12-1.75 x 30 G8.8 ZN
7	004168	4	FW .531x1.00x.090 ZN
8	111045	1	MOTOR MOUNT W/A, REAR
9	034272	2	NT .312-18HXG5
10	601355	1	ENG, S773L DSL ISM138681
Comments for Part Num. 601355			
For engine parts search S773L and select engine parts manual.			
11	005116	2	CS .375-16X1.38 HX G5 ZN
12	767954	5	FW 0.379X.82X.06 HD ZN
13	053678	5	CS M8-1.25X16HXG8.8
14	043570	1	CLIP - HOSE - SINGLE(FS)
15	109358	1	BRACKET, FUEL FITLER W/A
16	086660	2	NT .375-16NLG8
17	773242	8	CS .437-14X1.250HXG5
18	704742	16	FW 0.453X.81X.06 ZN
19	601958	4	ISO MOUNT, HD STABLE
20	041707	8	NT .437-14HXG5
21	016774	2	NT #10-24 HXFLK ZN
22	017079	1	FW .250SAE
23	601493	1	SB .250Dx.250L 10-24 ZN
24	109419	1	THROTTLE BRKT,ISM ENGINE
25	739144	2	CS M6-1.00X12HXG10.9
26	011841	1	CONDUIT CLIP
27	794495	1	CS 10-24 X .500 SKTHD Z
28	111046	1	MOTOR MOUNT W/A, FRONT
29	601319	2	POS. BATTERY CABLE BOOT
30	005231	1	NT M6-1.00FLG
31	029876	1	LW .312 INTEXT ZN
32	601540	1	CABLE, NEG 12" POST/STUD
33	045336	1	NT M8X1.25 HX GR8.8 ZN



Item	Part No.	Qty	Name
34	601539	1	CABLE, POS 9"
35	601381	1	BOOT, POSITIVE BATTERY
36	054502	1	NT .375-16HXG5
37	601380	1	POST, POS BAT MARINE
38	606453	1	DECAL, CAUTION
39	791400	76cm	FUEL LINE, 5/16"
40	601693	4	HOSE CLAMP, 1/4" - 5/8"
41	601378	1	FUEL PRIMER BULB, 5/16"
42	603112	2	CLAMP, 3/16 FUEL
Not Shown	041483	2	HOSE CLAMP, 7/16 SPRING
43	603326	33cm	VAPOR LINE, 3/16"
<p>Comments for Part Num. 603326</p> <p>Sold by the foot.</p>			
Not Shown	038398	33cm	FUEL LINE, 3/16"
44	601567	1	O-RING, HDZ REMOTE OIL
45	601526	1	ADAPTER, REMOTE OIL
46	045088	1	HOSE CLAMP 1" (FS)
47	055947	2	CS .250-20X0.50 HX G5 ZN
48	768515	2	FW 0.281SAE
49	601487	1	FILTER HEAD, HDZ
50	792150	2	FTG, STR-6MORB/-6MS
51	779132	2	FTG, -6MORB/-6MJIC STR
52	601546	1	HOSE, OIL FILTER RELOC
53	601547	1	HOSE, OIL FILTER RELOC
54	140517020	1	ENGINE OIL FILTER
55	130366120	1	FILTER, FUEL SPIN ON



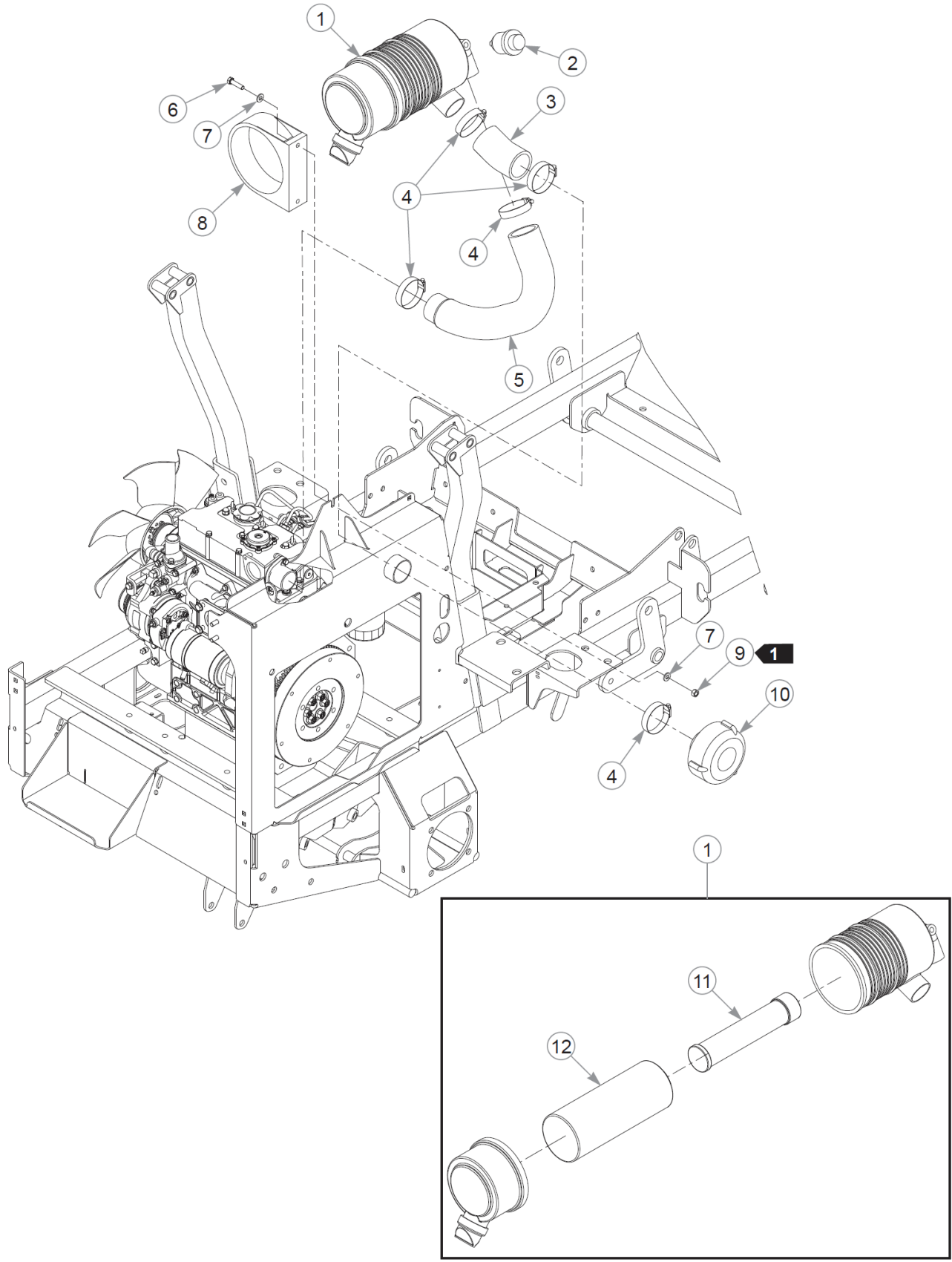
Comments for Page: Engine, Oil Filter, Fuel Filter & Muffler - S/N Prior to 19060988 (Multi-Page)

FUEL LINE LENGTHS

A: 30cm SELECTOR VALVE TO PRIMER BULB

B: 46cm PRIMER BULB TO FUEL PUMP

1. Supplied with the engine.
2. Torque to 87 N•m.
3. Part of the wire harness.
4. For additional engine service parts, see 101741 Shibaura S773L engine parts manual.
5. 603112 & 603326 are used on mowers S/N 13101779 & higher.
6. 041483 & 038398 are used on mowers S/N prior to 13101779.

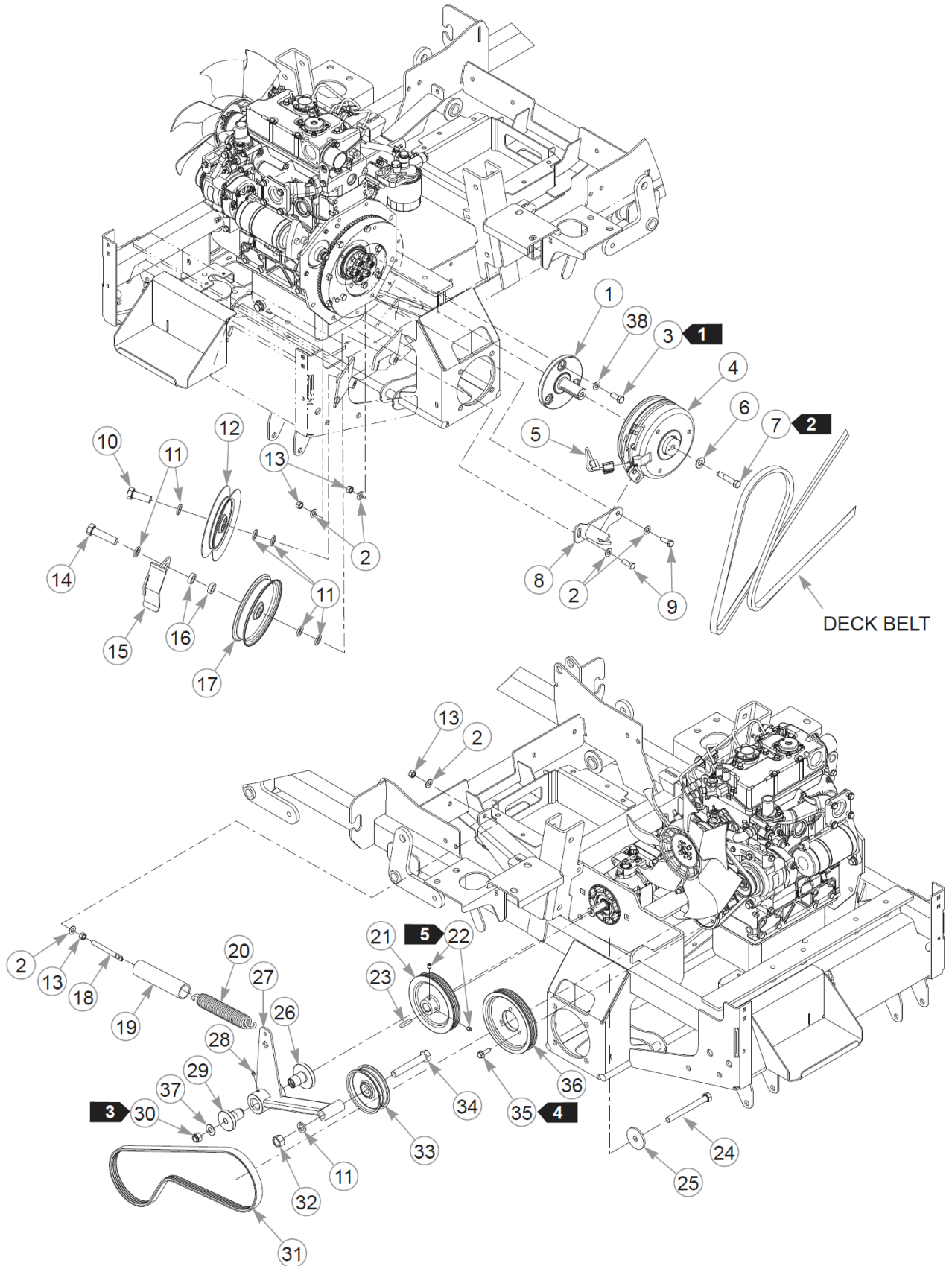


Air Cleaner

Item	Part No.	Qty	Name
1	782763	1	AIR CLEANER, DONALDSON
Not Shown	600910	1	COVER END, W/ LATCHES
2	795138	1	AIR FILTER INDICATOR,25
3	601359	1	HOSE, FRESH AIR INTK HDZ
4	057661	5	HOSE CLAMP (FS)
5	601360	1	HOSE, INTAKE HDZ
6	079186	2	CS .312-18X1.250HXG5
7	768523	4	FW 0.343SAE
8	785741	1	BAND, AIR CLEANER MOUNT
9	034272	2	NT .312-18HXG5
10	775353	1	ENGINE CENTRIFICAL PREC
11	785279	1	AIR FILTER - SAFETY
12	785261	1	AIR FILTER - MAIN

Comments for Page: Air Cleaner

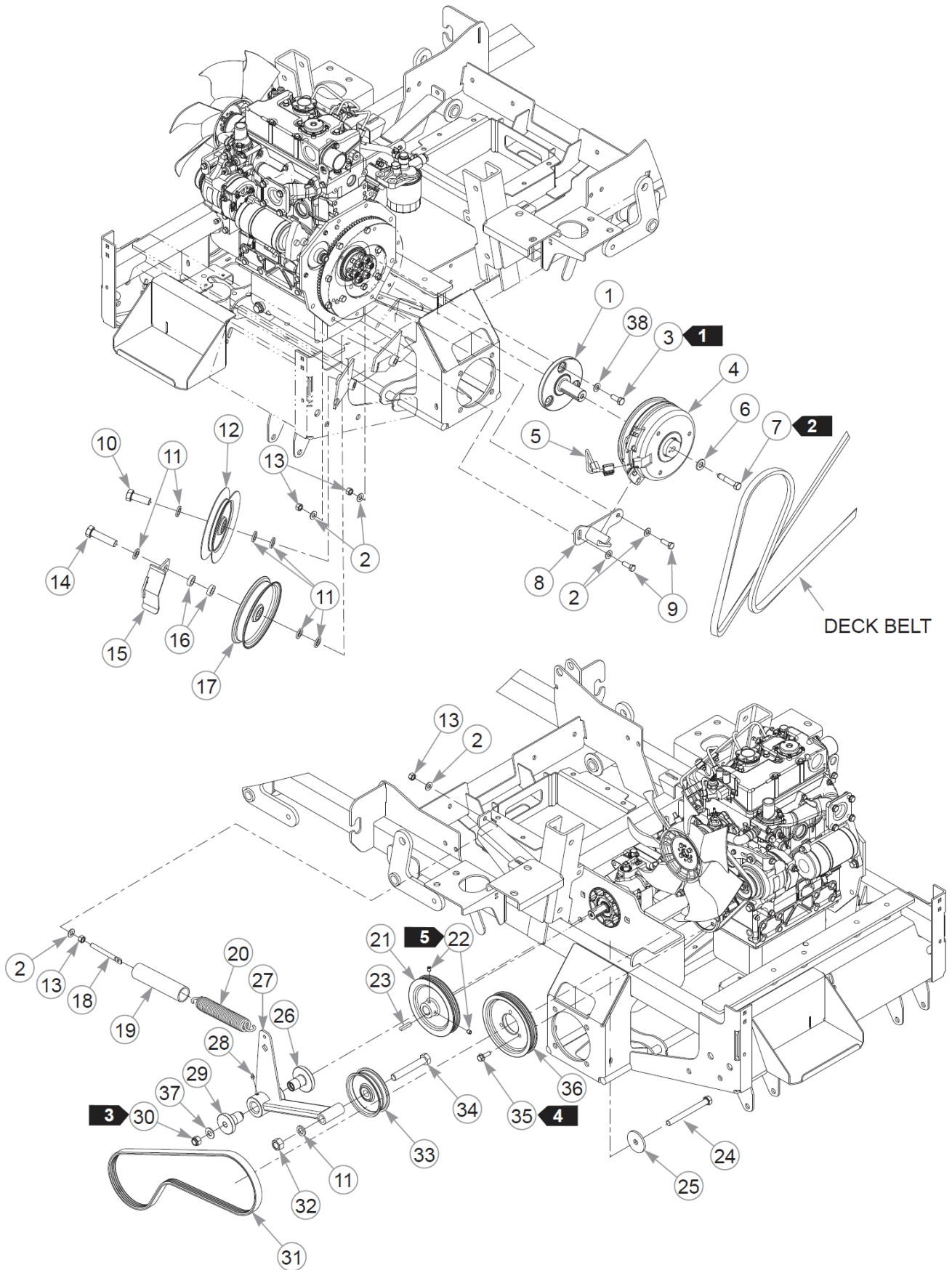
1. Torque to 16 N•m.



Clutch & Drive Belt

Item	Part No.	Qty	Name
1	601279	1	STUB SHAFT, ISM 773
2	767954	6	FW 0.379X.82X.06 HD ZN
3	038836	3	CS M10-1.50X25 HX ZN
4	601278K	1	CLUTCH KIT
5	791251	1	HARNESS, CLUTCH PIGTAIL
<p>Comments for Part Num. 791251</p> <p>Pigtail was updated with epoxy to hold the wires steady. The wire sheath was also updated to a more flexible material.</p>			
6	602680	1	FW .453X1.12X.12 HRD ZN
7	778217	1	CS .437-20X2.250 HXG5P85
8	109725	1	CLUTCH ANCHOR W/A
9	036244	2	CS .375-16X1.00 HX G5 ZN
10	025007	1	CS .62511X1.750HXG5
11	028118	7	FW 0.625X1.00X.13 ZN
12	796714	1	PULLEY, 6" HB IDLER RD
13	054502	4	NT .375-16HXG5
14	025015	1	CS .625-11X2.500HXG5
15	113088	1	BELT GUIDE, W/A
16	600296	2	SPACER, DECK IDLER
17	781385	1	PULLEY, IDLER NHI 6.00"
18	601486	1	EB, .375-16X3.00 FULTHD
19	601722	1	TUBE, 1.500 X .12W CLR
20	601016	1	IDLER SPRING
21	601422	1	PULLEY, 5.625" MICRO V
22	600122	2	SS .312-18 X .312 SH BO
23	601713	1	KEY, 1/4 X 1.375 LONG
24	051151	1	CS .500-13X5.000HXG5
25	344267	1	FW .510X2.15X.19 ZN
26	602880	1	BUSHING, IDLER PIVOT
27	115117	1	IDLER ARM, W/A
28	015495	1	GREASE FITTING STRAIGHT
29	602879	1	BUSHING, IDLER PIVOT
30	781567	1	NT .500-13NLG5
31	601424	1	BELT, 4 RIB "PVL"
32	016972	1	NT .625-11 HX G5 ZN
33	601488	1	PULLEY, 4" FLAT IDLER

Clutch & Drive Belt



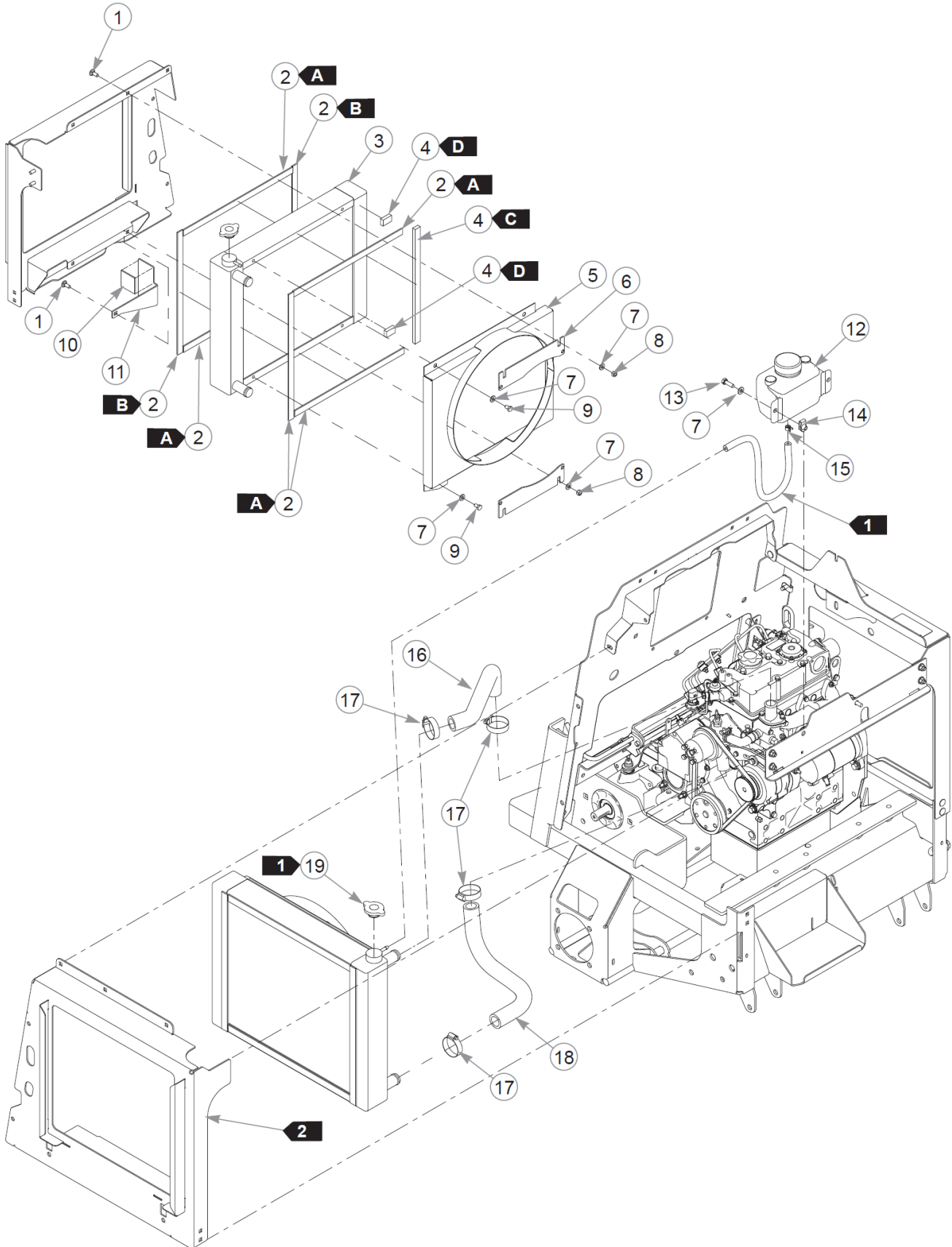
Clutch & Drive Belt

Item	Part No.	Qty	Name
34	047712	1	CS .625-11X4.000HXG5
35	720177	3	CS M8-1.25X20FLG10.9
36	601423	1	PULLEY, 6.0" MICRO V
37	767962	1	FW .531 x 1.063 x .175
38	712919	3	FW 0.406X1.00X.12 HD ZN

Comments for Page: Clutch & Drive Belt

1. Torque to 55 N•m.
2. Torque the bolt to 61–65 N•m. Replace (do not reuse) the cap screw if it's removed or loosened. Use only hand tools to install this fastener.
3. Torque the nut to 96–102 N•m. The tensioner should pivot freely.
4. Torque to 28 N•m.
5. Torque to 16–20 N•m.

Cooling System



Cooling System

Item	Part No.	Qty	Name
1	016253	4	CB .312-18X .750 FUL ZN
2	033035	282 cm	WEATHERSTRIP .12X.75
3	601295	1	RADIATOR, HDZ ISM 773
4	713198	43.2 cm	SEAL 3/8x3/4 SOLD BY FT
5	109144	1	SHROUD W/A, HDZ 773
6	108977	2	PLATE, RAD MNT TOP HDZ
7	768523	10	FW 0.343SAE
8	034272	4	NT .312-18HXG5
9	068346	4	CS .312-18X0.500HXG5
10	606946	1	RADIATOR SUPPORT PAD
11	124556-3	1	RADIATOR BRACKET
12	601358	1	BOTTLE, OVERFLOW RAD
Not Shown	763367	1	CAP, RECOVERY TANK (VEN
13	036236	2	CS .312-18X1.000HXG5
14	601069	2	CN .312-18x.200 MAX THK
15	041483	1	HOSE CLAMP, 7/16 SPRING
16	601353	1	HOSE, UPPER RADIATOR HDZ
17	713040	4	HOSE CLAMP
18	601354	1	HOSE, LOWER RADIATOR HDZ
19	600320	1	CAP, RADIATOR YDZ TO FIT

Comments for Page: Cooling System

WEATHER STRIP & SEAL LENGTHS

A: 40.6 cm

B: 39.4 cm

C: 36.8 cm

D: 3.2 cm

1. Included with the radiator.
2. Part of the Radiator A/C Support.
3. Use Radiator Mount Kit 124819 on mowers built prior to S/N 18020001.
4. The overflow bottle includes the cap.

Fuel System

Item	Part No.	Qty	Name
1	603778	1	FUEL TANK, FENDER, RH
2	603779	1	FUEL TANK, FENDER, LH
3	798470	2	CAP, 3 1/2" YELLOW FUEL
4	000323	8	CLIP, HOSE CLAMP
5	795542	1	FUEL VALVE SDZ
6	015818	180cm	FUEL LINE, 1/4"
Comments for Part Num. 015818			
Sold by the foot.			
7	603780K	2	SVC KIT, FUEL GAUGE
8	602069	2	O-RING, VITON -225 SIZE
9	603835	2	SEAL WASHER
10	767954	8	FW 0.379X.82X.06 HD ZN
11	055822	8	CS .375-16X0.75 HX G5 ZN

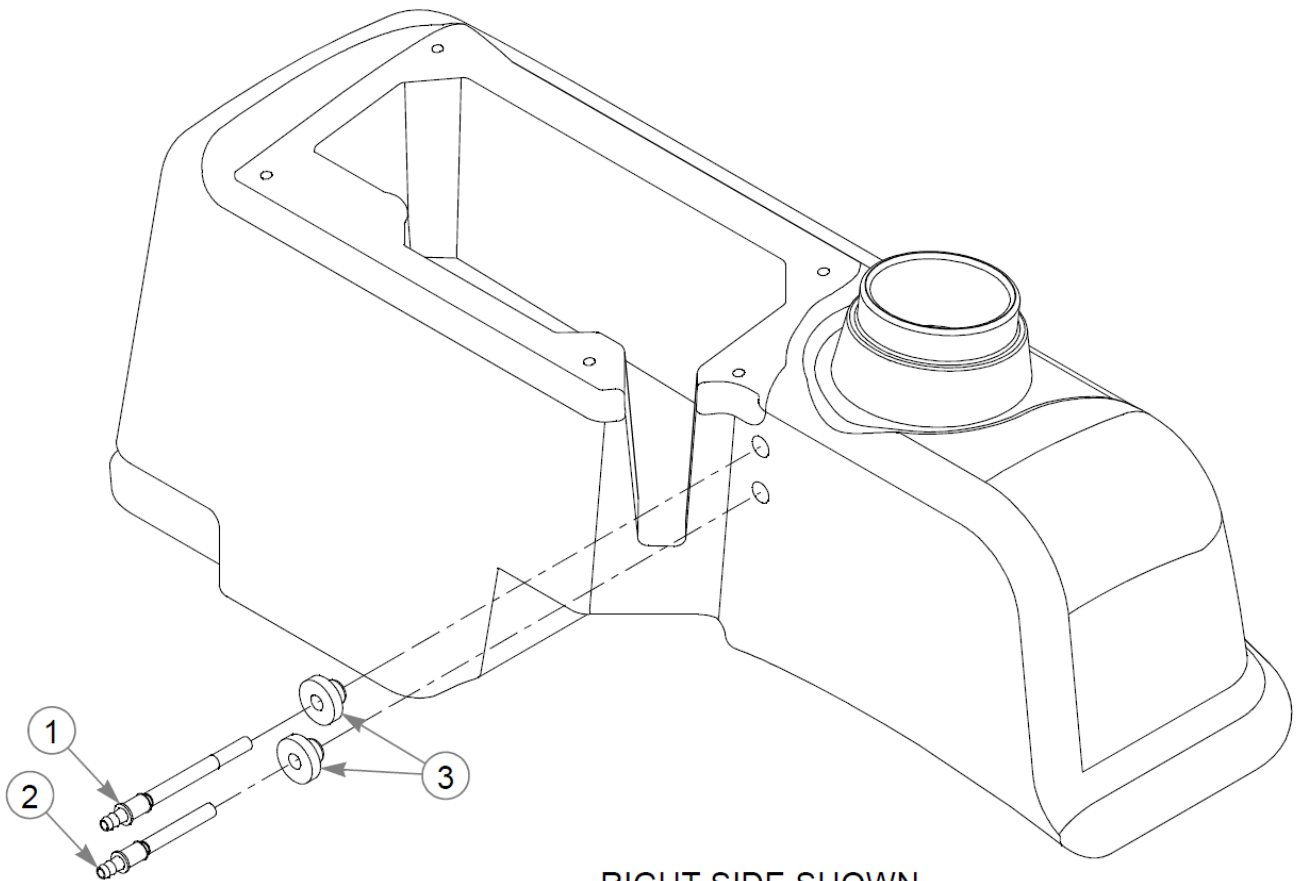
Comments for Page: Fuel System

VAPOR LINE LENGTHS

A: 25cm RIGHT TANK TO FUEL VALVE

B: 65cm LEFT TANK TO FUEL VALVE

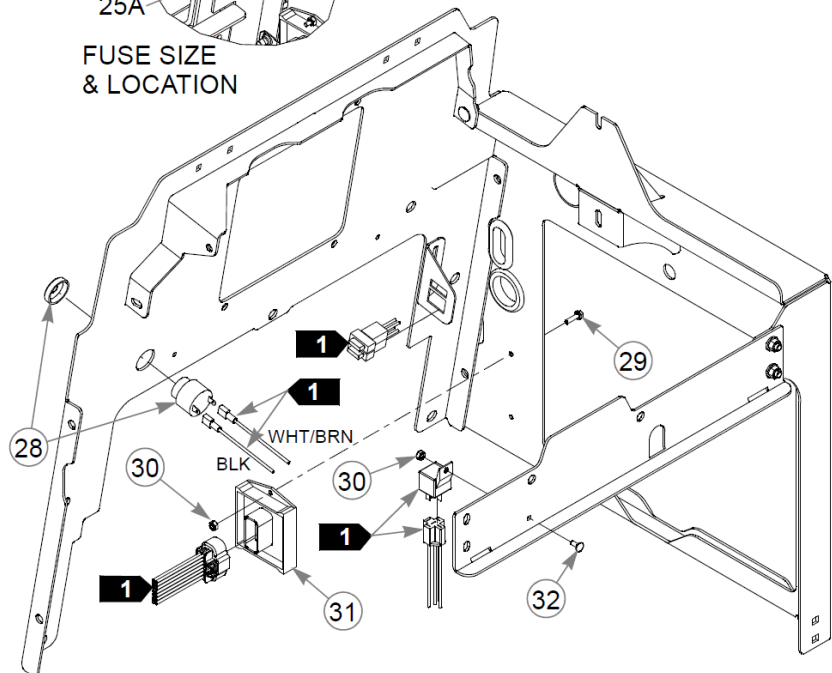
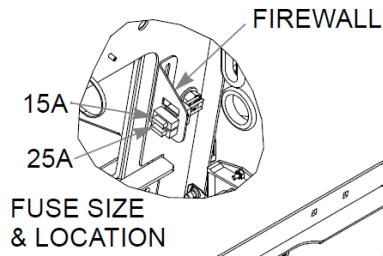
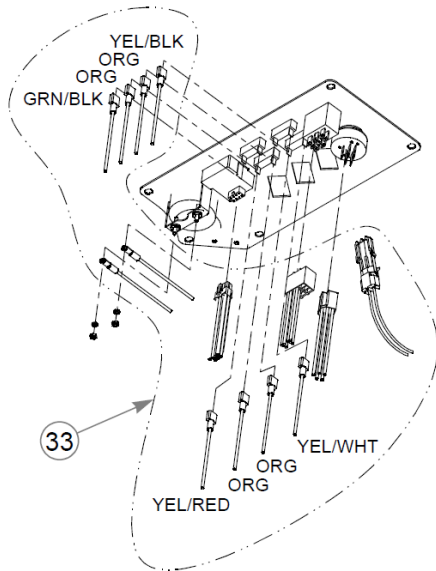
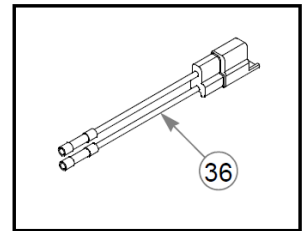
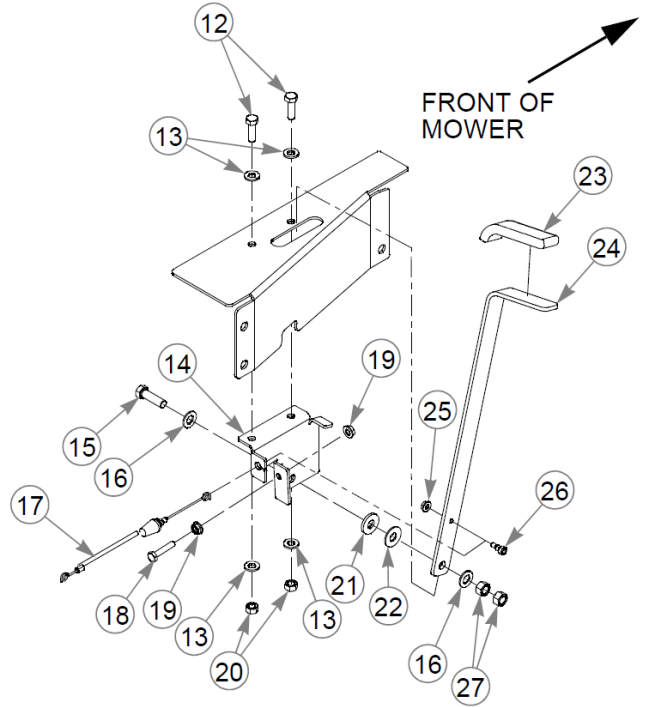
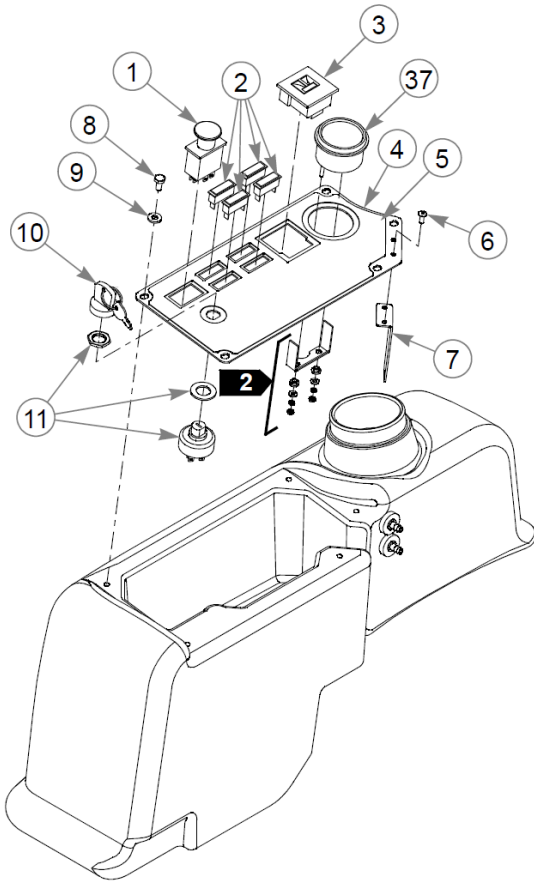
1. Torque to 27 N•m.
2. Torque to 8 N•m.



RIGHT SIDE SHOWN
LEFT SIDE SIMILAR

Fuel Tank Service Parts

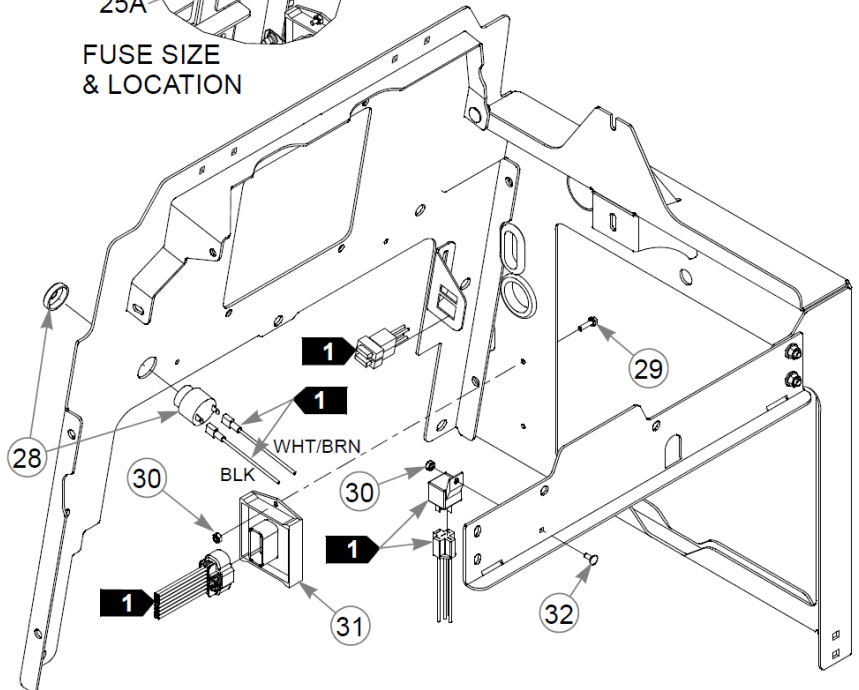
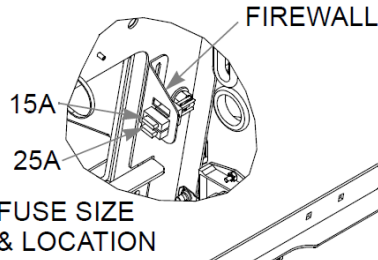
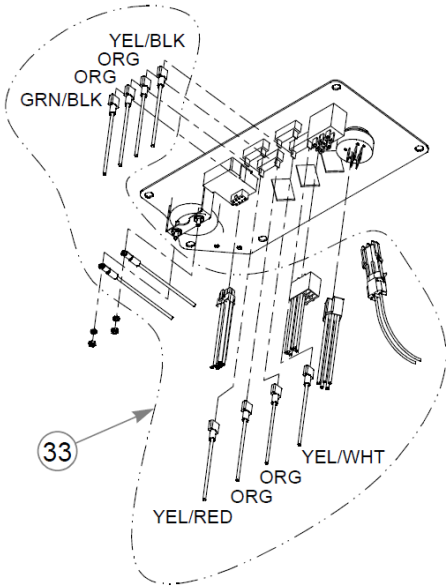
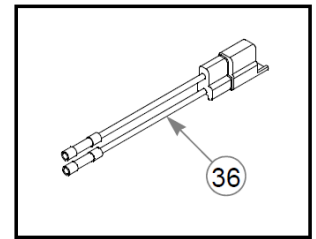
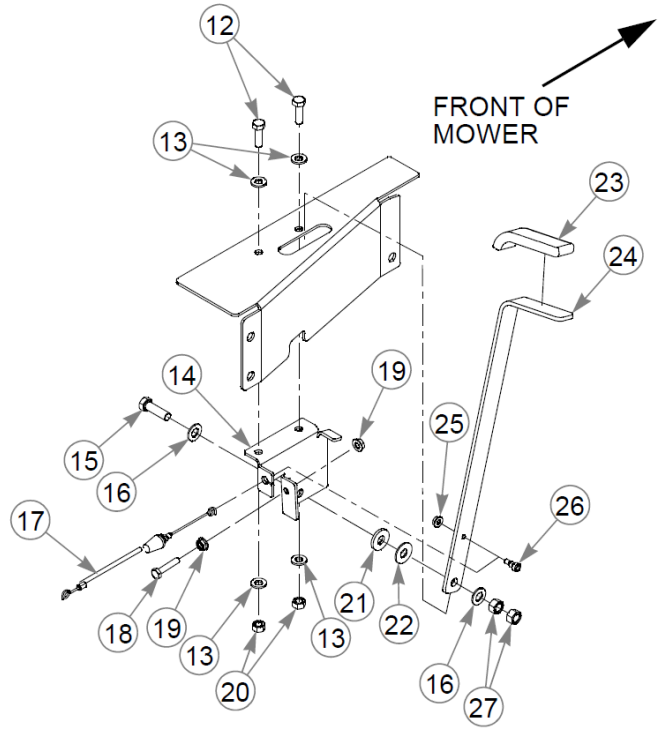
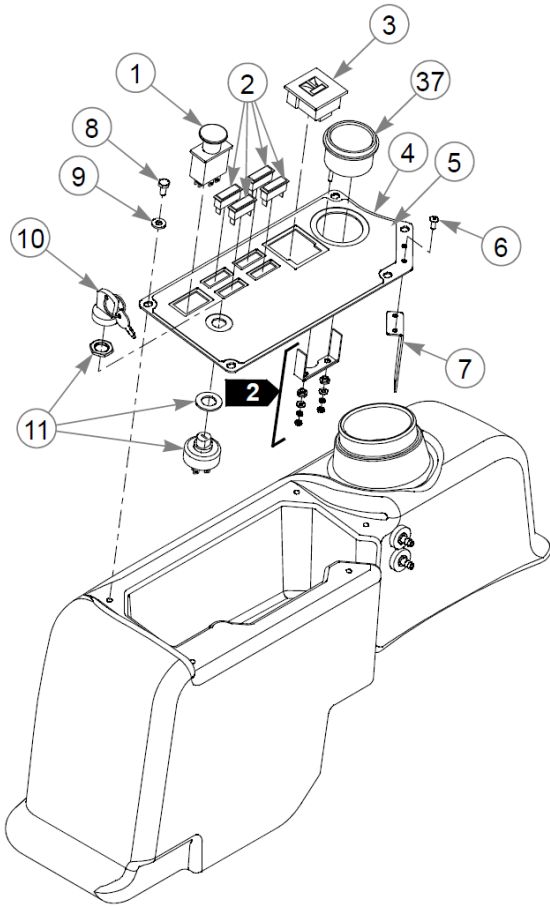
Item	Part No.	Qty	Name
1	601694K	1	SVC KIT, SUCTION HOSE
2	601695K	1	SVC KIT, SUCTION HOSE
3	785295K	2	TANK GROMMET SVC KIT



Instrument Panel & Wire Harness

60" RD Diesel Z Parts Manual - 938191CE - HTHDZR060SHIS773LC

Item	Part No.	Qty	Name
1	776476	1	SWITCH, PTO 6201-321
2	712257	4	INDICATOR LIGHT, RED(FS)
3	603748	1	FUEL DISPLAY/HOUR METER
4	551325	1	INSTRUMENT PANEL, HDZ
5	603758	1	DECAL, INST PANEL HDZ
6	601089	2	RIVET .188 DIA BLK HD
7	109729	1	COVER, HDZ FUEL TANK
8	055947	5	CS .250-20X0.50 HX G5 ZN
9	768515	5	FW 0.281SAE
10	785808	1	KEY ASSEMBLY
11	045898	1	IGNITION SWITCH
12	036236	2	CS .312-18X1.000HXG5
13	768523	4	FW 0.343SAE
14	109421	1	THROTTLE LEVER PLATE
15	052860	1	CS .375-16X1.25 HX G5 ZN
16	767954	2	FW 0.379X.82X.06 HD ZN
17	601362	1	THROTTLE CABLE, HDZ
18	603968	1	CS .250-20X1.25 HX FLTRD
19	016816	2	NT .250-20FLKG5
20	034272	2	NT .312-18HXG5
21	712919	1	FW 0.406X1.00X.12 HD ZN
22	601507	1	FW .406X1.000X.06 NYLON
23	603830	1	GRIP, BLACK .18x.94x4.0
24	115151	1	THROTTLE LEVER, HDZ
25	016774	1	NT #10-24 HXFLK ZN
26	601493	1	SB .250Dx.250L 10-24 ZN
27	054502	2	NT .375-16HXG5
28	794347	1	ALARM, ULTRA LOUD WARBL
29	063198	2	CS #10-24X0.750FLKG5
30	059832	3	NT #10-24 HX NL ZN
31	601368	1	CONTROLLER, HDZ S773L
32	601098	1	CB 10-24 X .500 ZYNC
33	603759	1	WIRE HARNESS, HDZ
34	000430	3	WIRE TIE, SMALL/LONG
35	000331	8	WIRE TIE, SMALL/SHORT
36	114052	1	KIT, CLUTCH CONN. REP.



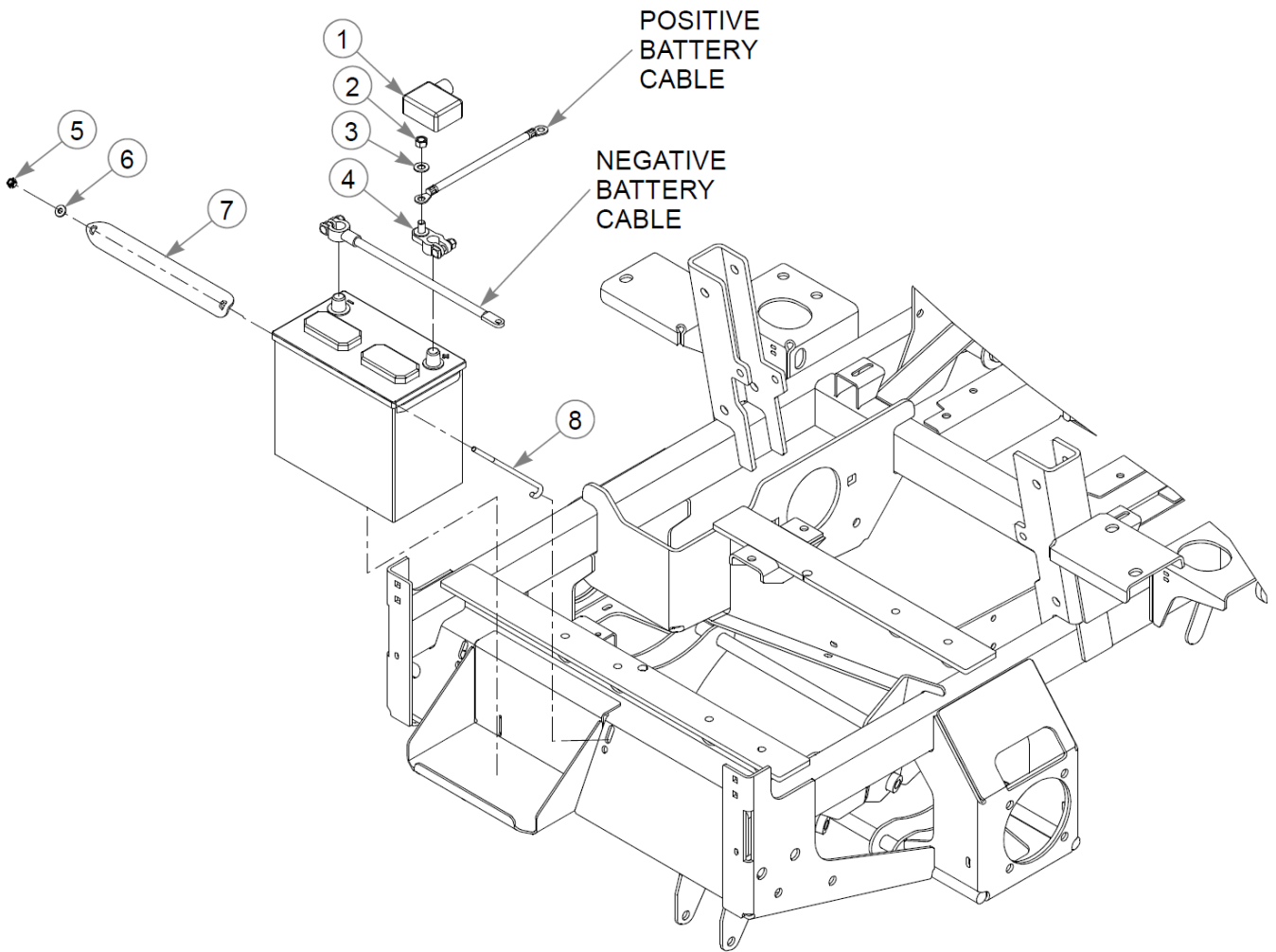
Instrument Panel & Wire Harness

Item	Part No.	Qty	Name
37	385710011	1	GUAGE, TEMP HDZ

Comments for Page: Instrument Panel & Wire Harness

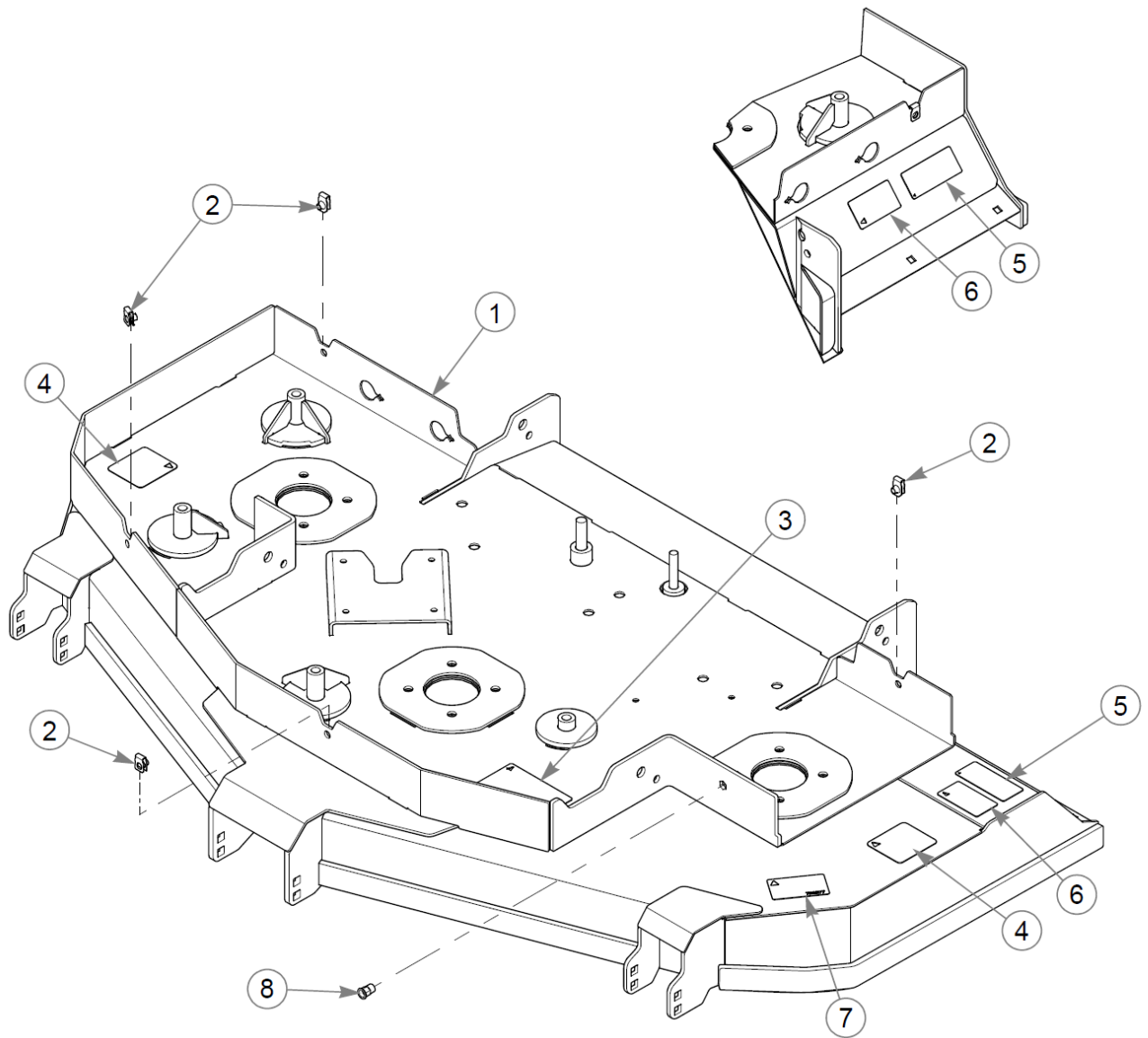
1. Part of the wire harness.
2. Included with the temperature gauge.
3. The instrument panel includes the decal.

Battery



Battery

Item	Part No.	Qty	Name
1	601381	1	BOOT, POSITIVE BATTERY
2	054502	1	NT .375-16HXG5
3	767954	1	FW 0.379X.82X.06 HD ZN
4	601380	1	POST, POS BAT MARINE
5	068551	2	NT .250-20 HXZY NL
6	768515	2	FW 0.281SAE
7	109108	1	CLAMP, BATTERY HOLDDOWN
8	793489	2	BATTERY CLAMP ROD
9	000331	1	WIRE TIE, SMALL/SHORT

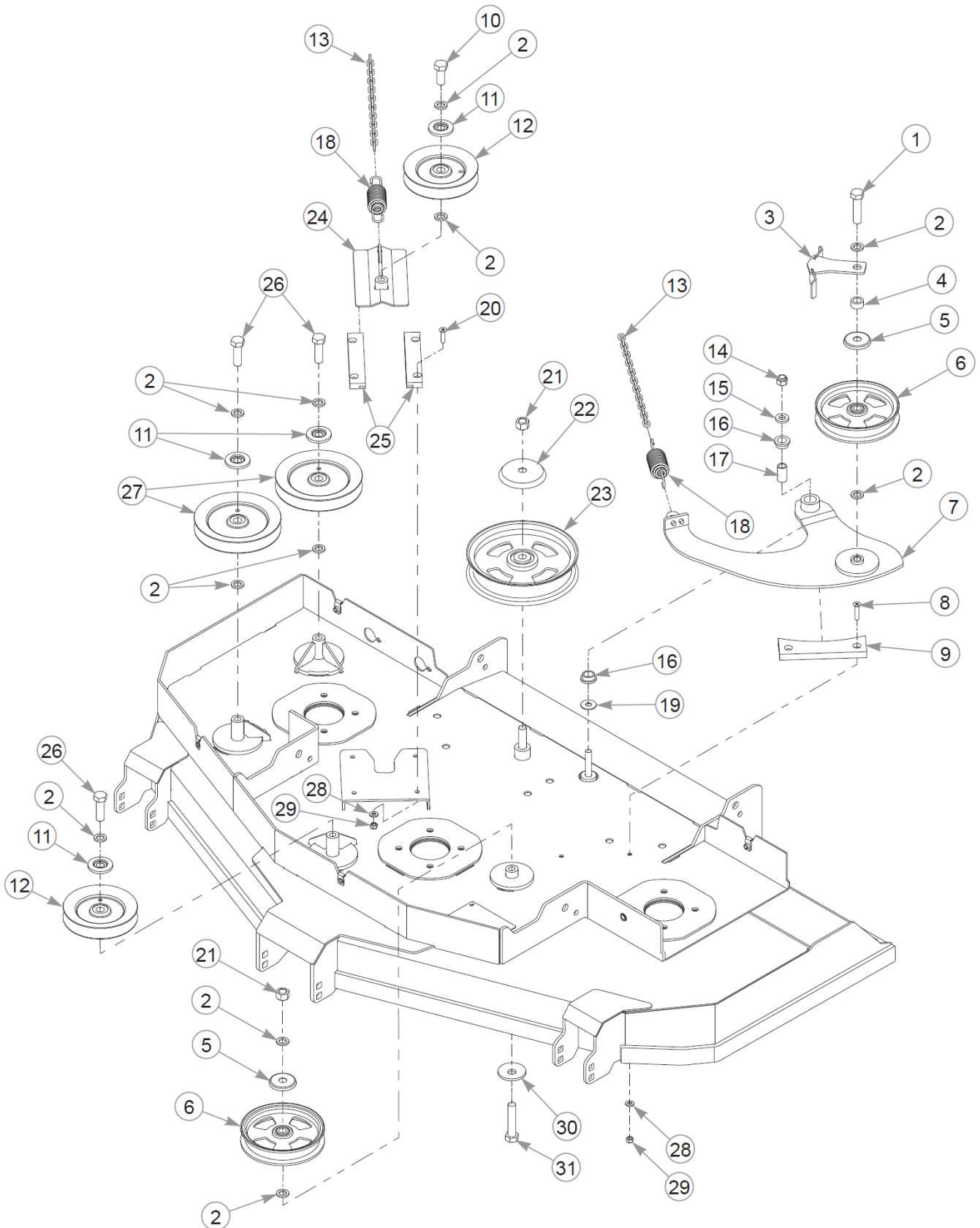


Service Deck

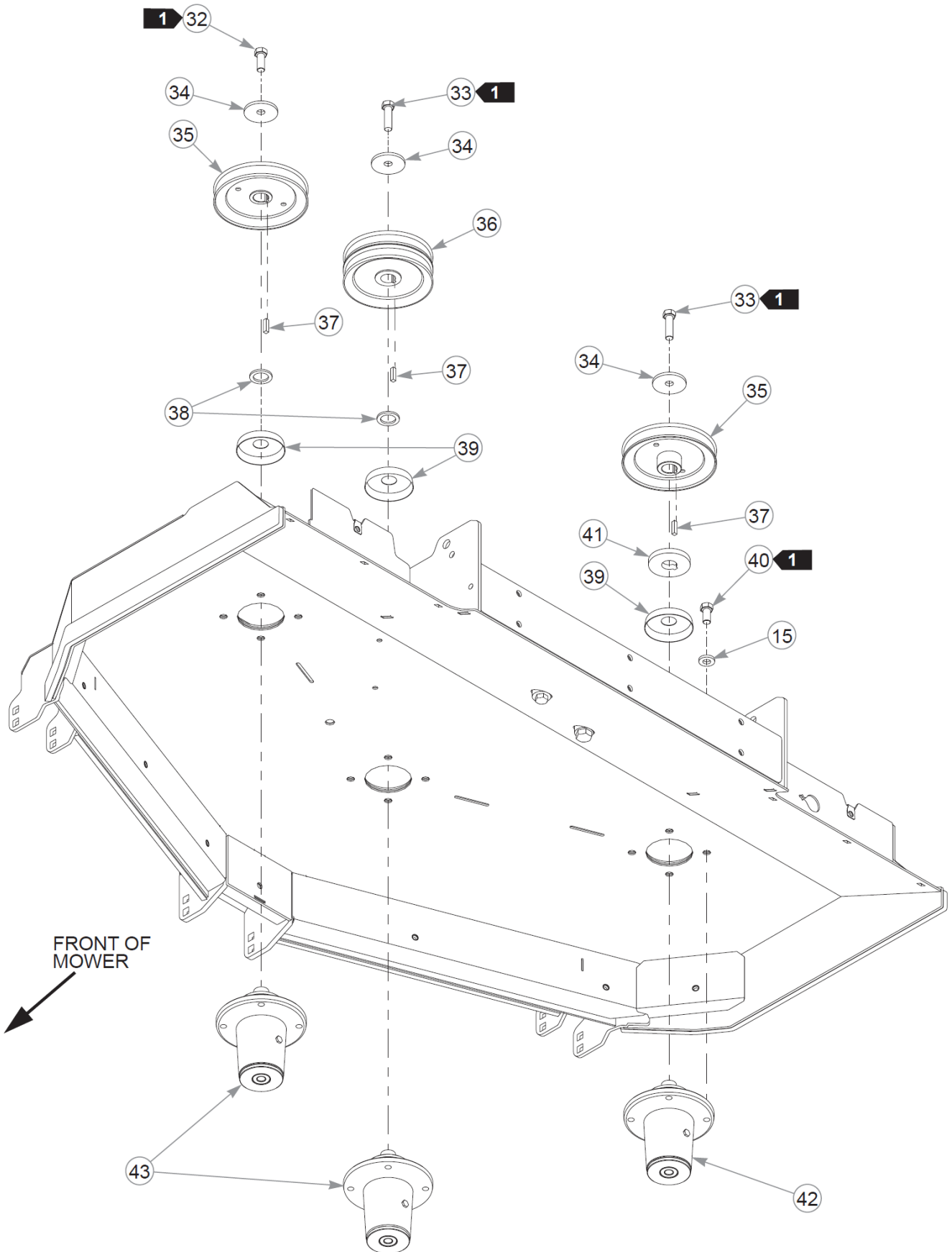
Item	Part No.	Qty	Name
1	554252	1	60" RD SERVICE DECK
2	601069	4	CN .312-18x.200 MAX THK
3	603349	1	DECAL, 2 BELT ROUTING
4	601837	2	DECAL, DECK DANGERS
5	601892	2	DECAL, THROWN OBJECTS
6	603391	2	DECAL, RUBBER FLAP
7	786277	1	DECAL, 60 DECK ID
8	792887	1	RIVET NUT,HX 5/16-18 TH

Comments for Page: Service Deck

1. The deck includes decals and hardware.



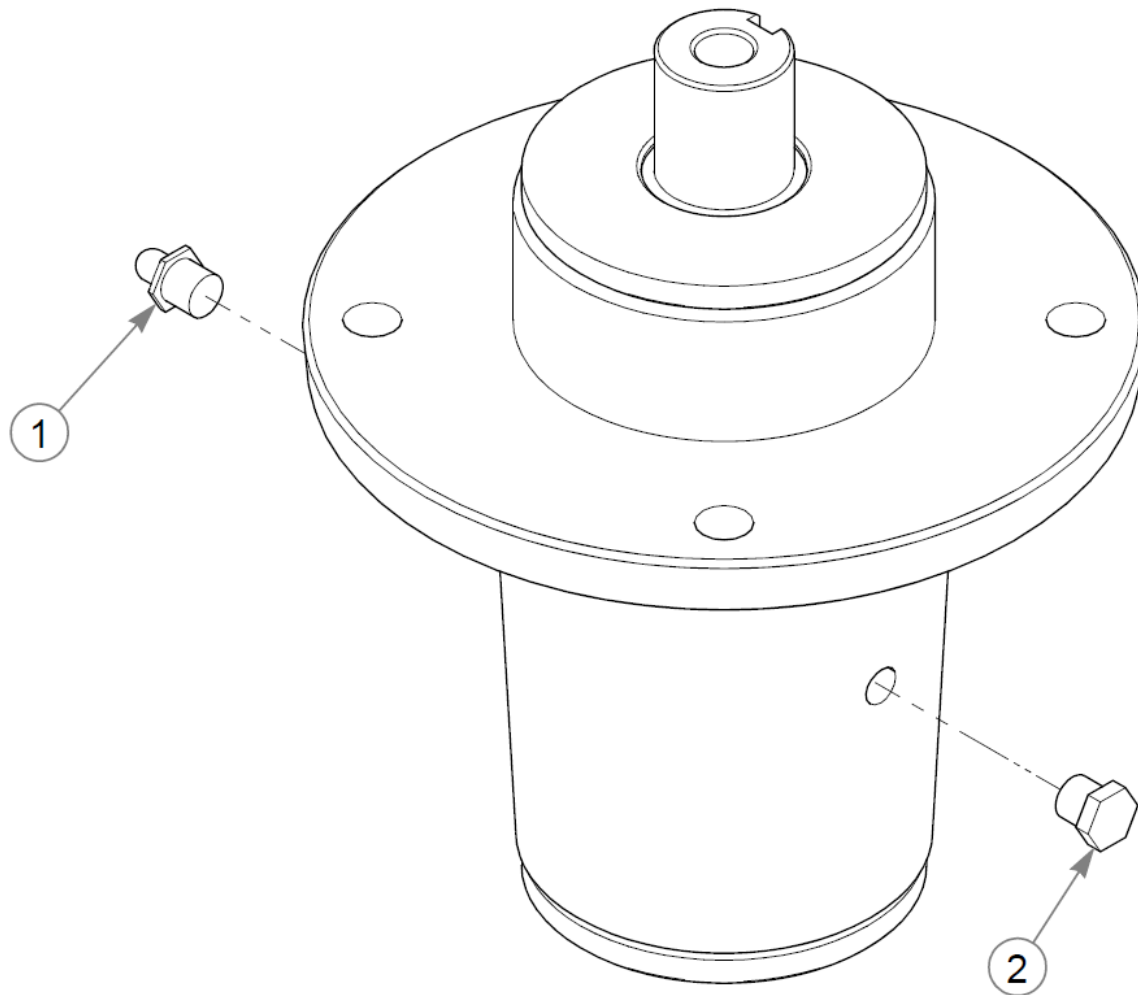
Item	Part No.	Qty	Name
1	025015	1	CS .625-11X2.500HXG5
2	028118	11	FW 0.625X1.00X.13 ZN
3	113088	1	BELT GUIDE, W/A
4	603256	1	SPACER DECK IDLER 1/2"LG
5	608144	2	SHIELD, DUST
6	602821	2	IDLER, 6.0" COMMERCIAL
7	114133	1	IDLER ARM W/A, RD DECK
8	797910	2	CS .312-18x1.50FLT SH ZN
9	601779	1	IDLER GUIDE, UHMW
10	794446	1	CS .625-11X1.500HXG5
11	603057	4	DUST SHIELD W/OFFSET
12	602672	2	PULLEY, V-IDLER HBB 5.0"
13	373191	2	CHAIN, 21 LINK
14	781567	1	NT .500-13NLG5
15	767962	13	FW .531 x 1.063 x .175
16	770867	2	BUSHING, PLAS .750x1(FS)
17	109549	1	BUSHING, IDLER PIVOT
18	781302	2	IDLER SPRING
19	704759	1	FW 0.500X1.25X.08 ZN
20	784199	4	CS .312-18X1.250 FLT SH
21	016972	2	NT .625-11 HX G5 ZN
22	602963	1	DUST SHIELD, IDLER LG
23	602838	1	IDLER, 8.0" COMMERCIAL
24	114105	1	IDLER SLIDE W/A
25	601619	2	IDLER SLIDE UHMW RT & LT
26	016642	3	CS .625-11X2.000HXG5
27	796714	2	PULLEY, 6" HB IDLER RD
28	768523	6	FW 0.343SAE
29	058776	6	NT .312-18NLG5
30	782474	1	CW .678 X 2.250 X .187
31	783738	1	CS .625-11X3.000HXG5
32	705954	1	CS .500-13X1.25 HX G5 ZN
33	017616	2	CS .500-13X1.750HXG5
34	752386	3	CW .515X 2.25X .204 BLK
35	770842	2	PULLEY, DECK DRIVE
36	524785	1	PULLEY, (711499) PTED B



Item	Part No.	Qty	Name
37	212472	3	KEY 1/4 SQ X 1.00 LG(FS)
38	045765	2	FW 1.030X1.50X.13 HD ZN
39	607409-4	3	DUST SHIELD
40	016527	12	CS .500-13X1.000HXG5
41	114108	1	SPACER 3/8" THICK
42	607408	1	SPINDLE ASSY, DUCTILE
43	607407	2	SPINDLE ASSY, DUCTILE

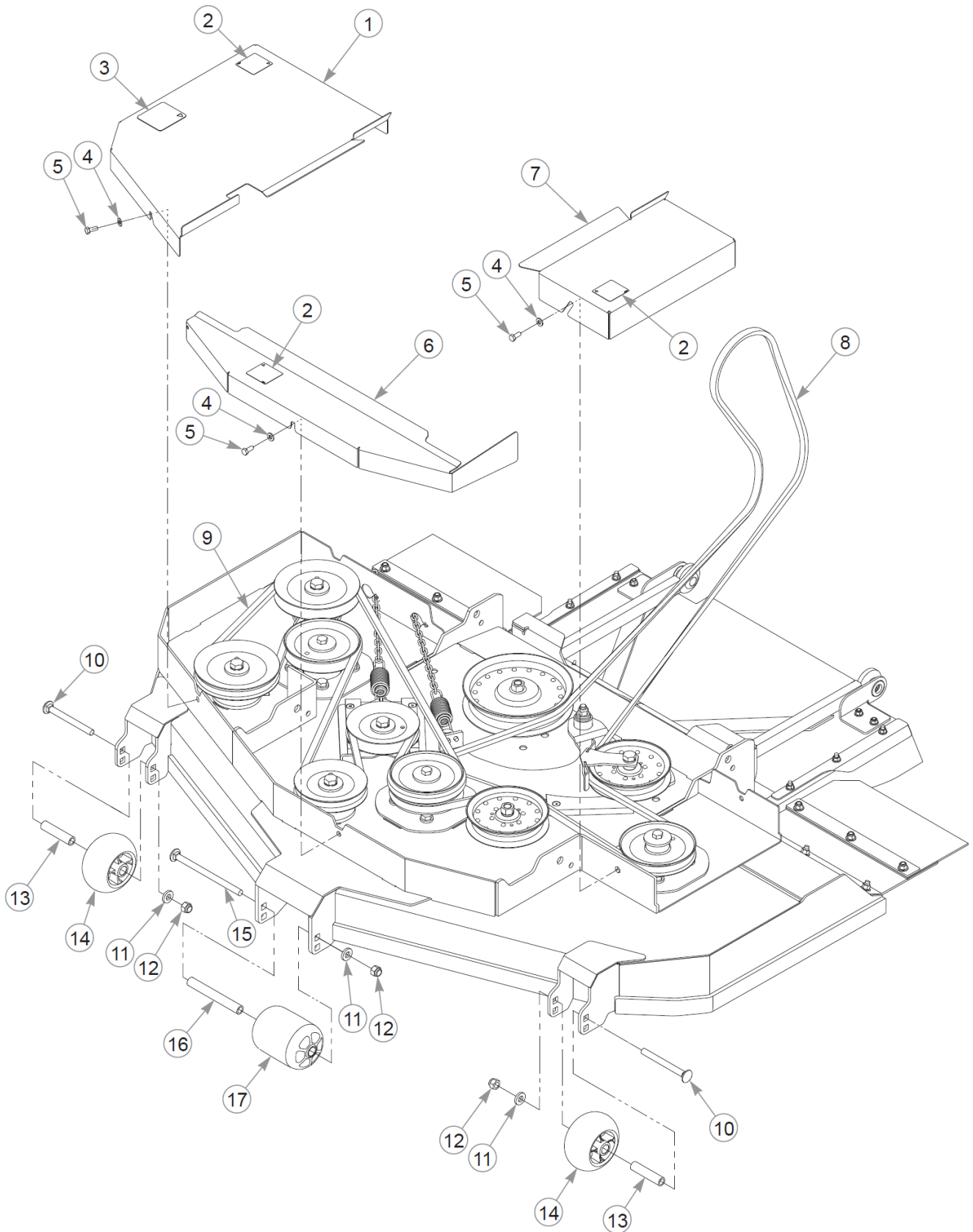
Comments for Page: Deck Pulleys & Spindles - S/N 20103723 & HIGHER (Multi-Page)

1. Torque to 88–102 N•m.



Spindle Assembly Service Parts - 607407

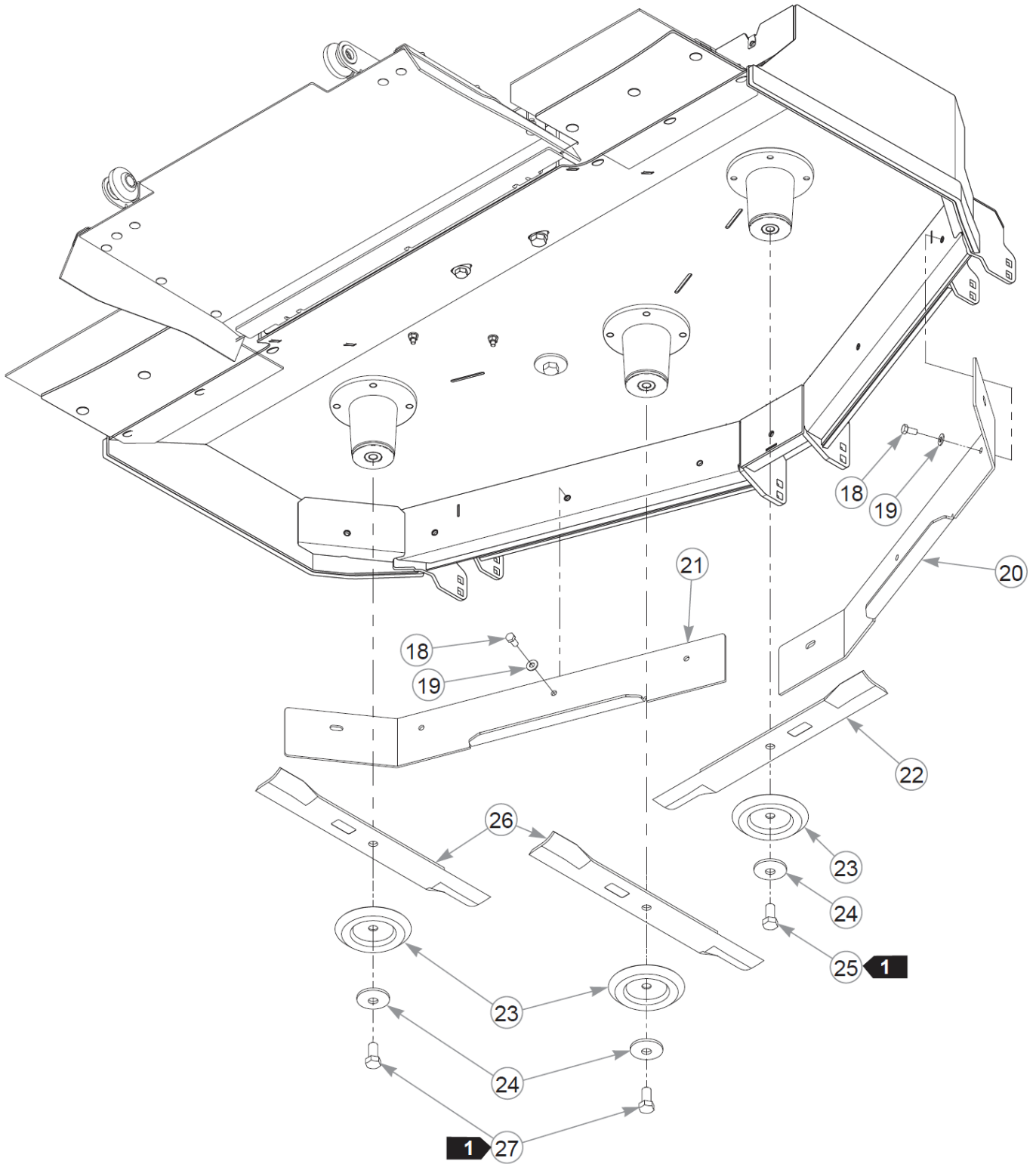
Item	Part No.	Qty	Name
1	607477	1	GREASE ZERK
2	607478	1	RELIEF FITTING



Deck Belts, Pulley Covers & Blades

60" RD Diesel Z Parts Manual - 938191CE - HTHDZR060SHIS773LC

Item	Part No.	Qty	Name
1	554760	1	SVC, PULLEY COVER RH
2	602562	3	DECAL, NO SERVICE
3	601837	1	DECAL, DECK DANGERS
4	768523	5	FW 0.343SAE
5	034280	5	CS .312-18X0.750HXG5
6	553290	1	SERVICE GUARD
7	553289	1	SERVICE GUARD, LH
8	602854	1	DECK BELT
9	603397	1	BELT, BB-SECTION
10	607288	2	CB .50-13X4.75 STD ZN
11	767962	3	FW .531 x 1.063 x .175
12	781567	3	NT .500-13NLG5
13	602345	2	SPACER, ANTI-SCALP 3.22
14	602263	2	WHEEL, ANTI-SCALP
15	602338	1	CB .50-13 X 7.50 STD ZN
16	602344	1	SPACER, ANTI- SCALP 5.73
17	602341	1	WHEEL, ANTI-SCALP
18	055822	8	CS .375-16X0.75 HX G5 ZN
19	767954	8	FW 0.379X.82X.06 HD ZN
20	114206	1	BAFFLE, ADJ 60 RD CE RS
21	114207	1	BAFFLE, ADJ 60 RD CE LS
22	795633	1	BLADE, F20.50"-L-F-CCW
Not Shown	601928	1	BLADE, 20.5"GAT-F-CCW
Not Shown	604163	1	BLADE, 20.50-MUL-F-CCW
23	114988	3	SHIELD, BLADE BOLT
24	782474	3	CW .678 X 2.250 X .187
25	604383	1	CS .625-11X1.250 G5 LHT
26	600901	2	BLADE, F20.50"-L-F-CW
Not Shown	794230	2	BLADE,20.50"GAT-F-CW
Not Shown	794214	2	BLADE,20.50"-MUL-F-CW
27	781872	2	CS .625-11X1.250HXG5

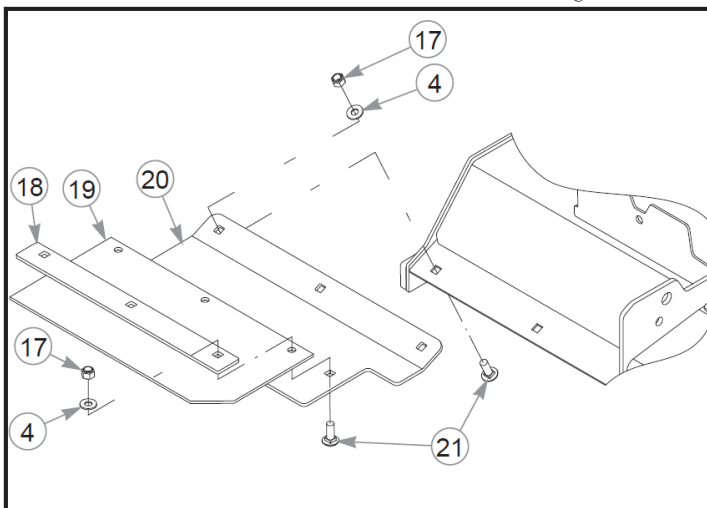
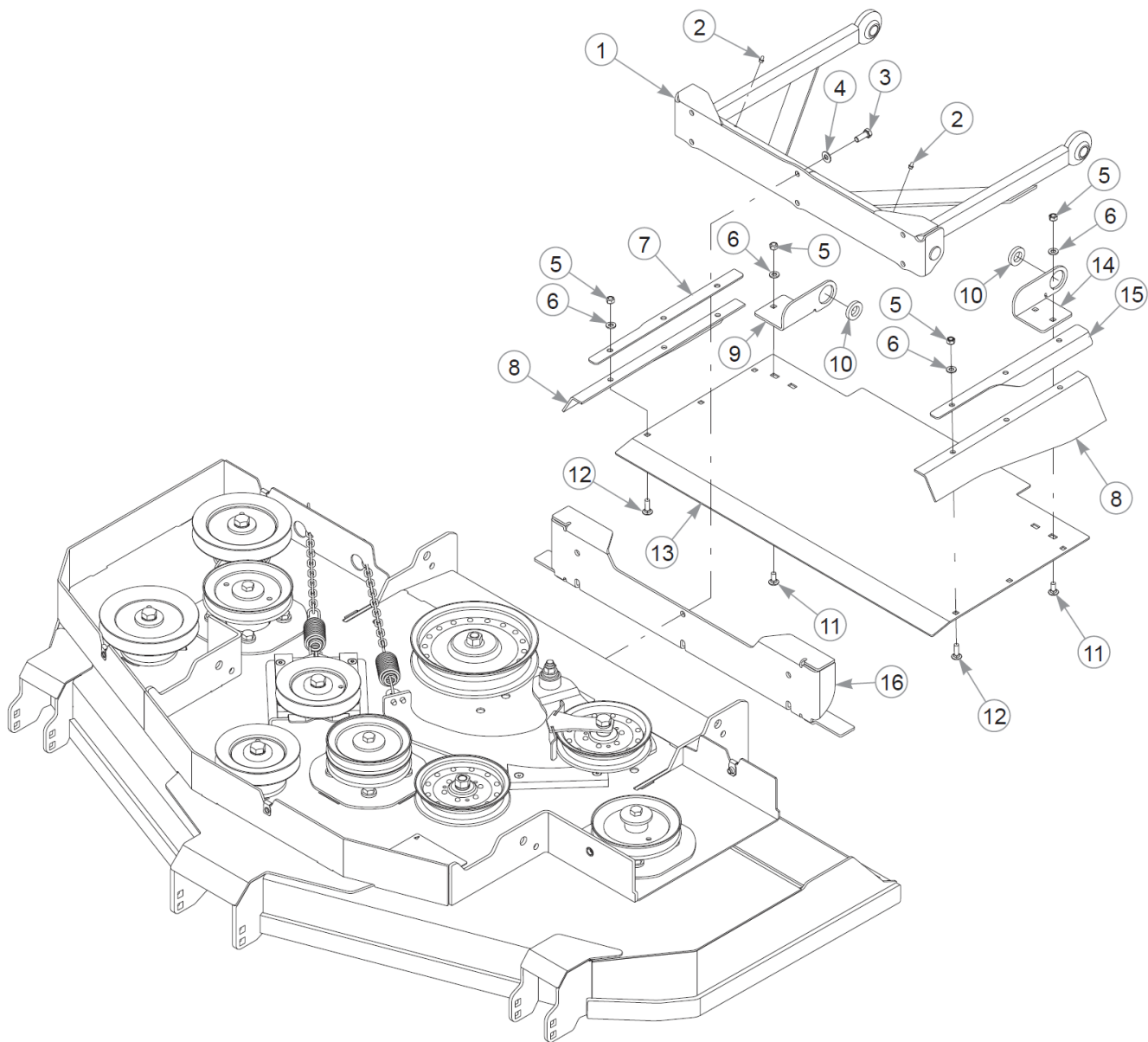


Deck Belts, Pulley Covers & Blades

Comments for Page: Deck Belts, Pulley Covers & Blades

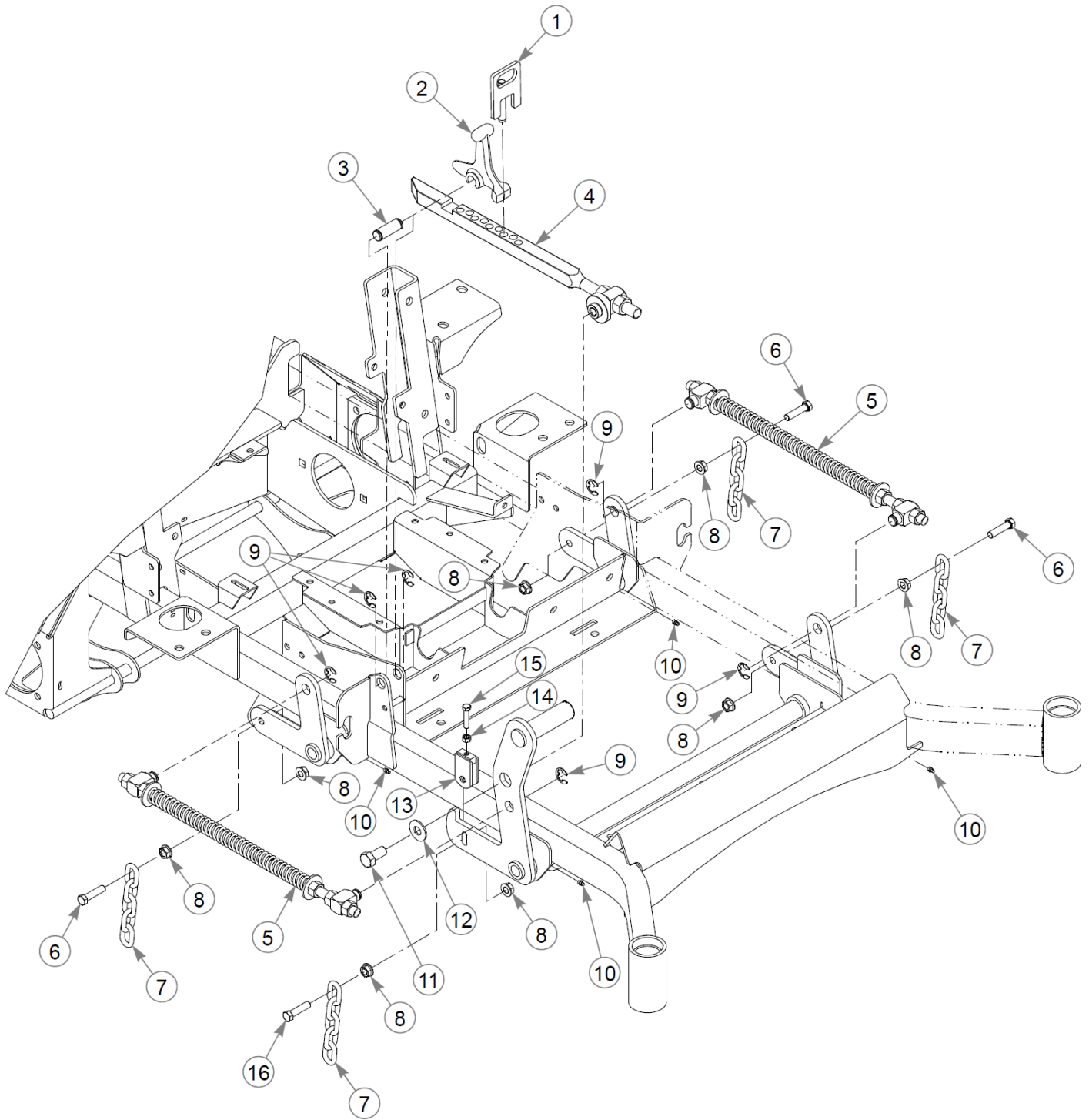
1. Torque to 160 N•m.
2. The pulley covers include the decals.

Dust Shield



Dust Shield

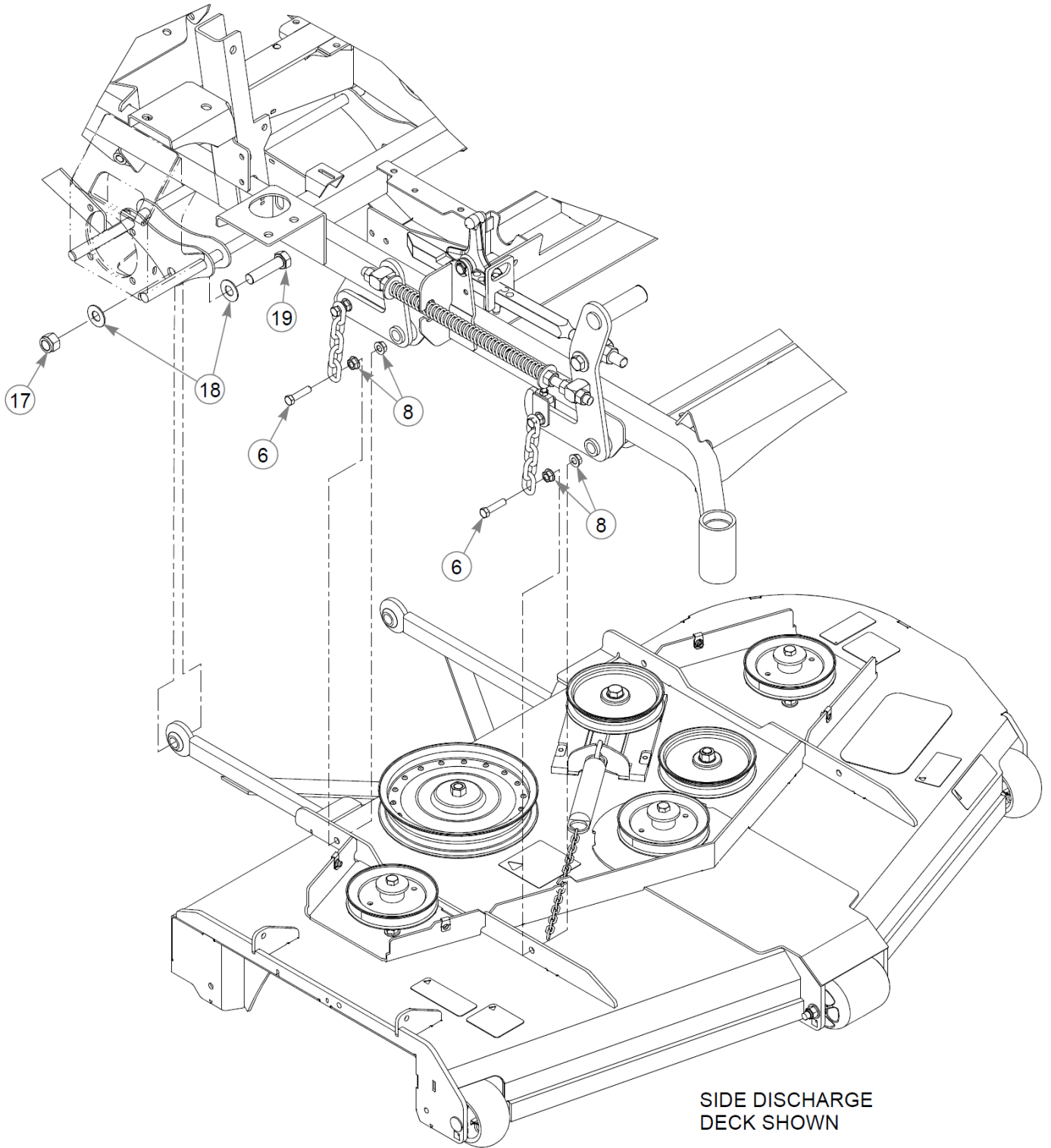
Item	Part No.	Qty	Name
1	113340	1	PUSHER W/A, HZ/SZ
2	015495	2	GREASE FITTING STRAIGHT
3	036244	6	CS .375-16X1.00 HX G5 ZN
4	767954	18	FW 0.379X.82X.06 HD ZN
5	058776	10	NT .312-18NLG5
6	768523	10	FW 0.343SAE
7	109487	1	CLAMP ANGLE RS
8	601483	2	SIDE FLAP, RUBBER
9	109483	1	CHUTE BRACKET
10	778399	2	FW .781X1.38X.25 ZN
11	016253	4	CB .312-18X .750 FUL ZN
12	037887	6	CB .312-18X 1.000 FUL ZN
13	115533	1	SHIELD, DISCHARGE RD
14	109482	1	CHUTE BRACKET
15	109486	1	CLAMP ANGLE LS
16	114522	1	STOP, REAR DECK W/A
17	086660	12	NT .375-16NLG8
18	110182	2	FLAP HOLD DOWN
19	601717	2	RUBBER DISCHARGE FLAP
20	110181	1	FLAP EXT, LH 60"HDZ RD
21	025395	12	CB .375-16X 1.00 G5 ZN
22	110180	1	FLAP EXT, RH 60"HDZ RD



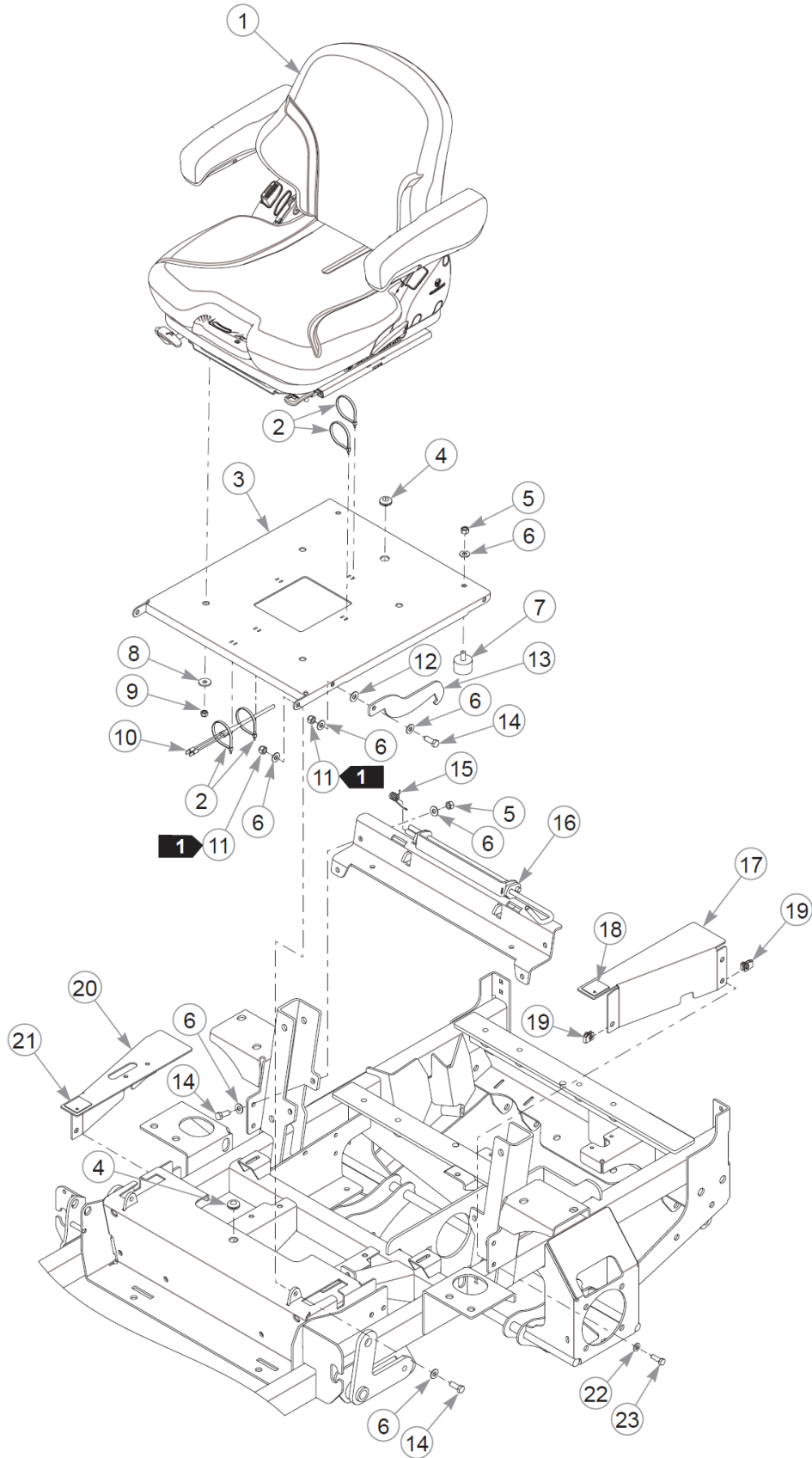
Deck Lift & Mounting Hardware (Multi-Page)

60" RD Diesel Z Parts Manual - 938191CE - HTHDZR060SHIS773LC

Item	Part No.	Qty	Name
1	600437	1	PIN, DECK HEIGHT W/A
2	348318	1	HANDLE, STOP
3	781229	1	CE .750X2.25 X1.75 HEAD
4	602898	1	DECK LIFT
5	603184	2	DECK LIFT SPRING S/A
6	055749	7	CS .437-14X1.750HXG5
7	348391	4	CHAIN, DECK LIFT
8	704643	16	NT .437-14FLKG5
9	781294	6	CLIP E, 1.00 X.625X .05
10	015495	4	GREASE FITTING STRAIGHT
11	781872	1	CS .625-11X1.250HXG5
12	704783	1	FW 0.625X1.500X0.105
13	348458	1	YOKE W/A, DECK LEVELER
14	034272	1	NT .312-18HXG5
15	756270	1	CS .312-18X1.500HXG5
16	781831	1	CS .437-14x1.75 FULTHG5
17	061101	2	NT .750-10 HX ZN NL GR B
18	025296	4	FW .760X1.63X0.08 ZN
19	789115	2	CS .750-10X3.500HXG5



This page intentionally left blank

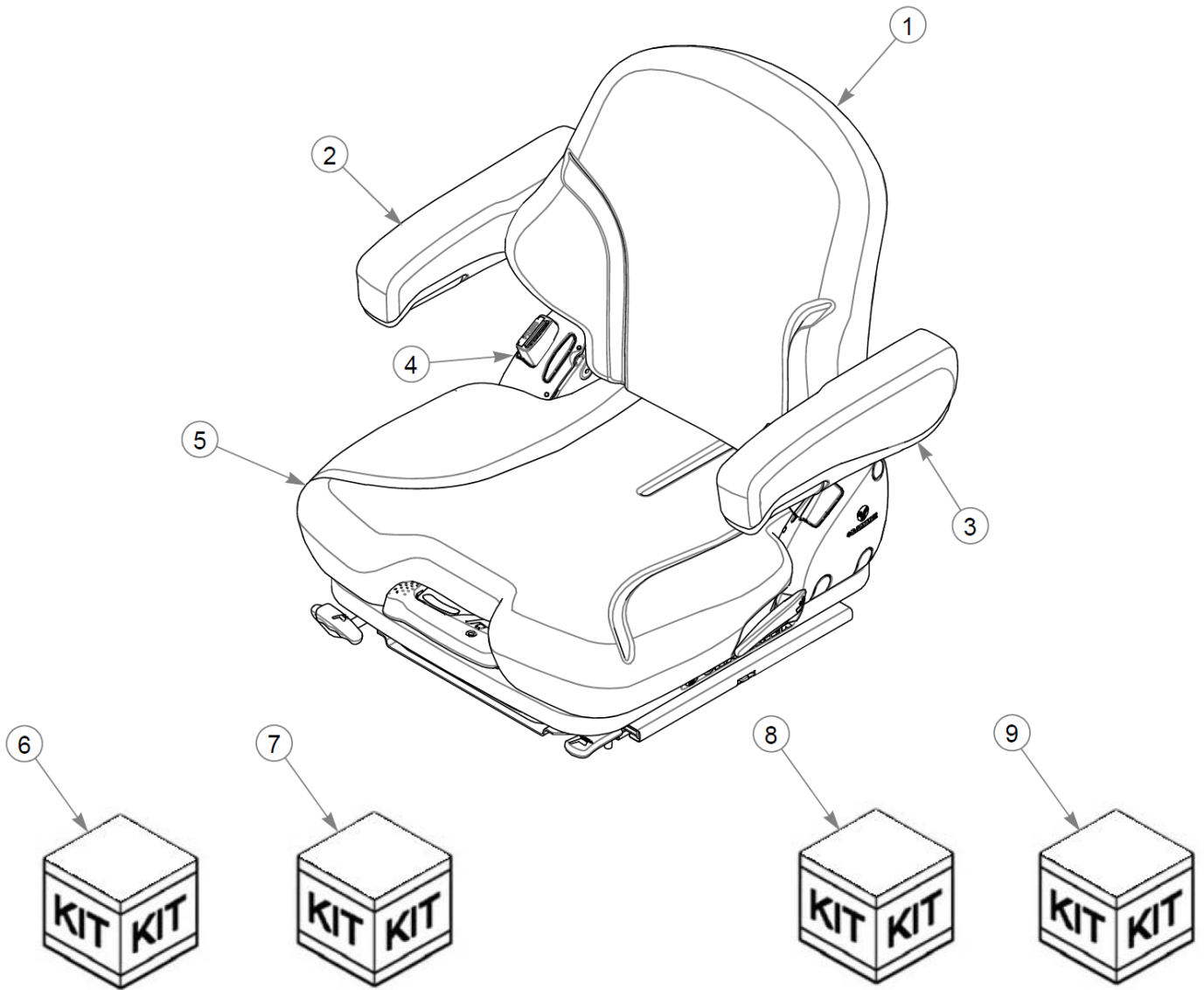


Seat

Item	Part No.	Qty	Name
1	605696	1	SEAT, GRAMMER W ISOLATOR
2	000331	4	WIRE TIE, SMALL/SHORT
3	551136	1	SEAT PAN, SERVICE
4	080358	2	GM .50X1.00X.75X.12
5	054502	6	NT .375-16HXG5
6	767954	16	FW 0.379X.82X.06 HD ZN
7	601650	2	VIBRATION MOUNT 70DURO
8	712927	4	FW 0.344X1.00X.12 HD ZN
9	058776	4	NT .312-18NLG5
10	604439	1	PIGTAIL, SEAT SWITCH
11	086660	3	NT .375-16NLG8
12	724716	1	WASHER, FIBER (FS)
13	350421	1	SEAT PAN STOP (PLATED)
14	036244	7	CS .375-16X1.00 HX G5 ZN
15	795583	1	SPRING,TORSION - DIESEL
16	109684	1	SEAT CATCH W/A
17	551138	1	LH FRAME COVER, SERVICE
18	785139	1	DECAL, STEERING L.S.
19	601069	6	CN .312-18x.200 MAX THK
20	551137	1	RH FRAME COVER, SERVICE
21	785220	1	DECAL, STEERING R.S.
22	768523	6	FW 0.343SAE
23	036236	6	CS .312-18X1.000HXG5

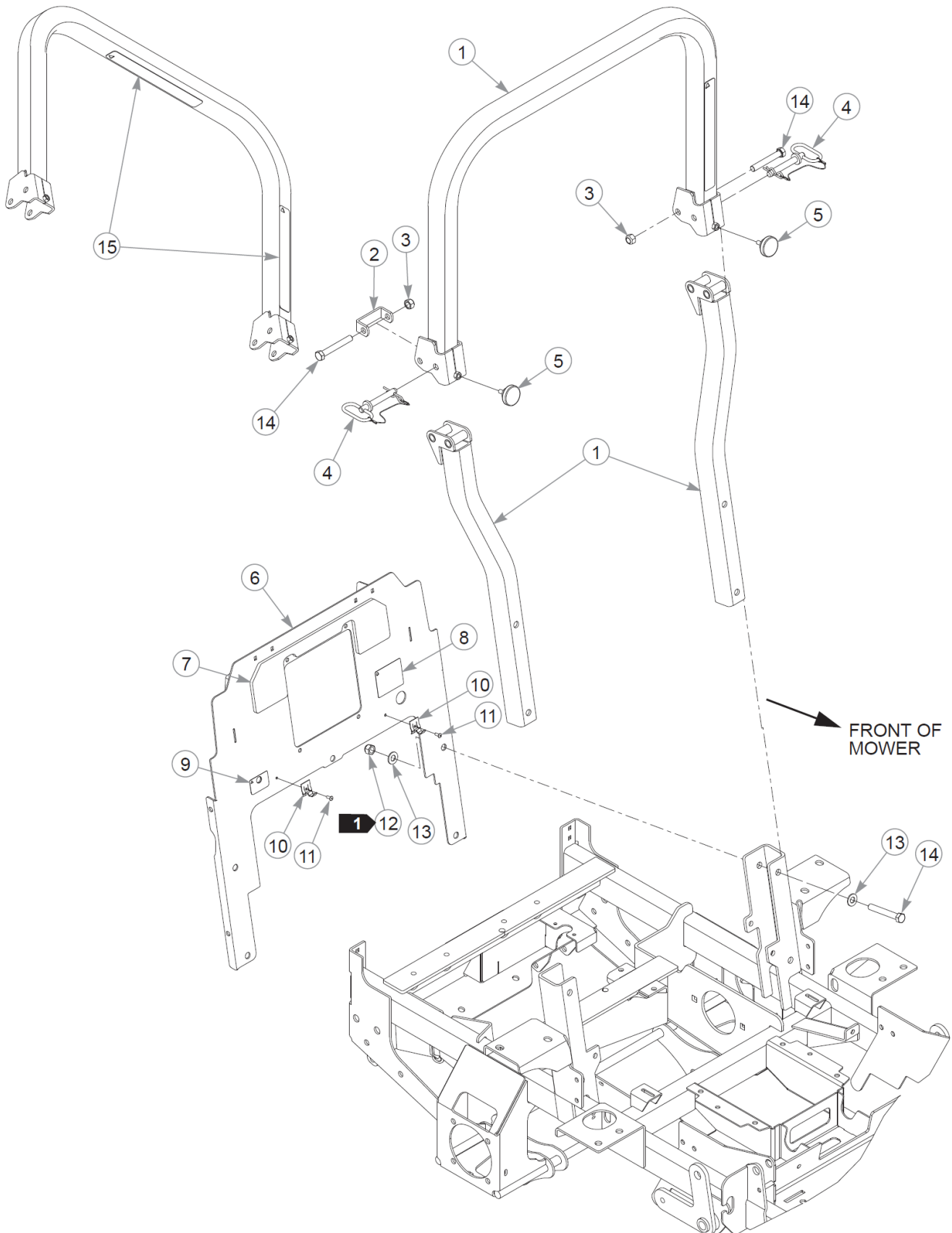
Comments for Page: Seat

1. Do not torque; the seat pan & seat pan stop must pivot freely.



Seat Service Parts

Item	Part No.	Qty	Name
Not Shown	605696	1	SEAT, GRAMMER W ISOLATOR
1	605750	1	CUSHION KIT, BACK, EXCEL
2	604938	1	ARMREST, RIGHT
3	604937	1	ARMREST, LEFT
4	604941	1	SEAT BELT
5	605752	1	CUSHION KIT, SEAT, EXCEL
6	604973	1	KIT, SEAT SWITCH
7	119287	1	KIT, SLIDE
8	119288	1	KIT, ISOLATOR
9	607248	1	SVC, SEAT HANDLE KIT



ROPS & Firewall

Item	Part No.	Qty	Name
1	603473	1	KIT, ROPS HDZ
2	601472	1	ROPS STOP
3	023317	2	NT .500-13UNTG8
4	601471	2	LYNCH PIN W/ LANYARD
5	601470	2	KNOB, HAND FOR ROPS
6	551140	1	FIREWALL ASSY, SERVICE
7	601559	1	SEAT PAD, FIREWALL
8	601377	1	DECAL, CHECK ENG OIL
9	601246	1	DECAL, FUEL VALVE HDZ
10	010306	2	LUDWIG SNAP FASTNER A-1
11	601089	2	RIVET .188 DIA BLK HD
12	781567	4	NT .500-13NLG5
13	767962	8	FW .531 x 1.063 x .175
14	061812	6	CS .500-13X3.50 HX G5 ZN
15	601635	2	DECAL, ROP'S

Comments for Page: ROPS & Firewall

1. Torque to 99 N•m..
2. The ROPS kit includes decals, hardware and seatbelt.
3. The firewall kit includes decals, seat pad and hardware.