

# Parts catalogue

## LAWN MOWER

(EXPORT MODEL)

### GRH535PRO(2Action)

MODEL	CODE
GRH535PRO	0276-ΔΔΔΔΔ

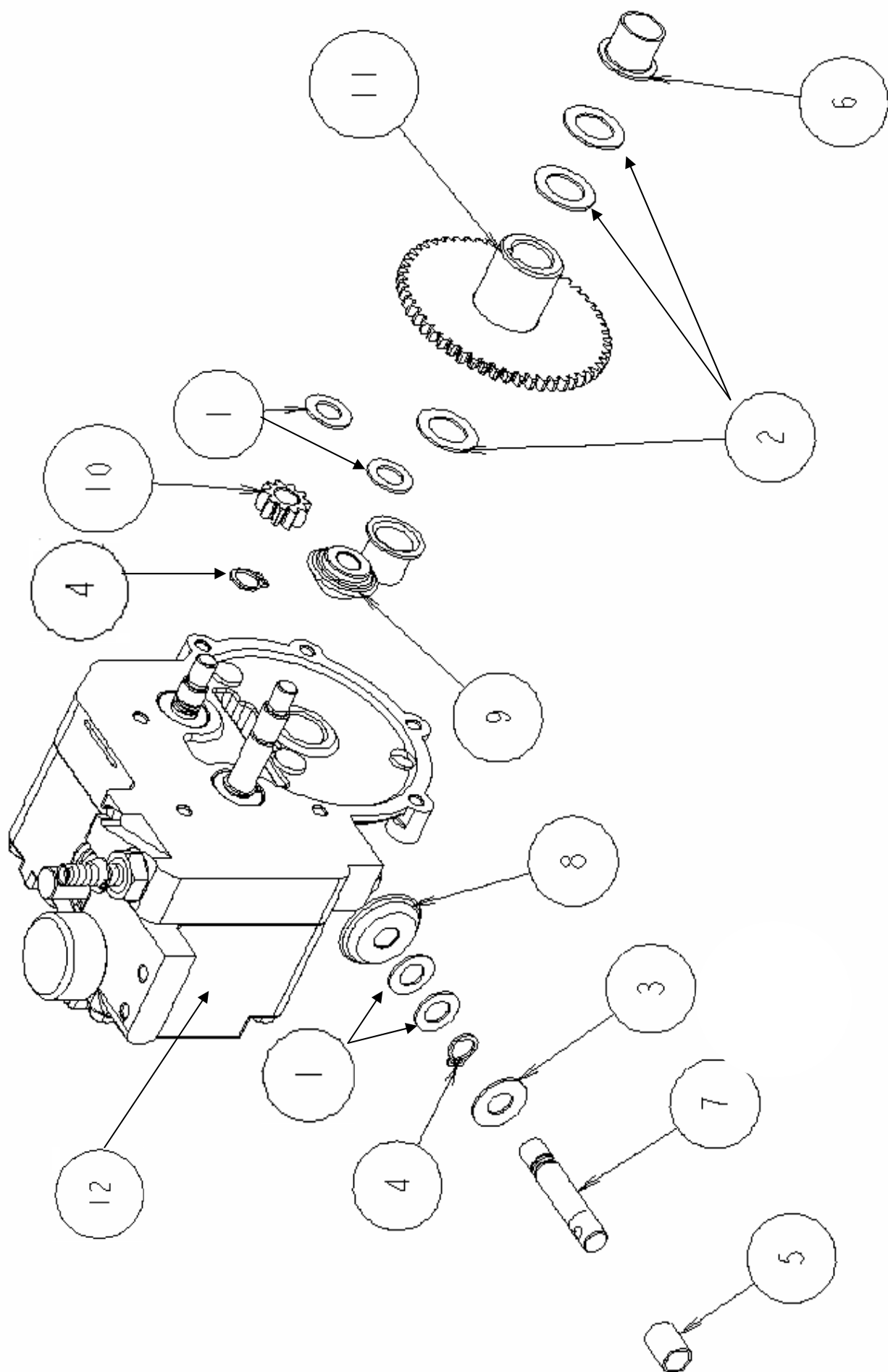
#### CONTENTS

Fig.1	GEAR CASE-----	1
Fig.2	GEAR CASE INSIDE, OUTSIDE-----	3
Fig.3	SAFETY COVER-----	5
Fig.4	WHEEL-----	7
Fig.5	HANDLE-----	9
Fig.6	BLADE AND BAG-----	11

**OREC CO.,LTD.**

*Update : June 2007*

Fig. 1 Gear Case



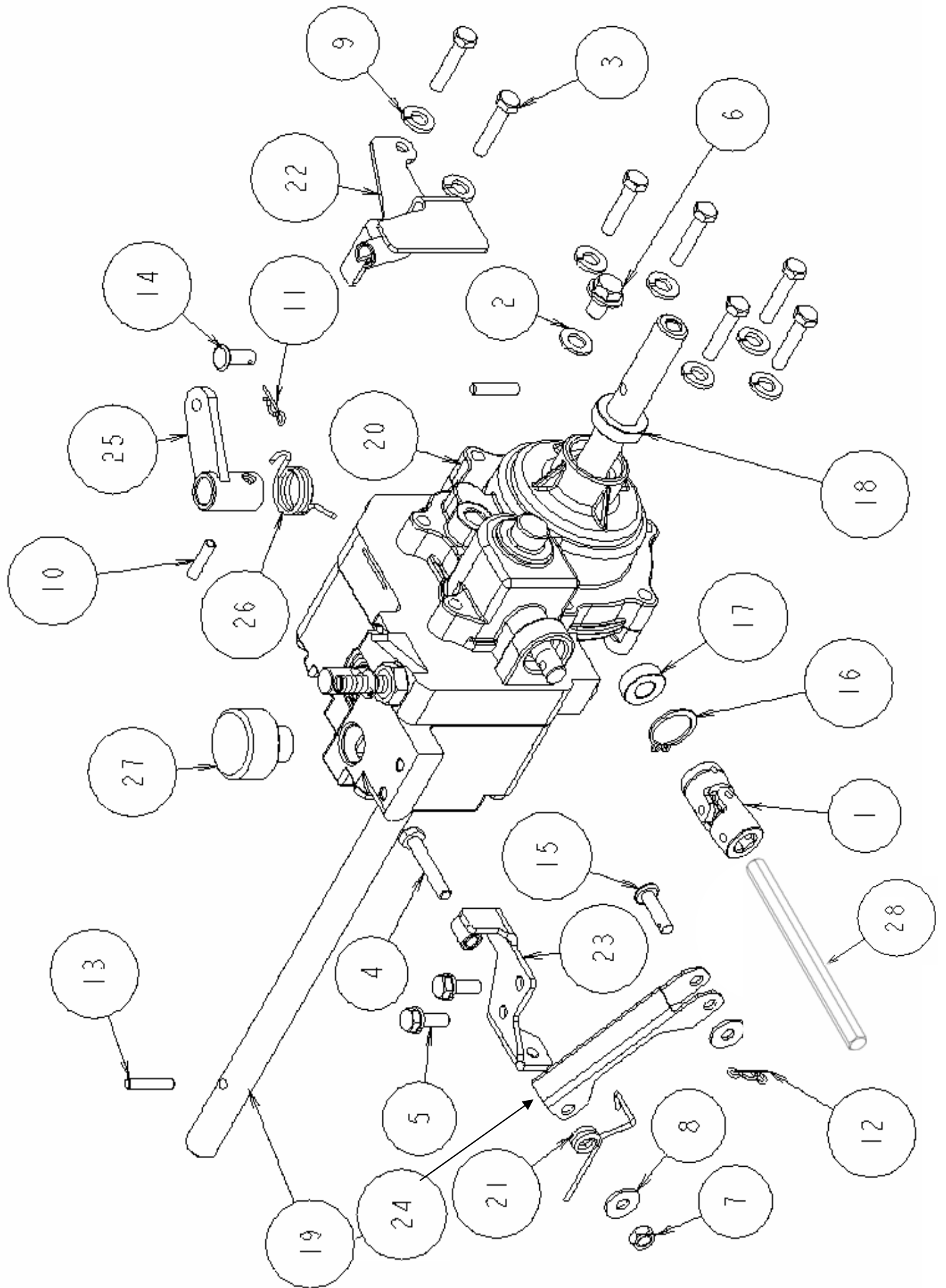
# Fig.1 Gear Case

Ref.	Parts No.	Parts Name	Quantity	Remarks
			GRH535 PRO (2Action)	
			GXV160	
	0276-00000	Gear Case Assy	1	
1	83-1020-351-00	Thrust Washer 10*18*1.0	4	
2	83-1020-361-00	Thrust Washer 15*24*1.0	3	
3	83-1210-352-00	Thrust Washer 10*22*1.0	1	
4	89-2511-000100	Snap Ring (S10)	3	
5	89-3510-010150	DU Bush 10.15	1	
6	89-3511-015150	DU Bush 15.15.23F	2	
7	0276-00500	Input Shaft	1	
8	0276-00800	Bevel Gear 25T	1	
9	0276-00900	Bevel Gear 20T	1	
10	0276-01100	Gear 10T	1	
11	0276-01200	Gear 54T CMP	1	
12	0276-01000	HST Unit	1	

MEMO

**Note 1: Transmission ASSY consists from parts 1 to 12(this page) and 1 to 12, 14 to 27(next page).**

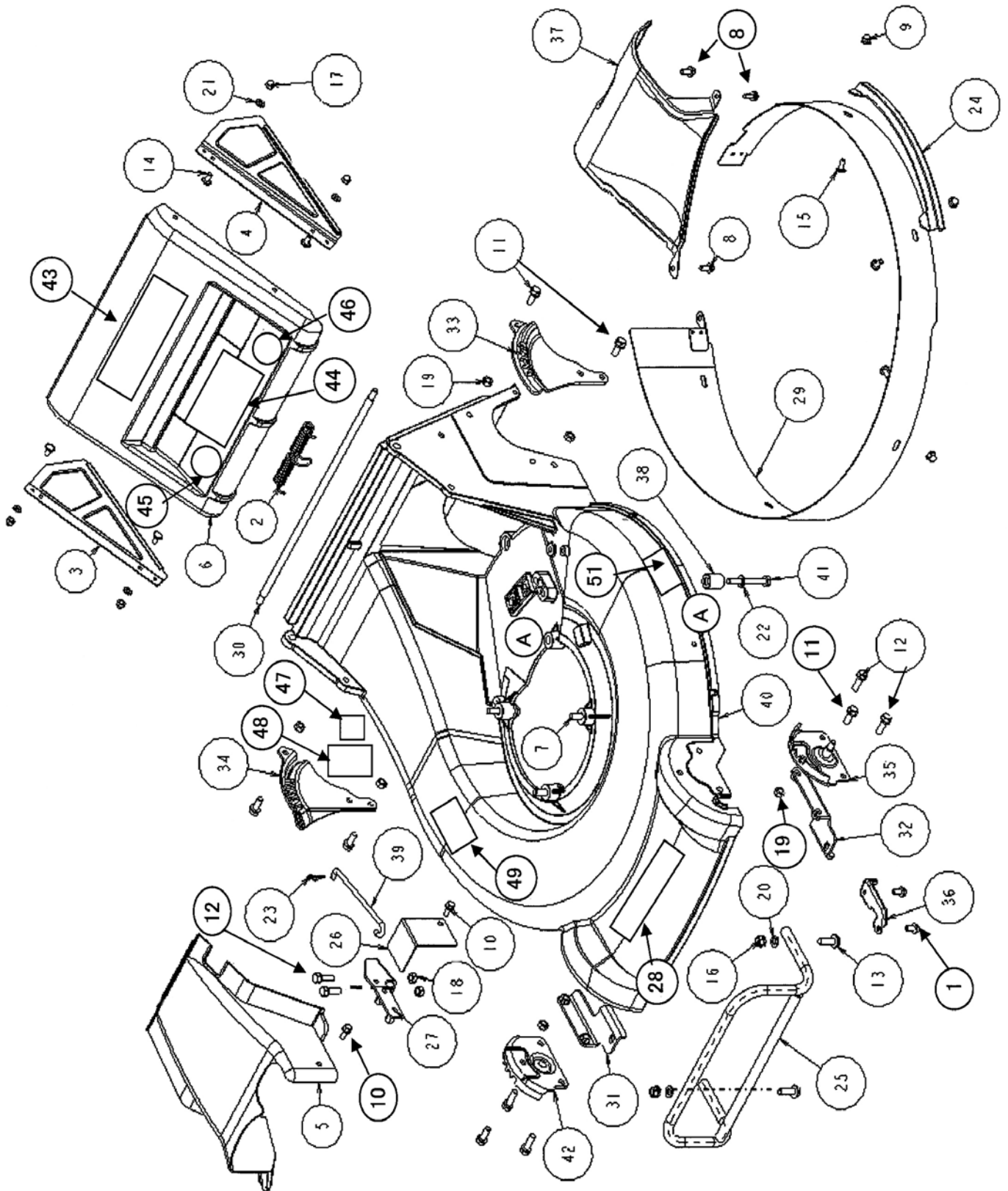
Fig. 2 Gear Case (Inside, Outside)



# Fig 2 Gear Case (Inside, Outside)

Ref.	Parts No.	Parts Name	Quantity	Remarks
			GRH535 PRO (2Action) GXV160	
1	80-1020-515-00	Universal Joint NC-10-37C1	1	
2	83-1415-348-00	Packing 8.5*16*1.3	1	
3	89-1111-060302	Hexagonal Bolt M6*30	7	
4	89-1113-060352	Hexagonal Bolt (8T) M6*35	1	
5	89-1135-060182	Hexagonal Bolt (SW) M6*18	2	
6	89-1251-080122	Flange Mini Hexagonal Bolt M8*12	3	
7	89-1551-060002	Hexagonal U Nut M6	1	
8	89-1713-060002	Flat Washer 6 (large)	2	
9	89-1750-080002	Spring Washer 8	7	
10	89-2111-050020	Spring Pin 5*20	1	
11	89-2131-080002	Snap Pin 8	1	
12	89-2132-060002	Snap Pin 6 (with stopper)	1	
13	89-2142-050250	Parallel Pin 5*25	2	
14	89-2181-060162	Flat Head Pin 6*16	1	
15	89-2181-060222	Flat Head Pin 6*22	1	
16	89-2511-000200	Snap Ring (S20)	1	
17	89-5121-102007	Oil Seal UE 10.20.7	1	
18	89-5121-152507	Oil Seal UE 15.25.7	2	
19	0276-00100	Axle	1	
20	0276-00400	Gear Case (Left)	1	
21	0276-01400	Spring for Driving Clutch Return	1	
22	0276-01500	Clutch Bracket CMP	1	
23	0276-01600	Lock Arm Bracket (H) CMP	1	
24	0276-01700	Driving Clutch Arm	1	
25	0276-01800	Driving Change Arm	1	
26	0276-01900	Spring for Change Arm Return	1	
27	0276-70100	Air Bleezer	1	
28	80-1020-526-00	Drive Shaft H 136L	1	

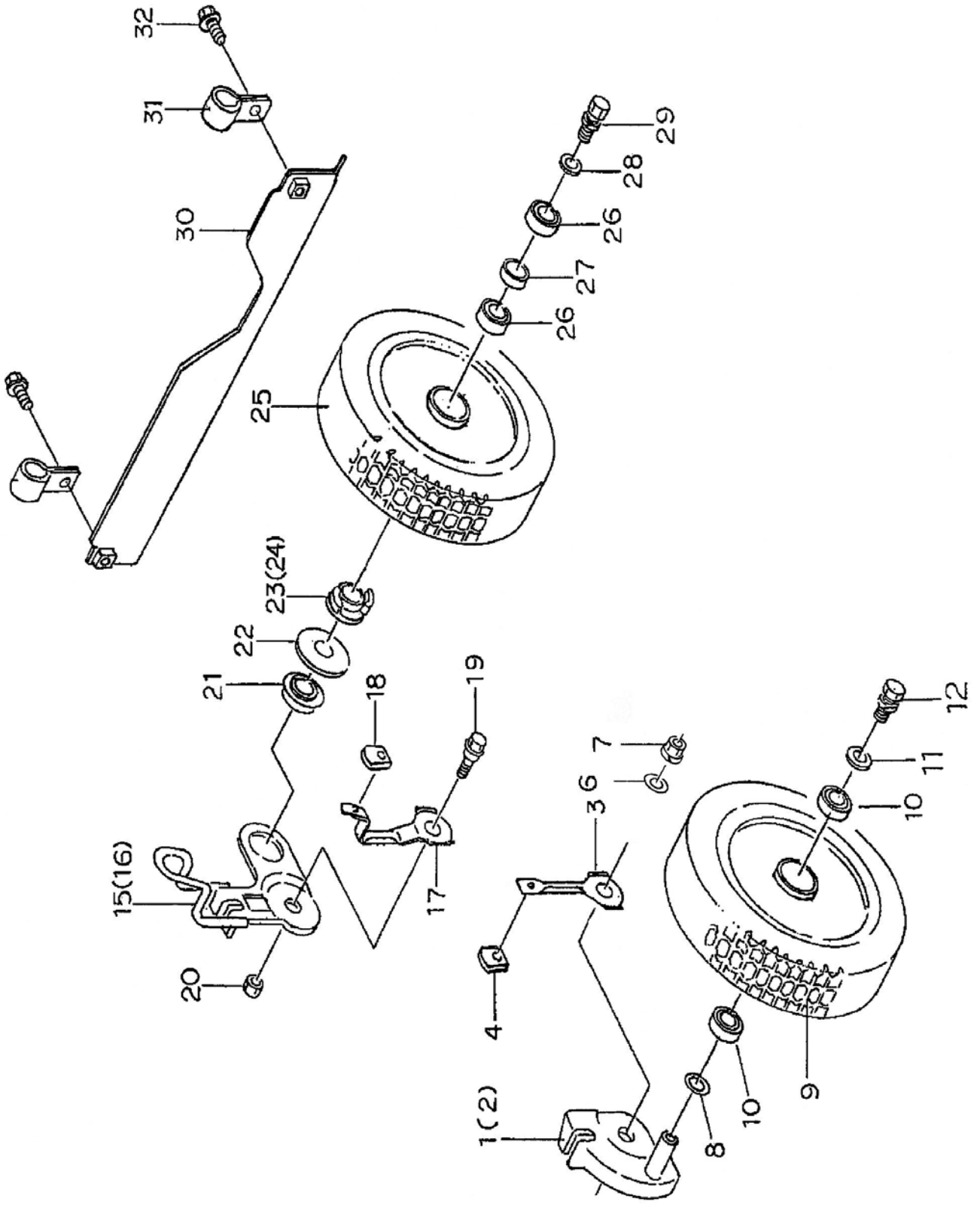
Fig. 3 Safety Cover



# Fig 3 Safety Cover

Ref.	Parts No.	Parts Name	Quantity	Remarks
			GRH535 PRO (2Action) GXV160	
1	83-1020-148-00	Tapping Bolt M6*14	2	
2	80-1020-753-00	Rear Cover Spring	1	
3	80-1020-754-20	Side Plate (Left)	1	
4	80-1020-755-20	Side Plate (Right)	1	
5	80-1022-733-10	Gear Case Cover (H)	1	
6	80-1022-751-00	Rear Cover	1	
7	83-1020-116-00	Hexagonal Bolt 5/16-24*45UNF (H)	3	
8	83-1020-148-00	Tapping Bolt M6*14	3	
9	83-1575-189-00	Flange Cap Nut M6	5	
10	89-1139-060163	Hexagonal Bolt (PWSW) M6*16	1	
11	89-1232-080203	Mini Hexagonal Bolt (SW) M8*20	6	
12	89-1232-080252	Mini Hexagonal Bolt (SW) M8*25	6	
13	89-1253-080252	Flange Mini Hexagonal Bolt (8T) M8	2	
14	89-1390-060123	Welded Bolt M6*12	4	
15	89-1390-060142	Welded Bolt M6*14	5	
16	89-1543-080002	Mini Hexagonal Nut (SW) M8	2	
17	89-1571-060043	Cap Nut M6	4	
18	89-1611-080042	Mini Hexagonal Nut M8	2	
19	89-1611-080043	Mini Hexagonal Nut M8	6	
20	89-1712-080002	Flat Washer 8	2	
21	89-1750-060003	Spring Washer 6	4	
22	89-1750-080003	Spring Washer 8	4	
23	89-2131-080002	Snap Pin 8	1	
24	0230-20700	Side Guard	2	
25	0230-20800	Front Bumper CMP	1	
26	0230-60110	Shaft Cover 53H	1	
27	0276-60100	Lock Arm Bracket CMP	1	
28	0278-70400	Label (Large)	1	
29	0278-20600	Inside Guard CMP	1	
30	0278-20700	Rear Cover Shaft	1	
31	0278-21200	Front Bumper Setting Plate (L)	1	
32	0278-21300	Front Bumper Setting Plate (R)	1	
33	0278-30300	Rear Wheel Adjusting Plate (L)	1	
34	0278-30400	Rear Wheel Adjusting Plate (R)	1	
35	0278-30700	Front Wheel Adjusting Plate (L)	1	
36	0278-50300	Blade Wire Setting	1	
37	0278-50400	Guide 535	1	
38	0278-50500	Collar for Engine Setting	1	
39	0276-50100	Lock Arm	1	
40	0278-51100	Cover Pro (Body) 535	1	
41	0278-70800	Bolt 5/16-24*63UNF (H)	1	
42	0278-30800	Front Wheel Adjusting Plate (R)	1	
43	80-1020-929-00	Notice Label (Cover)	1	
44	0223-76100	Label, Caution (Large)	1	
45	0215-83200	Label, Protection Equipment	1	
46	0223-72900	Attention Mark for Slope	1	
47	80-1010-933-00	Label, CE	1	
48	80-1020-933-00	Label, Noise 98db	1	
49	80-1488-926-10	Label, Caution for Knife	1	
51	80-1020-926-00	Danger Label	2	

Fig. 4 Wheel

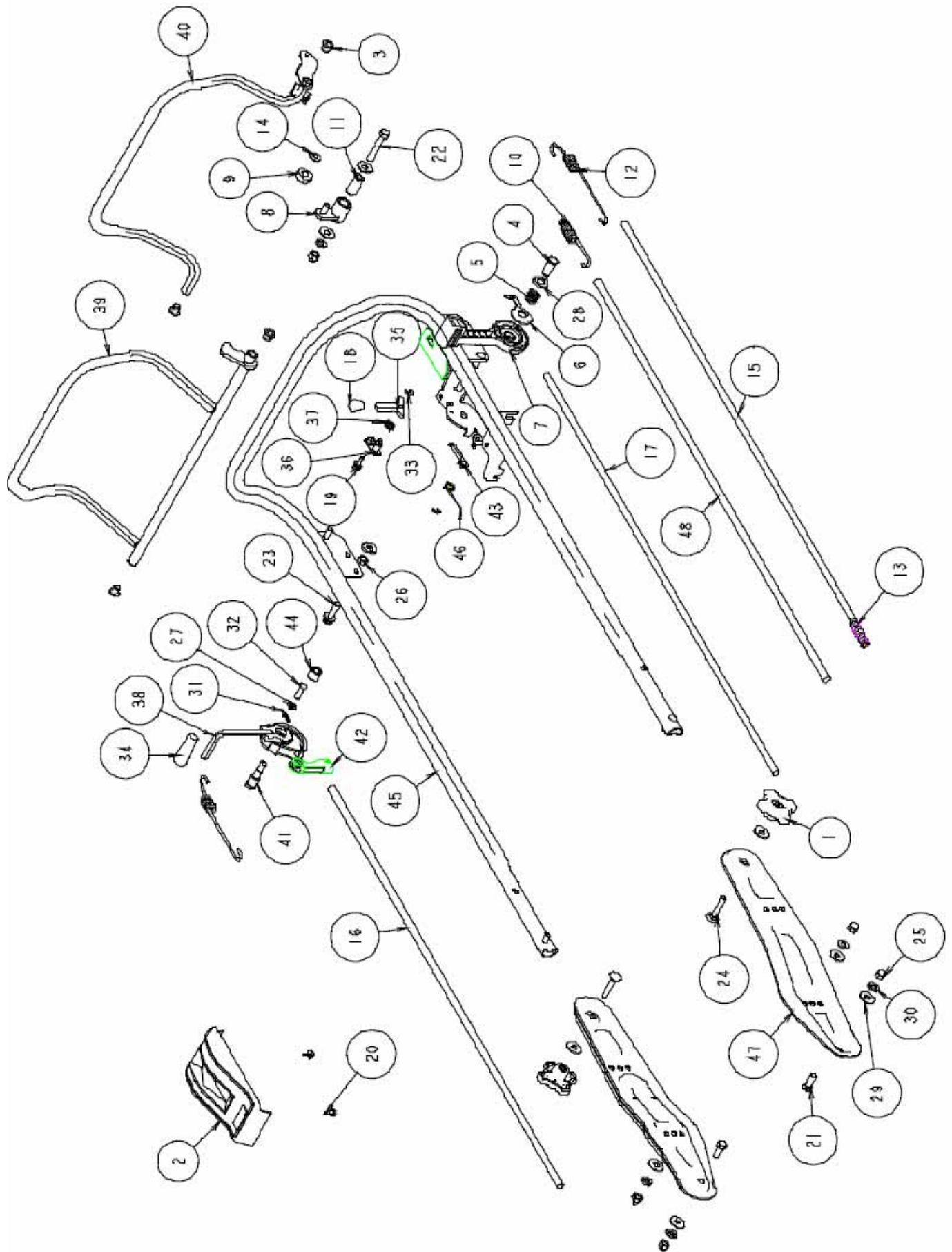




# Fig.4 Wheel

Ref.	Parts No.	Parts Name	Quantity	Remarks
			GRH535 PRO (2Action)	
			GXV160	
1	0278-30500	Front Wheel Arm (L)	1	
2	0278-30600	Front Wheel Arm (R)	1	
3	80-1022-424-00	Front Wheel Arm Stopper	2	
4	80-1020-426-10	Adjuster Grip	2	
6	89-1713-080003	Flat Washer 8 (large)	2	
7	89-1543-080003	Mini Hexagonal Nut (SW) M8	2	
8	83-1020-361-00	Thrust Washer 15*24*1.0	2	
9-10	80-1020-481-00	Steel Front Wheel Assy	2	
9	80-1020-483-00	Steel Front Wheel	2	
10	89-3115-062024	Bearing 6202 2RS	4	
11	89-1713-080003	Flat Washer 8 (large)	2	
12	89-1132-080203	Hexagonal Bolt (SW) M8*20	2	
15	0278-30100	Rear Wheel Arm (Left)	1	
16	0278-30200	Rear Wheel Arm (Right)	1	
17	80-1022-425-00	Rear Wheel Arm Stopper	2	
18	80-1020-426-10	Adjuster Grip	2	
19	80-1020-406-10	Arm Bolt	2	
20	89-1561-080003	Mini Hexagonal U Nut M8	2	
21	83-1020-987-00	Bearing ND-0.2	2	
22	80-1020-433-00	Coned Disc Spring	2	
23	80-1020-458-00	Ratchet Assembly (Left)	1	
24	80-1020-459-00	Ratchet Assembly (Right)	1	
25-27	80-1020-482-00	Steel Rear Wheel Assy	2	
25	80-1020-484-00	Steel Rear Wheel	2	
26	89-3115-062024	Bearing 6202 2RS	4	
27	80-1020-486-00	Collar 25A*8L	2	
28	89-1713-080003	Flat Washer 8 (large)	2	
29	89-1132-080203	Hexagonal Bolt (SW) M8*20	2	
30	80-1020-792-00	Flapper	1	
31	80-1020-793-10	Flapper Setting	2	
32	89-1133-060163	Hexagonal Bolt (PWSW) M6*16	2	

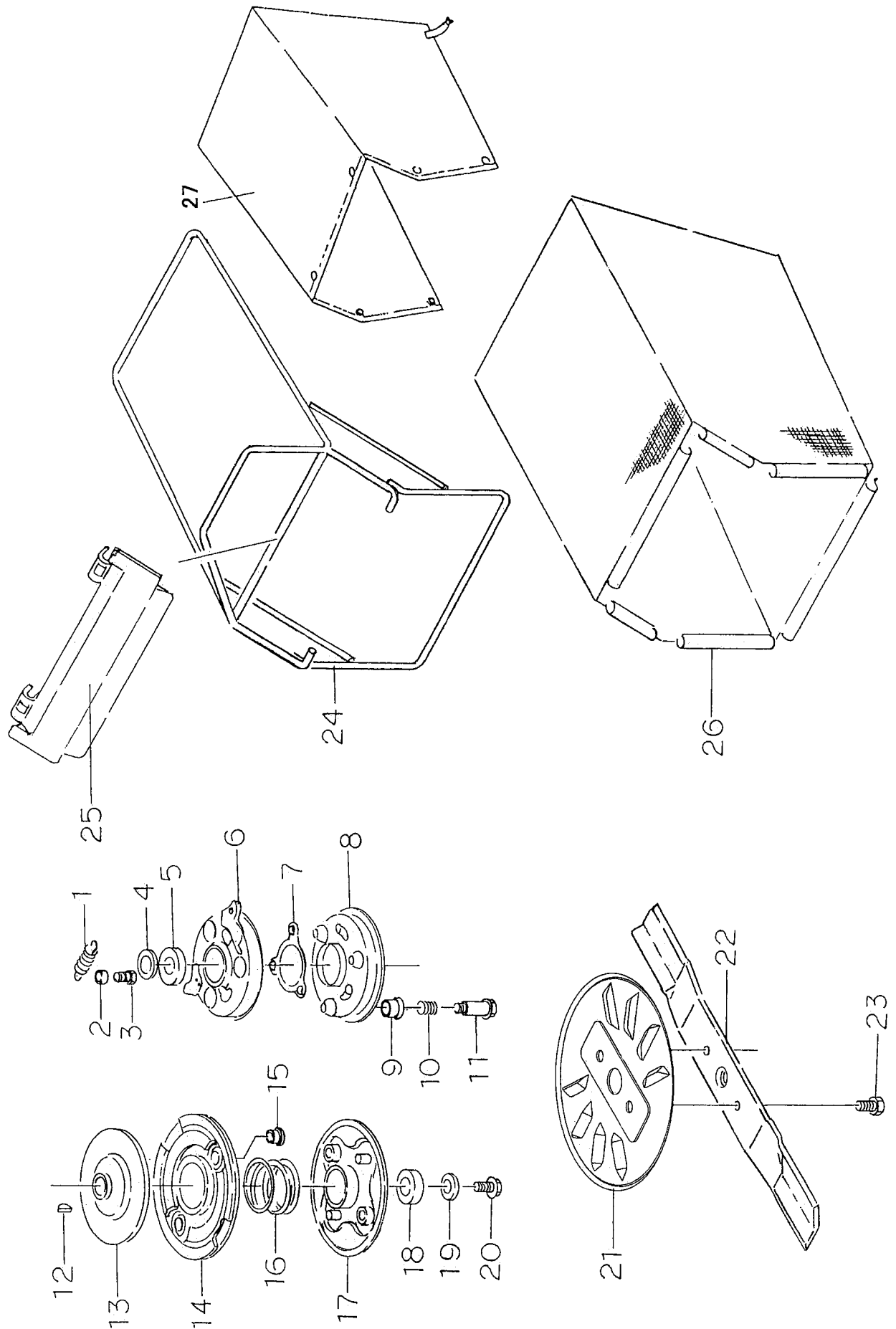
Fig. 5 Handle



# Fig.5 Handle

Ref.	Parts No.	Parts Name	Quantity	Remarks
			GRH535	
			PRO (2Action) GXV160	
1	80-1020-228-10	Knob Nut M8	2	
2	80-1020-231-00	Control Cover	1	
3	80-1020-243-00	Driving Lever, Metal	4	
4	80-1020-262-00	Control Lever Shaft	1	
5	80-1020-263-00	Control Lever Shaft Spring	1	
6	80-1020-264-00	Control Washer	1	
7	80-1020-265-00	Throttle Lever (H)	1	
8	80-1021-252-00	Blade Wire Arm	1	
9	80-1021-253-00	Roller	1	
10	80-1021-968-00	Blade Spring (VB)	1	
11	80-1022-254-00	Inner Pipe 13.8*30	1	
12	80-1022-966-10	Driving Clutch Spring	2	
13	80-1035-162-00	Differential Lock Return Spring	1	
14	83-1020-177-00	Push Nut 8	1	
15	0276-70700	Driving Clutch Wire	1	
16	0208-70400-01	Driving Change Wire	1	
17	83-1020-955-00	Throttle Wire (H)	1	
18	83-1920-425-00	Lever Grip KP204	1	
19	89-1139-060163	Hexagonal Bolt (PWSW) M6*16	1	
20	89-1161-050123	Tapping Screw 5*12	2	
21	89-1213-080203	Mini Hexagonal Bolt (8T) M8*20	2	
22	89-1213-080503	Mini Hexagonal Bolt (8T) M8*50	1	
23	89-1239-080302	Mini Hexagonal Bolt (PWSW) M8*3	1	
24	89-1412-080403	Handle Setting Bolt M8*40	2	
25	89-1571-080043	Cap Nut M8	5	
26	89-1611-080043	Mini Hexagonal Nut M8	1	
27	89-1711-060002	Flat Washer 6	1	
28	89-1711-120003	Flat Washer 12	1	
29	89-1713-080003	Flat Washer 8 (large)	9	
30	89-1750-080003	Spring Washer 8	5	
31	89-2132-060002	Snap Pin 6 (with stopper)	1	
32	89-2181-060222	Flat Head Pin 6*22	1	
33	89-2521-000050	E Type Ring 5	2	
34	0207-72600	Lever Grip 8 (black)	1	
35	0230-10400	Lock Lever	1	
36	0230-10500	Lock Lever Shaft CMP	1	
37	0230-70700	Spring for Lock Lever Return	1	
38	0276-10100	Change Lever CMP	1	
39	0276-10300	Blade Clutch Lever	1	
40	0276-10400	Driving Clutch Lever	1	
41	0276-10500	Bolt for Change Lever Setting	1	
42	0276-10600	Wire Guide	1	
43	0276-10800	Hook	1	
44	0276-10900	Collar	1	
45	0276-11100	Upper Handle	1	
46	0276-11300	Spring for Hook Return	1	
47	0278-10200	Handle Setting	2	
48	0278-71100	Blade Wire V	1	

Fig. 6 Blade and Bag



# Fig 6 Blade and Bag

Ref.	Parts No.	Parts Name	Quantity	Remarks
			GRH535	
			PRO (2Action) GXV160	
1	80-1020-871-00	Clutch Return Spring (H)	2	
2	80-1020-872-00	Collar (H)	2	
3	83-1020-148-00	Tapping Bolt M6*14	2	
4	80-1020-874-00	Thrust Washer (H)	1	
5	80-1020-875-00	Ball Bearing (H)	1	
6	80-1020-876-00	Blade (H) Assy	1	
7	80-1020-877-00	Ball Retainer (H)	1	
8	80-1020-878-00	Blade Disc (H) Assy	1	
9	80-1020-879-00	Bush (H)	3	
10	80-1020-881-00	Spring (H)	3	
11	80-1020-882-00	Blade Setting Bolt (H)	3	
12	80-1020-892-00	Woodruff Key 4*16	1	
13	80-1020-883-00	Drive Disc (H)	1	
14	80-1020-884-00	Driven Disc (H) Assy	1	
15	80-1020-885-00	Bush (H)	2	
16	80-1020-886-00	Clutch Spring (H)	1	
17	80-1020-887-00	Ball Control Plate (H) Assy	1	
18	80-1020-888-00	Ball Bearing (H)	1	
19	83-1020-323-00	Washer 10*30*4.5	1	
20	89-1254-100252	Flange Mini Hexagonal Bolt M10*25	1	
21	0222-50100	BBC Cover CMP	1	
22	80-1020-821-10	Blade 530	1	
23	89-1254-100252	Flange Mini Hexagonal Bolt M10*25	2	
24	0278-20100	Bag Flame	1	
25	80-1022-854-00	Bag Plate	1	
26	0230-70400	Bag C	1	
	80-1022-856-00	Bag C (with Hook)		(option)
27	0230-71400	Dustproof Cover		(option)