

# **Parts catalogue**

## **LAWN MOWER**

**(EXPORT MODEL)**

**GR537(2Action)**

**GR538(2Action)**

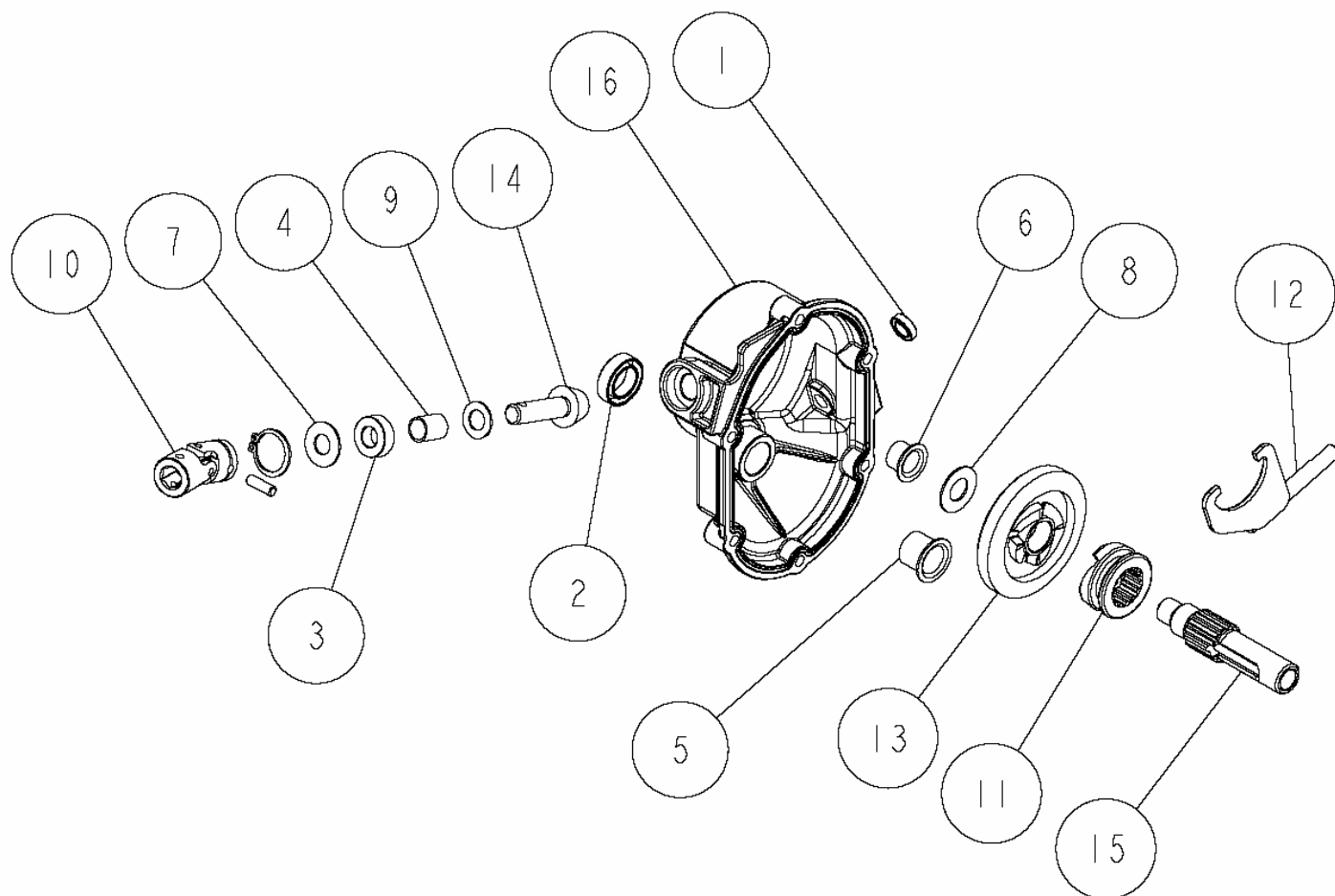
<b>MODEL</b>	<b>CODE</b>
<b>GR537</b>	<b>0268 -</b>
<b>GR538</b>	<b>0270 -</b>

### **CONTENTS**

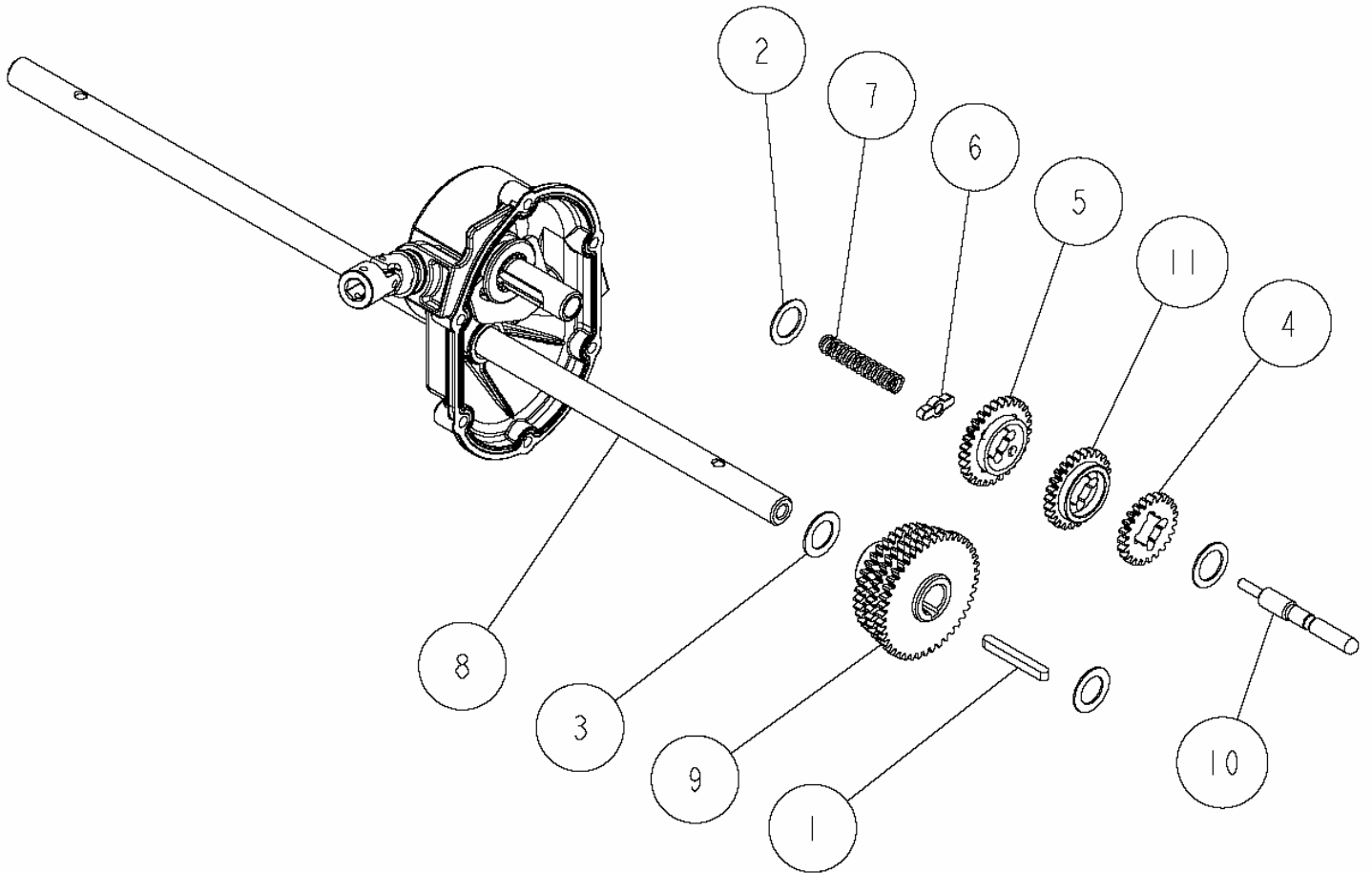
<b>TRANSMISSION</b>	-----	<b>1</b>
<b>SAFETY COVER</b>	-----	<b>5</b>
<b>DRIVE GR537</b>	-----	<b>7</b>
<b>DRIVE GR538</b>	-----	<b>12</b>
<b>HANDLE</b>	-----	<b>14</b>
<b>BLADE AND BAG</b>	-----	<b>17</b>
<b>BBC</b>	-----	<b>18</b>
<b>LABEL</b>	-----	<b>19</b>

**OREC CO.,LTD**

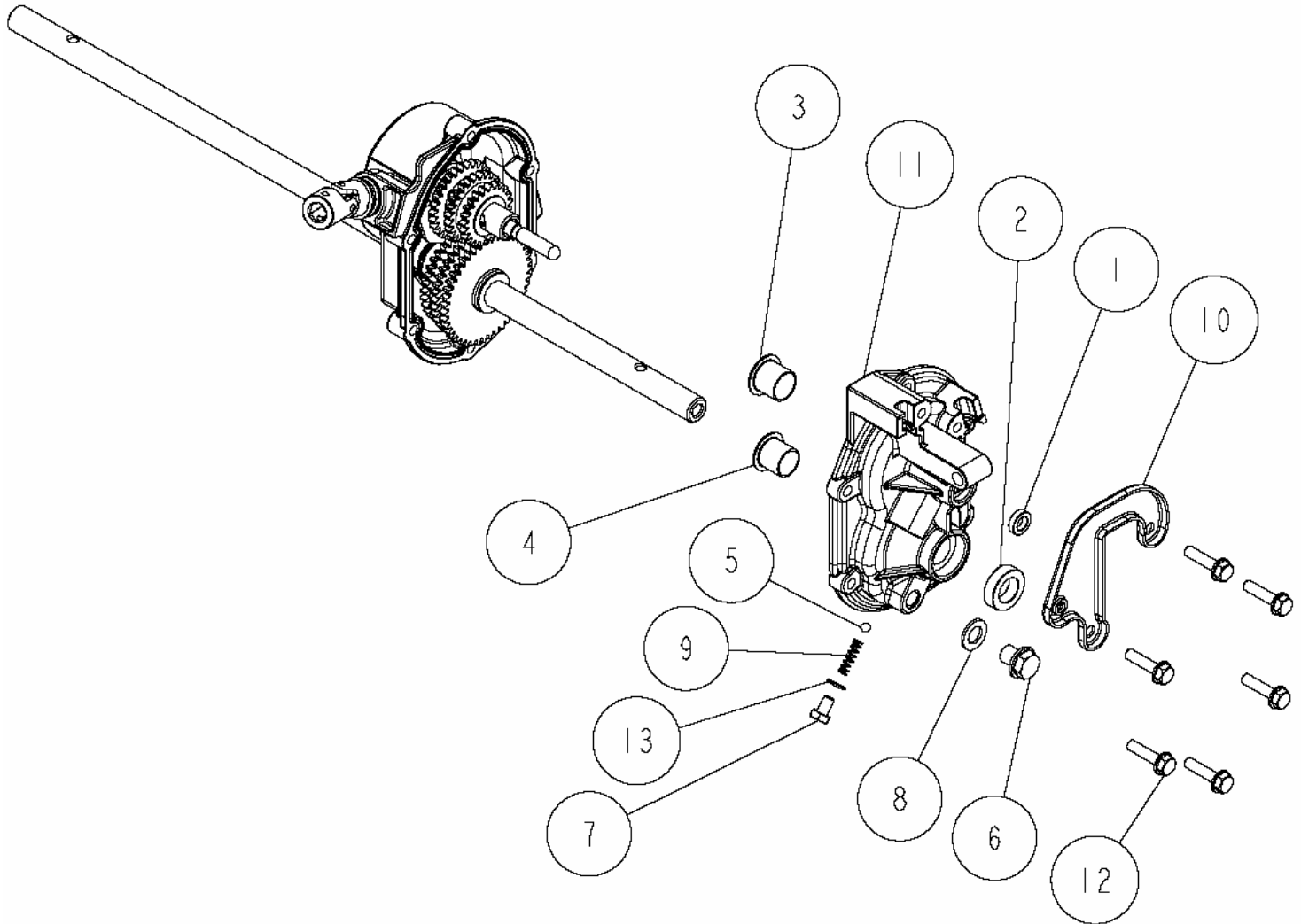
*Update : February 2012*



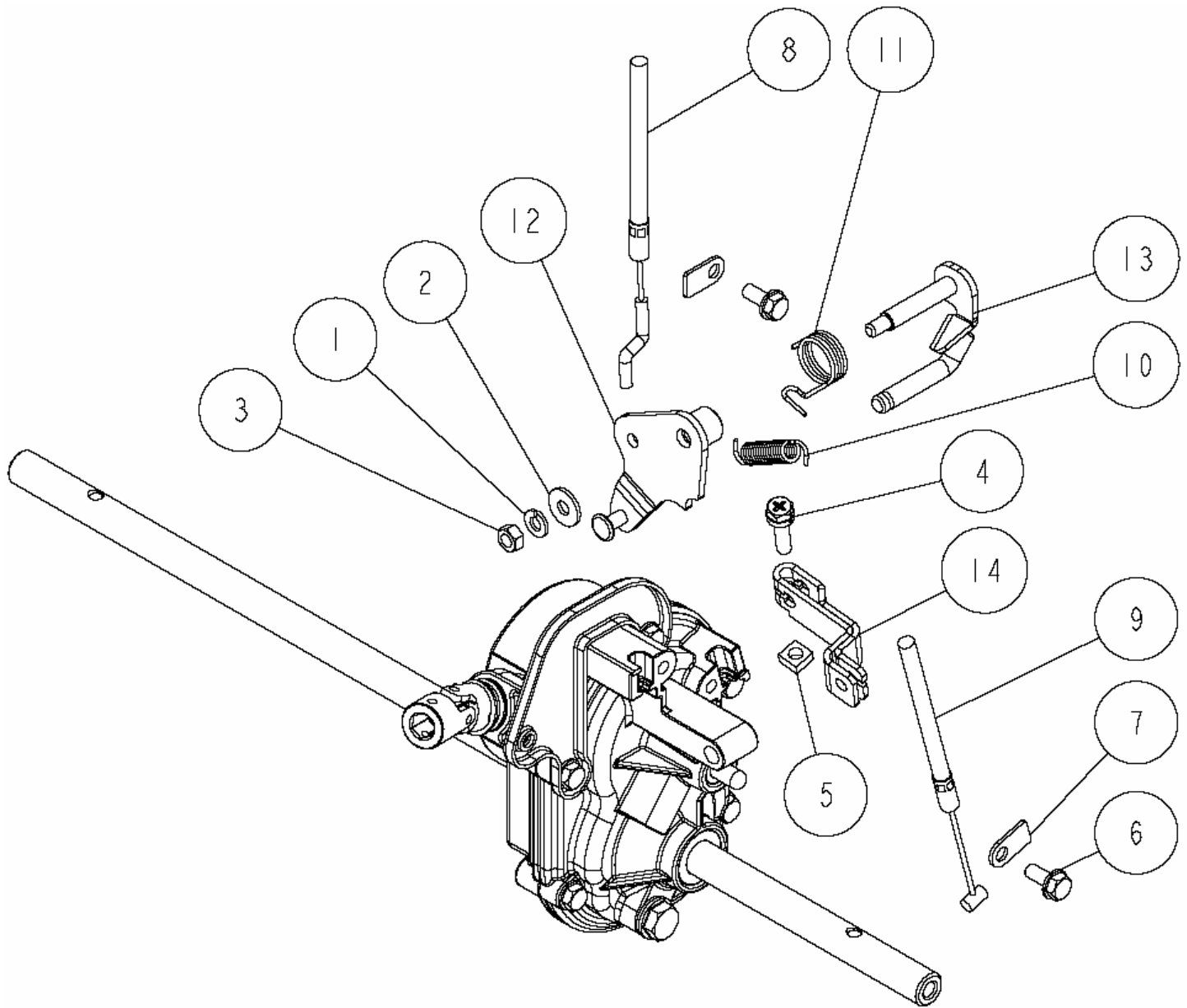
Ref.	Paets Number	Paets Name	Quantity			Remarks
			GR537	GR537S	GR538	
1	89-5131-081404	Oil Seal KE 8.14.4	1	1	1	
2	89-5121-152507	Oil Seal UE 15.25.7	1	1	1	
3	89-5121-102007	Oil Seal UE 10.20.7	1	1	1	
4	89-3512-010150	DBB Bush 10.15	1	1	1	
5	89-3511-015150	DU Bush 15.15.23F	1	1	1	
6	89-3511-012100	DU Bush 12.10.20F	1	1	1	
7	83-1210-352-00	Thrust Washer 10*22*1.0	1	1	1	
8	83-1020-355-00	Thrust Washer 12*24*1.0	1	1	1	
9	83-1020-351-00	Thrust Washer 10*18*1.0	1	1	1	
10	80-1020-515-00	Universal Joint NC-10-37C1	1	1	1	
11	80-1020-119-10	Clutch for Driving	1	1	1	
12	80-1020-113-10	Clutch Fork	1	1	1	
13	0278-00500	Bevel Gear 53-tooth	1	1	1	
14	0278-00400	Pinion Bevel	1	1	1	
15	0268-00300	Main Shaft (3 speed type)	1	1	1	
16	0268-00100	Gear Case (Inside) (3 speed type)	1	1	1	



Ref.	Paets Number	Paets Name	Quantity			Remarks
			GR537	GR537S	GR538	
1	89-2150-050430	Key 5*43 (round)	1	1	1	
2	83-1020-363-00	Thrust Washer 16*24*1.0	2	2	2	
3	83-1020-361-00	Thrust Washer 15*24*1.0	2	2	2	
4	80-1020-123-10	Gear (Low)	1	1	1	
5	80-1020-121-10	Gear (High)	1	1	1	
6	80-1020-108-00	Change Guide	1	1	1	
7	0268-70200	Driving Shift Spring	1	1	1	
8	0268-01200	Rear Axle (Key Type)	1	1	1	
9	0268-00600	Axle Gear (Key Type)	1	1	1	
10	0268-00500	Driving Change Shaft	1	1	1	
11	0268-00400	Gear 26T	1	1	1	

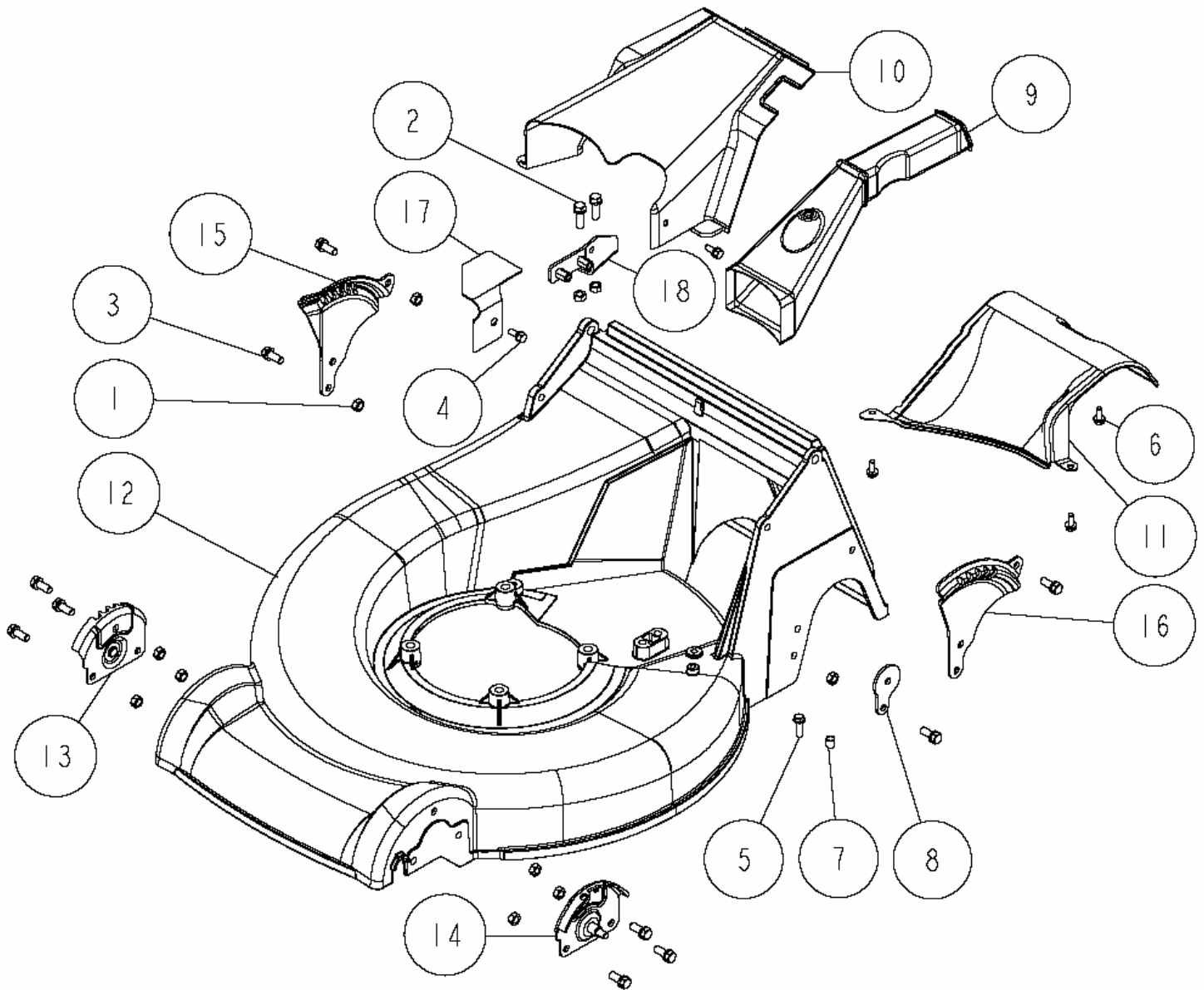


Ref.	Paets Number	Paets Name	Quantity			Remarks
			GR537	GR537S	GR538	
1	89-5131-081404	Oil Seal KE 8.14.4	1	1	1	
2	89-5121-152507	Oil Seal UE 15.25.7	1	1	1	
3	89-3511-016150	DU Bush 16.15.24F	1	1	1	
4	89-3511-015150	DU Bush 15.15.23F	1	1	1	
5	89-3410-050000	Steel Ball 5.0	1	1	1	
6	89-1254-100122	Flange Mini Hexagonal Bolt M10*12 P=	1	1	1	
7	89-1111-060103	Hexagonal Bolt M6*10	1	1	1	
8	83-1020-349-00	Copper Packing 10.5*18*1.6	1	1	1	
9	0268-70400	Shift Spring	1	1	1	
10	0268-00700	Lock Arm Bracket C	1	1	1	
11	0268-00200	Gear Case (Outside) (3 speed type)	1	1	1	
12	0208-73800	Hexagon Tap Tight M6*25	6	6	6	
13	0013-70800	Copper Packing 6	1	1	1	



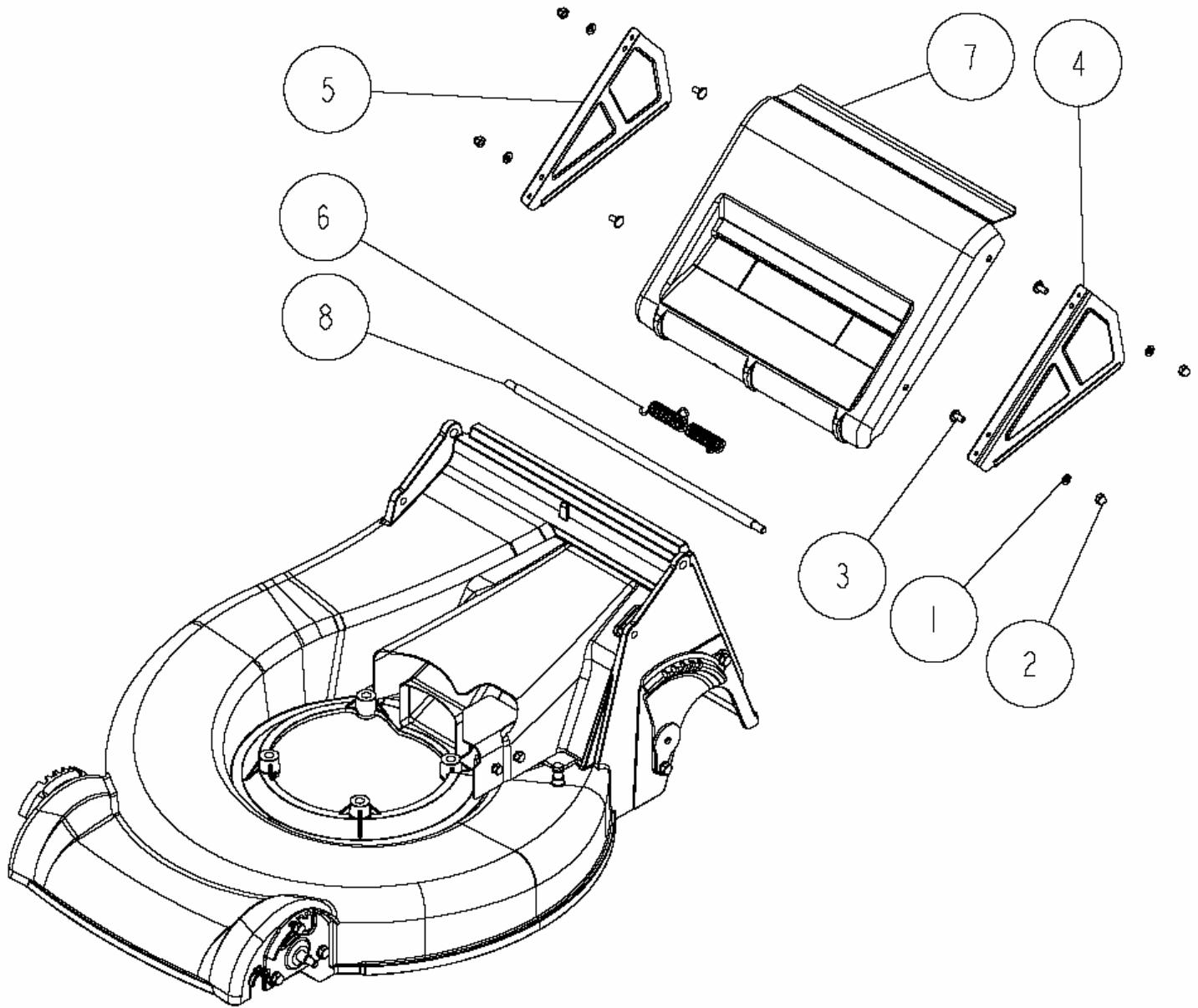
Ref.	Paets Number	Paets Name	Quantity			Remarks
			GR537	GR537S	GR538	
1	89-1750-060002	Spring Washer 6	1	1	1	
2	89-1713-060002	Flat Washer 6 (large)	1	1	1	
3	89-1511-060042	Hexagonal Nut M6	1	1	1	
4	89-1144-060253	Hexagonal Bolt with Cross Hole (PW.S	1	1	1	
5	83-1020-198-00	Square Nut M6	1	1	1	
6	83-1020-148-00	Tapping Bolt M6*14	2	2	2	
7	80-1515-186-00	Wire Holder	2	2	2	
8	<a href="#">0268-71300</a>	<a href="#">Driving Change Wire</a>	1	1	1	
9	<a href="#">0268-71200</a>	<a href="#">Driving Wire</a>	1	1	1	
10	<a href="#">0268-70300</a>	<a href="#">Change Arm Spring</a>	1	1	1	
11	<a href="#">0268-70100</a>	<a href="#">Change Arm Return Spring</a>	1	1	1	
12	<a href="#">0268-01100</a>	<a href="#">Change Arm B CMP</a>	1	1	1	
13	<a href="#">0268-00900</a>	<a href="#">Change Arm A CMP</a>	1	1	1	
14	<a href="#">0268-00800</a>	<a href="#">Clutch Arm</a>	1	1	1	

**5/20 SAFETY COVER 1/2**

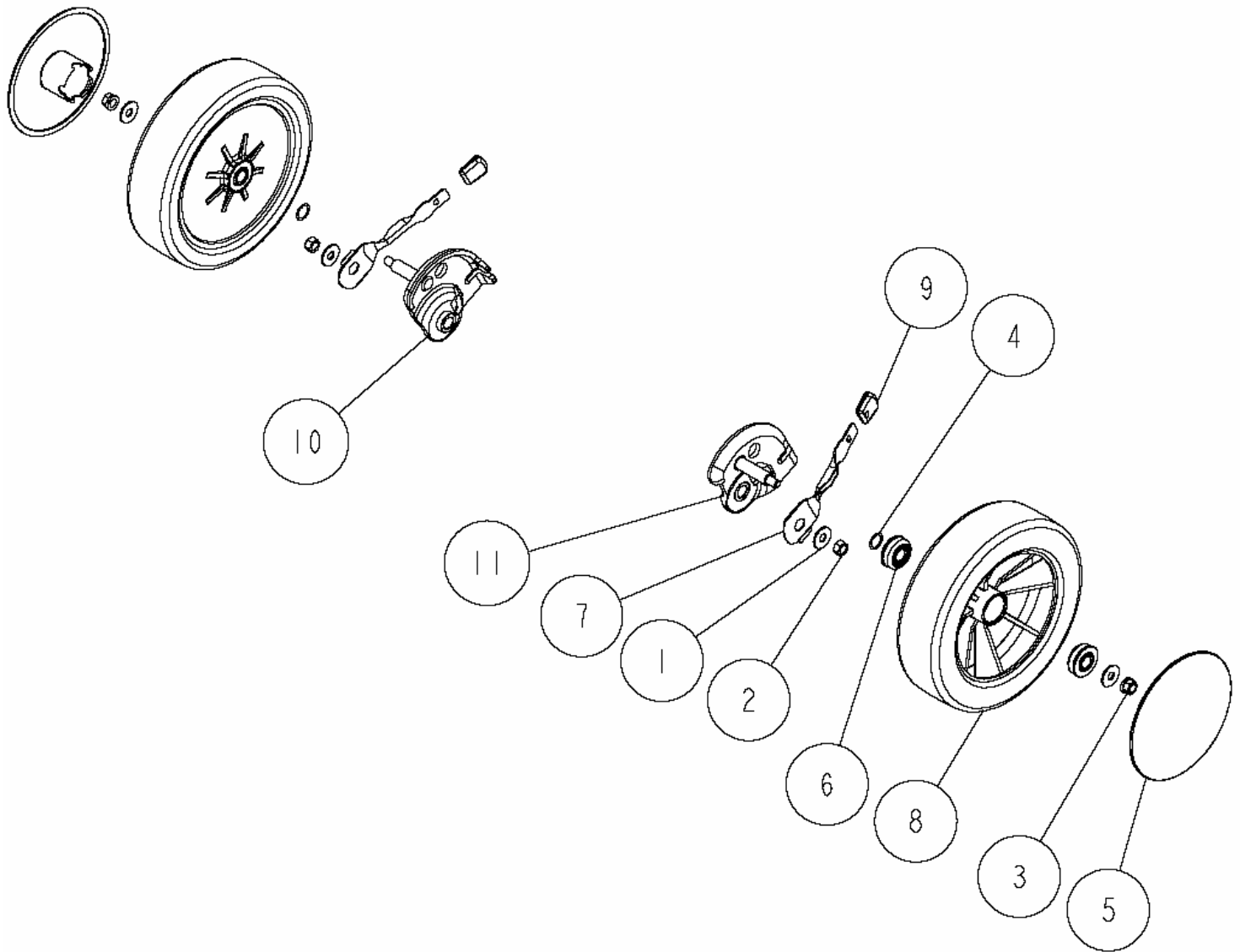


Ref.	Paets Number	Paets Name	Quantity			Remarks
			GR537	GR537S	GR538	
1	89-1611-080043	Mini Hexagonal Nut M8	10	10	5	
2	<a href="#">89-1238-080252</a>	<a href="#">Mini Hexagonal Bolt (SW) M8*25</a>	2	2	2	
3	89-1238-080203	Mini Hexagonal Bolt (SW) M8*20	10	10	3	
4	89-1139-060163	Hexagonal Bolt (PWSW) M6*16	2	2	2	
5	83-1515-148-00	Tapping Bolt M6*22			1	
6	83-1020-148-00	Tapping Bolt M6*14	3	3	3	
7	80-1024-952-00	Spacer 6*10			1	
8	0279-30300	Plate for Rear Wheel Guide			1	
9	<a href="#">0278-74300</a>	<a href="#">Discharge Duct</a>	1	1	1	
10	<a href="#">0278-74200</a>	<a href="#">Gear Case Cover</a>	1	1	1	
11	0278-50400	Guide 535	1	1	1	
12	<a href="#">0278-50110</a>	<a href="#">Cover (Body) 538</a>	1	1	1	
13	0278-30800	Front Wheel Adjusting Plate (R)	1	1		
14	0278-30700	Front Wheel Adjusting Plate (L)	1	1		
15	0278-30400	Rear Wheel Adjusting Plate (R) 8inch	1		1	
	0276-30400	Rear Wheel Adjusting Plate (R) 9inch		1		
16	0278-30300	Rear Wheel Adjusting Plate (L) 8inch	1			
	0276-30300	Rear Wheel Adjusting Plate (L) 9inch		1		
17	0268-60100	Joint Cover	1	1	1	
18	0230-60200	Lock Arm Bracket A	1	1	1	

**6/20 SAFETY COVER 2/2**



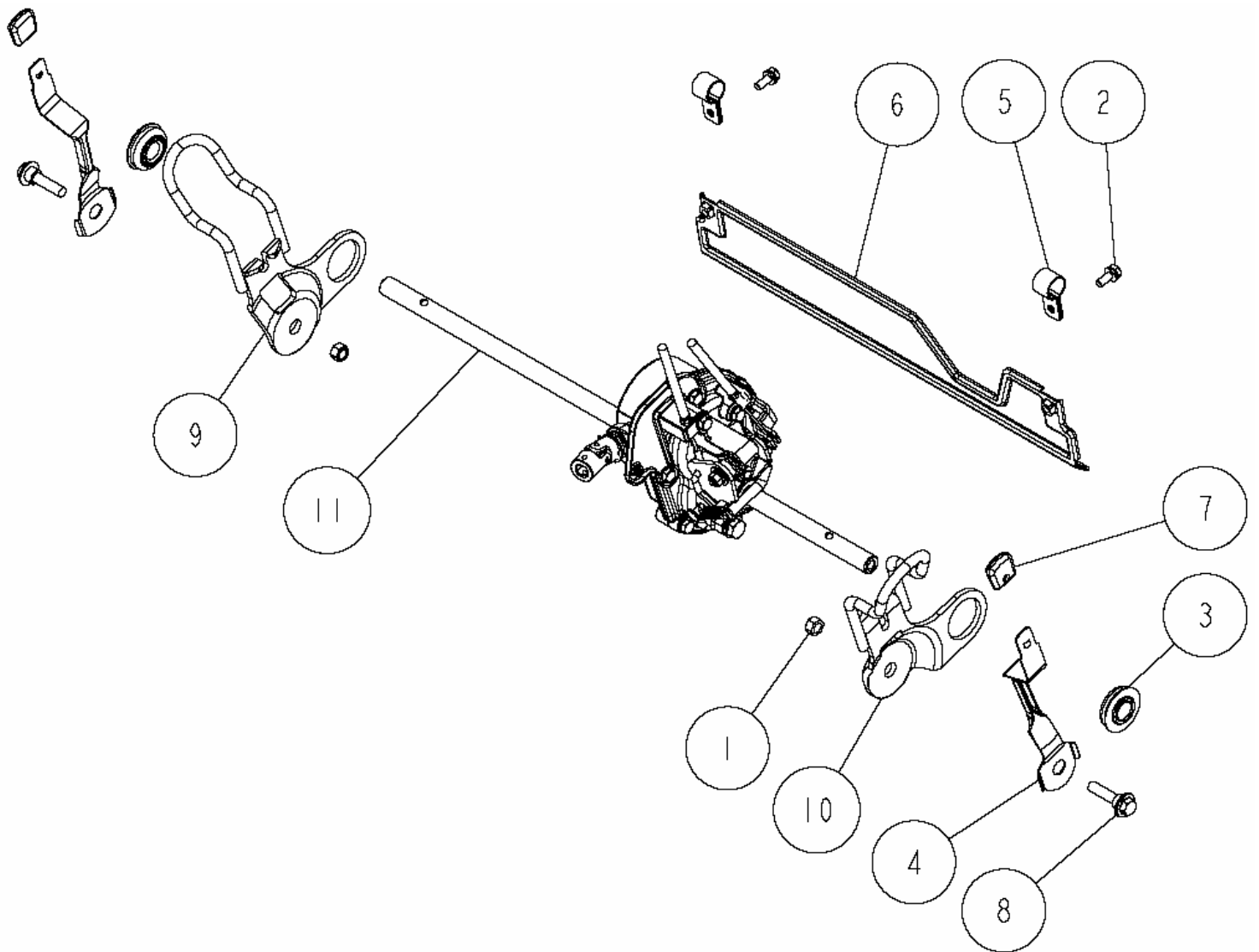
Ref.	Paets Number	Paets Name	Quantity			Remarks
			GR537	GR537S	GR538	
1	89-1750-060003	Spring Washer 6	4	4	4	
2	89-1671-060043	Cap Nut M6	4	4	4	
3	89-1390-060123	Welded Bolt M6*12	4	4	4	
4	80-1020-755-20	Side Plate (Right)	1	1	1	
5	80-1020-754-20	Side Plate (Left)	1	1	1	
6	80-1020-753-00	Rear Cover Spring	1	1	1	
7	0278-50800	Rear Cover	1	1	1	
8	0278-20700	Rear Cover Shaft	1	1	1	



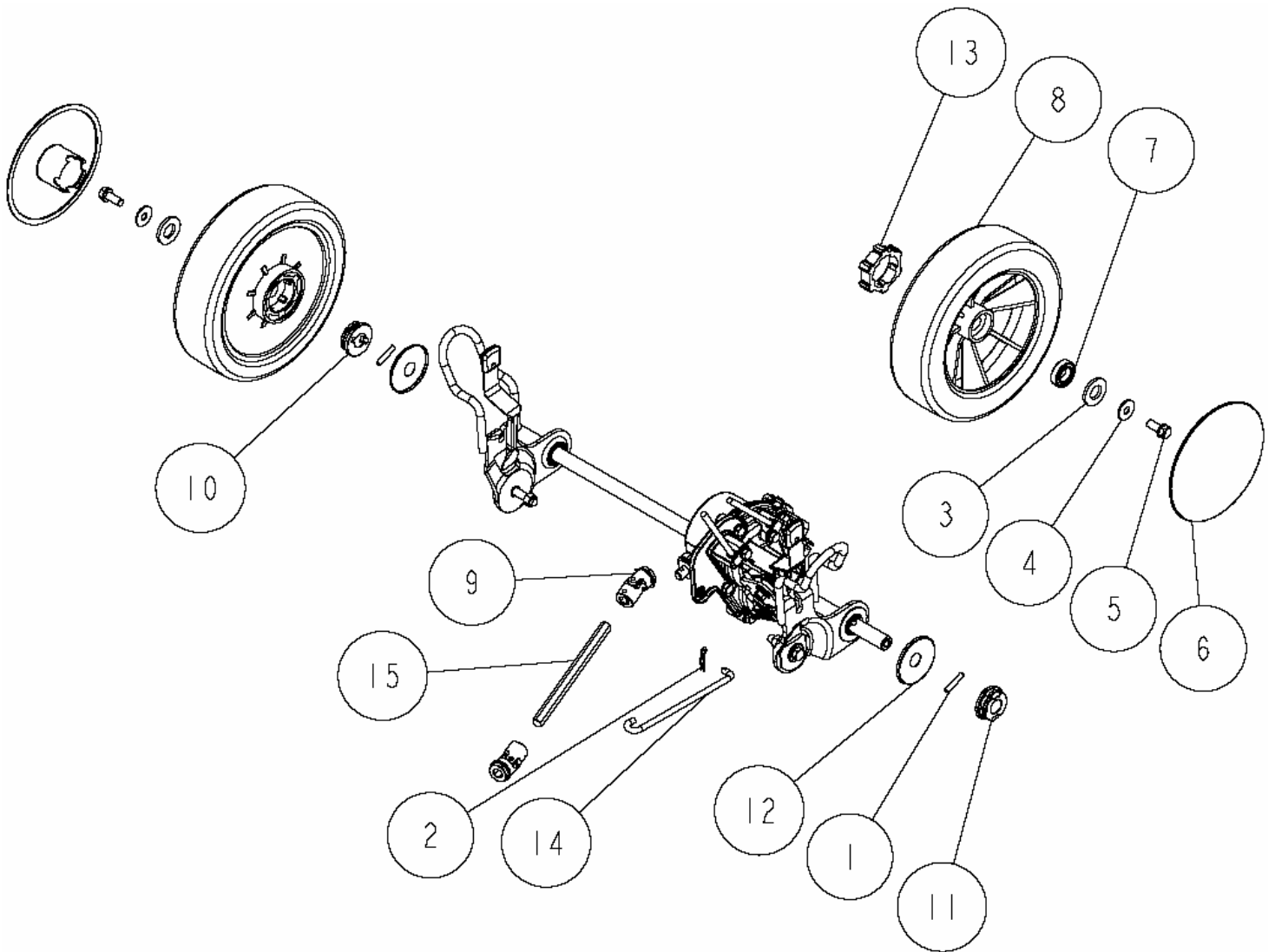
Ref.	Paets Number	Paets Name	Quantity			Remarks
			GR537	GR537S	GR538	
1	89-1713-080003	Flat Washer 8 (large)	4			
2	89-1561-080003	Mini Hexagonal U Nut M8	2			
3	89-1543-080003	Mini Hexagonal Nut (SW) M8	2			
4	83-1022-369-00	Wave Washer 12	2			
5	80-1022-441-00	Wheel Cap	2			
6	80-1022-431-00	Bearing KL-4.12	4			
7	80-1022-424-00	Front Wheel Arm Stopper	2			
8	80-1022-407-00	Front Wheel	2			
9	80-1020-426-10	Adjuster Grip	2			
10	0278-31600	Front Wheel Arm (R)	1			
11	0278-31500	Front Wheel Arm (L)	1			
6,8	80-1022-421-00	Front Wheel Assy	2			



8/20 DRIVE GR537.537(S) 2/3

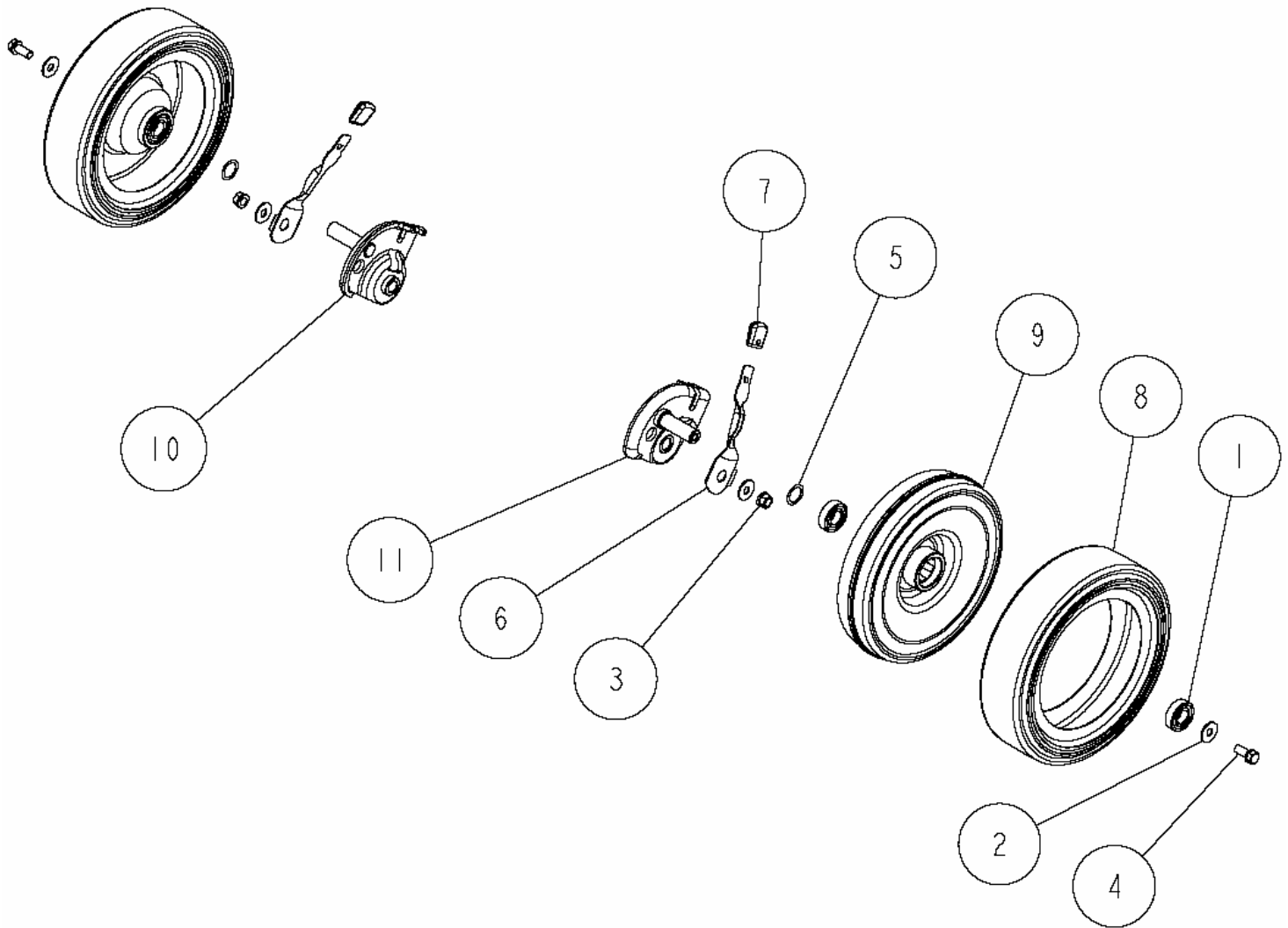


Ref.	Paets Number	Paets Name	Quantity			Remarks
			GR537	GR537S	GR538	
1	89-1561-080003	Mini Hexagonal U Nut M8	2	2		
2	89-1133-060163	Hexagonal Bolt (PWSW) M6*16	2	2		
3	83-1020-987-00	Bearing ND-02S	2	2		
4	80-1022-425-00	Rear Wheel Arm Stopper	2	2		
5	80-1020-793-10	Flapper Setting	2	2		
6	80-1020-792-00	Flapper	1	1		
7	80-1020-426-10	Adjuster Grip	2	2		
8	0278-70700	Arm Bolt	2	2		
9	0268-31400	Rear Wheel Arm CMP (R) 537	1	1		
10	0268-31300	Rear Wheel Arm CMP (L) 537	1	1		
11	0268-01000	Gear Case Assy (3 speed type)	1	1		



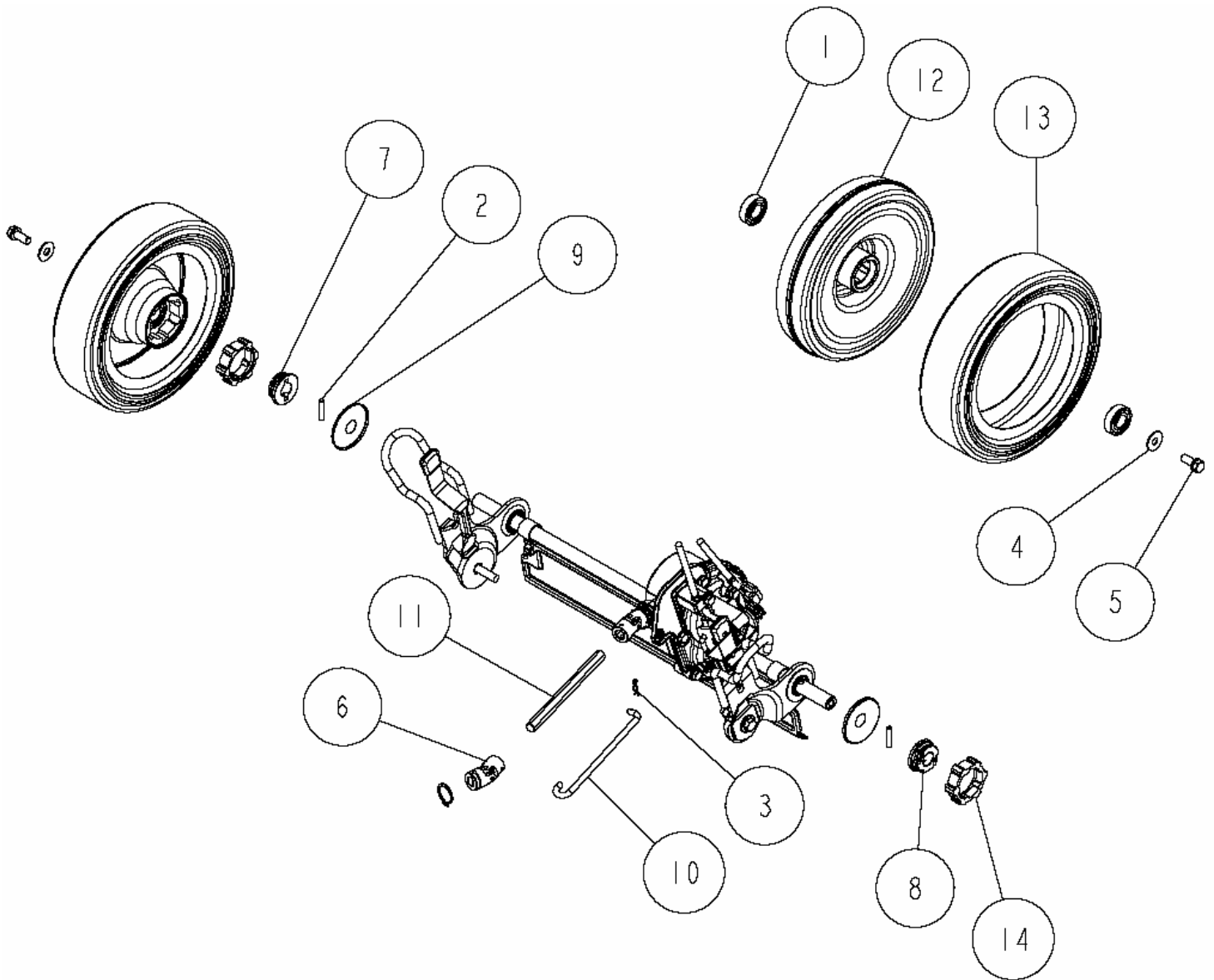
Ref.	Paets Number	Paets Name	Quantity			Remarks
			GR537	GR537S	GR538	
1	89-2142-050250	Parallel Pin 5*25	2			
2	89-2131-080002	Snap Pin 8	1			
3	89-1714-140002	Washer 15.5*30*3.2	2			
4	89-1713-080003	Flat Washer 8 (large)	2			
5	89-1238-080202	Mini Hexagonal Bolt (SW) M8*20	2			
6	80-1022-441-00	Wheel Cap	2			
7	80-1022-432-10	Bearing 6902 ZZ	2			
8	80-1022-408-10	Rear Wheel	2			
9	80-1020-515-00	Universal Joint NC-10-37C1	1			
10	80-1020-459-00	Ratchet Assembly (Right)	1			
11	80-1020-458-00	Ratchet Assembly (Left)	1			
12	80-1020-433-00	Coned Disc Spring	2			
13	80-1020-409-00	Clutch Guide	2			
14	0278-50900	Lock Arm	1			
15	0278-00200	Drive Shaft 140L	1			
7,8,13	80-1022-422-10	Rear Wheel Assy	2			

**10/20 DRIVE GR537(S) 1/2**



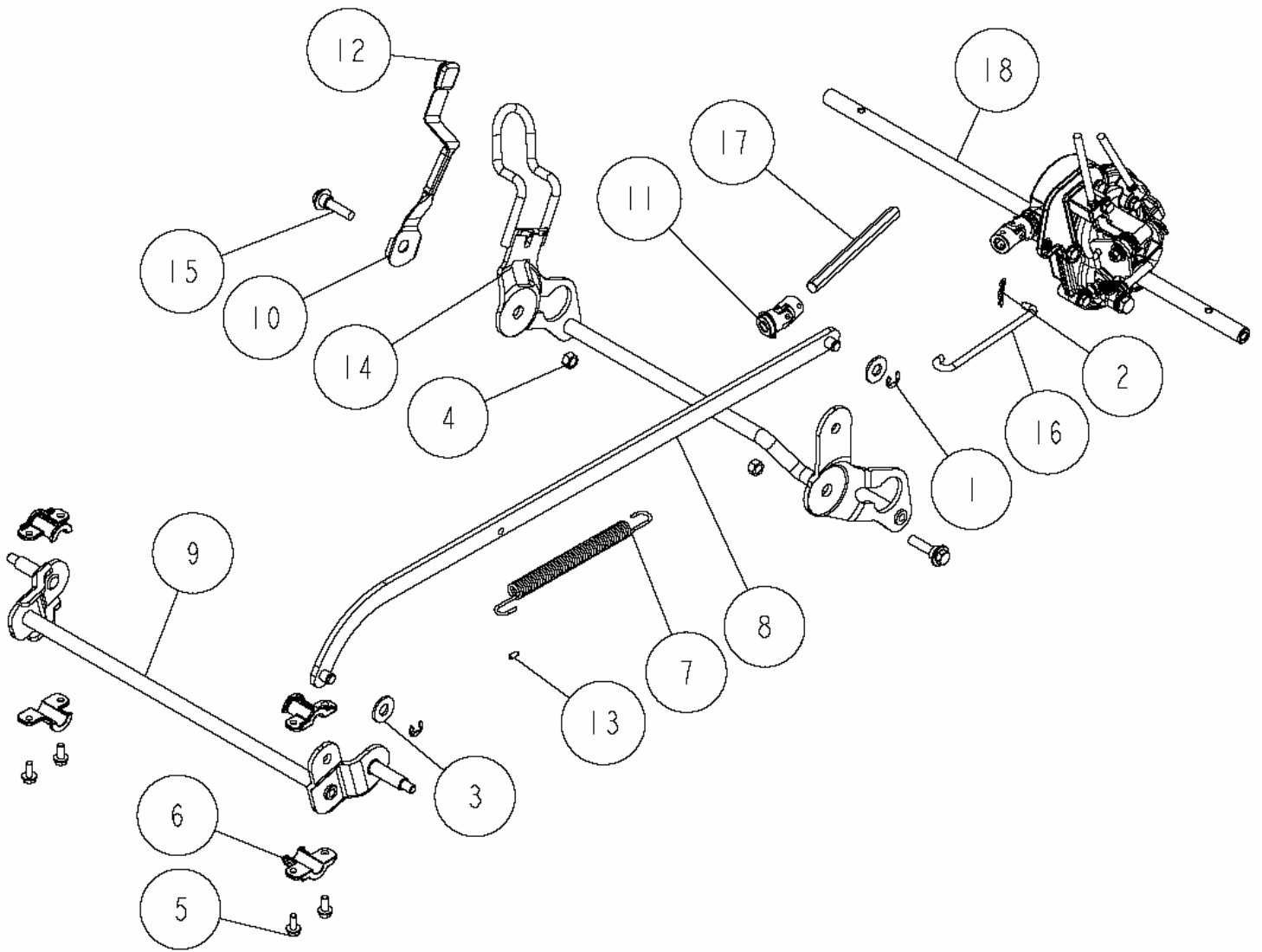
Ref.	Paets Number	Paets Name	Quantity			Remarks
			GR537	GR537S	GR538	
1	89-3115-060024	Bearing 6002 2RS		4		
2	89-1713-080003	Flat Washer 8 (large)		4		
3	89-1543-080003	Mini Hexagonal Nut (SW) M8		2		
4	89-1238-080203	Mini Hexagonal Bolt (SW) M8*20		2		
5	83-1020-359-00	Wave Washer 16		2		
6	80-1022-424-00	Front Wheel Arm Stopper		2		
7	80-1020-426-10	Adjuster Grip		2		
8	0268-30800	8 inch Tire (M.R.E)		2		
9	0268-30600	Aluminum Front Wheel (M.R.E)		2		
10	0268-31200	Front Wheel Arm CMP (R) 537PRO		1		
11	0268-31100	Front Wheel Arm CMP (L) 537PRO		1		
1,8,9	0268-30100	Aluminum Front Wheel Assy (8 inch)		2		

**11/20 DRIVE GR537(S) 2/2**



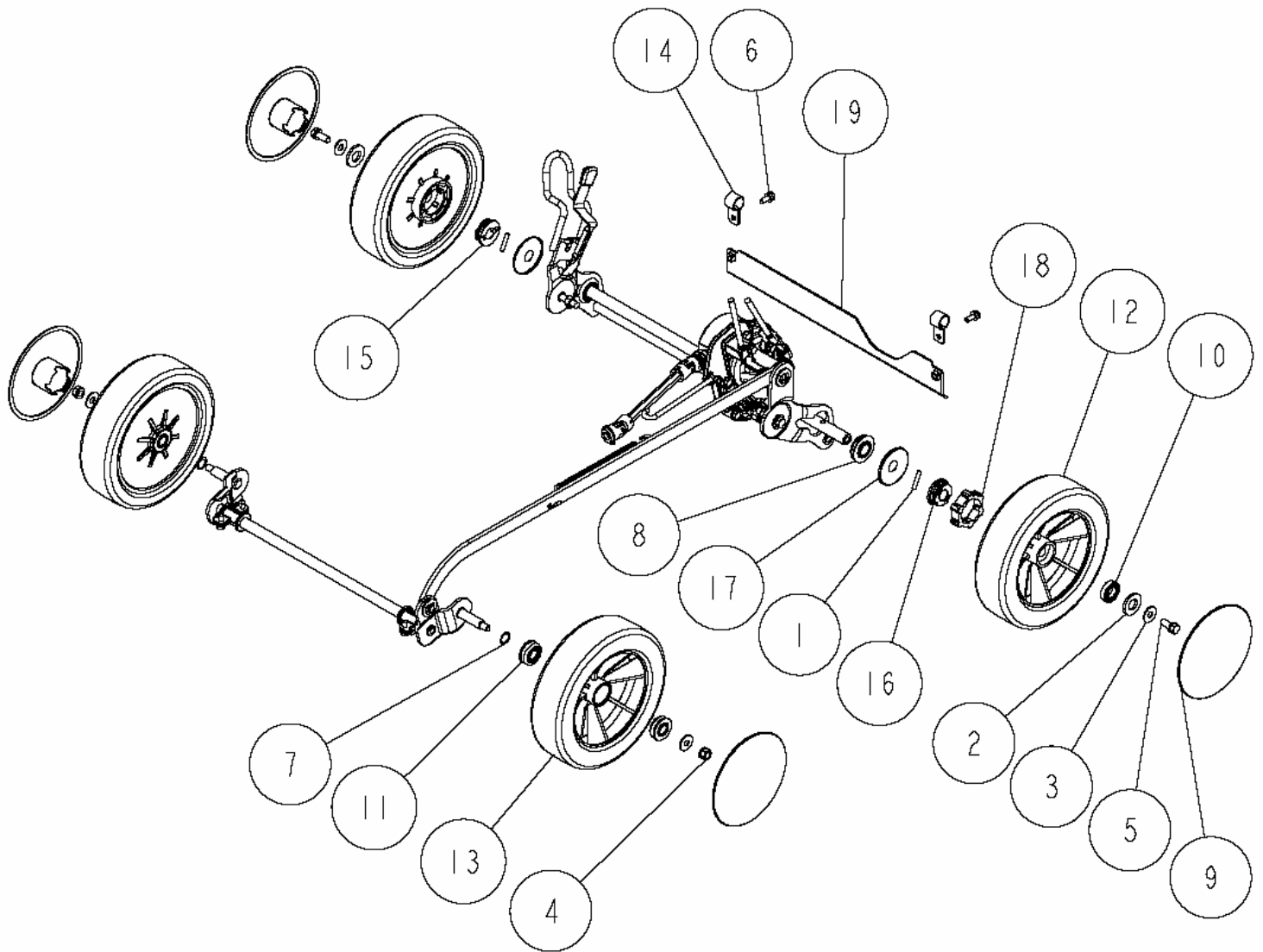
Ref.	Paets Number	Paets Name	Quantity			Remarks
			GR537	GR537S	GR538	
1	89-3115-060024	Bearing 6002 2RS		4		
2	89-2142-050250	Parallel Pin 5*25		2		
3	89-2131-080002	Snap Pin 8		1		
4	89-1713-080003	Flat Washer 8 (large)		2		
5	89-1238-080203	Mini Hexagonal Bolt (SW) M8*20		2		
6	80-1020-515-00	Universal Joint NC-10-37C1		1		
7	80-1020-459-00	Ratchet Assembly (Right)		1		
8	80-1020-458-00	Ratchet Assembly (Left)		1		
9	80-1020-433-00	Coned Disc Spring		2		
10	0278-50900	Lock Arm		1		
11	0278-00200	Drive Shaft 140L		1		
12	0268-30700	Aluminum Rear Wheel (M.R.E)		2		
13	0268-30800	8 inch Tire (M.R.E)		2		
14	0268-30500	Axle Clutch Guide		2		
1,12,13	0268-30200	Aluminum Rear Wheel Assy (8 inch)		2		

12/20 DRIVE GR538 1/2

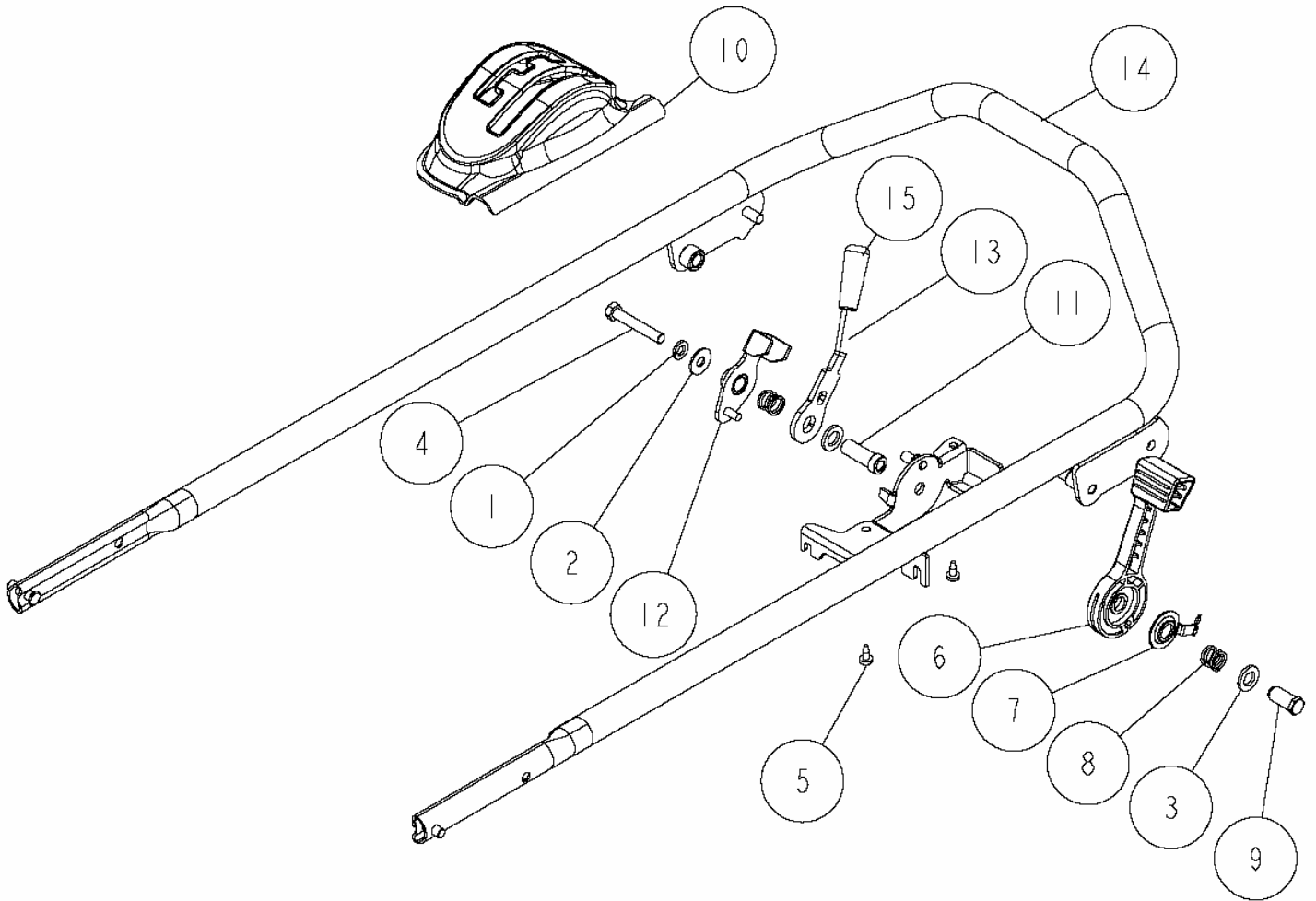


Ref.	Paets Number	Paets Name	Quantity			Remarks
			GR537	GR537S	GR538	
1	89-2521-000083	E Type Ring 8			2	
2	89-2131-080002	Snap Pin 8			1	
3	89-1713-100003	Flat Washer 10 (large)			2	
4	89-1561-080003	Mini Hexagonal U Nut M8			2	
5	83-1020-148-00	Tapping Bolt M6*14			4	
6	80-1023-742-00	Arm Bush			4	
7	80-1023-417-00	Translation Spring			1	
8	80-1023-416-10	Translation Bar			1	
9	80-1023-405-00	Front Wheel Arm			1	
10	80-1022-425-00	Rear Wheel Arm Stopper			1	
11	80-1020-515-00	Universal Joint NC-10-37C1			1	
12	80-1020-426-10	Adjuster Grip			1	
13	<a href="#">0279-73300</a>	<a href="#">End Cap</a>			<a href="#">1</a>	
14	0279-30200	Rear Wheel Arm			1	
15	0278-70700	Arm Bolt			2	
16	0278-50900	Lock Arm			1	
17	0278-00200	Drive Shaft 140L			1	
18	<a href="#">0268-01000</a>	<a href="#">Gear Case Assy (3 speed type)</a>			<a href="#">1</a>	

**13/20 DRIVE GR538 2/2**

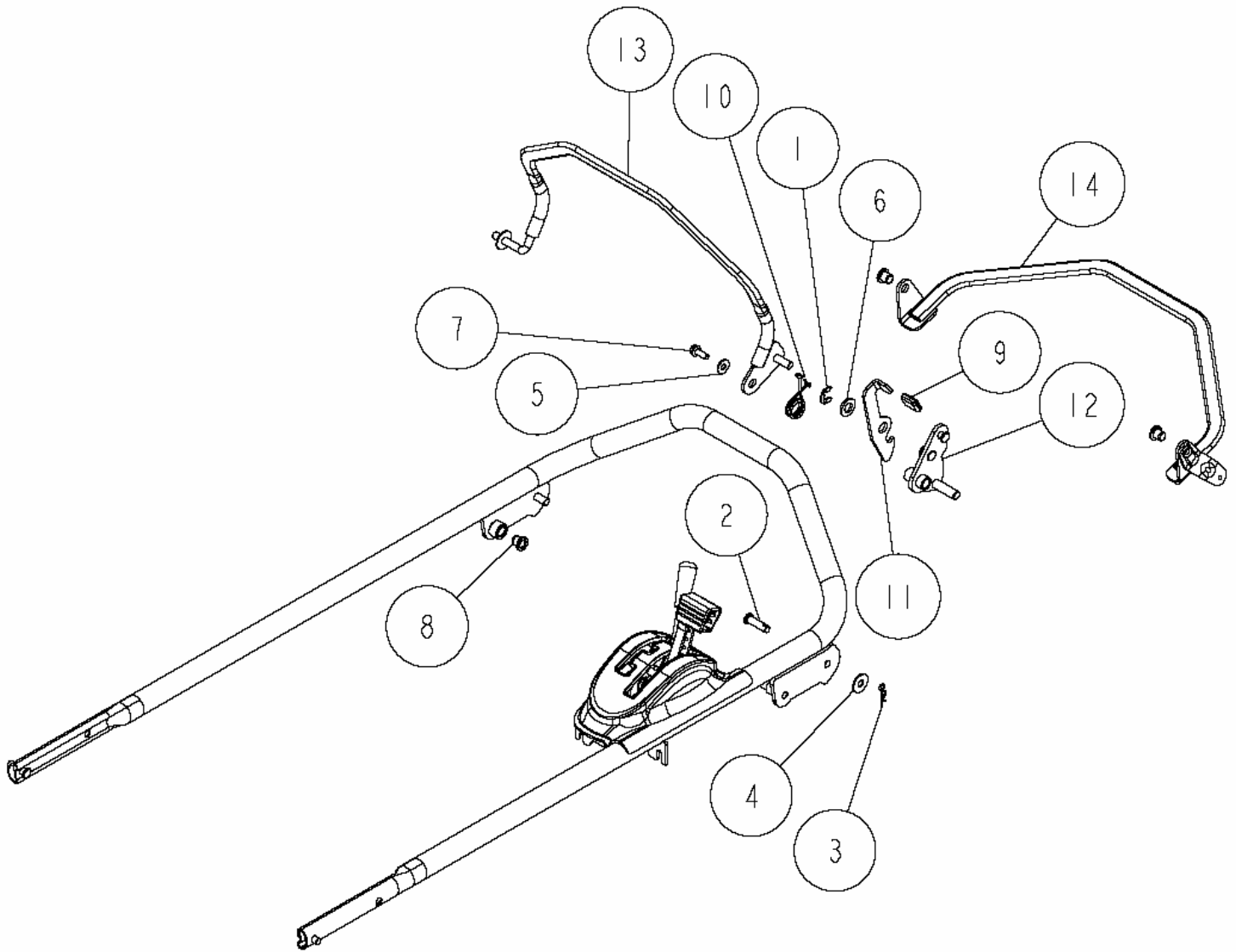


Ref.	Paets Number	Paets Name	Quantity			Remarks
			GR537	GR537S	GR538	
1	89-2142-050250	Parallel Pin 5*25			2	
2	89-1714-140002	Washer 15.5*30*3.2			2	
3	89-1713-080003	Flat Washer 8 (large)			4	
4	89-1543-080002	Mini Hexagonal Nut (SW) M8			2	
5	89-1238-080203	Mini Hexagonal Bolt (SW) M8*20			2	
6	89-1144-060163	Hexagonal Bolt with Cross Hole (PW.SW) M6*16			2	
7	83-1022-369-00	Wave Washer 12			2	
8	83-1020-987-00	Bearing ND-02S			2	
9	80-1022-441-00	Wheel Cap			4	
10	80-1022-432-10	Bearing 6902 ZZ			2	
11	80-1022-431-00	Bearing KL-4.12			4	
12	80-1022-408-10	Rear Wheel			2	
13	80-1022-407-00	Front Wheel			2	
14	80-1020-793-10	Flapper Setting			2	
15	80-1020-459-00	Ratchet Assembly (Right)			1	
16	80-1020-458-00	Ratchet Assembly (Left)			1	
17	80-1020-433-00	Coned Disc Spring			2	
18	80-1020-409-00	Clutch Guide			1	
19	0222-30100	Flapper CMP			1	
10,12,18	80-1022-422-10	Rear Wheel Assy			2	
11,13	80-1022-421-00	Front Wheel Assy			2	



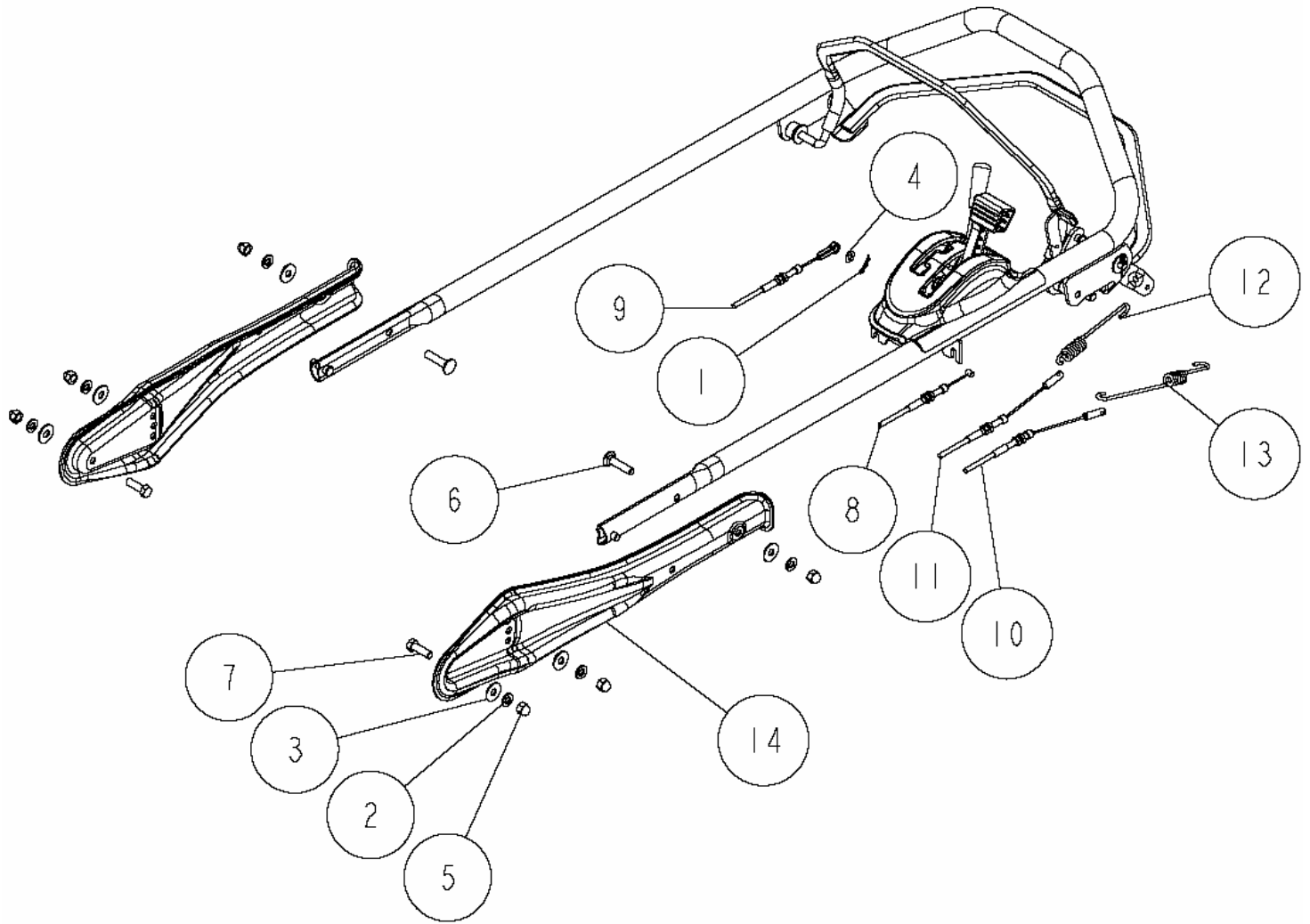
Ref.	Paets Number	Paets Name	Quantity			Remarks
			GR537	GR537S	GR538	
1	89-1750-080003	Spring Washer 8	1	1	1	
2	89-1713-080003	Flat Washer 8 (large)	1	1	1	
3	89-1711-120003	Flat Washer 12	2	2	2	
4	<a href="#">89-1213-080553</a>	<a href="#">Mini Hexagonal Bolt (8T) M8*55</a>	1	1	1	
5	89-1161-050123	Tapping Screw 5*12	2	2	2	
6	80-1020-265-00	Throttle Lever (H)	1	1	1	
7	80-1020-264-00	Control Washer	1	1	1	
8	80-1020-263-00	Control Lever Shaft Spring	2	2	2	
9	80-1020-262-00	Control Lever Shaft	1	1	1	
10	<a href="#">0268-11100</a>	<a href="#">Control Cover</a>	1	1	1	
11	<a href="#">0268-10900</a>	<a href="#">Change Lever Inner Collar</a>	1	1	1	
12	<a href="#">0268-10600</a>	<a href="#">Wire Arm CMP</a>	1	1	1	
13	<a href="#">0268-10500</a>	<a href="#">Driving Change Lever</a>	1	1	1	
14	<a href="#">0268-10100</a>	<a href="#">Upper Handle CMP (537.538)</a>	1	1	1	
15	0207-72600	Lever Grip 8 (black)	1	1	1	





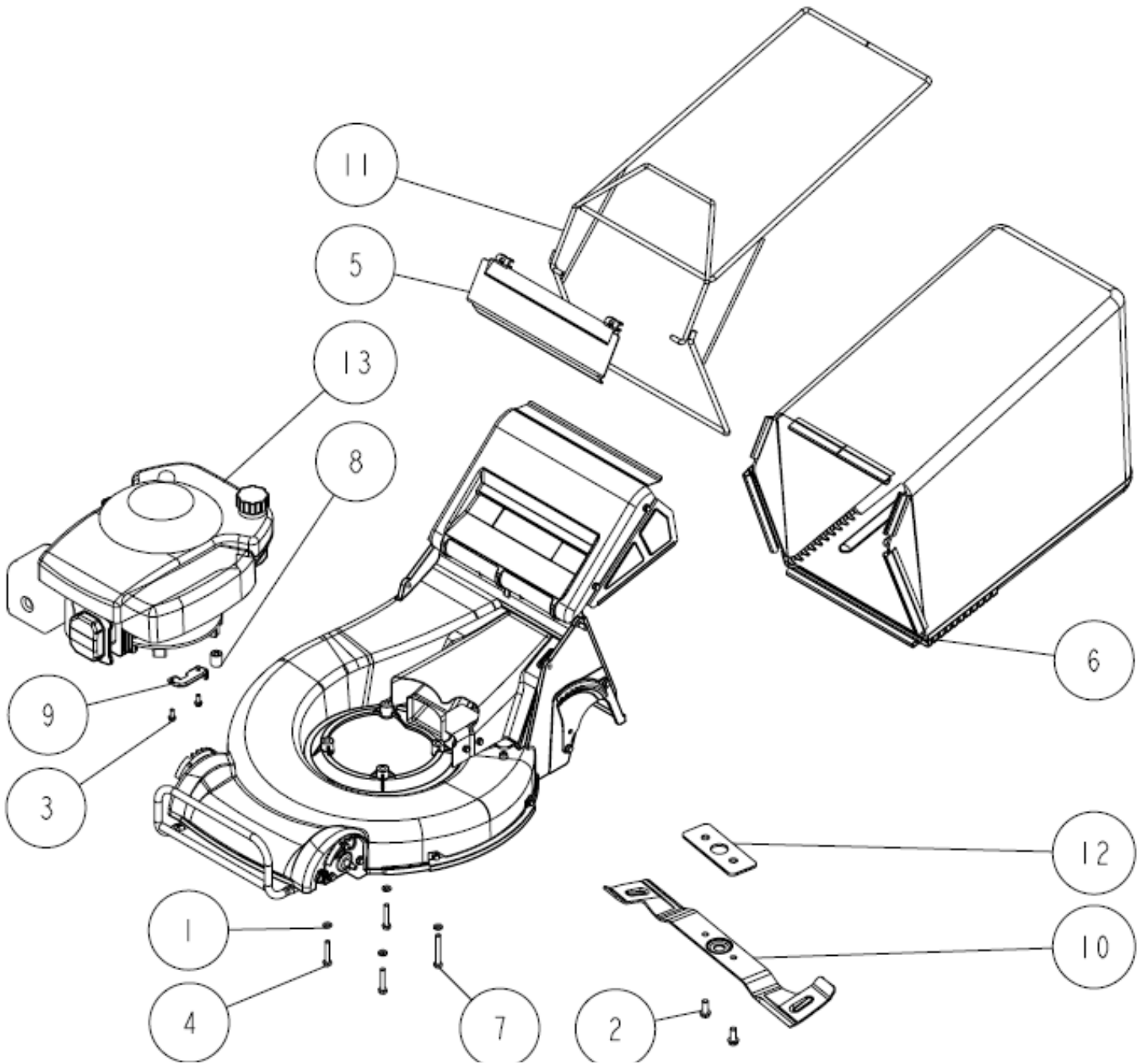
Ref.	Paets Number	Paets Name	Quantity			Remarks
			GR537	GR537S	GR538	
1	89-2521-000100	E Type Ring 10	1	1	1	
2	89-2181-080282	Flat Head Pin 8*28	1	1	1	
3	89-2131-080002	Snap Pin 8	1	1	1	
4	89-1713-080003	Flat Washer 8 (large)	1	1	1	
5	89-1713-060002	Flat Washer 6 (large)	1	1	1	
6	89-1711-120003	Flat Washer 12	1	1	1	
7	89-1135-060182	Hexagonal Bolt (SW) M6*18	1	1	1	
8	80-1020-243-00	Driving Lever, Metal	3	3	3	
9	0305-70200	Lever Cap	1	1	1	
10	0268-70500	Lock Arm Return Spring	1	1	1	
11	0268-10700	Lock Arm	1	1	1	
12	0268-10400	Clutch Arm CMP	1	1	1	
13	0268-10300	Blade Clutch Lever CMP (537.538)	1	1	1	
14	0268-10200	Driving Lever CMP (537.538)	1	1	1	



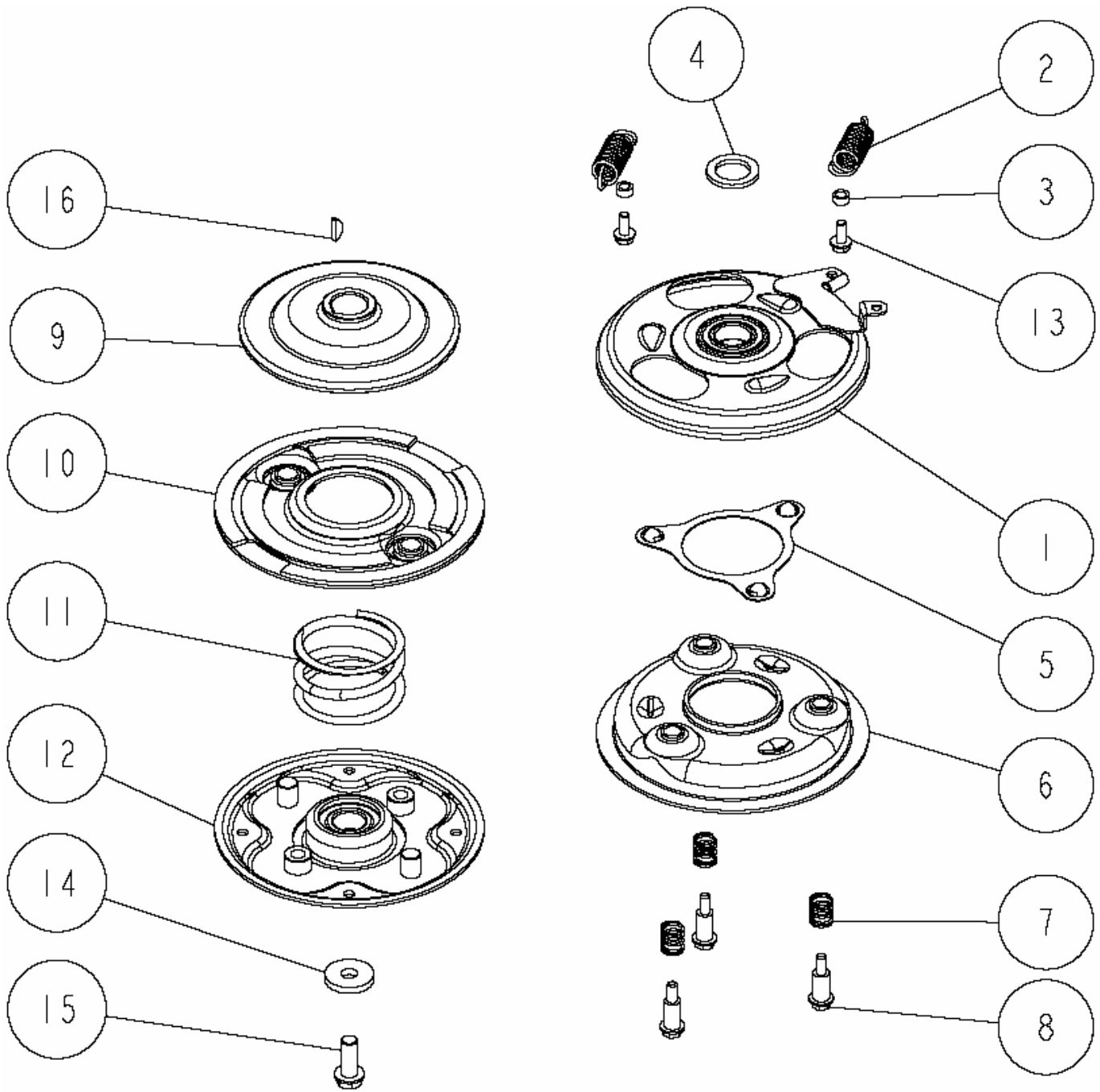


Ref.	Paets Number	Paets Name	Quantity			Remarks
			GR537	GR537S	GR538	
1	89-2131-060002	Snap Pin 6	1	1	1	
2	89-1750-080003	Spring Washer 8	6	6	6	
3	89-1713-080003	Flat Washer 8 (large)	6	6	6	
4	89-1711-060002	Flat Washer 6	1	1	1	
5	89-1671-080043	Mini Cap Nut M8	6	6	6	
6	0268-75100	Handle Setting Bolt M8*35	2	2	2	
7	89-1213-080252	Mini Hexagonal Bolt (8T) M8*25	2	2	2	
8	0268-71400	Throttle Wire	1	1	1	
9	0268-71300	Driving Change Wire	1	1	1	
10	0268-71200	Driving Wire	1	1	1	
11	0268-71100	Blade Wire	1	1	1	
12	0268-70700	Blade Spring 110	1	1	1	
13	0268-70600	Driving Clutch Spring	1	1	1	
14	0268-10800	Handle Setting	2	2	2	

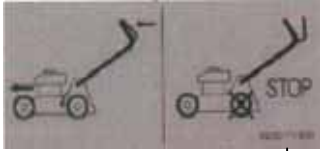
17/20 **BLADE & BAG 1/1**



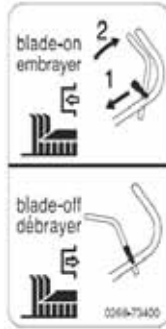
Ref.	Paets Number	Paets Name	Quantity			Remarks
			GR537	GR537S	GR538	
1	89-1750-080003	Spring Washer 8	4	4	4	
2	89-1254-100252	Flange Mini Hexagonal Bolt M10*25 P=	2	2	2	
3	89-1135-060182	Hexagonal Bolt (SW) M6*18	2	2	2	
4	83-1020-116-00	Hexagonal Bolt 5/16-24*45UNF (H)	3	3	3	
5	80-1022-854-00	Bag Plate	1	1	1	
6	0278-74100	Bag C 80	1	1	1	
	0278-77200	Bag DB 80	1	1	1	(option)
7	0278-70800	Bolt 5/16-24*63UNF (H)	1	1	1	
8	0278-50500	Collar for Engine Setting	1	1	1	
9	0278-50300	Blade Wire Setting	1	1	1	
10	0268-72100	Wing Blade	1	1	1	
11	0268-20100	Bag Frame CMP	1	1	1	
12	0230-50100	Blade Spacer 4.5H (H)	1	1	1	
13	-	Engine	1	1	1	



Ref.	Paets Number	Paets Name	Quantity			Remarks
			GR537	GR537S	GR538	
1	0278-70600	Ball Control Plate (H) Assy	1	1	1	
2	80-1020-871-00	Clutch Return Spring (H)	2	2	2	
3	80-1020-872-00	Collar (H)	2	2	2	
4	80-1020-874-00	Thrust Washer (H)	1	1	1	
5	80-1020-877-00	Ball Retainer (H)	1	1	1	
6	80-1020-878-00	Blade Disc (H) Assy	1	1	1	
7	80-1020-881-00	Spring (H)	3	3	3	
8	80-1020-882-00	Blade Setting Bolt (H)	3	3	3	
9	80-1020-883-00	Drive Disc (H)	1	1	1	
10	80-1020-884-00	Driven Disc (H) Assy	1	1	1	
11	80-1020-886-00	Clutch Spring (H)	1	1	1	
12	80-1020-887-00	Blade Holder (H) Assy	1	1	1	
13	83-1020-148-00	Tapping Bolt M6*14	2	2	2	
14	83-1020-323-00	Washer 10*30*4.5	1	1	1	
15	89-1254-100252	Flange Mini Hexagonal Bolt M10*25 P=	1	1	1	
16	89-2160-040160	Woodruff Key 4*16*6.5	1	1	1	



0230-71300



0268-73400



0268-73300



80-1020-929-00



0223-76100

Serial Number



0215-83200



0223-72910



80-1020-925-00



0268-73100



0270-70100



80-1020-933-00 80-1010-933-00



80-1020-926-00



80-1488-926-10



0278-70400

Ref.	Paets Number	Paets Name	Quantity			Remarks
			GR537	GR537S	GR538	
1	0230-71300	Driving Label	1	1	1	
2	0268-73400	Label,Blade Operation	1	1	1	
3	80-1020-929-00	Notice Label (Cover)	1	1	1	
4	0223-76100	Label, Caution (Large)	1	1	1	
5	0223-72910	Attention Mark for Slope	1	1	1	
6	80-1020-925-00	Label,Caution(small)	1	1	1	
7	80-1488-926-10	Label, Caution for Knife	1	1	1	
8	80-1020-926-00	Danger Label	1	1	1	
9	80-1010-933-00	Label, CE	1	1	1	
10	80-1020-933-00	Label, Noise 98db	1	1	1	
11	0215-83200	Label, Protection Equipment	1	1	1	
12		Serial Number	1	1	1	
13	0278-70400	Label (Large)	1	1	1	
14	0268-73300	Label,Control	1	1	1	
15	0268-73100	Label,Model GR537	1	1		
16	0270-70100	Label,Model GR538			1	